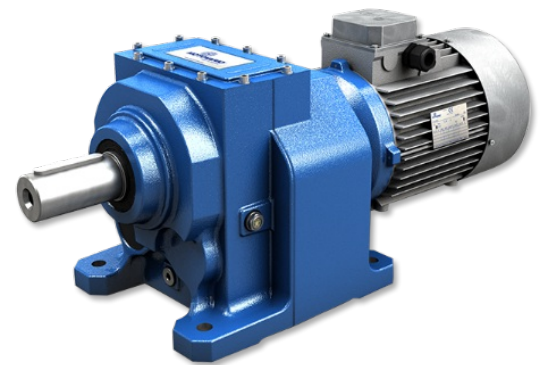


TECHNICAL CATALOGUE



HELICAL GEARED MOTORS

STANDARD **IEC**

1. GENERAL INFORMATION

| | | |
|------------|-----------------------------------|----------|
| 1.1 | SYMBOLS AND FORMULAS | 4 |
| 1.1.1 | Symbols | 4 |
| 1.1.2 | Formulas | 5 |
| 1.2 | PRODUCT SELECTION | 6 |
| 1.3 | SERVICE FACTOR | 7 |
| 1.4 | INSTALLATION | 8 |

2. PRODUCT INFORMATION

| | | |
|------------|--|-----------|
| 2.1 | DESIGN FEATURES | 9 |
| 2.2 | TYOLOGY | 10 |
| 2.2.1 | Designation | 10 |
| 2.2.2 | Versions | 11 |
| 2.2.3 | Modularity | 13 |
| 2.3 | MOUNTING POSITIONS | 15 |
| 2.3.1 | Mounting positions | 15 |
| 2.3.2 | Position of terminal box | 16 |
| 2.4 | THERMAL POWER | 17 |
| 2.4.1 | Information | 17 |
| 2.4.2 | Verification | 17 |
| 2.5 | CRITICAL APPLICATIONS | 18 |
| 2.5.1 | Critical applications | 18 |
| 2.5.2 | Information | 18 |
| 2.6 | MOTOR FLANGE AVAILABILITY | 19 |
| 2.6.1 | HA Motor flange availability | 19 |
| 2.6.2 | H Motor flange availability | 20 |
| 2.7 | OUTPUT SHAFT BEARINGS | 24 |
| 2.8 | OVERHUNG LOAD | 25 |
| 2.8.1 | Information | 25 |
| 2.8.2 | Input | 25 |
| 2.8.3 | Output | 26 |
| 2.9 | LUBRICATION | 27 |
| 2.9.1 | Information | 27 |

| | | |
|-------------|---------------------------------|-----------|
| 2.9.2 | Lubricants | 27 |
| 2.9.3 | Special lubricants | 28 |
| 2.9.4 | Quantity | 29 |
| 2.10 | MOMENTS OF INERTIA | 30 |

3. DIMENSIONS

| | | |
|------------|--|-----------|
| 3.1 | REDUCERS/GEARED MOTORS | 31 |
| 3.1.1 | HA31 | 31 |
| 3.1.2 | HA.1 | 32 |
| 3.1.3 | CHA.1 | 33 |
| 3.1.4 | IHA.1 | 34 |
| 3.1.5 | HA.2 | 35 |
| 3.1.6 | CHA.2 | 37 |
| 3.1.7 | IHA.2 | 39 |
| 3.1.8 | HA.3 | 41 |
| 3.1.9 | CHA.3 | 43 |
| 3.1.10 | IHA.3 | 45 |
| 3.1.11 | HR..1 | 47 |
| 3.1.12 | CHR..1 | 49 |
| 3.1.13 | IHR..1 | 51 |
| 3.1.14 | H..2/3 | 53 |
| 3.1.15 | CH..2/3 | 55 |
| 3.1.16 | IH..2/3 | 57 |
| 3.2 | ELECTRIC MOTORS | 59 |
| 3.2.1 | Electric motors | 59 |
| 3.2.2 | Standard high efficiency (TS), high (TH) and premium (TP) motors | 61 |
| 3.2.3 | Nominal power - [kW] | 62 |
| 3.3 | WEIGHTS | 63 |
| 3.4 | SHAFT END | 65 |

4. ACCESSORIES AND OPTIONS

| | | |
|------------|--|-----------|
| 4.1 | OUTPUT FLANGE | 66 |
| 4.2 | BACKSTOP DEVICE | 67 |
| 4.3 | REINFORCED OIL SEALS FOR OUTPUT SHAFT | 69 |

5. PERFORMANCES

| | | |
|-----|--------------------------------------|-----|
| 5.1 | H/HA GEARED MOTORS (50Hz) | 70 |
| 5.2 | IH/IHA GEAR REDUCER - 1750 rpm | 200 |
| 5.3 | IH/IHA GEAR REDUCER - 1400 rpm | 214 |
| 5.4 | IH/IHA GEAR REDUCER - 1140 rpm | 228 |
| 5.5 | IH/IHA GEAR REDUCER - 900 rpm | 242 |
| 5.6 | IH/IHA GEAR REDUCER - 700 rpm | 256 |
| 5.7 | IH/IHA GEAR REDUCER - 500 rpm | 270 |

6. SALES CONDITIONS

| | | |
|-----|------------------------|-----|
| 6.1 | SALES CONDITIONS | 284 |
|-----|------------------------|-----|

1.1.1 Symbols

| Physical dimension | Symbol | Symbol units of measure | Input | Output |
|---------------------|------------------|-------------------------|-----------------|-----------------|
| Power | P | [kW] | P ₁ | P ₂ |
| Requested power | Pr | [kW] | Pr ₁ | Pr ₂ |
| Nominal power | Pn | [kW] | Pn ₁ | Pn ₂ |
| Torque | M | [Nm] | M ₁ | M ₂ |
| Nominal torque | Mn | [Nm] | | Mn ₂ |
| Requested torque | Mr | [Nm] | Mr ₁ | Mr ₂ |
| Speed | n | [rpm] | n ₁ | n ₂ |
| Force | F | [N] | | |
| Radial load | Fr | [N] | Fr ₁ | Fr ₂ |
| Axial load | Fa | [N] | Fa ₁ | Fa ₂ |
| Reduction ratio | i | | | |
| Dynamic efficiency | η_d | | | |
| Service factor | f.s. | | | |
| Static | s | | | |
| Dynamic | d | | | |
| Calculated | c | | | |
| Maximum | max | | | |
| Minimum | min | | | |
| Moment of inertia | J | [kgm ²] | J ₁ | |
| Ambient temperature | T _{amb} | [°C] | | |
| Dimension | | [mm] | | |

1.1.2 Formulas

| REDUCER | | |
|---|--|-----------------------|
| Starting or stopping time | $t = v / a$ | [s] |
| Velocity in rotary motion | $v = \pi * d * n / 60$ $v = \omega * r$ | [m/s] |
| Speed velocity Angular velocity | $n = 60 * v / (\pi * d)$ $\omega = v / r$ | [rpm] [rad/s] |
| Acceleration or deceleration according to a starting / stopping time | $a = v / t$ | [m/s ²] |
| Angular acceleration | $\alpha = n / (9,55 * t)$ $\alpha = \omega / t$ | [rad/s ²] |
| Starting or stopping distance (according to acceleration / deceleration or angular velocity) | $s = a * t^2 / 2$ $s = v * t / 2$ | [m] |
| Horizontal translation force | $F = \mu * m * g$ | [N] |
| Vertical translation force (lifting) | $F = m * g$ | |
| Inclined plane translation force | $F = m * g (\mu * \cos\beta + \sin\beta)$ | |
| m= mass [kg]; g= gravity acceleration [m/s ²]; μ = friction coefficient; β = angle of inclination | | |
| Moment of inertia | $J = m * v^2 / \omega^2$ | [kgm ²] |
| Torque | $M = F * d / 2$ $M = J * \omega / t$ | [Nm] |

| MOTOR and GEARMOTOR | | |
|--|---|-------|
| Starting time | $t_a = (J_{ext} + J_m) * n_n / 9,55 + (M_{peak} - M_r)$ | [s] |
| Braking time | $t_s = (J_{ext} + J_m) * n_n / 9,55 + (M_{peak} + M_r)$ | [s] |
| Motor rotation angle during starting | $\varphi = n_n * t_a / 19,1$ | [rad] |
| Motor rotation angle during braking | $\varphi = n_n * t_s / 19,1$ | [rad] |
| Power available at the shaft of single phase motor | $P = V * I * \eta * \cos\omega$ | [W] |
| Power available at the shaft of three phase motor | $P = 1,73 * V * I * \eta * \cos\omega$ | [W] |

| RUNNING at 60Hz | | |
|--|---|-------|
| Speed velocity at 60Hz | $n_{60Hz} = 1,2 * n_{50Hz}$ | [rpm] |
| Power at 60Hz | $P_{1\ 60Hz} = P_{1\ 50Hz} * V_{60Hz} / V_{50Hz}$ | [kW] |
| If input voltage at 60 Hz (V_{60Hz}) corresponds to winding voltage at 50 Hz (V_{50Hz}), power doesn't change $P_{1\ 60Hz} = P_{1\ 50Hz}$ | | |
| If input voltage at 60 Hz (V_{60Hz}) is 20% higher than winding voltage at 50 Hz (V_{50Hz}), power increases by 20% $P_{1\ 60Hz} = 1,2 P_{1\ 50Hz}$ | | |
| Torque at 60Hz | $M_{60Hz} = M_{50Hz} * P_{1\ 60Hz} / (1,2 * P_{1\ 50Hz})$ | [Nm] |
| Service factor at 60Hz | $f.s_{60Hz} = f.s_{50Hz} * 1,175 * P_{1\ 50Hz} / P_{1\ 60Hz}$ | - |

For correctly selecting a gear reducer or geared motor, several essential pieces of data are required:

- A. The rotational input speed to the gear reducer (n_1) and the rotational output speed (n_2). Through these two values it is possible to calculate the reduction ratio (i) of the gear reducer using the following formula: $i = n_1/n_2$
- B. The torque required by the application (Mr_2).

The geared motor or gear reducer can be selected once this data is known.

This guide helps you to select the right product in just a few steps:

Geared motor selection

1. Determine the application's actual service factor (**s.f.**). This parameter depends on the type of load of the powered machine, the number of starts per hour and the hours of operation (refer to the "Service factor" paragraph).
2. Calculate the input power Pr_1 using the required torque value Mr_2 , the speed n_2 and dynamic efficiency value. $Pr_1 = (Mr_2 * n_2) / (9550 * \eta_d)$. The dynamic efficiency value depends on the type of gear reducer and on the number of gear reduction stages. (To calculate the efficiency value see its page).
3. Consult the geared motor performance tables and identify a normalised power value Pn_1 exceeding the required power Pr_1 , such that: $Pn_1 \geq Pr_1$
4. Once the suitable nominal power has been identified, select the geared motor capable of generating the rotational speed closest to the desired n_2 value and with service factor s.f. greater or equal to that required by the application.

In the geared motor selection tables the combinations include 2-pole, 4-pole and 6-pole motors powered at 50Hz.

Gear reducer selection

1. Determine the application's service factor (**s.f.**) (consult to the "Service factor" paragraph on its page).
2. Calculate the reduction ratio i from the requested output speed n_2 and from the input speed n_1 . $i = n_1/n_2$
3. Calculate the torque M_{c_2} for selecting the gear reducer through the torque required by the application Mr_2 and the service factor s.f.: $M_{c_2} = Mr_2 * (f.s.)$
4. Consult the Gear Reducer Performance tables looking for the reducer that, with the reduction ratio closer to the calculated one, has a nominal torque Mn_2 so that: $Mn_2 \geq M_{c_2}$

Checks

Once the gear reducer or geared motor has been selected, the following checks should be performed:

A. Thermal power

The gear reducer's thermal power must be equal to or greater than the installed mechanical power, or the power required by the application according to the indications contained in the section (refer to the "Thermal power" paragraph).

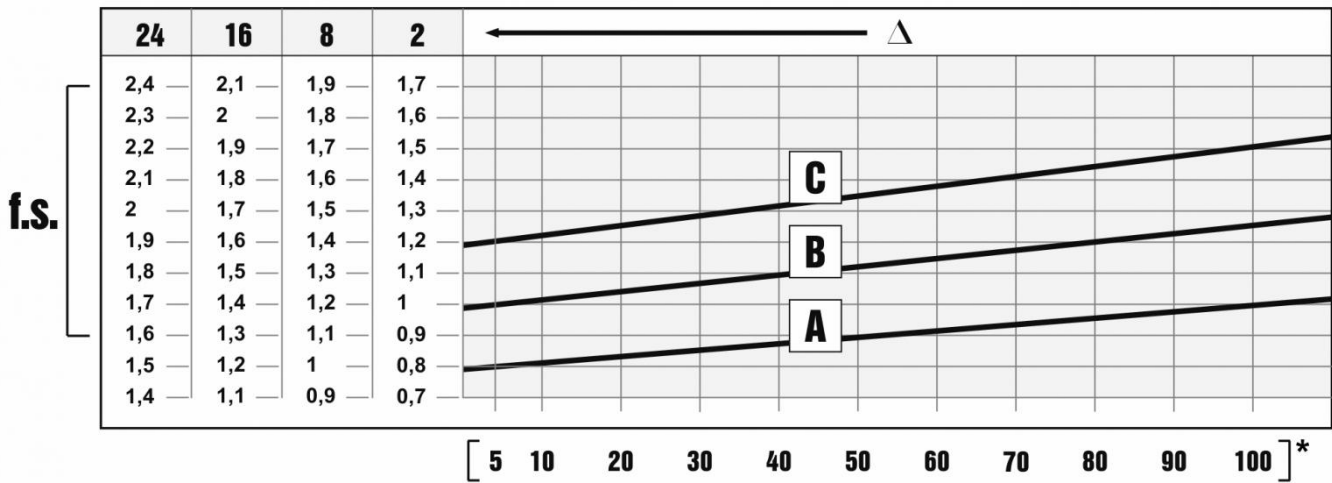
B. Maximum torque

Generally, the maximum torque (peak instantaneous load) that can be applied to the gear reducer must not exceed 200% of the nominal torque Mn_2 (ATEX - M_{2max}).

C. Radial loads

1. Verify that the radial loads acting on the input and/or output shafts are within with the values indicated in the catalogue. If they exceed these values, increase the size of the gear reducer or modify the external load capacity. During the checking phase, it is important to remember that the values indicated in the catalogue refer to loads acting on the mid-point of the shaft protrusion, therefore, if the load is applied to a different position, appropriate formulas must be used to calculate the admissible load in the desired position (refer to the "Radial loads" paragraph).
2. If accessory output shafts are present, make sure that the applied load is compatible with shaft size. If help is needed: contact MOTOVARIO TECHNICAL SERVICE.

D. If an electric motor is going to be fitted to the selected gear reducer, check for its applicability by referring to the configuration table (see paragraph "Motor flange availability"). From IEC 180 motors, verify if necessary to support the motor with feet. In case of need please contact MOTOVARIO TECHNICAL SERVICE.



The service factor (f.s.) depends on the operating conditions the gear reducer is subjected to. The parameters that need to be taken into consideration to select the most adequate service factor correctly comprise:

- type of load of the operated machine : A - B - C
- length of daily operating time: hours/day (Δ)
- start-up frequency: starts/hour (*)

LOAD:

- **A** - uniform = $f_a \leq 0,3$
- **B** - moderate shocks = $f_a \leq 3$
- **C** - heavy shocks = $f_a \leq 10$

$f_a = J_e/J_m$

- J_e [kgm^2] moment of reduced external inertia at the drive-shaft
- J_m [kgm^2] moment of inertia of motor

If $f_a > 10$ call MOTOVARIO TECHNICAL SERVICE.

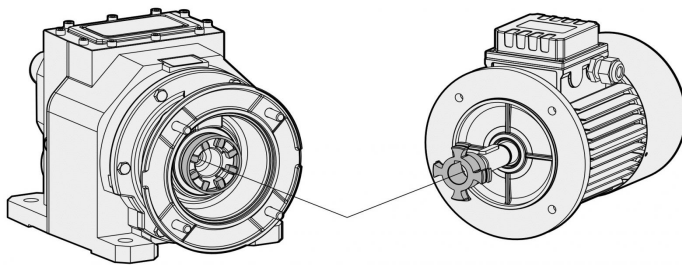
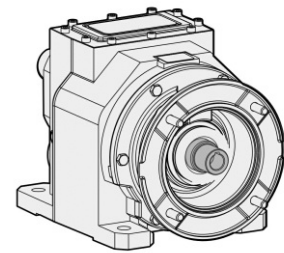
- Screw feeders for light materials, fans, assembly lines, conveyor belts for light materials, small mixers, lifts, cleaning machines, fillers, control machines.
- Winding devices, woodworking machine feeders, goods lifts, balancers, threading machines, medium mixers, conveyor belts for heavy materials, winches, sliding doors, fertilizer scrapers, packing machines, concrete mixers, crane mechanisms, milling cutters, folding machines, gear pumps.
- Mixers for heavy materials, shears, presses, centrifuges, rotating supports, winches and lifts for heavy materials, grinding lathes, stone mills, bucket elevators, drilling machines, hammer mills, cam presses, folding machines, turntables, tumbling barrels, vibrators, shredders.

To install the gear reducer it is necessary to note the following recommendations:

- Check the correct direction of rotation of the gear reducer output shaft before fitting the unit to the machine.
- In the case of particularly lengthy periods of storage (4/6 months), if the oil seal is not immersed in the lubricant inside the unit, it is recommended to change it since the rubber could stick to the shaft or may even have lost the elasticity it needs to function properly.
- Whenever possible, protect the gear reducer against solar radiation and bad weather.
- Ensure the motor cools correctly by ensuring good passage of air from the fan side.
- In the case of ambient temperatures $< -5^{\circ}\text{C}$ or $> +40^{\circ}\text{C}$ call MOTOVARIO TECHNICAL SERVICE.
- The various parts (pulleys, gear wheels, couplings, shafts, etc.) must be mounted on the shafts using special threaded holes or other systems that anyhow ensure correct operation without risking damage to the bearings or external parts of the units. Lubricate the surfaces in contact to avoid seizure or oxidation.
- Painting must definitely not go over rubber parts and the holes on the breather plugs, if any.
- For units equipped with oil plugs, replace the closed plug used for shipping with the special breather plug.
- Check the correct level of the lubricant through the indicator, if there is one.
- Starting must take place gradually, without immediately applying the maximum load.
- When there are parts, objects or materials under the motor drive that can be damaged by even limited spillage of oil, special protection should be fitted.

Assembling motor on pam flange

When the unit is supplied without motor, it is necessary to follow these recommendation to ensure the correct assembly of the electric motor. Check that the tolerances for the motor shaft and flange correspond to the "standard". Carefully clean the shaft, spigot and surfaces of the flange removing traces of paint and dirt, and confirm the key is fitted correctly. Fit the half coupling/sleeve to the motor shaft (see picture) taking care to ensure the motor shaft and bearings are not damaged by avoiding excessive force and where necessary using assembly equipment. Place the couplings elastic element onto the motor half coupling and position the motor up to the gear unit ensuring the coupling element is aligned with the driven half coupling. Complete the assembly using the fixing bolts. Key-ways with tightened tolerances.

Flexible joint**PAM Sleeve**

Motovario products are supplied with the following surface treatment features:

Die-cast aluminium alloy cases for gears

Die-cast materials undergo the following surface cleaning operations:

- De-burring by means of a mechanically operated shearing system.
- Accurate shot-peening.
- Painting.
- Washing and passivation.

Grey-coloured cast-iron cases for gears

- Die-cast materials are always painted.

Grey-coloured cast-iron inspection cover: The gear reducer H... series with 2, 3 stages sizes 125, 140 are supplied with grey-coloured cast-iron closing cover and a metal nameplate printed.



Painting specifications:

- Orange-peel blue epoxy-polyester RAL 5010. Polyester resin based heat-hardening powders, altered with epoxy resins.

Mechanical properties: Tests carried out onto degreased Unichim white lattens (film thickness: 60 microns) comply with the following specifications: adherence (ISO2409).

Heat resistance: 24 HOURS AT 150°C.

Corrosion strength: ASTM B 117/97 salt fog from 100 to 500 hours depending on the support's preliminary treatment.

Performance:

- Loading capacity in accordance with DIN 3990, ISO 6336, AGMA 2101, ISO 10300, DIN 3991, ISO 281, DIN 743.

Dynamic η :

- The efficiency is the ratio between the output power P_2 and the power absorbed by the gear reducer P_1 : $\eta = P_2/P_1$.

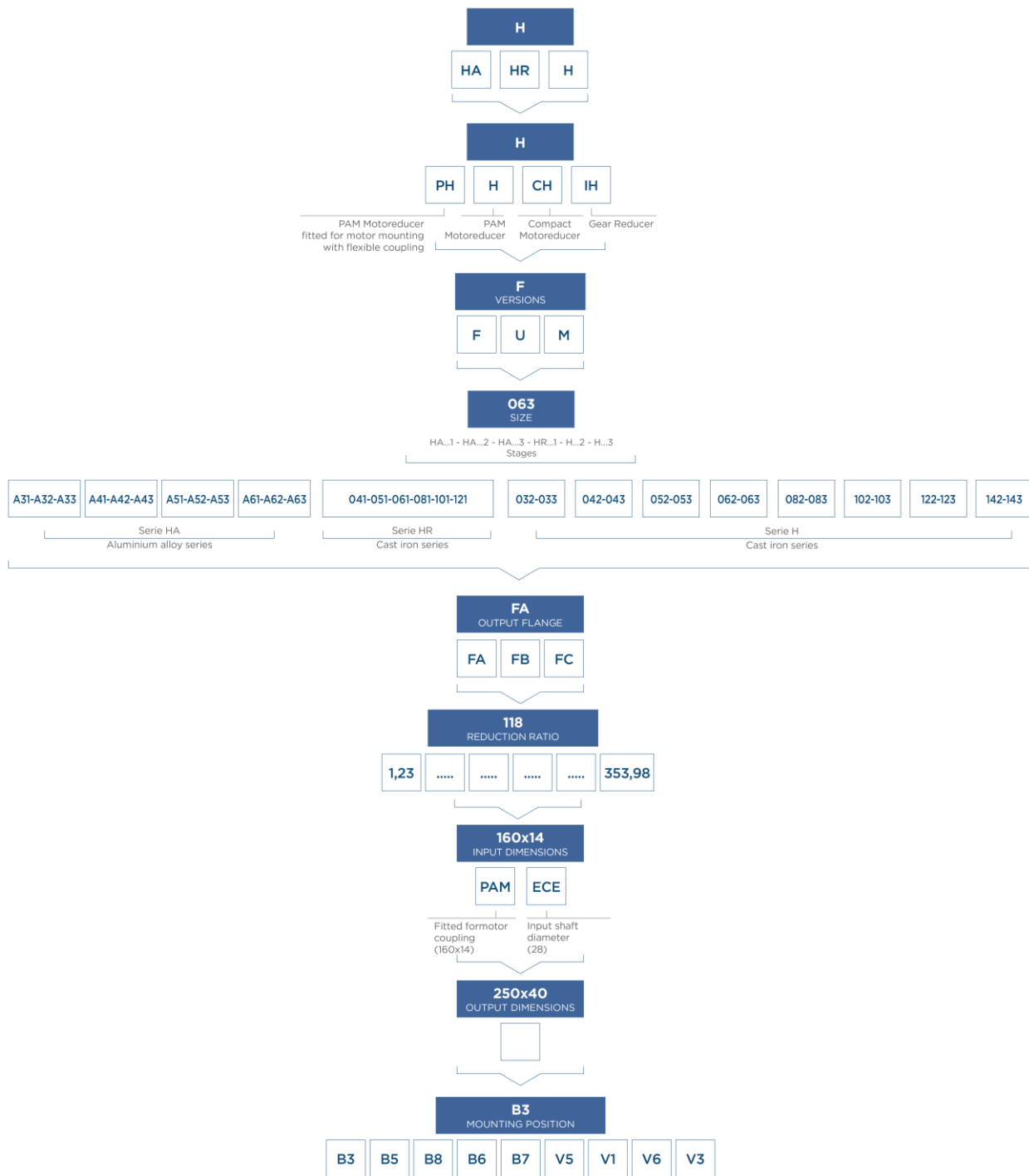
H/HA-range helical gear reducers have an average value equal to:

H..1 stages = 0,97

H..2 stages = 0,96

H..3 stages = 0,94

2.2.1 Designation

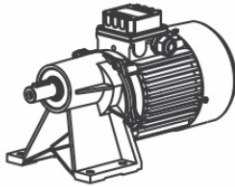


2.2.2 Versions

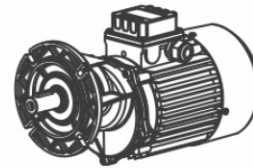
A30 - A40 - A50 - A60

SINGLE STAGE

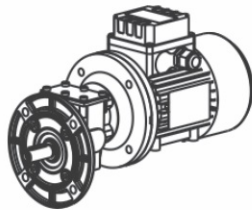
CASING WITH FOOT



F CASING WITH FLANGE

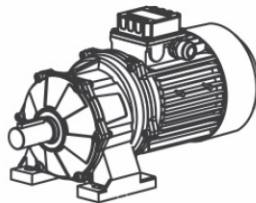


A31 CASING WITH FLANGE

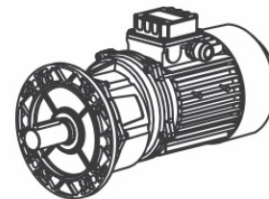


DOUBLE AND TRIPLE STAGE

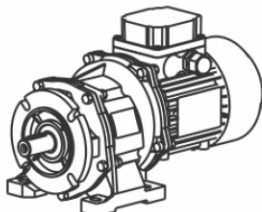
CASING WITH FOOT



F CASING WITH FLANGE



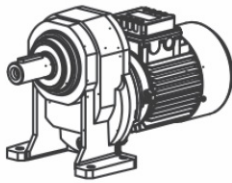
U CASING UNIVERSAL



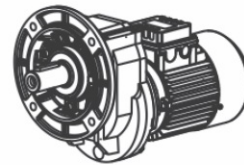
030 - 040 - 050 - 060 - 080 - 100 - 120 - 140

SINGLE STAGE

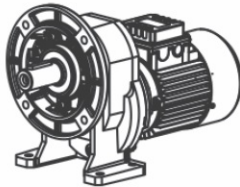
CASING WITH FOOT



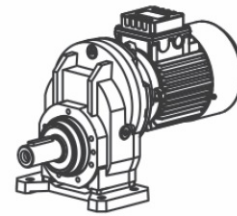
F CASING WITH FLANGE



U CASING UNIVERSAL

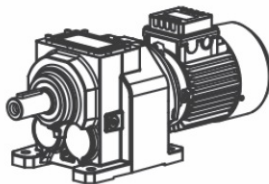


M CASING MONO

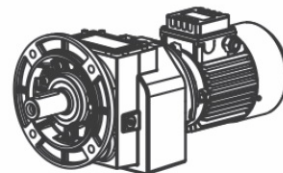


DOUBLE AND TRIPLE STAGE

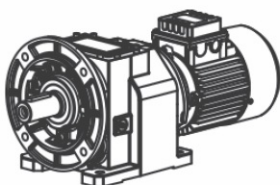
CASING WITH FOOT



F CASING WITH FLANGE

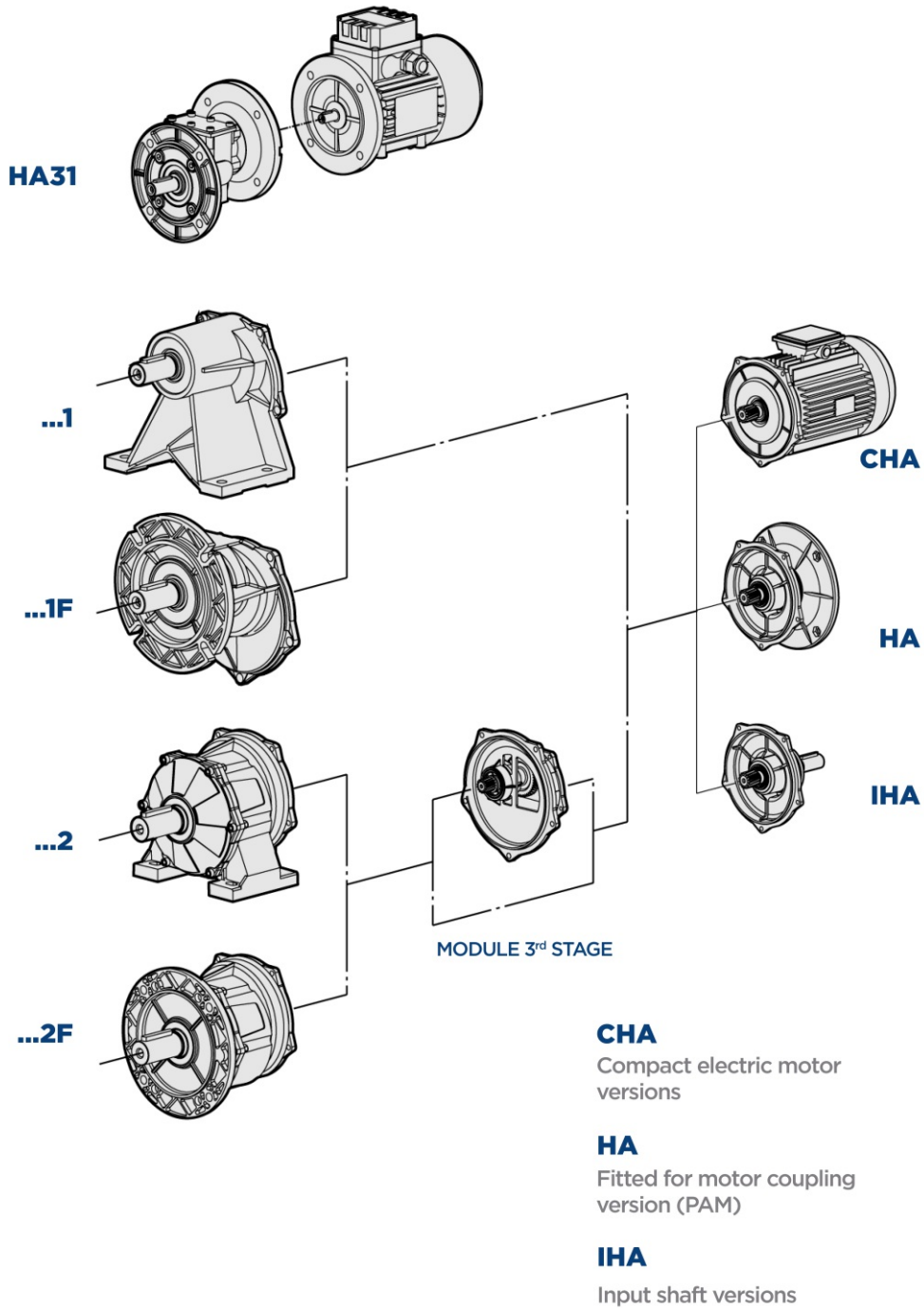


U CASING UNIVERSAL

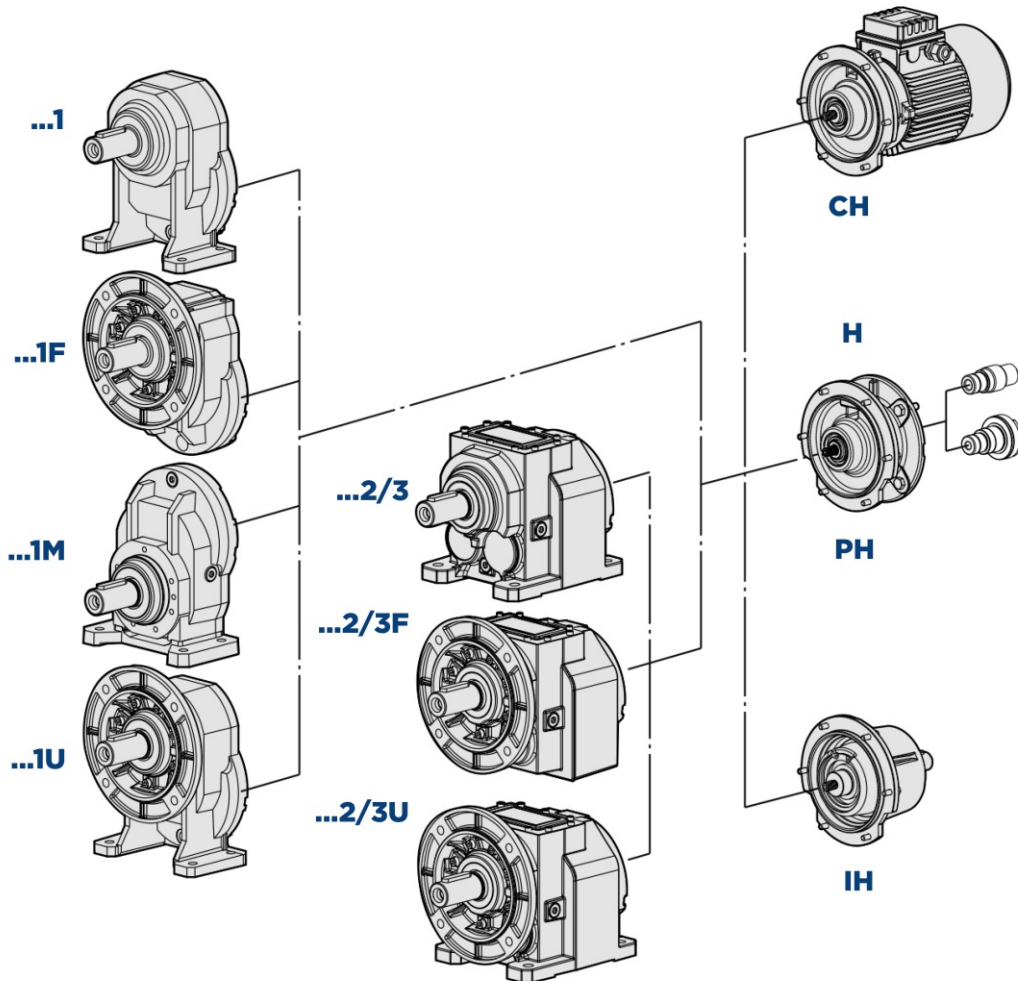


2.2.3 Modularity

HA ALUMINIUM ALLOY SERIES



H GREY CAST IRON SERIES



CH
Compact electric motor versions

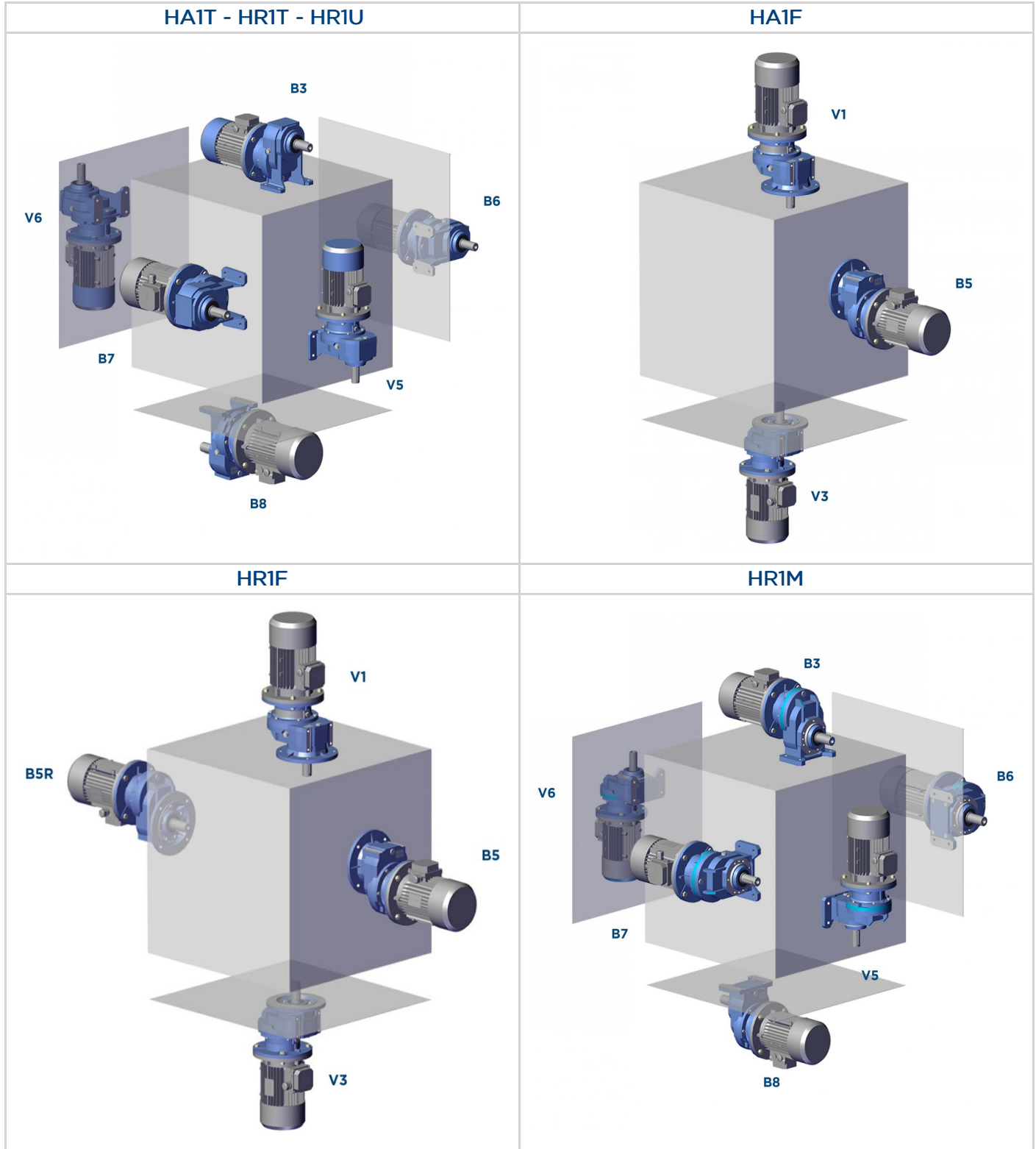
H
Fitted for motor coupling version (PAM)

PH
Fitted for motor mounting with flexible coupling

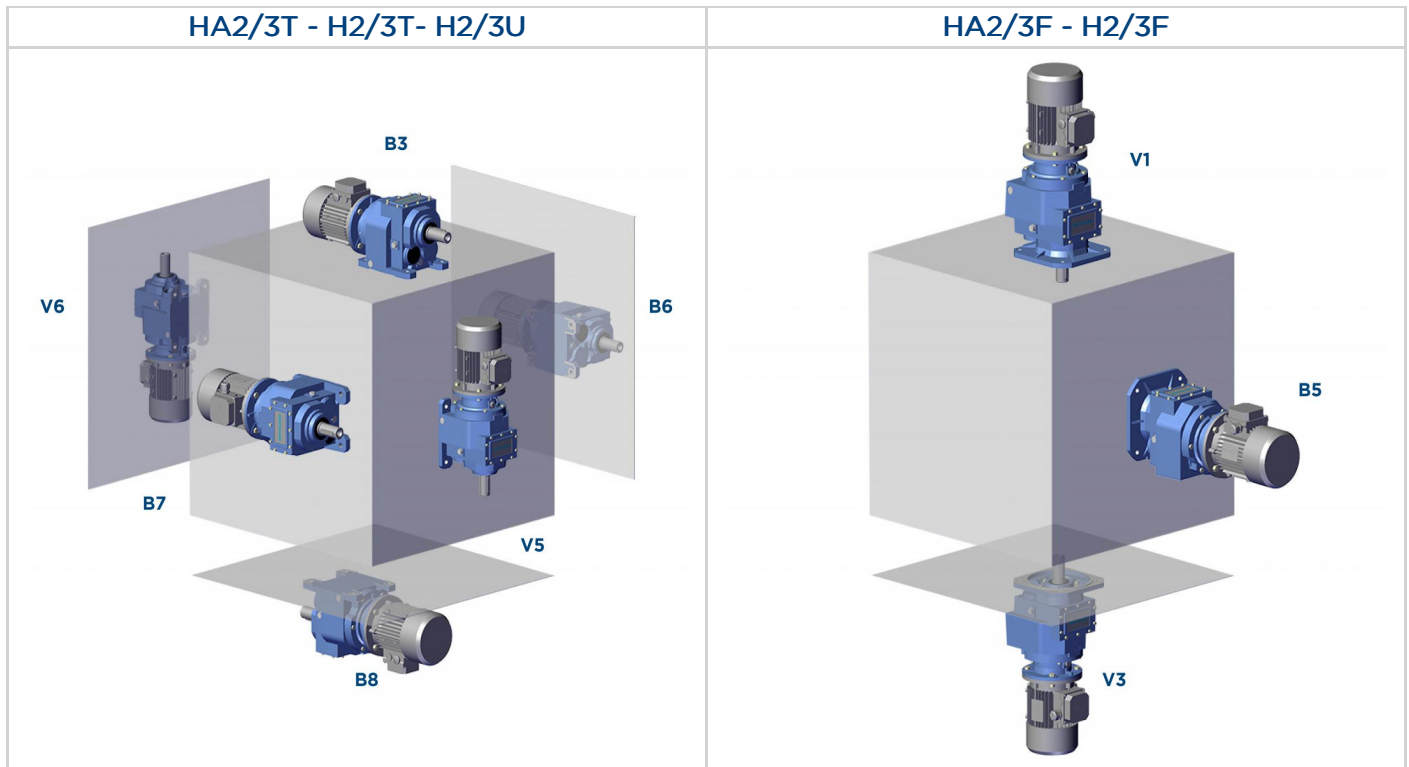
IH
Input shaft versions

2.3.1 Mounting positions

The mounting position of the gear unit identifies its space orientation. B3 mounting position, as from a technical point of view, ensures lower oil splash, better lubrication and less heating.

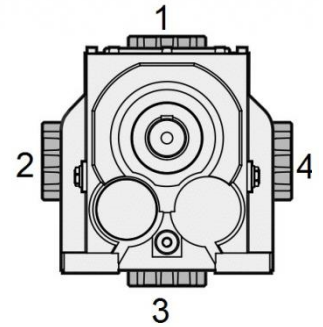
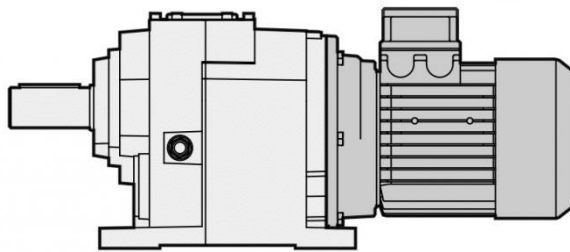
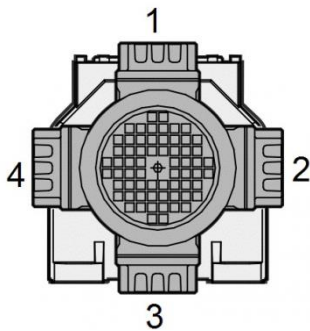


2.3 MOUNTING POSITIONS



2.3.2 Position of terminal box

Unless otherwise specified when ordering, the gear reducer is supplied with terminal box in position 1.



2.4.1 Information

The scheme below indicates the nominal thermal power capacity Pth [kW] according to the following conditions:

- mounting position B3
- continuous operation at input speed <= 1,500 rpm
- environment temperature T_{amb}=25°C
- sea level altitude
- air speed around the gear reducer >=1m/s
- absence of external radial and/or axial loads

| n ₁ = 1500rpm | | | | | |
|--------------------------|----------|-------|----------|------|----------|
| | Pth [kW] | | Pth [kW] | | Pth [kW] |
| HA31 | / | HR041 | 6 | H032 | 5 |
| HA41 | 5 | HR051 | 8,5 | H042 | 7 |
| HA51 | 7 | HR061 | 13,5 | H052 | 9 |
| HA61 | 15 | HR081 | 27,2 | H062 | 15,5 |
| HA32 | 5 | HR101 | 51,5 | H082 | 24 |
| HA42 | 6,5 | HR121 | 67,5 | H102 | 30 |
| HA52 | 11 | | | H122 | 36 |
| HA62 | 15 | | | H142 | 49 |

A correct lubrication and a proper running condition of the gearbox are guaranteed only applying an input power not exceeding Pth (at the above reference conditions)(T oil max=95°C).

NOTE: Normally, three stages gearboxes do not require thermal power verification because the thermal rating usually exceed the mechanical one.

2.4.2 Verification

Application check

Except for continuous operating times below two hours and successive pauses capable of bringing the gear reducer back to ambient temperature, for each application it is peremptory to verify the gear reducer’s thermal limit according to the following formula: **P₁ < Pth * Fc * Fv * Fa**, where:

- P₁ = input power to the gear reducer [kW]
- Pth = thermal power at the reference conditions [kW] (see above table)
- Fc = ambient and operating temperature correction factor
- Fv = ventilation correction factor
- Fa = altitude correction factor

The correction factors refer to different operating conditions compared to the reference conditions, and are provided by the following ISO14179 tables:

| Ambient temperature °C | Fc | Duty per hour of operation % | | | | |
|------------------------|------|------------------------------|------|------|------|----|
| | | 100 | 80 | 70 | 40 | 20 |
| 10 | 1,15 | 1,21 | 1,32 | 1,55 | 2,07 | |
| 18 | 1,07 | 1,12 | 1,23 | 1,44 | 1,93 | |
| 25 | 1,00 | 1,05 | 1,15 | 1,35 | 1,80 | |
| 30 | 0,93 | 0,98 | 1,07 | 1,26 | 1,67 | |
| 40 | 0,83 | 0,87 | 0,95 | 1,12 | 1,49 | |
| 43 | 0,75 | 0,79 | 0,86 | 1,01 | 1,35 | |
| 50 | 0,67 | 0,70 | 0,77 | 0,90 | 1,21 | |

| Altitude (m) | Fa |
|--------------|------|
| 0* | 1 |
| 750 | 0,95 |
| 1500 | 0,9 |
| 2250 | 0,85 |
| 3000 | 0,81 |

| Ventilation correction factor | Fv |
|--|------|
| Stagnant air (<0,5 m/s) | 0.75 |
| Indoor installation with slight ventilation | 1 |
| Indoor installation with good ventilation (>1,4 m/s) | 1.4 |
| Installazione all’aperto (>3,7 m/s) | 1.9 |

*Sea level

In case of operation at input speeds exceeding 2000 rpm, or ambient temperatures greater than 40°C, it is advisable to contact out technical department.

2.5.1 Critical applications

| H | A31 | A30 | A40 | A50 | A60 |
|---------------------------|-----|-----|-----|-----|-----|
| V5 - V1: 1500 < n1 < 3000 | ✓ | ✓ | ✓ | ✓ | ✓ |
| n1 > 3000 | B | B | B | B | B |
| V3 - V6 | B | B | B | B | B |

| H | 030 | 040 | 050 | 060 | 080 | 100 | 125 | 140 |
|---------------------------|-----|-----|-----|-----|-----|-----|-----|-----|
| V5 - V1: 1500 < n1 < 3000 | ✓ | ✓ | ✓ | ✓ | ✓ | ✓ | B | B |
| n1 > 3000 | B | B | B | B | B | B | A | A |
| V3 - V6 | B | B | B | B | B | B | B | B |

✓ Verified application

A Application not recommended

B Check the application and/or call MOTOVARIO TECHNICAL SERVICE.

2.5.2 Information

The performance given in the catalogue correspond to mounting position B3 or similar, when the first stage is not entirely immersed in oil. For other mounting positions and/or particular input speeds, refer to the tables that highlight different critical situations for each size of gear reducer. It is also necessary to take due consideration of and carefully assess the following applications by calling MOTOVARIO TECHNICAL SERVICE:

- To avoid the use as multiplier.
- Use in services that could be hazardous for people if the gear reducer fails.
- Applications with especially high inertia.
- Use as a lifting winch.
- Applications with high dynamic strain on the case of the gear reducer.
- In places with T_{amb} under -5°C or over 40°C .
- Use in chemically aggressive environments.
- Use in a salty environment.
- Mounting positions not envisaged in the catalogue.
- Use in radioactive environments.
- Use in environments pressures other than atmospheric pressure.

Avoid applications where even partial immersion of the reducer is required.

In the presence of overloading due to full load, braking, shocks or other static and dynamic causes, please verify that the peak torque is less than $2 \cdot M_{n2}$.

2.6.1 HA Motor flange availability

B10 = Compact electric motor versions.

These tables report all possible dimensions. Please verify service factor.

| | i | 063 | 071 | 080 | 090 | 100 | 112 |
|---------------|-----------------|-----|-----|-----|-----|-----|-----|
| CH A32 | 5,38 ÷ 30,55 | B10 | B10 | B10 | | | |
| CH A32 | 35,44 ÷ 60,67 | B10 | B10 | | | | |
| CH A33 | 51,32 ÷ 166,61 | B10 | B10 | | | | |
| CH A33 | 193,3 ÷ 347,29 | B10 | B10 | B10 | | | |
| CH A41 | 1,45 ÷ 5,45 | B10 | B10 | B10 | | | |
| CH A41 | 7,88 ÷ 10,83 | B10 | B10 | | | | |
| CH A42 | 5,38 ÷ 30,55 | B10 | B10 | B10 | B10 | | |
| CH A42 | 35,44 ÷ 60,67 | B10 | B10 | | | | |
| CH A43 | 51,32 ÷ 166,61 | B10 | B10 | B10 | B10 | | |
| CH A43 | 193,3 ÷ 240,55 | B10 | B10 | | | | |
| CH A51 | 1,45 ÷ 5,45 | B10 | B10 | B10 | B10 | | |
| CH A51 | 7,88 ÷ 10,83 | B10 | B10 | | | | |
| CH A52 | 5,14 ÷ 25,43 | | | B10 | B10 | B10 | B10 |
| CH A52 | 29,89 ÷ 61,87 | | | B10 | B10 | | |
| CH A53 | 49,8 ÷ 163,05 | B10 | B10 | B10 | B10 | | |
| CH A53 | 200,27 ÷ 353,98 | B10 | B10 | | | | |
| CH A61 | 1,33 ÷ 4,38 | | | B10 | B10 | B10 | B10 |
| CH A61 | 7,75 ÷ 10,67 | | | B10 | B10 | | |
| CH A62 | 5,14 ÷ 25,43 | | | B10 | B10 | B10 | B10 |
| CH A62 | 29,89 ÷ 61,87 | | | B10 | B10 | | |
| CH A63 | 49,8 ÷ 163,05 | B10 | B10 | B10 | B10 | | |
| CH A63 | 200,27 ÷ 353,98 | B10 | B10 | | | | |

| | i | 063 | 071 | 080 | 090 | 100 | 112 |
|--------------|-----------------|-----|--------|--------|--------|--------|--------|
| H A31 | 2,55 ÷ 4,75 | B5 | B5 | B5 | | | |
| H A31 | 5,1 ÷ 7,88 | B5 | B5 | | | | |
| H A31 | 10,83 | B5 | | | | | |
| H A32 | 5,38 ÷ 30,55 | B5 | B5-B14 | B5-B14 | | | |
| H A32 | 35,44 ÷ 60,67 | B5 | B5-B14 | | | | |
| H A33 | 51,32 ÷ 166,61 | B5 | B5-B14 | | | | |
| H A33 | 193,3 ÷ 347,29 | B5 | B5-B14 | B5-B14 | | | |
| H A41 | 1,45 ÷ 5,45 | B5 | B5-B14 | B5-B14 | | | |
| H A41 | 7,88 ÷ 10,83 | B5 | B5-B14 | | | | |
| H A42 | 5,38 ÷ 30,55 | B5 | B5-B14 | B5-B14 | B5-B14 | | |
| H A42 | 35,44 ÷ 60,67 | B5 | B5-B14 | | | | |
| H A43 | 51,32 ÷ 166,61 | B5 | B5-B14 | B5-B14 | B5-B14 | | |
| H A43 | 193,3 ÷ 240,55 | B5 | B5-B14 | | | | |
| H A51 | 1,45 ÷ 5,45 | B5 | B5-B14 | B5-B14 | B5-B14 | | |
| H A51 | 7,88 ÷ 10,83 | B5 | B5-B14 | | | | |
| H A52 | 5,14 ÷ 25,43 | | | B5-B14 | B5-B14 | B5-B14 | B5-B14 |
| H A52 | 29,89 ÷ 61,87 | | | B5-B14 | B5-B14 | | |
| H A53 | 49,8 ÷ 163,05 | B5 | B5-B14 | B5-B14 | B5-B14 | | |
| H A53 | 200,27 ÷ 353,98 | B5 | B5-B14 | | | | |
| H A61 | 1,33 ÷ 4,38 | | | B5-B14 | B5-B14 | B5-B14 | B5-B14 |
| H A61 | 7,75 ÷ 10,67 | | | B5-B14 | B5-B14 | | |
| H A62 | 5,14 ÷ 25,43 | | | B5-B14 | B5-B14 | B5-B14 | B5-B14 |
| H A62 | 29,89 ÷ 61,87 | | | B5-B14 | B5-B14 | | |
| H A63 | 49,8 ÷ 163,05 | B5 | B5-B14 | B5-B14 | B5-B14 | | |
| H A63 | 200,27 ÷ 353,98 | B5 | B5-B14 | | | | |

2.6.2 H Motor flange availability

B11 = Compact electric motor versions.

These tables report all possible dimensions. Please verify service factor.

*For motor size 063 the PH version does not exist.

| CH - H - PH 032 | | | | | |
|-----------------|--------|--------|--------|--------|--------|
| i | 071 | 080 | 090 | 100 | 112 |
| 4,70 | B5-B11 | B5-B11 | B5-B11 | B5-B11 | B5-B11 |
| 6,23 | B5-B11 | B5-B11 | B5-B11 | B5-B11 | B5-B11 |
| 7,76 | B5-B11 | B5-B11 | B5-B11 | B5-B11 | B5-B11 |
| 8,87 | B5-B11 | B5-B11 | B5-B11 | B5-B11 | B5-B11 |
| 10,14 | B5-B11 | B5-B11 | B5-B11 | B5-B11 | B5-B11 |
| 11,76 | B5-B11 | B5-B11 | B5-B11 | B5-B11 | B5-B11 |
| 13,72 | B5-B11 | B5-B11 | B5-B11 | B5-B11 | B5-B11 |
| 14,66 | B5-B11 | B5-B11 | B5-B11 | B5-B11 | B5-B11 |
| 16,77 | B5-B11 | B5-B11 | B5-B11 | B5-B11 | B5-B11 |
| 18,20 | B5-B11 | B5-B11 | B5-B11 | B5-B11 | B5-B11 |
| 19,90 | B5-B11 | B5-B11 | B5-B11 | | |
| 22,68 | B5-B11 | B5-B11 | B5-B11 | B5-B11 | B5-B11 |
| 23,83 | B5-B11 | B5-B11 | B5-B11 | | |
| 26,39 | B5-B11 | B5-B11 | B5-B11 | | |
| 29,70 | B5-B11 | B5-B11 | B5-B11 | | |
| 32,89 | B5-B11 | B5-B11 | B5-B11 | | |
| 37,92 | B5-B11 | B5-B11 | B5-B11 | | |
| 41,40 | B5-B11 | B5-B11 | B5-B11 | | |
| 47,25 | B5-B11 | B5-B11 | B5-B11 | | |

| CH - H - PH 033 | | | | |
|-----------------|--------|--------|--------|--------|
| i | *063 | 071 | 080 | 090 |
| 53,59 | B5-B11 | B5-B11 | B5-B11 | B5-B11 |
| 66,78 | B5-B11 | B5-B11 | B5-B11 | B5-B11 |
| 74,84 | B5-B11 | B5-B11 | B5-B11 | B5-B11 |
| 99,27 | B5-B11 | B5-B11 | B5-B11 | B5-B11 |
| 108,05 | B5-B11 | B5-B11 | | |
| 123,71 | B5-B11 | B5-B11 | B5-B11 | B5-B11 |
| 143,33 | B5-B11 | B5-B11 | | |
| 178,61 | B5-B11 | B5-B11 | | |
| 197,17 | B5-B11 | B5-B11 | | |
| 245,70 | B5-B11 | B5-B11 | | |

| CHR - HR - PHR 041 | | | |
|--------------------|--------|--------|--------|
| i | 071 | 080 | 090 |
| 1,44 | B5-B11 | B5-B11 | B5-B11 |
| 2,00 | B5-B11 | B5-B11 | B5-B11 |
| 2,55 | B5-B11 | B5-B11 | B5-B11 |
| 2,71 | B5-B11 | B5-B11 | B5-B11 |
| 3,11 | B5-B11 | B5-B11 | B5-B11 |
| 3,59 | B5-B11 | B5-B11 | B5-B11 |
| 4,20 | B5-B11 | B5-B11 | B5-B11 |
| 5,00 | B5-B11 | B5-B11 | B5-B11 |
| 5,50 | B5-B11 | B5-B11 | B5-B11 |
| 6,09 | B5-B11 | B5-B11 | B5-B11 |
| 7,67 | B5-B11 | B5-B11 | B5-B11 |
| 8,75 | B5-B11 | B5-B11 | B5-B11 |

| CH - H - PH 042 | | | | | |
|-----------------|--------|--------|--------|--------|--------|
| i | 071 | 080 | 090 | 100 | 112 |
| 5,46 | B5-B11 | B5-B11 | B5-B11 | B5-B11 | B5-B11 |
| 7,19 | B5-B11 | B5-B11 | B5-B11 | B5-B11 | B5-B11 |
| 8,91 | B5-B11 | B5-B11 | B5-B11 | B5-B11 | B5-B11 |
| 10,31 | B5-B11 | B5-B11 | B5-B11 | B5-B11 | B5-B11 |
| 11,80 | B5-B11 | B5-B11 | B5-B11 | B5-B11 | B5-B11 |
| 13,57 | B5-B11 | B5-B11 | B5-B11 | B5-B11 | B5-B11 |
| 15,96 | B5-B11 | B5-B11 | B5-B11 | B5-B11 | B5-B11 |
| 19,00 | B5-B11 | B5-B11 | B5-B11 | B5-B11 | B5-B11 |
| 21,00 | B5-B11 | B5-B11 | B5-B11 | B5-B11 | B5-B11 |
| 23,15 | B5-B11 | B5-B11 | B5-B11 | | |
| 26,04 | B5-B11 | B5-B11 | B5-B11 | B5-B11 | B5-B11 |
| 27,50 | B5-B11 | B5-B11 | B5-B11 | | |
| 30,45 | B5-B11 | B5-B11 | B5-B11 | | |
| 34,10 | B5-B11 | B5-B11 | B5-B11 | | |
| 37,76 | B5-B11 | B5-B11 | B5-B11 | | |
| 43,75 | B5-B11 | B5-B11 | B5-B11 | | |
| 47,53 | B5-B11 | B5-B11 | B5-B11 | | |
| 54,25 | B5-B11 | B5-B11 | B5-B11 | | |

| CH - H - PH 043 | | | | |
|-----------------|--------|--------|--------|--------|
| i | *063 | 071 | 080 | 090 |
| 61,83 | B5-B11 | B5-B11 | B5-B11 | B5-B11 |
| 76,67 | B5-B11 | B5-B11 | B5-B11 | B5-B11 |
| 87,05 | B5-B11 | B5-B11 | B5-B11 | B5-B11 |
| 114,55 | B5-B11 | B5-B11 | B5-B11 | B5-B11 |
| 125,69 | B5-B11 | B5-B11 | | |
| 142,04 | B5-B11 | B5-B11 | B5-B11 | B5-B11 |
| 165,38 | B5-B11 | B5-B11 | | |
| 205,07 | B5-B11 | B5-B11 | | |
| 227,50 | B5-B11 | B5-B11 | | |
| 282,10 | B5-B11 | B5-B11 | | |

2.6 MOTOR FLANGE AVAILABILITY

| CHR - HR - PHR 051 | | | | | |
|--------------------|--------|--------|--------|--------|--------|
| i | 071 | 080 | 090 | 100 | 112 |
| 1,27 | | B5-B11 | B5-B11 | B5-B11 | B5-B11 |
| 1,42 | | B5-B11 | B5-B11 | B5-B11 | B5-B11 |
| 2,13 | | B5-B11 | B5-B11 | B5-B11 | B5-B11 |
| 2,57 | B5-B11 | B5-B11 | B5-B11 | B5-B11 | B5-B11 |
| 3,17 | B5-B11 | B5-B11 | B5-B11 | B5-B11 | B5-B11 |
| 3,69 | B5-B11 | B5-B11 | B5-B11 | B5-B11 | B5-B11 |
| 4,00 | B5-B11 | B5-B11 | B5-B11 | B5-B11 | B5-B11 |
| 4,77 | B5-B11 | B5-B11 | B5-B11 | B5-B11 | B5-B11 |
| 5,25 | B5-B11 | B5-B11 | B5-B11 | B5-B11 | B5-B11 |
| 5,82 | B5-B11 | B5-B11 | B5-B11 | B5-B11 | B5-B11 |
| 7,33 | B5-B11 | B5-B11 | B5-B11 | | |
| 8,38 | B5-B11 | B5-B11 | B5-B11 | | |

| CH - H - PH 052 | | | | | |
|-----------------|--------|--------|--------|--------|--------|
| i | 071 | 080 | 090 | 100 | 112 |
| 5,73 | | B5-B11 | B5-B11 | B5-B11 | B5-B11 |
| 6,89 | | B5-B11 | B5-B11 | B5-B11 | B5-B11 |
| 8,53 | | B5-B11 | B5-B11 | B5-B11 | B5-B11 |
| 9,56 | | B5-B11 | B5-B11 | B5-B11 | B5-B11 |
| 11,51 | | B5-B11 | B5-B11 | B5-B11 | B5-B11 |
| 14,24 | | B5-B11 | B5-B11 | B5-B11 | B5-B11 |
| 16,59 | B5-B11 | B5-B11 | B5-B11 | B5-B11 | B5-B11 |
| 18,00 | B5-B11 | B5-B11 | B5-B11 | B5-B11 | B5-B11 |
| 19,97 | B5-B11 | B5-B11 | B5-B11 | B5-B11 | B5-B11 |
| 21,67 | B5-B11 | B5-B11 | B5-B11 | B5-B11 | B5-B11 |
| 24,71 | B5-B11 | B5-B11 | B5-B11 | B5-B11 | B5-B11 |
| 26,18 | B5-B11 | B5-B11 | B5-B11 | B5-B11 | B5-B11 |
| 28,44 | B5-B11 | B5-B11 | B5-B11 | B5-B11 | B5-B11 |
| 31,52 | B5-B11 | B5-B11 | B5-B11 | B5-B11 | B5-B11 |
| 33,00 | B5-B11 | B5-B11 | B5-B11 | | |
| 38,98 | B5-B11 | B5-B11 | B5-B11 | B5-B11 | B5-B11 |
| 45,36 | B5-B11 | B5-B11 | B5-B11 | | |
| 49,13 | B5-B11 | B5-B11 | B5-B11 | | |
| 56,11 | B5-B11 | B5-B11 | B5-B11 | | |

| CH - H - PH 053 | | | | |
|-----------------|--------|--------|--------|--------|
| i | *063 | 071 | 080 | 090 |
| 58,81 | B5-B11 | B5-B11 | B5-B11 | B5-B11 |
| 72,75 | B5-B11 | B5-B11 | B5-B11 | B5-B11 |
| 90,51 | B5-B11 | B5-B11 | B5-B11 | B5-B11 |
| 108,95 | B5-B11 | B5-B11 | B5-B11 | B5-B11 |
| 134,76 | B5-B11 | B5-B11 | B5-B11 | B5-B11 |
| 157,29 | B5-B11 | B5-B11 | | |
| 194,56 | B5-B11 | B5-B11 | | |
| 216,38 | B5-B11 | B5-B11 | | |
| 267,65 | B5-B11 | B5-B11 | | |

| CHR - HR - PHR 061 | | | | |
|--------------------|--------|--------|--------|--------|
| i | 080 | 090 | 100 | 112 |
| 1,34 | B5-B11 | B5-B11 | B5-B11 | B5-B11 |
| 2,13 | B5-B11 | B5-B11 | B5-B11 | B5-B11 |
| 2,57 | B5-B11 | B5-B11 | B5-B11 | B5-B11 |
| 3,17 | B5-B11 | B5-B11 | B5-B11 | B5-B11 |
| 3,69 | B5-B11 | B5-B11 | B5-B11 | B5-B11 |
| 4,00 | B5-B11 | B5-B11 | B5-B11 | B5-B11 |
| 4,77 | B5-B11 | B5-B11 | B5-B11 | B5-B11 |
| 5,25 | B5-B11 | B5-B11 | B5-B11 | B5-B11 |
| 5,82 | B5-B11 | B5-B11 | B5-B11 | B5-B11 |
| 7,33 | B5-B11 | B5-B11 | B5-B11 | B5-B11 |
| 8,38 | B5-B11 | B5-B11 | B5-B11 | B5-B11 |

| CH - H - PH 062 | | | | | |
|-----------------|--------|--------|--------|--------|--------|
| i | 080 | 090 | 100 | 112 | 132 |
| 5,38 | B5-B11 | B5-B11 | B5-B11 | B5-B11 | B5-B11 |
| 5,93 | B5-B11 | B5-B11 | B5-B11 | B5-B11 | B5-B11 |
| 7,39 | B5-B11 | B5-B11 | B5-B11 | B5-B11 | B5-B11 |
| 8,50 | B5-B11 | B5-B11 | B5-B11 | B5-B11 | B5-B11 |
| 9,39 | B5-B11 | B5-B11 | B5-B11 | B5-B11 | B5-B11 |
| 11,69 | B5-B11 | B5-B11 | B5-B11 | B5-B11 | B5-B11 |
| 12,67 | B5-B11 | B5-B11 | B5-B11 | B5-B11 | B5-B11 |
| 14,75 | B5-B11 | B5-B11 | B5-B11 | B5-B11 | B5-B11 |
| 16,29 | B5-B11 | B5-B11 | B5-B11 | B5-B11 | B5-B11 |
| 17,67 | B5-B11 | B5-B11 | B5-B11 | B5-B11 | B5-B11 |
| 20,28 | B5-B11 | B5-B11 | B5-B11 | B5-B11 | B5-B11 |
| 23,27 | B5-B11 | B5-B11 | B5-B11 | B5-B11 | B5-B11 |
| 25,70 | B5-B11 | B5-B11 | B5-B11 | B5-B11 | B5-B11 |
| 29,33 | B5-B11 | B5-B11 | B5-B11 | B5-B11 | |
| 32,00 | B5-B11 | B5-B11 | B5-B11 | B5-B11 | B5-B11 |
| 36,99 | B5-B11 | B5-B11 | B5-B11 | B5-B11 | |
| 40,33 | B5-B11 | B5-B11 | B5-B11 | B5-B11 | |
| 46,06 | B5-B11 | B5-B11 | B5-B11 | B5-B11 | |

| CH - H - PH 063 | | | | | |
|-----------------|--------|--------|--------|--------|--------|
| i | 071 | 080 | 090 | 100 | 112 |
| 49,45 | | B5-B11 | B5-B11 | B5-B11 | B5-B11 |
| 54,61 | | B5-B11 | B5-B11 | B5-B11 | B5-B11 |
| 68,00 | | B5-B11 | B5-B11 | B5-B11 | B5-B11 |
| 85,82 | B5-B11 | B5-B11 | B5-B11 | B5-B11 | B5-B11 |
| 94,76 | B5-B11 | B5-B11 | B5-B11 | B5-B11 | B5-B11 |
| 118,00 | B5-B11 | B5-B11 | B5-B11 | B5-B11 | B5-B11 |
| 135,40 | B5-B11 | B5-B11 | B5-B11 | B5-B11 | B5-B11 |
| 149,51 | B5-B11 | B5-B11 | B5-B11 | B5-B11 | B5-B11 |
| 170,67 | B5-B11 | B5-B11 | B5-B11 | | |
| 186,18 | B5-B11 | B5-B11 | B5-B11 | B5-B11 | B5-B11 |
| 215,21 | B5-B11 | B5-B11 | B5-B11 | | |
| 234,67 | B5-B11 | B5-B11 | B5-B11 | | |
| 268,00 | B5-B11 | B5-B11 | B5-B11 | | |

2.6 MOTOR FLANGE AVAILABILITY

| CHR - HR - PHR 081 | | | | | |
|--------------------|--------|--------|--------|--------|--------|
| i | 080 | 090 | 100 | 112 | 132 |
| 1,30 | | | | | B5-B11 |
| 1,43 | | | | | B5-B11 |
| 1,93 | | | | | B5-B11 |
| 2,54 | | | B5-B11 | B5-B11 | B5-B11 |
| 3,25 | | | B5-B11 | B5-B11 | B5-B11 |
| 3,72 | | | B5-B11 | B5-B11 | B5-B11 |
| 4,00 | | | B5-B11 | B5-B11 | B5-B11 |
| 4,67 | | | B5-B11 | B5-B11 | B5-B11 |
| 5,54 | B5-B11 | B5-B11 | B5-B11 | B5-B11 | B5-B11 |
| 6,08 | B5-B11 | B5-B11 | B5-B11 | B5-B11 | B5-B11 |
| 7,50 | B5-B11 | B5-B11 | B5-B11 | B5-B11 | B5-B11 |
| 8,44 | B5-B11 | B5-B11 | B5-B11 | B5-B11 | B5-B11 |

| CH - H - PH 082 | | | | | | |
|-----------------|--------|--------|--------|--------|--------|-----|
| i | 080 | 090 | 100 | 112 | 132 | 160 |
| 5,39 | | | | | B5-B11 | B5 |
| 5,95 | | | | | B5-B11 | B5 |
| 7,39 | | | | | B5-B11 | B5 |
| 8,02 | | | | | B5-B11 | B5 |
| 8,85 | | | | | B5-B11 | B5 |
| 11,01 | | | | | B5-B11 | B5 |
| 13,50 | | | B5-B11 | B5-B11 | B5-B11 | B5 |
| 14,90 | | | B5-B11 | B5-B11 | B5-B11 | B5 |
| 16,60 | | | B5-B11 | B5-B11 | B5-B11 | B5 |
| 18,53 | | | B5-B11 | B5-B11 | B5-B11 | B5 |
| 19,38 | | | B5-B11 | B5-B11 | B5-B11 | B5 |
| 21,39 | | | B5-B11 | B5-B11 | B5-B11 | B5 |
| 22,80 | | | B5-B11 | B5-B11 | B5-B11 | B5 |
| 26,60 | | | B5-B11 | B5-B11 | B5-B11 | B5 |
| 27,88 | B5-B11 | B5-B11 | B5-B11 | B5-B11 | B5-B11 | |
| 31,15 | B5-B11 | B5-B11 | B5-B11 | B5-B11 | B5-B11 | |
| 34,38 | B5-B11 | B5-B11 | B5-B11 | B5-B11 | B5-B11 | |
| 38,70 | B5-B11 | B5-B11 | B5-B11 | B5-B11 | B5-B11 | |
| 42,75 | B5-B11 | B5-B11 | B5-B11 | B5-B11 | B5-B11 | |
| 48,13 | B5-B11 | B5-B11 | B5-B11 | B5-B11 | B5-B11 | |

| CH - H - PH 083 | | | | | |
|-----------------|--------|--------|--------|--------|--------|
| i | 080 | 090 | 100 | 112 | 132 |
| 56,53 | B5-B11 | B5-B11 | B5-B11 | B5-B11 | B5-B11 |
| 71,48 | B5-B11 | B5-B11 | B5-B11 | B5-B11 | B5-B11 |
| 78,87 | B5-B11 | B5-B11 | B5-B11 | B5-B11 | B5-B11 |
| 85,60 | B5-B11 | B5-B11 | B5-B11 | B5-B11 | B5-B11 |
| 98,09 | B5-B11 | B5-B11 | B5-B11 | B5-B11 | B5-B11 |
| 112,78 | B5-B11 | B5-B11 | B5-B11 | B5-B11 | B5-B11 |
| 124,44 | B5-B11 | B5-B11 | B5-B11 | B5-B11 | B5-B11 |
| 142,15 | B5-B11 | B5-B11 | B5-B11 | B5-B11 | |
| 154,76 | B5-B11 | B5-B11 | B5-B11 | B5-B11 | B5-B11 |
| 162,35 | B5-B11 | B5-B11 | | | |
| 179,13 | B5-B11 | B5-B11 | | | |
| 195,07 | B5-B11 | B5-B11 | | | |
| 222,78 | B5-B11 | B5-B11 | | | |

| CHR - HR - PHR 101 | | | | | |
|--------------------|--------|--------|--------|-----|-----|
| i | 100 | 112 | 132 | 160 | 180 |
| 1,29 | | | B5-B11 | B5 | B5 |
| 1,41 | | | B5-B11 | B5 | B5 |
| 2,03 | | | B5-B11 | B5 | B5 |
| 2,48 | | | B5-B11 | B5 | B5 |
| 3,27 | B5-B11 | B5-B11 | B5-B11 | B5 | B5 |
| 3,70 | B5-B11 | B5-B11 | B5-B11 | B5 | B5 |
| 4,22 | | | B5-B11 | B5 | B5 |
| 4,88 | B5-B11 | B5-B11 | B5-B11 | B5 | B5 |
| 5,27 | B5-B11 | B5-B11 | B5-B11 | B5 | B5 |
| 6,23 | B5-B11 | B5-B11 | B5-B11 | B5 | |
| 7,55 | B5-B11 | B5-B11 | B5-B11 | B5 | |
| 8,40 | B5-B11 | B5-B11 | B5-B11 | B5 | |

| CH - H - PH 102 | | | | | |
|-----------------|--------|--------|--------|-----|-----|
| i | 100 | 112 | 132 | 160 | 180 |
| 5,26 | | | B5-B11 | B5 | B5 |
| 6,36 | | | B5-B11 | B5 | B5 |
| 7,05 | | | B5-B11 | B5 | B5 |
| 8,27 | | | B5-B11 | B5 | B5 |
| 9,99 | | | B5-B11 | B5 | B5 |
| 11,09 | | | B5-B11 | B5 | B5 |
| 13,32 | B5-B11 | B5-B11 | B5-B11 | B5 | B5 |
| 16,09 | B5-B11 | B5-B11 | B5-B11 | B5 | B5 |
| 17,85 | B5-B11 | B5-B11 | B5-B11 | B5 | B5 |
| 19,80 | B5-B11 | B5-B11 | B5-B11 | B5 | B5 |
| 21,44 | B5-B11 | B5-B11 | B5-B11 | B5 | B5 |
| 24,00 | B5-B11 | B5-B11 | B5-B11 | B5 | B5 |
| 25,89 | B5-B11 | B5-B11 | B5-B11 | B5 | B5 |
| 28,73 | B5-B11 | B5-B11 | B5-B11 | B5 | B5 |
| 30,70 | B5-B11 | B5-B11 | B5-B11 | B5 | |
| 34,20 | B5-B11 | B5-B11 | B5-B11 | B5 | |
| 38,45 | B5-B11 | B5-B11 | B5-B11 | | |
| 41,30 | B5-B11 | B5-B11 | B5-B11 | B5 | |
| 45,82 | B5-B11 | B5-B11 | B5-B11 | B5 | |
| 51,52 | B5-B11 | B5-B11 | B5-B11 | | |

| CH - H - PH 103 | | | | | |
|-----------------|--------|--------|--------|--------|-----|
| i | 090 | 100 | 112 | 132 | 160 |
| 55,47 | | | | B5-B11 | B5 |
| 69,69 | | B5-B11 | B5-B11 | B5-B11 | B5 |
| 79,80 | | B5-B11 | B5-B11 | B5-B11 | B5 |
| 84,16 | | B5-B11 | B5-B11 | B5-B11 | B5 |
| 93,36 | | B5-B11 | B5-B11 | B5-B11 | B5 |
| 100,07 | | B5-B11 | B5-B11 | B5-B11 | B5 |
| 120,84 | | B5-B11 | B5-B11 | B5-B11 | B5 |
| 134,06 | | B5-B11 | B5-B11 | B5-B11 | B5 |
| 143,40 | B5-B11 | B5-B11 | B5-B11 | B5-B11 | |
| 160,82 | B5-B11 | B5-B11 | B5-B11 | B5-B11 | |
| 181,07 | B5-B11 | B5-B11 | B5-B11 | B5-B11 | |
| 194,21 | B5-B11 | B5-B11 | B5-B11 | B5-B11 | |
| 215,45 | B5-B11 | B5-B11 | B5-B11 | B5-B11 | |
| 242,59 | B5-B11 | B5-B11 | B5-B11 | B5-B11 | |

2.6 MOTOR FLANGE AVAILABILITY

| CHR - HR - PHR 121 | | | | |
|--------------------|--------|-----|-----|-----|
| i | 132 | 160 | 180 | 200 |
| 1,23 | | B5 | B5 | B5 |
| 1,42 | | B5 | B5 | B5 |
| 1,81 | | B5 | B5 | B5 |
| 2,00 | B5-B11 | B5 | B5 | B5 |
| 2,48 | B5-B11 | B5 | B5 | B5 |
| 2,95 | B5-B11 | B5 | B5 | B5 |
| 3,14 | B5-B11 | B5 | B5 | B5 |
| 3,58 | B5-B11 | B5 | B5 | B5 |
| 4,12 | B5-B11 | B5 | B5 | B5 |
| 4,80 | B5-B11 | B5 | B5 | B5 |
| 5,21 | B5-B11 | B5 | B5 | |
| 6,25 | B5-B11 | B5 | B5 | |
| 7,70 | B5-B11 | B5 | B5 | |

| CH - H - PH 122 | | | | |
|-----------------|--------|-----|-----|-----|
| i | 132 | 160 | 180 | 200 |
| 5,27 | | B5 | B5 | B5 |
| 5,78 | | B5 | B5 | B5 |
| 7,05 | | B5 | B5 | B5 |
| 7,74 | | B5 | B5 | B5 |
| 8,48 | | B5 | B5 | B5 |
| 10,35 | | B5 | B5 | B5 |
| 12,66 | B5-B11 | B5 | B5 | B5 |
| 13,86 | B5-B11 | B5 | B5 | B5 |
| 16,92 | B5-B11 | B5 | B5 | B5 |
| 19,30 | B5-B11 | B5 | B5 | B5 |
| 20,57 | B5-B11 | B5 | B5 | B5 |
| 22,52 | B5-B11 | B5 | B5 | B5 |
| 24,47 | B5-B11 | B5 | B5 | |
| 27,49 | B5-B11 | B5 | B5 | B5 |
| 29,86 | B5-B11 | B5 | B5 | |
| 33,00 | B5-B11 | B5 | B5 | |
| 36,13 | B5-B11 | B5 | B5 | |
| 44,10 | B5-B11 | B5 | B5 | |

| CH - H - PH 123 | | | | | | |
|-----------------|--------|--------|--------|-----|-----|-----|
| i | 100 | 112 | 132 | 160 | 180 | 200 |
| 45,77 | | | B5-B11 | B5 | B5 | B5 |
| 55,87 | | | B5-B11 | B5 | B5 | B5 |
| 67,32 | B5-B11 | B5-B11 | B5-B11 | B5 | B5 | B5 |
| 73,71 | B5-B11 | B5-B11 | B5-B11 | B5 | B5 | B5 |
| 83,30 | B5-B11 | B5-B11 | B5-B11 | B5 | B5 | B5 |
| 89,97 | B5-B11 | B5-B11 | B5-B11 | B5 | B5 | B5 |
| 100,30 | B5-B11 | B5-B11 | B5-B11 | B5 | B5 | B5 |
| 108,34 | B5-B11 | B5-B11 | B5-B11 | B5 | B5 | B5 |
| 118,62 | B5-B11 | B5-B11 | B5-B11 | B5 | B5 | B5 |
| 128,18 | B5-B11 | B5-B11 | B5-B11 | B5 | B5 | |
| 144,79 | B5-B11 | B5-B11 | B5-B11 | B5 | B5 | B5 |
| 155,22 | B5-B11 | B5-B11 | B5-B11 | B5 | B5 | |
| 172,80 | B5-B11 | B5-B11 | B5-B11 | B5 | B5 | |
| 189,19 | B5-B11 | B5-B11 | B5-B11 | B5 | B5 | |
| 207,40 | B5-B11 | B5-B11 | B5-B11 | B5 | B5 | |
| 230,92 | B5-B11 | B5-B11 | B5-B11 | B5 | B5 | |
| 259,60 | B5-B11 | B5-B11 | B5-B11 | | | |

| CH - H - PH 142 | | | | |
|-----------------|-----|-----|-----|-----|
| i | 160 | 180 | 200 | 225 |
| 5,27 | B5 | B5 | B5 | B5 |
| 6,36 | B5 | B5 | B5 | B5 |
| 7,04 | B5 | B5 | B5 | B5 |
| 7,84 | B5 | B5 | B5 | B5 |
| 9,45 | B5 | B5 | B5 | B5 |
| 10,47 | B5 | B5 | B5 | B5 |
| 13,07 | B5 | B5 | B5 | B5 |
| 15,75 | B5 | B5 | B5 | B5 |
| 17,45 | B5 | B5 | B5 | B5 |
| 20,04 | B5 | B5 | B5 | B5 |
| 24,15 | B5 | B5 | B5 | B5 |
| 26,76 | B5 | B5 | B5 | B5 |
| 32,24 | B5 | B5 | B5 | B5 |
| 38,85 | B5 | B5 | B5 | B5 |
| 43,05 | B5 | B5 | B5 | B5 |

| CH - H - PH 143 | | | | |
|-----------------|-----|-----|-----|-----|
| i | 132 | 160 | 180 | 200 |
| 48,35 | | B5 | B5 | B5 |
| 53,50 | B5 | B5 | B5 | B5 |
| 59,22 | B5 | B5 | B5 | B5 |
| 63,00 | B5 | B5 | B5 | B5 |
| 71,35 | B5 | B5 | B5 | B5 |
| 79,07 | B5 | B5 | B5 | B5 |
| 86,40 | B5 | B5 | B5 | B5 |
| 96,21 | B5 | B5 | B5 | B5 |
| 104,51 | B5 | B5 | B5 | |
| 115,92 | B5 | B5 | B5 | B5 |
| 128,47 | B5 | B5 | B5 | B5 |
| 139,55 | B5 | B5 | B5 | |
| 154,33 | B5 | B5 | B5 | |
| 185,96 | B5 | B5 | B5 | |
| 206,08 | B5 | B5 | B5 | |

2.7 OUTPUT SHAFT BEARINGS

| | HA30 | HA40 | HA50 | HA60 |
|---------------|----------|----------|----------|----------|
| | Standard | Standard | Standard | Standard |
| HA 1 | 1 | 1 | 1 | 1 |
| HA 2/3 | 1 | 1 | 1 | 1 |

| | HR041 | | HR051 | | HR061 | | HR081 | HR101 | HR121 |
|---------------|----------|------------|----------|------------|----------|------------|----------|----------|----------|
| | Standard | On request | Standard | On request | Standard | On request | Standard | Standard | Standard |
| HR 1/M | 1 | 2 | 1 | 2 | 1 | 2 | 2 | 2 | 2 |

| | H030 | H040 | H050 | H060 | H080 | H100 | H125 | H140 |
|--------------|----------|----------|----------|----------|----------|----------|----------|----------|
| | Standard | Standard | Standard | Standard | Standard | Standard | Standard | Standard |
| H 2/3 | 2 | 2 | 2 | 2 | 2 | 2 | 2 | 2 |

1 - Ball Bearing

2 - Roller bearings

/ - Not available

2.8.1 Information

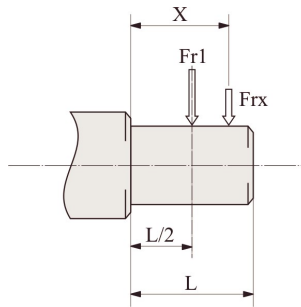
The value of the admissible radial load [N] is given in the tables relating to the performance of the gear reducer at issue. It is related to the load applied on the centre line of the shaft and in the most unfavourable conditions of angle of application and direction of rotation. The maximum admissible axial loads are 1/5 of the value of the given radial load when they are applied in combination with the radial load. The tables relating to the output shafts give the maximum admissible value. This value must never be exceeded since it relates to the strength of the case. Particular conditions of radial load higher than the limits of the catalogue may occur. In this case, call our Technical Service and provide details on the application: direction of the load, direction of rotation of the shaft, type of service. The radial load on the shaft is calculated with the following formula: $Fr_e = (2000 \cdot M \cdot fz) / D \leq Fr1 \text{ or } Fr2$

- **Fr_e** [N] Resulting radial load
- **M** [Nm] Torque on the shaft
- **D** [mm] Diameter of the transmission member mounted on the shaft
- **Fr1-Fr2** [N] Value of the maximum admitted radial load (see relative tables)
- **fz** = 1,1 gear pinion - 1,4 chain wheel - 1,7 v-pulley - 2,5 flat pulley

2.8.2 Input

When the radial load is not on the centre line of the shaft, it is necessary to adjust the admissible radial load Fr1 with the following formula: $Fr_x = (Fr1 \cdot a) / (b + x)$

- **a**, **b** = values given in the tables
- **x** = distance from the point of application of the load to the shaft shoulder



| IH | A32/A33/A41/A42/A43/A51/A53/A63 | A52/A61/A62 |
|--------------------|---------------------------------|-------------|
| a | 84 | 89 |
| b | 64 | 69 |
| Fr1 max(**) | 480 | 800 |

| IHR | 041 | 051 | 061 | 081 | 101 | 121 |
|--------------------|------|------|------|------|------|------|
| a | 105 | 105 | 105 | 137 | 175 | 175 |
| b | 80 | 80 | 80 | 108 | 135 | 135 |
| Fr1 max(**) | 1320 | 1800 | 2200 | 2500 | 3000 | 3000 |

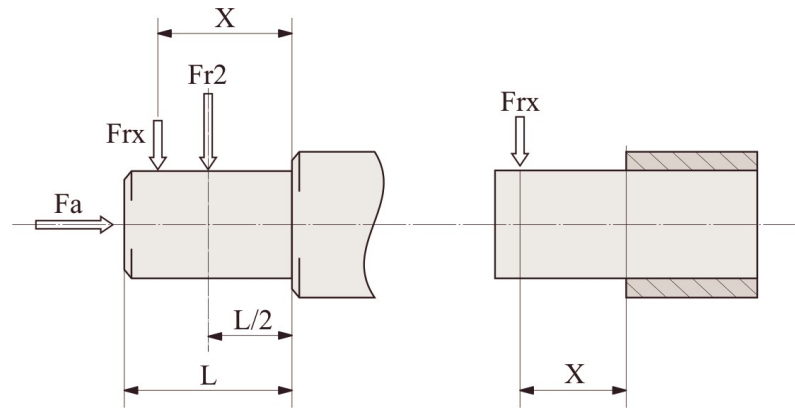
| IH | 032/033 | 042/043 | 052/053 | 062/063 | 082/083 | 102/103 | 122 123 | 142/143 |
|--------------------|---------|---------|---------|---------|---------|---------|---------|---------|
| a | 105 | 105 | 105 | 137 | 137 | 175 | 175 | 225 |
| b | 80 | 80 | 80 | 108 | 108 | 135 | 135 | 170 |
| Fr1 max(**) | 2200 | 2200 | 2500 | 3600 | 3600 | 7200 | 7200 | 15000 |

(**Fr1 max) Max admissible value of the reducer in static conditions and/or for limited operations. For continuous overhung loads please check the values on the performances tables calculated according to the casing, the shaft and bearings.

2.8.3 Output

When the radial load is not on the centre line of the shaft, it is necessary to adjust the admissible radial load Fr2 with the following formula: $Fr_x = (Fr_2 \cdot a) / (b + x)$

- a , b = values given in the tables
- x = distance from the point of application of the load to the shaft shoulder



| H | A31 | A41 | A51 | A61 | A32/A33 | A42/A43 | A52/A53 | A62/A63 |
|-------------|------|------|------|------|---------|---------|---------|---------|
| a | 78,5 | 81 | 83 | 103 | 105 | 115 | 135 | 155 |
| b | 58,5 | 61 | 58 | 73 | 85 | 90 | 105 | 115 |
| Fr2 max(**) | 1100 | 1100 | 3000 | 4500 | 2000 | 4300 | 6000 | 8000 |

| HR | 041 | 051 | 061 | 081 | 101 | 121 |
|-------------|------|------|------|------|-------|-------|
| a | 89 | 98 | 115 | 151 | 210 | 232 |
| b | 79 | 73 | 85 | 111 | 155 | 177 |
| Fr2 max(**) | 1000 | 2500 | 3700 | 4000 | 5000 | 6000 |
| Fa max(*) | 5500 | 6500 | 7000 | 8500 | 11500 | 13500 |

| H | 032/033 | 042/043 | 052/053 | 062/063 | 082/083 | 102/103 | 122/123 | 142/143 |
|-------------|---------|---------|---------|---------|---------|---------|---------|---------|
| a | 120 | 138 | 169 | 195 | 238 | 281 | 331 | 367 |
| b | 96 | 108 | 134 | 155 | 188 | 221 | 261 | 282 |
| Fr2 max(**) | 5500 | 6600 | 8000 | 12000 | 18000 | 22000 | 30000 | 55000 |

(**Fr2 max) Max admissible value of the reducer in static conditions and/or for limited operations. For continuous overhung loads please check the values on the performances tables calculated according to the casing, the shaft and bearings.

(*Fa) Maximum permissible value of the gearbox with tapered roller bearings. Axial loads are not allowed with ball bearings. Sizes 041-051-061 in the STANDARD version are supplied with ball bearings.

2.9.1 Information

In cases of ambient temperatures not envisaged in the table, call our Technical Service. In the case of temperatures under -30°C or over 60°C it is necessary to use oil seals with special properties. For operating ranges with temperatures under 0°C it is necessary to consider the following:

1. The motors need to be suitable for operation at the envisaged ambient temperature.
2. The power of the electric motor needs to be adequate for exceeding the higher starting torques required.
3. In case of cast-iron gear reducers, pay attention to impact loads since cast iron may have problems of fragility at temperatures under -15°C .
4. During the early stages of service, problems of lubrication may arise due to the high level of viscosity taken on by the oil and so it is wise to have a few minutes of rotation under no load.

Oil (NON Atex products) must be changed after approx. 10000 hours/2 years of operation; this time varies based on the type of service and on the environment inside which the gear reducer is installed. Units not featuring any oil plug are life-lubricated, and therefore maintenance-free.

2.9.2 Lubricants

Specifications of lubricants recommended by Motovario.

The units **H032/3 ÷ 101/2/3** and **H121** are supplied with ENI BLASIA 220 oil, unless otherwise specified by the client.

The units **H122/3 ÷ 142/3** are supplied without lubricant.

| | HA32/3 ÷ A62/3 / HR041 ÷ 121 / H032/3 ÷ 142/3 | |
|----------------------------|---|----------------------------|
| | Mineral oil | |
| T _{amb} °C ISO | (-5) ÷ (+40) ISO VG220 | (-15) ÷ (+25) ISO VG150 |
| ENI | BLASIA 220 | BLASIA 150 |
| SHELL | OMALA S2 G 220 | OMALA S2 G 150 |
| KLUBER | Kluberoil GEM 1-220N | Kluberoil GEM 1-150N |
| MOBIL | MOBILGEAR 600 XP220 | MOBILGEAR 600 XP150 |
| CASTROL | ALPHA SP 220 | ALPHA SP 150 |
| BP | ENERGOL GR-XP220 | ENERGOL GR-XP150 |

2.9.3 Special lubricants

| | $T_{amb}^{\circ C}$ | Polyglycol synthetic oil |
|--------|---------------------|---|
| ENI | (-30) ÷ (+30) | Blasia S 150 (ISO VG150) |
| | (-20) ÷ (+40) | Blasia S 220 (ISO VG220) |
| MOBIL | (-45) ÷ (+0) | SCH 624 (ISO VG32) |
| | (-40) ÷ (+5) | SCH 626 (ISO VG68) |
| KLUBER | (-40) ÷ (+5) | Klubersynth GH 6-32 (ISO VG32) |
| | (-35) ÷ 10) | Klubersynth GH 6-80 (ISO VG80) |
| | (-30) ÷ (+40) | Klubersynth GH 6-150 (ISO VG150) |
| | (-25) ÷ (+40) | Klubersynth GH 6-220 (ISO VG220) |
| | (-15) ÷ (+50) | Klubersynth GH 6-460 (ISO VG460) |
| | (-10) ÷ (+70) | Klubersynth GH 6-680 (ISO VG680) |
| | $T_{amb}^{\circ C}$ | Polyglycol synthetic oil for food grade |
| KLUBER | (-30) ÷ (+15) | Klubersynth UH1-6 100 (ISO VG100) |
| | (-25) ÷ (+40) | Klubersynth UH1-6 220 (ISO VG220) |
| | (-15) ÷ (+40) | Klubersynth UH1-6 320 (ISO VG320) |
| | (-15) ÷ (+50) | Klubersynth UH1-6 460 (ISO VG460) |
| | (-10) ÷ (+50) | Klubersynth UH1-6 680 (ISO VG680) |

If 'special' lubricant is required please contact for Technical Assistance.

2.9.4 Quantity

- For the gear reducer HA series with 2, 3 stages and for the reducers H series with 1, 2, 3 stages it is always necessary to specify the envisaged position.
- The gear reducer HA series with 1, 2, 3 stages all sizes, HR... series with 1 stage sizes 040, 050, 060 and H... series with 2, 3 stages sizes 030, 040, 050 are supplied complete with lubricant, have no oil plugs and need no maintenance.
- The gear reducer HR... series with 1 stage sizes 80,100,125 and H... series with 2, 3 stages sizes 060, 080, 100 are supplied complete with lubricant and are fitted with oil plugs to suit any mounting position included in the catalogue.
- The gear H... series with 2, 3 stages sizes 125, 140 have no lubricant and are fitted with oil plugs to suit any mounting position included in the catalogue. The oil filling can be done on request, in this case it is recommended, after installation, to replace the closed plug used for transportation with the supplied breather plug. When the reduction unit is supplied without lubricant, it is provided with a label to be filled.

Oil quantity in the table (litres ~) are indicative; for a proper use you will have to refer to the level plug or the dipstick. Any level difference could depend on construction tolerances, but also by the placement of the unit or by the mounting surface at the customer's premises. It is appropriate to check and, if necessary, restores the level when the units are installed.

| H - CH | HA31 | HA41 | CHA41 | A51 | A61 | A32 | A42 | A52 | A62 | A33 | A43 | A53 | A63 |
|--------|------|------|-------|------|------|------|-----|-----|-----|-----|------|-----|-----|
| B3-B5 | 0,07 | 0,23 | 0,13 | 0,25 | 0,62 | 0,68 | 0,7 | 1,2 | 1,9 | 1,1 | 1,16 | 1,9 | 2,4 |
| B8 | | | | | | | | | | | | | |
| B6-B7 | | | | | | | | 1,6 | 2,1 | 2,5 | 3,1 | | |
| V5-V1 | | | | | | | | | | | | | |
| V6-V3 | | | | | | | | | | | | | |

| HR - CHR | 041 | 051 | 061 | 081 | 101 | 121 | 041M | 051M | 061M | 081M | 101M | 121M |
|----------|-----|-----|-----|------|-----|-----|------|------|------|------|------|------|
| B3-B5 | 0,5 | 0,7 | 0,7 | 1,45 | 3,5 | 4,7 | 0,5 | 0,5 | 0,5 | 1,5 | 3,5 | 3,9 |
| B5R | 0,5 | 0,5 | 0,5 | 1,5 | 3,5 | 3,9 | - | - | - | - | - | - |
| B8 | 0,5 | 0,5 | 0,5 | 1,5 | 3,5 | 3,9 | 0,5 | 0,7 | 0,7 | 1,45 | 3,5 | 4,7 |
| B6-B7 | 0,5 | 0,7 | 0,7 | 1,5 | 3,5 | 4,1 | 0,5 | 0,7 | 0,7 | 1,5 | 3,5 | 4,1 |
| V5-V1 | 0,5 | 0,7 | 0,9 | 1,5 | 3,5 | 4,7 | 0,5 | 0,7 | 0,9 | 1,5 | 3,5 | 4,7 |
| V6-V3 | 0,5 | 0,7 | 0,7 | 1,5 | 3,5 | 4,1 | 0,5 | 0,7 | 0,7 | 1,5 | 3,5 | 4,1 |

| H - CH | 032/033 | 042/043 | 052/053 | 062/063 | 082/083 | 102/103 | 122/123 | 142/143 |
|--------|---------|---------|---------|---------|---------|---------|---------|---------|
| B3-B5 | 0,8 | 1,2 | 1,4 | 2,4 | 4,5 | 8,1 | 12,5 | 22,5 |
| B8 | 0,85 | 1,2 | 1,4 | 3,1 | 5 | 8,9 | 12,5 | 20 |
| B6-B7 | 1 | 1,2 | 1,8 | 3 | 4,6 | 8,4 | 12,1 | 22,5 |
| V5-V1 | 1,3 | 1,75 | 2,15 | 3,9 | 7,6 | 12,7 | 20,5 | 30,5 |
| V6-V3 | 1,2 | 1,7 | 2,1 | 4,4 | 7,5 | 14,2 | 21 | 38 |

2.10 MOMENTS OF INERTIA

The following values of J1 moment of inertia are only estimated, referred to the maximum calculated, and to the gearbox input side.

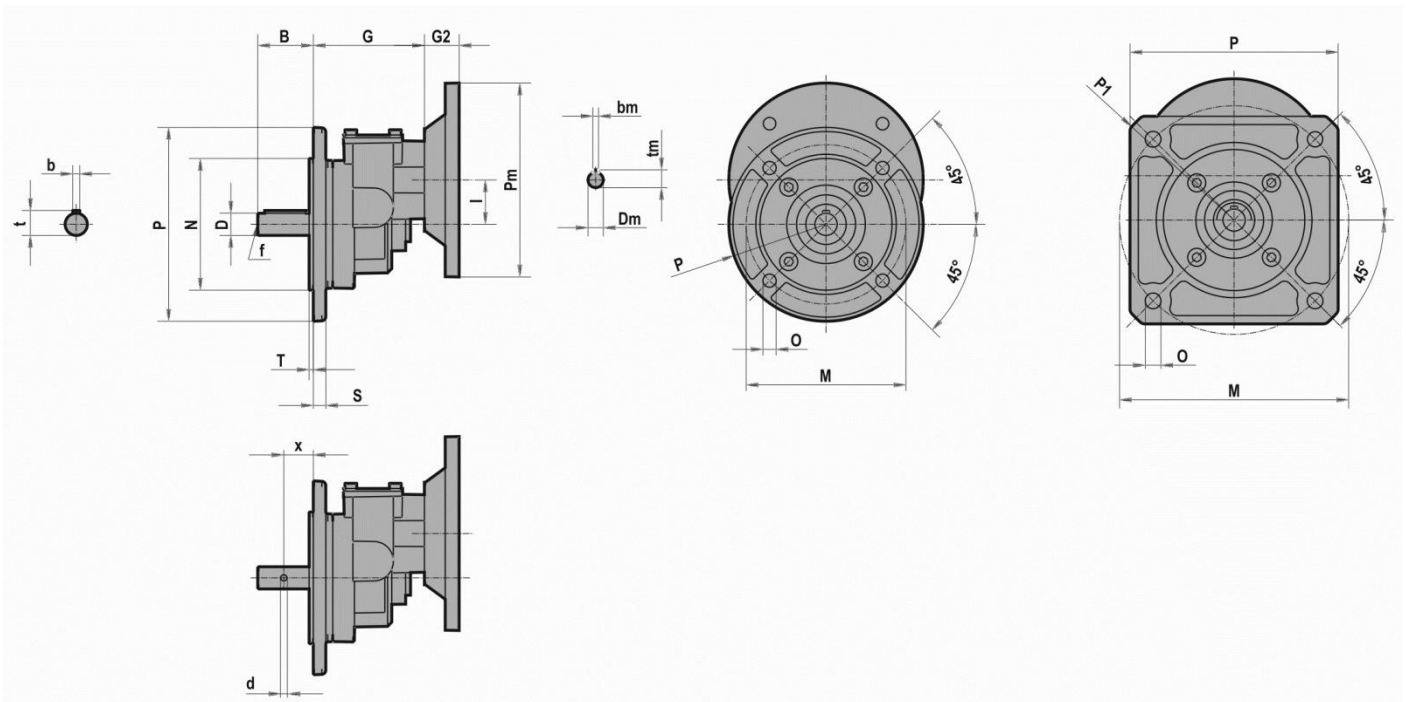
| HA-1 | J ₁ [Kg*m ²] |
|------|-------------------------------------|
| A31 | 0,0001 |
| A41 | 0,0001 |
| A51 | 0,0001 |
| A61 | 0,0004 |

| HR-1 | J ₁ [Kg*m ²] |
|------|-------------------------------------|
| 041 | 0,0001 |
| 051 | 0,0002 |
| 061 | 0,0005 |
| 081 | 0,0011 |
| 101 | 0,0035 |
| 121 | 0,0076 |

| HA-2/3 | J ₁ [Kg*m ²] |
|---------|-------------------------------------|
| A32/A33 | 0,0001 |
| A42/A43 | 0,0001 |
| A52/A53 | 0,0003 |
| A62/A63 | 0,0003 |

| H-2/3 | J ₁ [Kg*m ²] |
|---------|-------------------------------------|
| 032/033 | 0,0001 |
| 042/043 | 0,0001 |
| 052/053 | 0,0001 |
| 062/063 | 0,0002 |
| 082/083 | 0,0007 |
| 102/103 | 0,0010 |
| 122/123 | 0,0028 |
| 142/143 | 0,0044 |

3.1.1 HA31



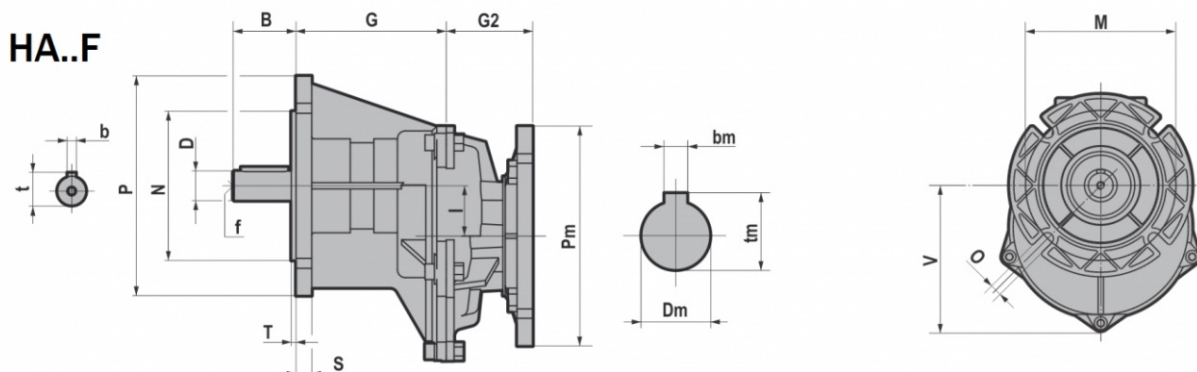
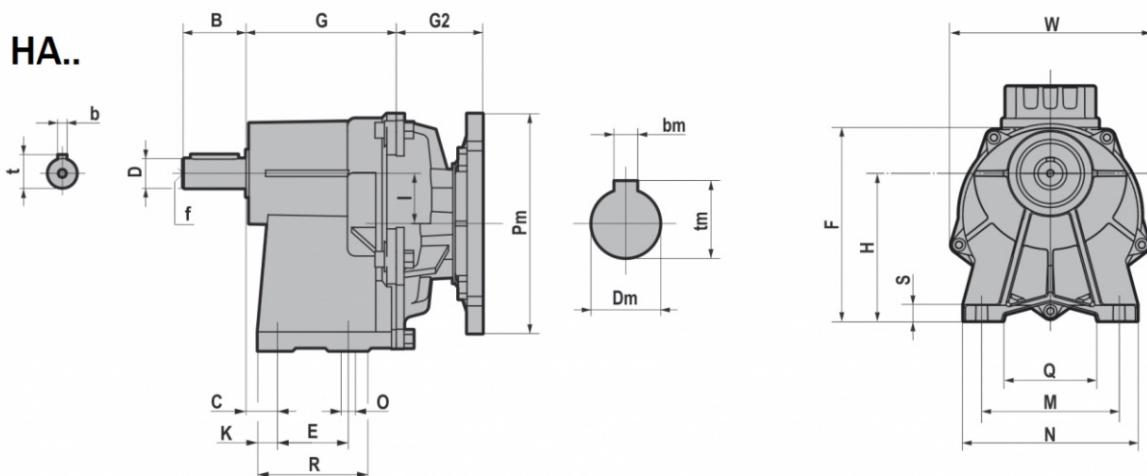
| | D | B | b | t | x | d | f | G | I |
|------|---------------|-----|---|------|----|-----|----|----|----|
| HA31 | 11 j6 | 23 | 4 | 12,5 | - | - | - | 80 | 32 |
| | 14 j6 | 30 | 5 | 16 | - | - | M6 | | |
| | 16 j6 | 40 | 5 | 18 | - | - | M6 | | |
| | 19 j6 | 40 | 6 | 21,5 | - | - | M6 | | |
| | 16 j6 | 50 | - | - | 29 | 7 | - | | |
| | 19 0/-0,2 | 60 | - | - | 37 | 6,5 | - | | |
| | 19,7 +/- 0,05 | 100 | - | - | 50 | 6 | M8 | | |
| | 20 j6 | 75 | - | - | 45 | 6 | - | | |

| | P | P1 | M | N | O | S | T |
|------|-----|-----|-----|-------|-----------|---|---|
| HA31 | 116 | 150 | 127 | - | M8 (n.4) | - | - |
| | 138 | 160 | 127 | - | M8 (n.4) | - | - |
| | 140 | - | 115 | 95 f7 | 9,5 (n.4) | 9 | 3 |
| | 150 | 200 | 165 | - | 11 (n.4) | - | - |

| IEC | Pm x Dm | G2 |
|-----|---------|----|
| 063 | 140x11 | 25 |
| 071 | 160x14 | 32 |
| 080 | 200x19 | 42 |

| B5 | Pm | Dm | bm | tm |
|-----|-----|----|----|------|
| 063 | 140 | 11 | 4 | 12,8 |
| 071 | 160 | 14 | 5 | 16,3 |
| 080 | 200 | 19 | 6 | 21,8 |

3.1.2 HA.1



| | D j6 | B | C | E | F | G | H | I | K | M | N | O | Q | R | S | W | b | t | f |
|--------|------|----|-----|----|-------|------|-----|------|------|-----|-----|----|-----|-----|----|-----|---|------|----|
| HA41/F | 16 | 40 | 20 | 45 | 151 | 95,5 | 113 | 32 | 12,5 | 105 | 130 | 9 | 75 | 70 | 12 | 152 | 5 | 18 | M6 |
| | 19 | | | | | | | | | | | | | | | | 6 | 21,5 | M6 |
| HA51/F | 24 | 50 | 6 | 70 | 169 | 104 | 130 | 32 | 15 | 150 | 180 | 11 | 115 | 100 | 12 | 152 | 8 | 27 | M8 |
| HA61/F | 28 | 60 | 7,5 | 70 | 219,5 | 129 | 165 | 47,5 | 20 | 165 | 200 | 11 | 120 | 110 | 15 | 218 | 8 | 31 | M8 |
| | 24 | 50 | | | | | | | | | | | | | | | 8 | 27 | M8 |

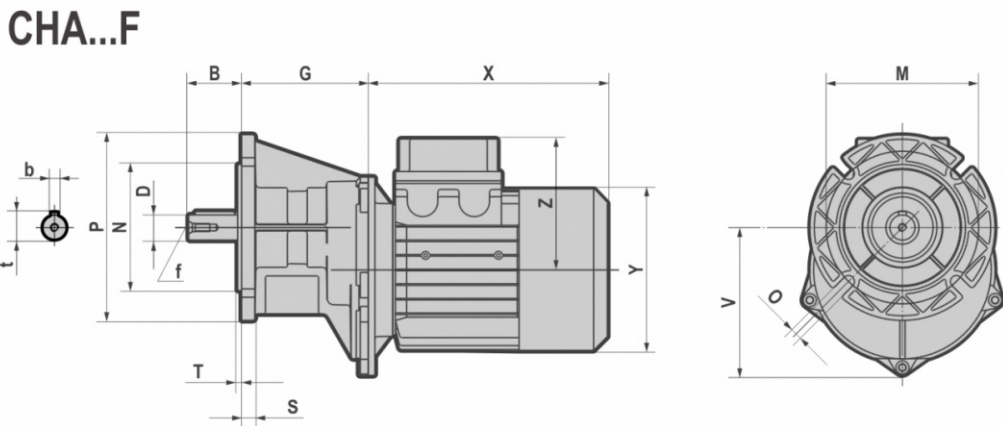
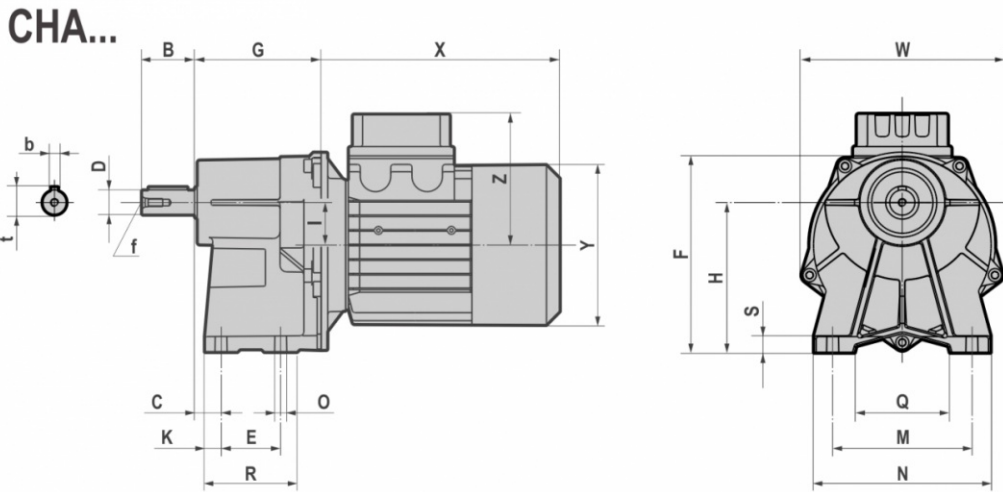
| | M | N f8 | O | P | S | T | V |
|-------|-----|------|----------|-----|----|-----|-------|
| HA41F | 115 | 95 | 9 (n.4) | 140 | 10 | 3 | 111,5 |
| HA51F | 130 | 110 | 9 (n.4) | 160 | 10 | 3,5 | 111,5 |
| HA61F | 165 | 130 | 11 (n.4) | 200 | 15 | 3,5 | 161,5 |

| IEC | G2 | | HA41/F - HA51/F | HA61/F |
|---------|---------|---------|-----------------|--------|
| | Pm x Dm | Pm x Dm | | |
| 063 | 140X11 | 090x11 | 55 | / |
| 071 | 160X14 | 105x14 | 55 | / |
| 080 | 200X19 | 120x19 | 86 | 87,5 |
| 090 | 200X24 | 140x24 | 86 | 87,5 |
| 100-112 | 250X28 | 160x28 | / | 87,5 |

| B5 | Pm | Dm | bm | tm |
|-----|-----|----|----|------|
| 063 | 140 | 11 | 4 | 12,8 |
| 071 | 160 | 14 | 5 | 16,3 |
| 080 | 200 | 19 | 6 | 21,8 |
| 090 | 200 | 24 | 8 | 27,3 |
| 100 | 250 | 28 | 8 | 31,3 |
| 112 | 250 | 28 | 8 | 31,3 |

| B14 | Pm | Dm | bm | tm |
|-----|-----|----|----|------|
| 071 | 105 | 14 | 5 | 16,3 |
| 080 | 120 | 19 | 6 | 21,8 |
| 090 | 140 | 24 | 8 | 27,3 |
| 100 | 160 | 28 | 8 | 31,3 |
| 112 | 160 | 28 | 8 | 31,3 |

3.1.3 CHA.1



| | D j6 | B | C | E | F | G | H | I | K | M | N | O | Q | R | S | W | b | t | f |
|---------|------|----|-----|----|-------|------|-----|------|------|-----|-----|----|-----|-----|----|-----|---|------|----|
| CHA41/F | 16 | 40 | 20 | 45 | 151 | 95,5 | 113 | 32 | 12,5 | 105 | 130 | 9 | 75 | 70 | 12 | 152 | 5 | 18 | M6 |
| | 19 | | | | | | | | | | | | | | | | 6 | 21,5 | M6 |
| CHA51/F | 24 | 50 | 6 | 70 | 169 | 104 | 130 | 32 | 15 | 150 | 180 | 11 | 115 | 100 | 12 | 152 | 8 | 27 | M8 |
| CHA61/F | 28 | 60 | 7,5 | 70 | 219,5 | 129 | 165 | 47,5 | 20 | 165 | 200 | 11 | 120 | 110 | 15 | 218 | 8 | 31 | M8 |
| | 24 | 50 | | | | | | | | | | | | | | | 8 | 27 | M8 |

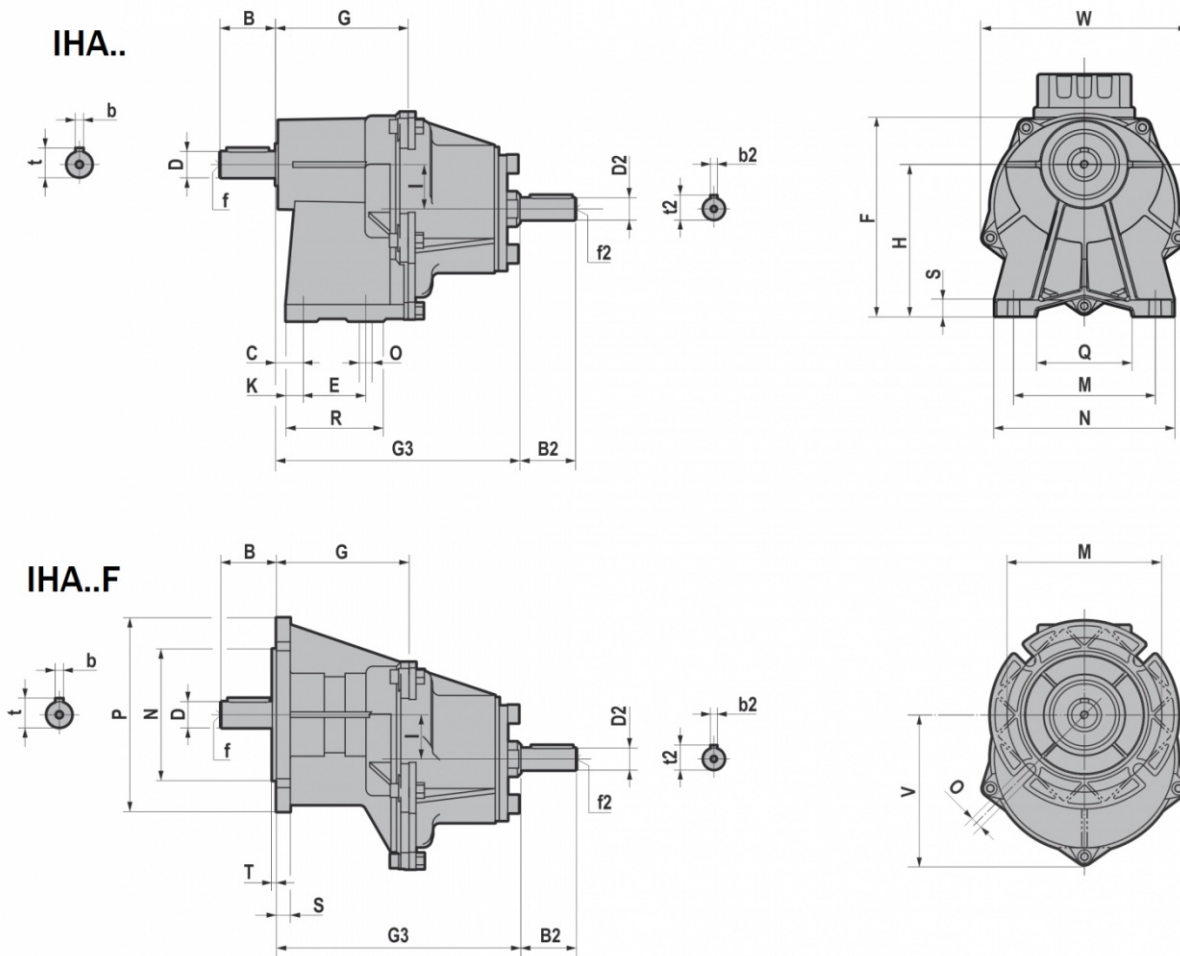
| | M | N f8 | O | P | S | T | V |
|--------|-----|------|----------|-----|----|-----|-------|
| CHA41F | 115 | 95 | 9 (n.4) | 140 | 10 | 3 | 111,5 |
| CHA51F | 130 | 110 | 9 (n.4) | 160 | 10 | 3,5 | 111,5 |
| CHA61F | 165 | 130 | 11 (n.4) | 200 | 15 | 3,5 | 161,5 |

| | | T (IE1 - IE2 - IE3) | | | | | | |
|--------------------|---|---------------------|-----|---------------|---------------|---------------|-----|---------------|
| | | 063 | 071 | 080 | 090S | 090L | 100 | 112 |
| CHA41/F CHA51/F | X | 180 | 205 | 223 *(246) | 232 *(265) | 257 *(290) | / | / |
| | Y | 121 | 139 | 158 | 173 | 173 | / | / |
| | Z | 104 | 112 | 122 | 130 | 130 | / | / |
| CHA61/F | X | / | / | 218 *(241) | 232 *(265) | 257 *(290) | 290 | 302 *(326) |
| | Y | / | / | 158 | 173 | 173 | 191 | 211 |
| | Z | / | / | 122 | 130 | 130 | 139 | 154 |

| | | TB (IE1 - IE2 - IE3) | | | | | | |
|--------------------|---|----------------------|-----|---------------|---------------|---------------|-----|---------------|
| | | 063 | 071 | 080 | 090S | 090L | 100 | 112 |
| CHA41/F CHA51/F | X | 238 | 271 | 294 *(317) | 309 *(342) | 334 *(367) | / | / |
| | Y | 121 | 139 | 158 | 173 | 173 | / | / |
| | Z | 119 | 129 | 137 | 157 | 157 | / | / |
| CHA61/F | X | / | / | 290 *(313) | 309 *(342) | 334 *(367) | 372 | 400 *(424) |
| | Y | / | / | 158 | 173 | 173 | 191 | 211 |
| | Z | / | / | 137 | 157 | 157 | 230 | 230 |

*TP80B4, TP90S4, TP90L4, TP90S6, TP112M4, TP112M6

3.1.4 IHA.1

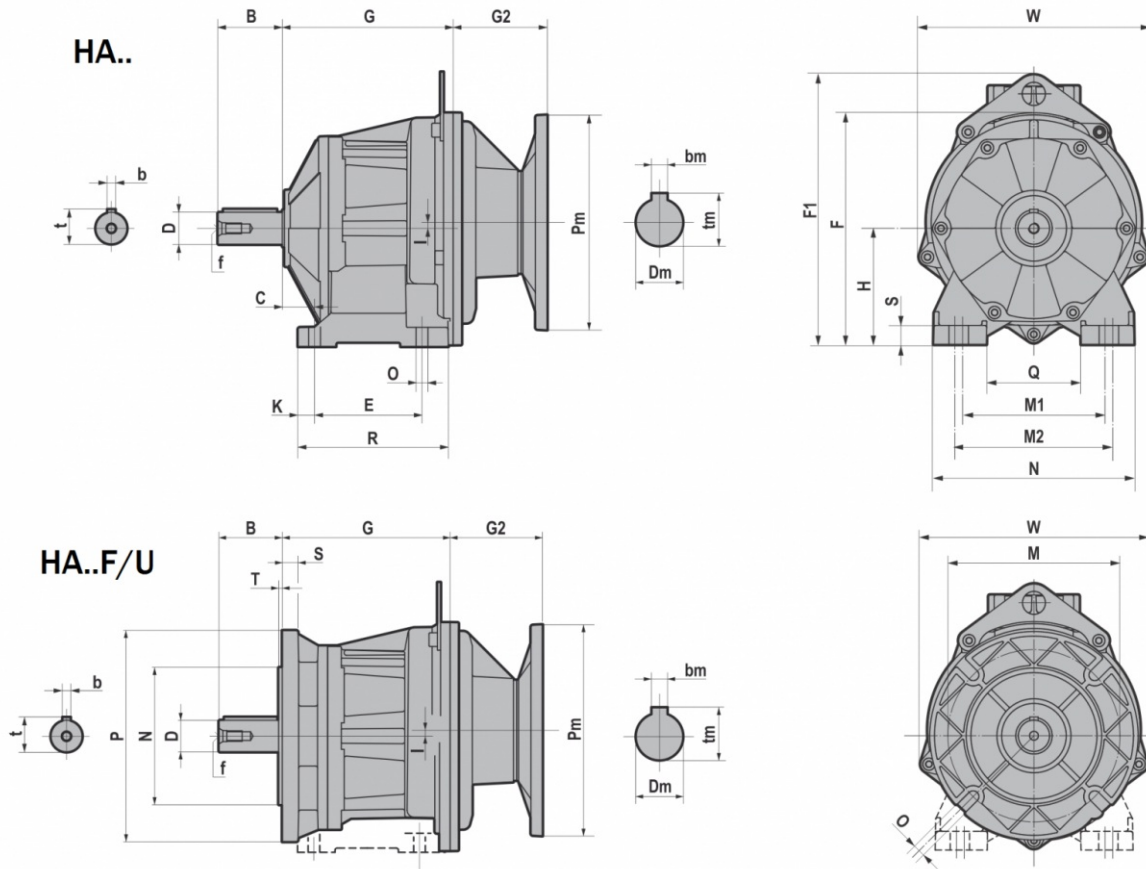


| | D j6 | B | C | E | F | G | H | I | K | M | N | O | Q | R | S | W | b | t | f |
|---------|------|----|-----|----|-------|------|-----|------|------|-----|-----|----|-----|-----|----|-----|---|------|----|
| IHA41/F | 16 | | | | | | | | | | | | | | | | 5 | 18 | M6 |
| | 19 | 40 | 20 | 45 | 151 | 95,5 | 113 | 32 | 12,5 | 105 | 130 | 9 | 75 | 70 | 12 | 152 | 6 | 21,5 | M6 |
| IHA51/F | 24 | 50 | 6 | 70 | 169 | 104 | 130 | 32 | 15 | 150 | 180 | 11 | 115 | 100 | 12 | 152 | 8 | 27 | M8 |
| IHA61/F | 28 | 60 | | 70 | 219,5 | 129 | 165 | 47,5 | 20 | 165 | 200 | 11 | 120 | 110 | 15 | 218 | 8 | 31 | M8 |
| | 24 | 50 | 7,5 | 70 | 219,5 | 129 | 165 | 47,5 | 20 | 165 | 200 | 11 | 120 | 110 | 15 | 218 | 8 | 27 | M8 |

| | M | N f8 | O | P | S | T | V |
|--------|-----|------|----------|-----|----|-----|-------|
| IHA41F | 115 | 95 | 9 (n.4) | 140 | 10 | 3 | 111,5 |
| IHA51F | 130 | 110 | 9 (n.4) | 160 | 10 | 3,5 | 111,5 |
| IHA61F | 165 | 130 | 11 (n.4) | 200 | 15 | 3,5 | 161,5 |

| | G3 | D2 j6 | B2 | b2 | f2 | t2 |
|---------|-------|-------|----|----|----|------|
| IHA41/F | 176 | 16 | 40 | 5 | M6 | 18 |
| IHA51/F | 184,5 | 16 | 40 | 5 | M6 | 18 |
| IHA61/F | 209 | 19 | 40 | 6 | M6 | 21,5 |

3.1.5 HA.2



| HA../F/U | D j6 | B | b | t | f | C | E | F | F1 | G | H | I | K | M1 | M2 | N | O | Q | R | S | W |
|----------|-------|----|----|------|-----|----|-----|-------|-------|-------|-----|------|------|-----|-----|-----|----|-----|-----|----|-----|
| HA32 | 20 | 40 | 6 | 22,5 | M6 | 18 | 80 | 155 | / | 117,5 | 75 | 10 | 13 | 110 | 120 | 145 | 9 | 75 | 111 | 15 | 152 |
| | 19 | 40 | 6 | 21,5 | M6 | | | | | | | | | | | | | | | | |
| | 16 | 40 | 5 | 18 | M6 | | | | | | | | | | | | | | | | |
| | 14 | 30 | 5 | 16 | M6 | | | | | | | | | | | | | | | | |
| HA42 | 25 | 50 | 8 | 28 | M10 | 25 | 85 | 160 | / | 124,5 | 80 | 10 | 13 | 110 | 120 | 145 | 9 | 75 | 111 | 15 | 152 |
| | 28 | 60 | 8 | 31 | M10 | | | | | | | | | | | | | | | | |
| | 24 | 50 | 8 | 27 | M8 | | | | | | | | | | | | | | | | |
| | 22 | 50 | 6 | 24,5 | M8 | | | | | | | | | | | | | | | | |
| | 20 | 40 | 6 | 22,5 | M6 | | | | | | | | | | | | | | | | |
| HA52 | 19 | 40 | 6 | 21,5 | M6 | 30 | 100 | 217,5 | 255,5 | 159 | 110 | 5,5 | 15,5 | 135 | 150 | 190 | 11 | 90 | 140 | 18 | 218 |
| | 30 | 60 | 8 | 33 | M10 | | | | | | | | | | | | | | | | |
| | 35 | 70 | 10 | 38 | M12 | | | | | | | | | | | | | | | | |
| | 32 | 60 | 10 | 35 | M10 | | | | | | | | | | | | | | | | |
| | 28 | 60 | 8 | 31 | M10 | | | | | | | | | | | | | | | | |
| | 25 | 50 | 8 | 28 | M10 | | | | | | | | | | | | | | | | |
| HA62 | 24 | 50 | 8 | 27 | M8 | 35 | 110 | 237,5 | 275,5 | 168 | 120 | 15,5 | 20 | 170 | 185 | 230 | 14 | 120 | 150 | 20 | 218 |
| | 40 | 80 | 12 | 43 | M16 | | | | | | | | | | | | | | | | |
| | 35 k6 | 70 | 10 | 38 | M12 | | | | | | | | | | | | | | | | |
| | 30 | 60 | 8 | 33 | M10 | | | | | | | | | | | | | | | | |
| | 28 | 60 | 8 | 31 | M10 | | | | | | | | | | | | | | | | |

3.1 REDUCERS/GEARED MOTORS

| | P | M | N f8 | O | G | I | S | T | W |
|---------|-----|-----|------|----------|-------|------|----|-----|-----|
| HA32F/U | 140 | 115 | 95 | 9 (n.4) | 117,5 | 10 | 10 | 3 | 152 |
| | 120 | 100 | 80 | | | | | | |
| HA42F/U | 160 | 130 | 110 | 9 (n.4) | 124,5 | 10 | 10 | 3,5 | 152 |
| | 140 | 115 | 95 | | | | | | |
| HA52F/U | 200 | 165 | 130 | 11 (n.4) | 159 | 5,5 | 15 | 3,5 | 218 |
| | 160 | 130 | 110 | | | | | | |
| HA62F/U | 250 | 215 | 180 | 14 (n.4) | 168 | 15,5 | 15 | 4 | 218 |
| | 200 | 165 | 130 | | | | | | |

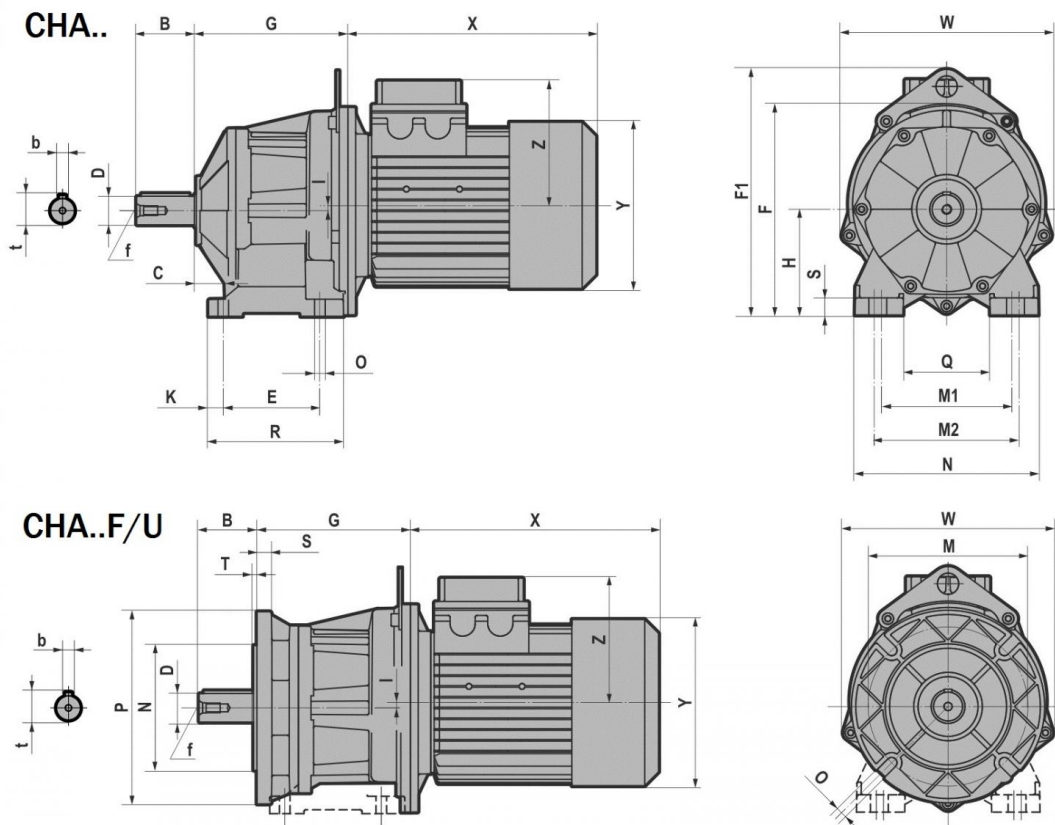
| IEC | Pm x Dm | Pm x Dm | G2 | |
|---------|---------|---------|-------------------|-------------------|
| | | | HA32F/U - HA42F/U | HA52F/U - HA62F/U |
| 063 | 140X11 | 090x11 | 55,0 | / |
| 071 | 160X14 | 105x14 | 55,0 | / |
| 080 | 200X19 | 120x19 | 86,0 | 87,5 |
| 090 | 200X24 | 140x24 | 86,0 | 87,5 |
| 100-112 | 250X28 | 160x28 | / | 87,5 |

| B5 | Pm | Dm | bm | tm |
|-----|-----|----|----|------|
| 063 | 140 | 11 | 4 | 12,8 |
| 071 | 160 | 14 | 5 | 16,3 |
| 080 | 200 | 19 | 6 | 21,8 |
| 090 | 200 | 24 | 8 | 27,3 |
| 100 | 250 | 28 | 8 | 31,3 |
| 112 | 250 | 28 | 8 | 31,3 |

| B14 | Pm | Dm | bm | tm |
|-----|-----|----|----|------|
| 071 | 105 | 14 | 5 | 16,3 |
| 080 | 120 | 19 | 6 | 21,8 |
| 090 | 140 | 24 | 8 | 27,3 |
| 100 | 160 | 28 | 8 | 31,3 |
| 112 | 160 | 28 | 8 | 31,3 |

3.1 REDUCERS/GEARED MOTORS

3.1.6 CHA.2



| CHA../F/U | Dj6 | B | b | t | f | C | E | F | F1 | G | H | I | K | M1 | M2 | N | O | Q | R | S | W |
|-----------|-------|----|----|------|-----|----|-----|-------|-------|-------|-----|------|------|-----|-----|-----|----|-----|-----|----|-----|
| CHA32 | 20 | 40 | 6 | 22,5 | M6 | 18 | 80 | 155 | / | 117,5 | 75 | 10 | 13 | 110 | 120 | 145 | 9 | 75 | 111 | 15 | 152 |
| | 19 | 40 | 6 | 21,5 | M6 | | | | | | | | | | | | | | | | |
| | 16 | 40 | 5 | 18 | M6 | | | | | | | | | | | | | | | | |
| | 14 | 30 | 5 | 16 | M6 | | | | | | | | | | | | | | | | |
| CHA42 | 25 | 50 | 8 | 28 | M10 | 25 | 85 | 160 | / | 124,5 | 80 | 10 | 13 | 110 | 120 | 145 | 9 | 75 | 111 | 15 | 152 |
| | 28 | 60 | 8 | 31 | M10 | | | | | | | | | | | | | | | | |
| | 24 | 50 | 8 | 27 | M8 | | | | | | | | | | | | | | | | |
| | 22 | 50 | 6 | 24,5 | M8 | | | | | | | | | | | | | | | | |
| | 20 | 40 | 6 | 22,5 | M6 | | | | | | | | | | | | | | | | |
| CHA52 | 19 | 40 | 6 | 21,5 | M6 | 30 | 100 | 217,5 | 255,5 | 159 | 110 | 5,5 | 15,5 | 135 | 150 | 190 | 11 | 90 | 140 | 18 | 218 |
| | 30 | 60 | 8 | 33 | M10 | | | | | | | | | | | | | | | | |
| | 35 | 70 | 10 | 38 | M12 | | | | | | | | | | | | | | | | |
| | 32 | 60 | 10 | 35 | M10 | | | | | | | | | | | | | | | | |
| | 28 | 60 | 8 | 31 | M10 | | | | | | | | | | | | | | | | |
| | 25 | 50 | 8 | 28 | M10 | | | | | | | | | | | | | | | | |
| CHA62 | 24 | 50 | 8 | 27 | M8 | 35 | 110 | 237,5 | 275,5 | 168 | 120 | 15,5 | 20 | 170 | 185 | 230 | 14 | 120 | 150 | 20 | 218 |
| | 40 | 80 | 12 | 43 | M16 | | | | | | | | | | | | | | | | |
| | 35 k6 | 70 | 10 | 38 | M12 | | | | | | | | | | | | | | | | |
| | 30 | 60 | 8 | 33 | M10 | | | | | | | | | | | | | | | | |
| | 28 | 60 | 8 | 31 | M10 | | | | | | | | | | | | | | | | |

3.1 REDUCERS/GEARED MOTORS

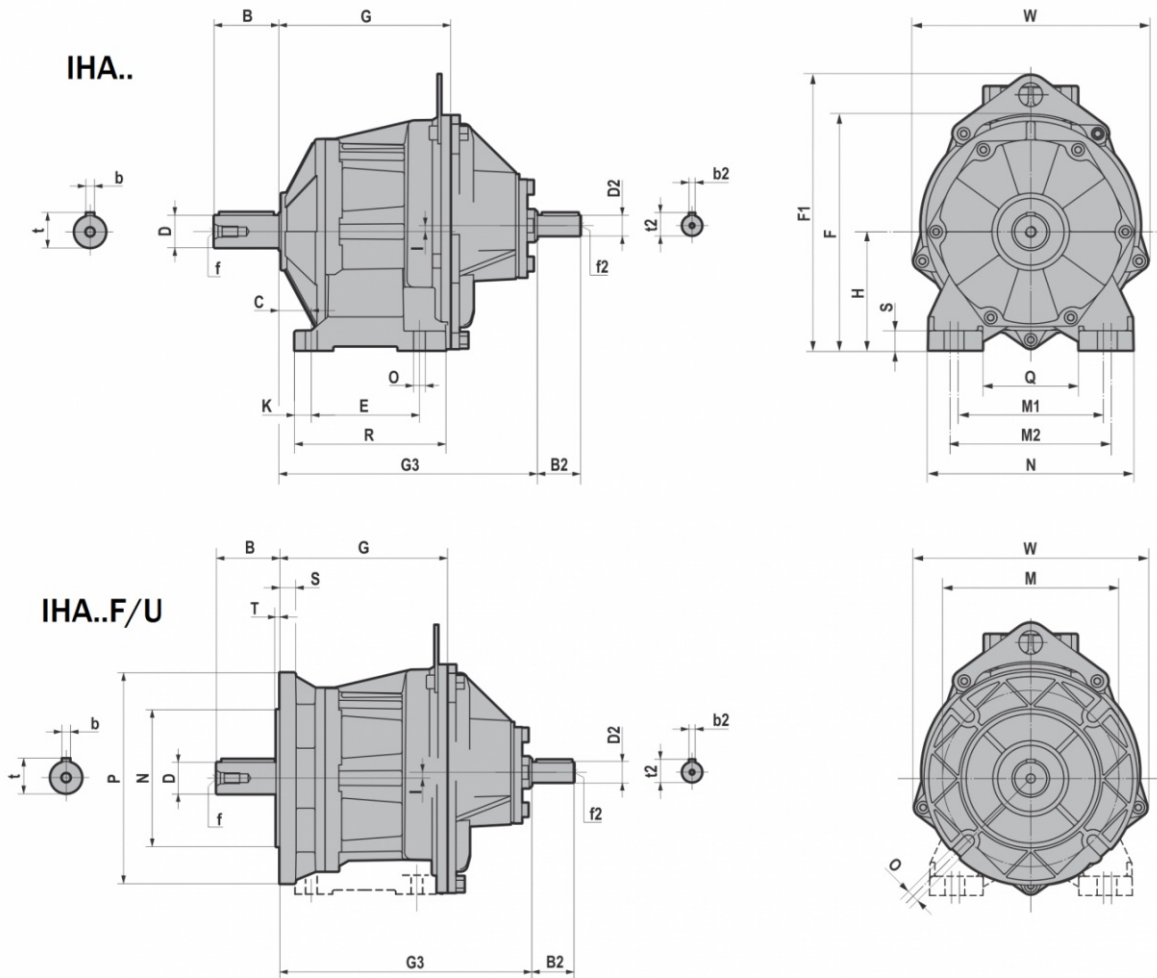
| | P | M | N f8 | O | G | I | S | T | W |
|----------|-----|-----|------|----------|-------|------|----|-----|-----|
| CHA32F/U | 140 | 115 | 95 | 9 (n.4) | 117,5 | 10 | 10 | 3 | 152 |
| | 120 | 100 | 80 | | | | | | |
| CHA42F/U | 160 | 130 | 110 | 9 (n.4) | 124,5 | 10 | 10 | 3,5 | 152 |
| | 140 | 115 | 95 | | | | | | |
| CHA52F/U | 200 | 165 | 130 | 11 (n.4) | 159 | 5,5 | 15 | 3,5 | 218 |
| | 160 | 130 | 110 | | | | | | |
| CHA62F/U | 250 | 215 | 180 | 14 (n.4) | 168 | 15,5 | 15 | 4 | 218 |
| | 200 | 165 | 130 | | | | | | |

| | | T (IE1 - IE2 - IE3) | | | | | | |
|----------------|---|---------------------|-----|---------------|---------------|---------------|-----|---------------|
| CHA..F/U | | O63 | O71 | O80 | O90S | O90L | 100 | 112 |
| CHA32 CHA42 | X | 180 | 205 | 223 *(246) | 232 *(265) | 257 *(290) | / | / |
| | Y | 121 | 139 | 158 | 173 | 173 | / | / |
| | Z | 104 | 112 | 122 | 130 | 130 | / | / |
| CHA52 CHA62 | X | / | / | 218 *(241) | 232 *(265) | 257 *(290) | 290 | 302 *(326) |
| | Y | / | / | 158 | 173 | 173 | 191 | 211 |
| | Z | / | / | 122 | 130 | 130 | 139 | 154 |

| | | TB (IE1 - IE2 - IE3) | | | | | | |
|----------------|---|----------------------|-----|---------------|---------------|---------------|-----|---------------|
| CHA..F/U | | O63 | O71 | O80 | O90S | O90L | 100 | 112 |
| CHA32 CHA42 | X | 238 | 271 | 294 *(317) | 309 *(342) | 334 *(367) | / | / |
| | Y | 121 | 139 | 158 | 173 | 173 | / | / |
| | Z | 119 | 129 | 137 | 157 | 157 | / | / |
| CHA52 CHA62 | X | / | / | 290 *(313) | 309 *(342) | 334 *(367) | 372 | 400 *(424) |
| | Y | / | / | 158 | 173 | 173 | 191 | 211 |
| | Z | / | / | 137 | 157 | 157 | 230 | 230 |

*TP80B4, TP90S4, TP90L4, TP90S6, TP112M4, TP112M6

3.1.7 IHA.2



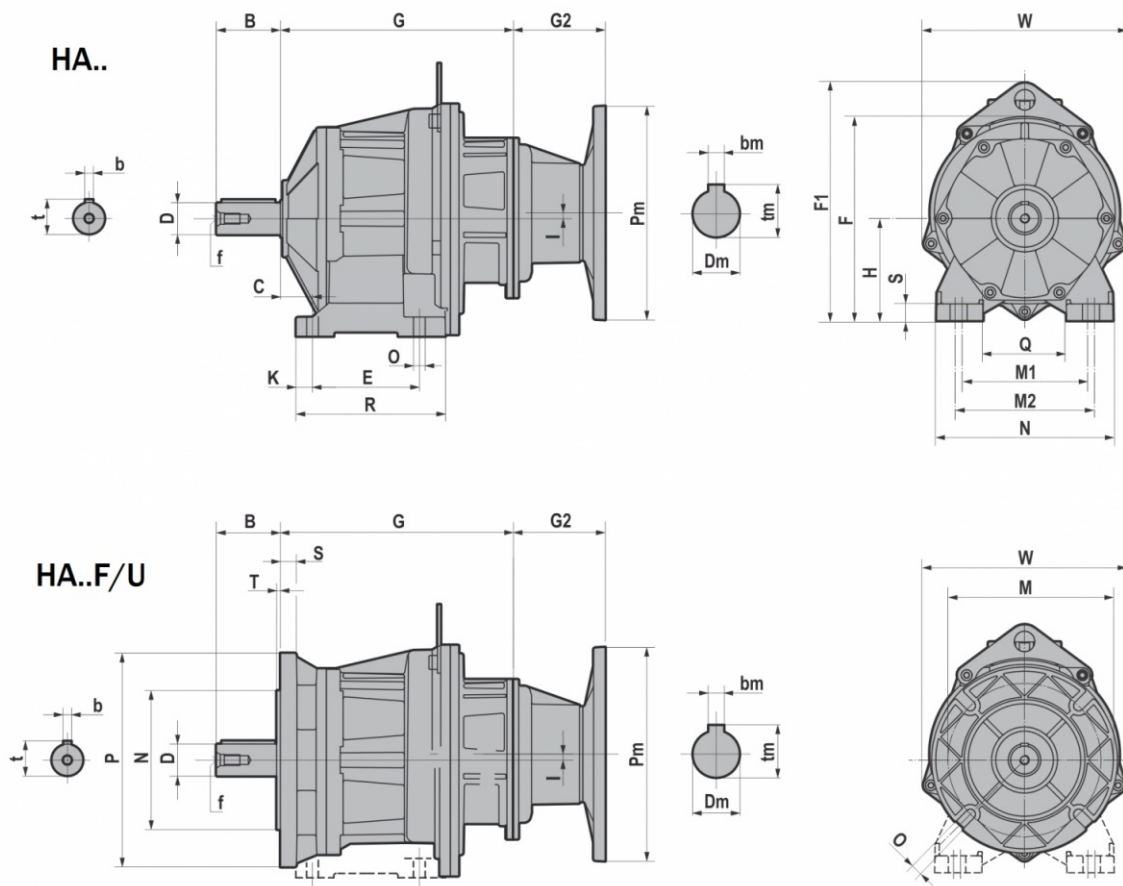
| IHA../F/U | Dj6 | B | b | t | f | C | E | F | F1 | G | H | I | K | M1 | M2 | N | O | Q | R | S | W |
|-----------|-------|----|----|------|-----|----|-----|-------|-------|-------|-----|------|------|-----|-----|-----|----|-----|-----|----|-----|
| IHA32 | 20 | 40 | 6 | 22,5 | M6 | 18 | 80 | 155 | / | 117,5 | 75 | 10 | 13 | 110 | 120 | 145 | 9 | 75 | 111 | 15 | 152 |
| | 19 | 40 | 6 | 21,5 | M6 | | | | | | | | | | | | | | | | |
| | 16 | 40 | 5 | 18 | M6 | | | | | | | | | | | | | | | | |
| | 14 | 30 | 5 | 16 | M6 | | | | | | | | | | | | | | | | |
| IHA42 | 25 | 50 | 8 | 28 | M10 | 25 | 85 | 160 | / | 124,5 | 80 | 10 | 13 | 110 | 120 | 145 | 9 | 75 | 111 | 15 | 152 |
| | 28 | 60 | 8 | 31 | M10 | | | | | | | | | | | | | | | | |
| | 24 | 50 | 8 | 27 | M8 | | | | | | | | | | | | | | | | |
| | 22 | 50 | 6 | 24,5 | M8 | | | | | | | | | | | | | | | | |
| | 20 | 40 | 6 | 22,5 | M6 | | | | | | | | | | | | | | | | |
| IHA52 | 19 | 40 | 6 | 21,5 | M6 | 30 | 100 | 217,5 | 255,5 | 159 | 110 | 5,5 | 15,5 | 135 | 150 | 190 | 11 | 90 | 140 | 18 | 218 |
| | 30 | 60 | 8 | 33 | M10 | | | | | | | | | | | | | | | | |
| | 35 | 70 | 10 | 38 | M12 | | | | | | | | | | | | | | | | |
| | 32 | 60 | 10 | 35 | M10 | | | | | | | | | | | | | | | | |
| | 28 | 60 | 8 | 31 | M10 | | | | | | | | | | | | | | | | |
| | 25 | 50 | 8 | 28 | M10 | | | | | | | | | | | | | | | | |
| IHA62 | 24 | 50 | 8 | 27 | M8 | 35 | 110 | 237,5 | 275,5 | 168 | 120 | 15,5 | 20 | 170 | 185 | 230 | 14 | 120 | 150 | 20 | 218 |
| | 40 | 80 | 12 | 43 | M16 | | | | | | | | | | | | | | | | |
| | 35 k6 | 70 | 10 | 38 | M12 | | | | | | | | | | | | | | | | |
| | 30 | 60 | 8 | 33 | M10 | | | | | | | | | | | | | | | | |
| | 28 | 60 | 8 | 31 | M10 | | | | | | | | | | | | | | | | |

3.1 REDUCERS/GEARED MOTORS

| | P | M | N f8 | O | G | I | S | T | W |
|----------|-----|-----|------|----------|-------|------|----|-----|-----|
| IHA32F/U | 140 | 115 | 95 | 9 (n.4) | 117,5 | 10 | 10 | 3 | 152 |
| | 120 | 100 | 80 | | | | | | |
| IHA42F/U | 160 | 130 | 110 | 9 (n.4) | 124,5 | 10 | 10 | 3,5 | 152 |
| | 140 | 115 | 95 | | | | | | |
| IHA52F/U | 200 | 165 | 130 | 11 (n.4) | 159 | 5,5 | 15 | 3,5 | 218 |
| | 160 | 130 | 110 | | | | | | |
| IHA62F/U | 250 | 215 | 180 | 14 (n.4) | 168 | 15,5 | 15 | 4 | 218 |
| | 200 | 165 | 130 | | | | | | |

| | G3 | D2 j6 | B2 | b2 | f2 | t2 |
|-----------|-----|-------|----|----|----|------|
| IHA32/F/U | 198 | 16 | 40 | 5 | M6 | 18 |
| IHA42/F/U | 205 | 16 | 40 | 5 | M6 | 18 |
| IHA52/F/U | 239 | 19 | 40 | 6 | M6 | 21,5 |
| IHA62/F/U | 248 | 19 | 40 | 6 | M6 | 21,5 |

3.1.8 HA.3



| HA..F/U | D j6 | B | b | t | f | C | E | F | F1 | G | H | I | K | M1 | M2 | N | O | Q | R | S | W |
|---------|-------|----|----|------|-----|----|-----|-------|-------|-------|-----|------|------|-----|-----|-----|----|-----|-----|----|-----|
| HA33 | 20 | 40 | 6 | 22,5 | M6 | 18 | 80 | 155 | / | 117,5 | 75 | 10 | 13 | 110 | 120 | 145 | 9 | 75 | 111 | 15 | 152 |
| | 19 | 40 | 6 | 21,5 | M6 | | | | | | | | | | | | | | | | |
| | 16 | 40 | 5 | 18 | M6 | | | | | | | | | | | | | | | | |
| | 14 | 30 | 5 | 16 | M6 | | | | | | | | | | | | | | | | |
| HA43 | 25 | 50 | 8 | 28 | M10 | 25 | 85 | 160 | / | 124,5 | 80 | 10 | 13 | 110 | 120 | 145 | 9 | 75 | 111 | 15 | 152 |
| | 28 | 60 | 8 | 31 | M10 | | | | | | | | | | | | | | | | |
| | 24 | 50 | 8 | 27 | M8 | | | | | | | | | | | | | | | | |
| | 22 | 50 | 6 | 24,5 | M8 | | | | | | | | | | | | | | | | |
| | 20 | 40 | 6 | 22,5 | M6 | | | | | | | | | | | | | | | | |
| HA53 | 19 | 40 | 6 | 21,5 | M6 | 30 | 100 | 217,5 | 255,5 | 159 | 110 | 5,5 | 15,5 | 135 | 150 | 190 | 11 | 90 | 140 | 18 | 218 |
| | 30 | 60 | 8 | 33 | M10 | | | | | | | | | | | | | | | | |
| | 35 | 70 | 10 | 38 | M12 | | | | | | | | | | | | | | | | |
| | 32 | 60 | 10 | 35 | M10 | | | | | | | | | | | | | | | | |
| | 28 | 60 | 8 | 31 | M10 | | | | | | | | | | | | | | | | |
| | 25 | 50 | 8 | 28 | M10 | | | | | | | | | | | | | | | | |
| HA63 | 24 | 50 | 8 | 27 | M8 | 35 | 110 | 237,5 | 275,5 | 168 | 120 | 15,5 | 20 | 170 | 185 | 230 | 14 | 120 | 150 | 20 | 218 |
| | 40 | 80 | 12 | 43 | M16 | | | | | | | | | | | | | | | | |
| | 35 k6 | 70 | 10 | 38 | M12 | | | | | | | | | | | | | | | | |
| | 30 | 60 | 8 | 33 | M10 | | | | | | | | | | | | | | | | |
| | 28 | 60 | 8 | 31 | M10 | | | | | | | | | | | | | | | | |

3.1 REDUCERS/GEARED MOTORS

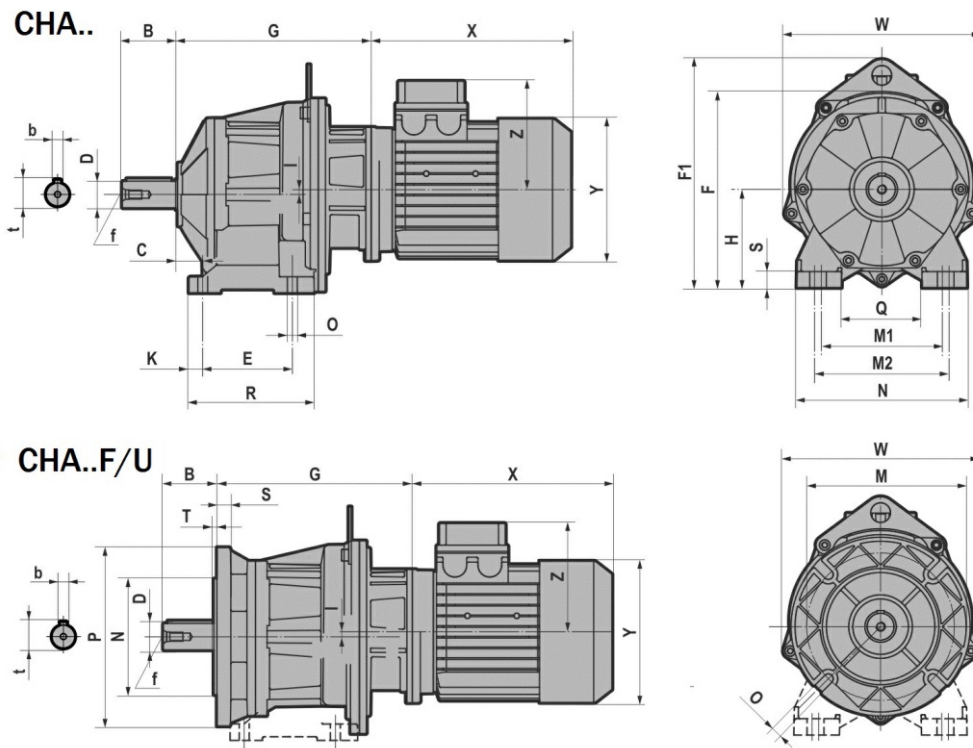
| | P | M | N f8 | O | G | I | S | T | W |
|---------|-----|-----|------|----------|-------|------|----|-----|-----|
| HA33F/U | 140 | 115 | 95 | 9 (n.4) | 117,5 | 10 | 10 | 3 | 152 |
| | 120 | 100 | 80 | | | | | | |
| HA43F/U | 160 | 130 | 110 | 9 (n.4) | 124,5 | 10 | 10 | 3,5 | 152 |
| | 140 | 115 | 95 | | | | | | |
| HA53F/U | 200 | 165 | 130 | 11 (n.4) | 159 | 5,5 | 15 | 3,5 | 218 |
| | 160 | 130 | 110 | | | | | | |
| HA63F/U | 250 | 215 | 180 | 14 (n.4) | 168 | 15,5 | 15 | 4 | 218 |
| | 200 | 165 | 130 | | | | | | |

| | | | G2 |
|-----|---------|---------|---|
| IEC | Pm x Dm | Pm x Dm | HA33/F/U - HA43/F/U - HA53/F/U - HA63/F/U |
| 063 | 140X11 | 090x11 | 55 |
| 071 | 160X14 | 105x14 | 55 |
| 080 | 200X19 | 120x19 | 86 |
| 090 | 200X24 | 140x24 | 86 |

| B5 | Pm | Dm | bm | tm |
|-----|-----|----|----|------|
| 063 | 140 | 11 | 4 | 12,8 |
| 071 | 160 | 14 | 5 | 16,3 |
| 080 | 200 | 19 | 6 | 21,8 |
| 090 | 200 | 24 | 8 | 27,3 |

| B14 | Pm | Dm | bm | tm |
|-----|-----|----|----|------|
| 071 | 105 | 14 | 5 | 16,3 |
| 080 | 120 | 19 | 6 | 21,8 |
| 090 | 140 | 24 | 8 | 27,3 |

3.1.9 CHA.3



| CHA..F/U | D j6 | B | b | t | f | C | E | F | F1 | G | H | I | K | M1 | M2 | N | O | Q | R | S | W |
|----------|-------|----|----|------|-----|----|-----|-------|-------|-------|-----|------|------|-----|-----|-----|----|-----|-----|----|-----|
| CHA33 | 20 | 40 | 6 | 22,5 | M6 | 18 | 80 | 155 | / | 117,5 | 75 | 10 | 13 | 110 | 120 | 145 | 9 | 75 | 111 | 15 | 152 |
| | 19 | 40 | 6 | 21,5 | M6 | | | | | | | | | | | | | | | | |
| | 16 | 40 | 5 | 18 | M6 | | | | | | | | | | | | | | | | |
| | 14 | 30 | 5 | 16 | M6 | | | | | | | | | | | | | | | | |
| CHA43 | 25 | 50 | 8 | 28 | M10 | 25 | 85 | 160 | / | 124,5 | 80 | 10 | 13 | 110 | 120 | 145 | 9 | 75 | 111 | 15 | 152 |
| | 28 | 60 | 8 | 31 | M10 | | | | | | | | | | | | | | | | |
| | 24 | 50 | 8 | 27 | M8 | | | | | | | | | | | | | | | | |
| | 22 | 50 | 6 | 24,5 | M8 | | | | | | | | | | | | | | | | |
| | 20 | 40 | 6 | 22,5 | M6 | | | | | | | | | | | | | | | | |
| CHA53 | 19 | 40 | 6 | 21,5 | M6 | 30 | 100 | 217,5 | 255,5 | 159 | 110 | 5,5 | 15,5 | 135 | 150 | 190 | 11 | 90 | 140 | 18 | 218 |
| | 30 | 60 | 8 | 33 | M10 | | | | | | | | | | | | | | | | |
| | 35 | 70 | 10 | 38 | M12 | | | | | | | | | | | | | | | | |
| | 32 | 60 | 10 | 35 | M10 | | | | | | | | | | | | | | | | |
| | 28 | 60 | 8 | 31 | M10 | | | | | | | | | | | | | | | | |
| | 25 | 50 | 8 | 28 | M10 | | | | | | | | | | | | | | | | |
| CHA63 | 24 | 50 | 8 | 27 | M8 | 35 | 110 | 237,5 | 275,5 | 168 | 120 | 15,5 | 20 | 170 | 185 | 230 | 14 | 120 | 150 | 20 | 218 |
| | 40 | 80 | 12 | 43 | M16 | | | | | | | | | | | | | | | | |
| | 35 k6 | 70 | 10 | 38 | M12 | | | | | | | | | | | | | | | | |
| | 30 | 60 | 8 | 33 | M10 | | | | | | | | | | | | | | | | |
| | 28 | 60 | 8 | 31 | M10 | | | | | | | | | | | | | | | | |

3.1 REDUCERS/GEARED MOTORS

| | P | M | N f8 | O | G | I | S | T | W |
|----------|-----|-----|------|----------|-------|------|----|-----|-----|
| CHA33F/U | 140 | 115 | 95 | 9 (n.4) | 117,5 | 10 | 10 | 3 | 152 |
| | 120 | 100 | 80 | | | | | | |
| CHA43F/U | 160 | 130 | 110 | 9 (n.4) | 124,5 | 10 | 10 | 3,5 | 152 |
| | 140 | 115 | 95 | | | | | | |
| CHA53F/U | 200 | 165 | 130 | 11 (n.4) | 159 | 5,5 | 15 | 3,5 | 218 |
| | 160 | 130 | 110 | | | | | | |
| CHA63F/U | 250 | 215 | 180 | 14 (n.4) | 168 | 15,5 | 15 | 4 | 218 |
| | 200 | 165 | 130 | | | | | | |

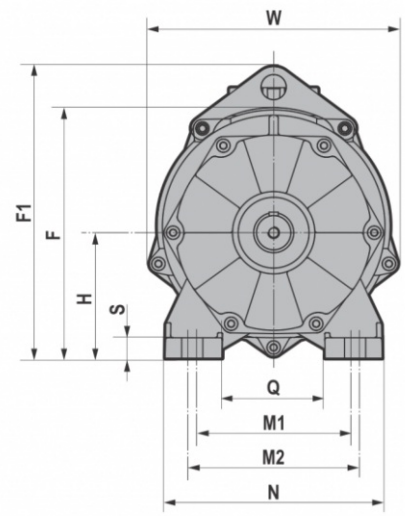
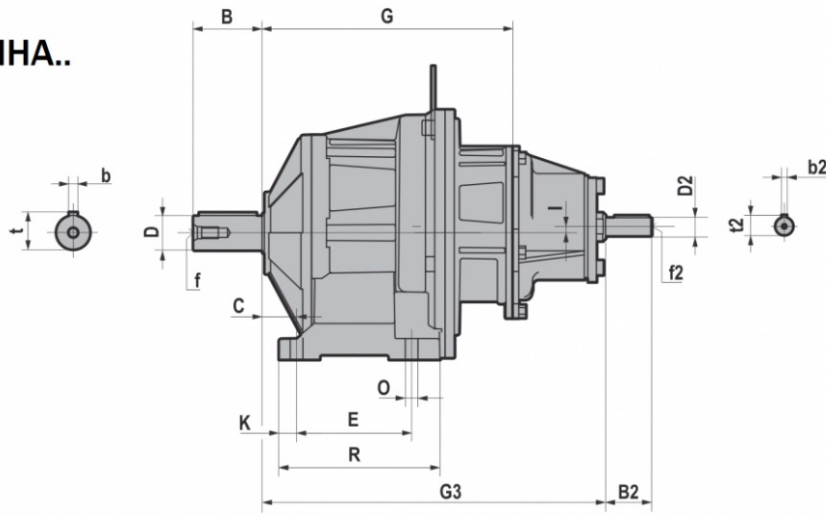
| T (IE1 - IE2 - IE3) | | | | | | |
|----------------------------------|---|-----|-----|---------------|---------------|---------------|
| CHA..F/U | | O63 | O71 | O80 | O90S | O90L |
| CHA33 CHA43 CHA53 CHA63 | X | 180 | 205 | 223 *(246) | 232 *(265) | 257 *(290) |
| | Y | 121 | 139 | 158 | 173 | 173 |
| | Z | 104 | 112 | 122 | 130 | 130 |

| TB (IE1 - IE2 - IE3) | | | | | | |
|----------------------------------|---|-----|-----|---------------|---------------|---------------|
| CHA..F/U | | O63 | O71 | O80 | O90S | O90L |
| CHA33 CHA43 CHA53 CHA63 | X | 238 | 271 | 294 *(317) | 309 *(342) | 334 *(367) |
| | Y | 121 | 139 | 158 | 173 | 173 |
| | Z | 119 | 129 | 137 | 157 | 157 |

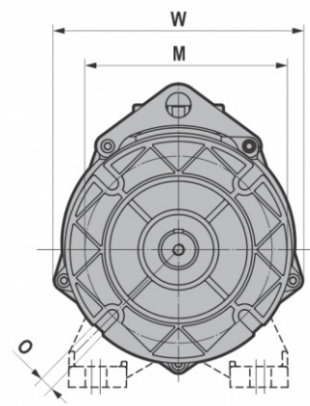
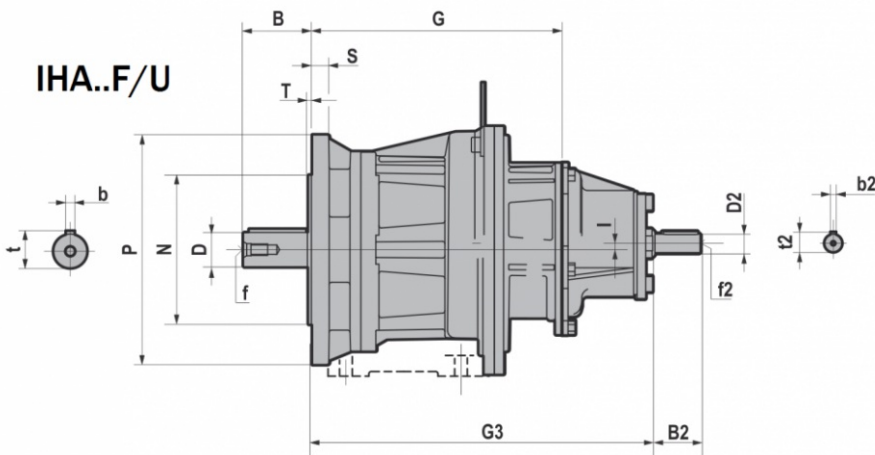
*TP80B4, TP90S4, TP90L4, TP90S6, TP112M4, TP112M6

3.1.10 IHA.3

IHA..



IHA..F/U



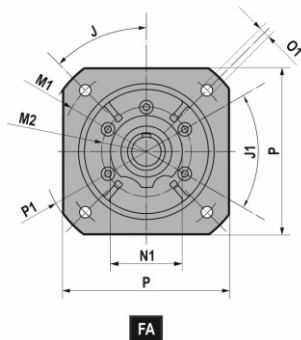
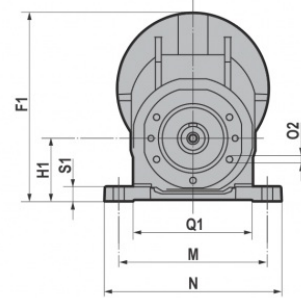
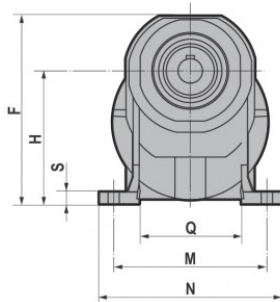
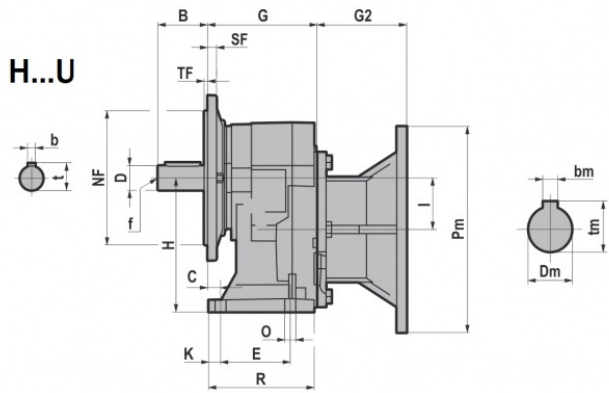
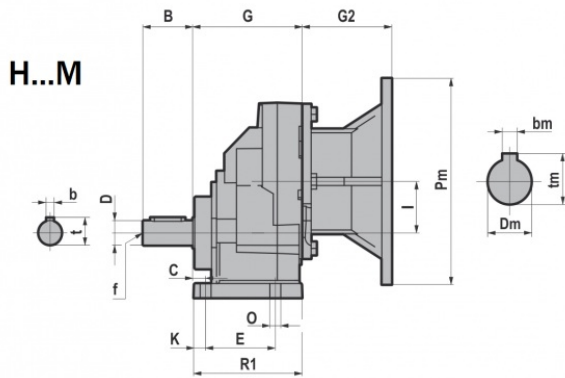
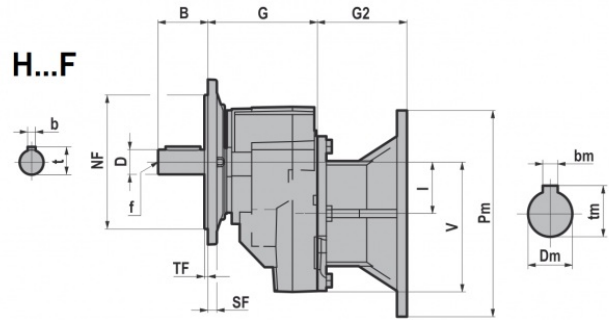
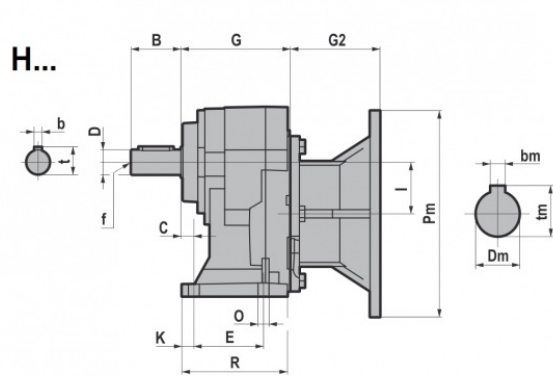
3.1 REDUCERS/GEARED MOTORS

| IHA..F/U | D j6 | B | b | t | f | C | E | F | F1 | G | H | I | K | M1 | M2 | N | O | Q | R | S | W |
|----------|-------|----|----|------|-----|----|-----|-------|-------|-------|-----|------|------|-----|-----|-----|----|-----|-----|----|-----|
| IHA33 | 20 | 40 | 6 | 22,5 | M6 | 18 | 80 | 155 | / | 117,5 | 75 | 10 | 13 | 110 | 120 | 145 | 9 | 75 | 111 | 15 | 152 |
| | 19 | 40 | 6 | 21,5 | M6 | | | | | | | | | | | | | | | | |
| | 16 | 40 | 5 | 18 | M6 | | | | | | | | | | | | | | | | |
| | 14 | 30 | 5 | 16 | M6 | | | | | | | | | | | | | | | | |
| IHA43 | 25 | 50 | 8 | 28 | M10 | 25 | 85 | 160 | / | 124,5 | 80 | 10 | 13 | 110 | 120 | 145 | 9 | 75 | 111 | 15 | 152 |
| | 28 | 60 | 8 | 31 | M10 | | | | | | | | | | | | | | | | |
| | 24 | 50 | 8 | 27 | M8 | | | | | | | | | | | | | | | | |
| | 22 | 50 | 6 | 24,5 | M8 | | | | | | | | | | | | | | | | |
| | 20 | 40 | 6 | 22,5 | M6 | | | | | | | | | | | | | | | | |
| | 19 | 40 | 6 | 21,5 | M6 | | | | | | | | | | | | | | | | |
| IHA53 | 30 | 60 | 8 | 33 | M10 | 30 | 100 | 217,5 | 255,5 | 159 | 110 | 5,5 | 15,5 | 135 | 150 | 190 | 11 | 90 | 140 | 18 | 218 |
| | 35 | 70 | 10 | 38 | M12 | | | | | | | | | | | | | | | | |
| | 32 | 60 | 10 | 35 | M10 | | | | | | | | | | | | | | | | |
| | 28 | 60 | 8 | 31 | M10 | | | | | | | | | | | | | | | | |
| | 25 | 50 | 8 | 28 | M10 | | | | | | | | | | | | | | | | |
| | 24 | 50 | 8 | 27 | M8 | | | | | | | | | | | | | | | | |
| IHA63 | 40 | 80 | 12 | 43 | M16 | 35 | 110 | 237,5 | 275,5 | 168 | 120 | 15,5 | 20 | 170 | 185 | 230 | 14 | 120 | 150 | 20 | 218 |
| | 35 k6 | 70 | 10 | 38 | M12 | | | | | | | | | | | | | | | | |
| | 30 | 60 | 8 | 33 | M10 | | | | | | | | | | | | | | | | |
| | 28 | 60 | 8 | 31 | M10 | | | | | | | | | | | | | | | | |

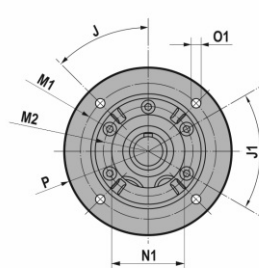
| | P | M | N f8 | O | G | I | S | T | W |
|----------|-----|-----|------|----------|-------|------|----|-----|-----|
| IHA33F/U | 140 | 115 | 95 | 9 (n.4) | 117,5 | 10 | 10 | 3 | 152 |
| | 120 | 100 | 80 | | | | | | |
| IHA43F/U | 160 | 130 | 110 | 9 (n.4) | 124,5 | 10 | 10 | 3,5 | 152 |
| | 140 | 115 | 95 | | | | | | |
| IHA53F/U | 200 | 165 | 130 | 11 (n.4) | 159 | 5,5 | 15 | 3,5 | 218 |
| | 160 | 130 | 110 | | | | | | |
| IHA63F/U | 250 | 215 | 180 | 14 (n.4) | 168 | 15,5 | 15 | 4 | 218 |
| | 200 | 165 | 130 | | | | | | |

| | G3 | D2 j6 | B2 | b2 | f2 | t2 |
|-------|-----|-------|----|----|----|----|
| IHA33 | 251 | 16 | 40 | 5 | M6 | 18 |
| IHA43 | 258 | 16 | 40 | 5 | M6 | 18 |
| IHA53 | 299 | 16 | 40 | 5 | M6 | 18 |
| IHA63 | 308 | 16 | 40 | 5 | M6 | 18 |

3.1.11 HR.1



FA



FB

FC

FD

3.1 REDUCERS/GEARED MOTORS

| HR.../F/U/M | D | B | C | E | F | F1 | G | H | HI | I | K | M | N | O | O2 | Q | Q1 | R | R1 | S | S1 | -V | b | t | f |
|-------------|-------|-----|----|-----|-------|-------|-----|-----|-----|-----|----|-----|-------------------|----|-----------------|-----|-------|------|-----|------|----|-------|----|------|-----|
| HR041 | 19 j6 | 40 | 13 | 45 | 168,5 | 168 | 100 | 120 | 50 | 42 | 12 | 105 | 130 125 (O41M) | 9 | M8x17 (n.5) | 74 | 55 | 86,5 | 98 | 9,5 | 8 | 118 | 6 | 21,5 | M6 |
| HR051 | 24 j6 | 50 | 13 | 70 | 183,5 | 189 | 110 | 130 | 63 | 50 | 12 | 150 | 178 | 11 | M8x17 (n.5) | 100 | 121,5 | 106 | 109 | 11,5 | 14 | 126 | 8 | 27 | M8 |
| HR061 | 28 j6 | 60 | 16 | 70 | 231 | 216 | 125 | 165 | 80 | 60 | 14 | 165 | 195 | 11 | M8x17 (n.5) | 110 | 135,5 | 120 | 123 | 15 | 16 | 136 | 8 | 31 | M10 |
| HR081 | 38 k6 | 80 | 25 | 85 | 277 | 284 | 135 | 195 | 100 | 80 | 23 | 185 | 230 232 (O81M) | 14 | M10x20 (n.7) | 123 | 151 | 130 | 135 | 15 | 20 | 184 | 10 | 41 | M12 |
| HR101 | 48 k6 | 110 | 19 | 130 | 355 | 377 | 180 | 252 | 125 | 100 | 17 | 240 | 295 | 18 | M10x20 (n.6) | 162 | 185,5 | 173 | 178 | 16 | 22 | 251,5 | 14 | 51,5 | M16 |
| HR121 | 55 m6 | 110 | 25 | 150 | 422 | 426,5 | 210 | 300 | 160 | 115 | 22 | 280 | 340 | 18 | M12x25 (n.7) | 183 | 224 | 202 | 207 | 19 | 25 | 266,5 | 16 | 59 | M20 |

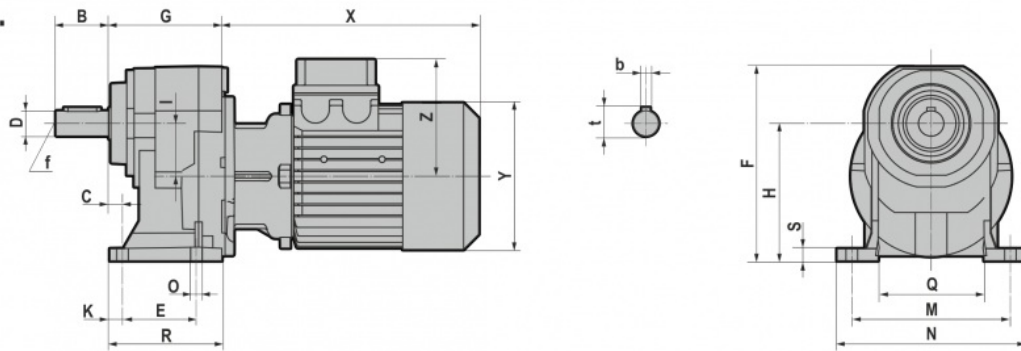
| | | J | J1 | M1 | M2 | NF f8 | N1 | O1 | P | P1 | SF | TF |
|----------------------|----|-----|-----|-------|------|-------|-----|----------|------|------|----|-----|
| HR041F/U HR051F/U | FA | 45° | 45° | Ø165 | Ø85 | 130 | 70 | 11 (n.4) | 160 | Ø200 | 9 | 3,5 |
| | FB | | | Ø130 | Ø85 | 110 | | 9 (n.4) | Ø160 | / | 9 | 3,5 |
| | FC | | | Ø115 | Ø85 | 95 | | 9 (n.4) | Ø140 | / | 9 | 3 |
| | FD | | | Ø100 | Ø85 | 80 | | M8 (n.4) | Ø120 | / | 9 | 3 |
| HR061F/U | FA | 45° | 45° | Ø215 | Ø105 | 180 | 90 | 14 (n.4) | 200 | Ø250 | 12 | 4 |
| | FB | | | Ø165 | Ø105 | 130 | | 11 (n.4) | Ø200 | / | 12 | 3,5 |
| HR081F/U HR101F/U | FA | 45° | 45° | Ø265 | Ø130 | 230 | 110 | 14 (n.4) | 250 | Ø300 | 15 | 4 |
| | FB | | | Ø215 | Ø130 | 180 | | 14 (n.4) | Ø250 | / | 15 | 4 |
| | FC | | | Ø165 | Ø130 | 130 | | 11 (n.4) | Ø200 | / | 15 | 3,5 |
| HR121F/U | FA | 45° | 45° | Ø300 | Ø165 | 250 | 130 | 18 (n.4) | 300 | Ø350 | 16 | 5 |
| | FB | | | Ø265 | Ø165 | 230 | | 14 (n.4) | Ø300 | / | 16 | 4 |
| | FC | | | Ø 215 | Ø165 | 180 | | 14 (n.4) | Ø250 | / | 16 | 4 |

| | | G2 | | | | | |
|---------|---------|------------|------------|------------|------------|------------|------------|
| IEC | Pm x Dm | HR041F/U/M | HR051F/U/M | HR061F/U/M | HR081F/U/M | HR101F/U/M | HR121F/U/M |
| 071 | 160x14 | 69,0 | 69,0 | / | / | / | / |
| 080 | 200x19 | 90,0 | 90,0 | 90,0 | 70,0 | / | / |
| 090 | 200x24 | 90,0 | 90,0 | 90,0 | 70,0 | / | / |
| 100-112 | 250x28 | / | 105,0 | 105,0 | 85,0 | 75,5 | / |
| 132 | 300x38 | / | / | / | 110,0 | 100,5 | 100,5 |
| 160 | 350x42 | / | / | / | / | 148,0 | 148,0 |
| 180 | 350x48 | / | / | / | / | 148,0 | 148,0 |
| 200 | 400x55 | / | / | / | / | / | 185,0 |

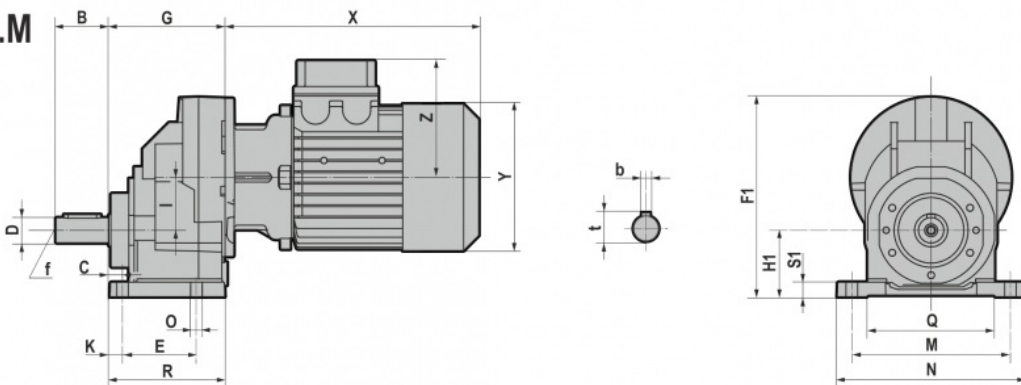
| B5 | Pm | Dm | bm | tm |
|-----|-----|----|----|------|
| 071 | 160 | 14 | 5 | 16,3 |
| 080 | 200 | 19 | 6 | 21,8 |
| 090 | 200 | 24 | 8 | 27,3 |
| 100 | 250 | 28 | 8 | 31,3 |
| 112 | 250 | 28 | 8 | 31,3 |
| 132 | 300 | 38 | 10 | 41,3 |
| 160 | 350 | 42 | 12 | 45,3 |
| 180 | 350 | 48 | 14 | 51,8 |
| 200 | 400 | 55 | 16 | 59,3 |

3.1.12 CHR..1

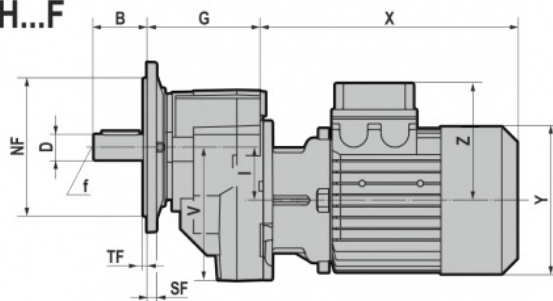
CH...



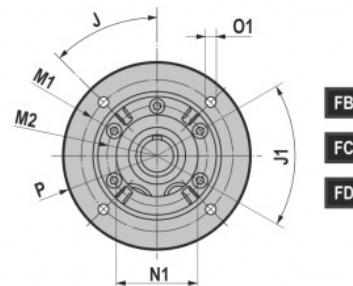
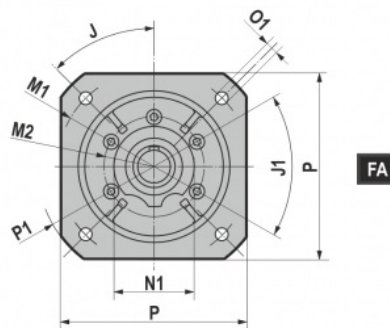
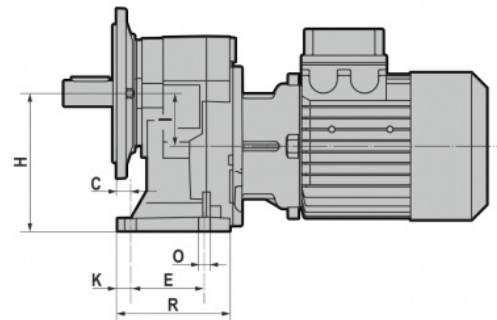
CH...M



CH...F



CH...U



3.1 REDUCERS/GEARED MOTORS

| CHR.../F/U/M | D | B | C | E | F | F1 | G | H | H1 | I | K | M | N | O | O2 | Q | Q1 | R | R1 | S | S1 | -V | b | t | f |
|--------------|----------|-----|----|-----|-------|-------|-----|-----|-----|-----|----|-----|----------------------|----|-----------------|-----|-------|------|-----|------|----|-------|----|------|-----|
| CHR041 | 19 j6 | 40 | 13 | 45 | 168,5 | 168 | 100 | 120 | 50 | 42 | 12 | 105 | 130 125 (041M) | 9 | M8x17 (n.5) | 74 | 55 | 86,5 | 98 | 9,5 | 8 | 118 | 6 | 21,5 | M6 |
| CHR051 | 24 j6 | 50 | 13 | 70 | 183,5 | 189 | 110 | 130 | 63 | 50 | 12 | 150 | 178 | 11 | M8x17 (n.5) | 100 | 121,5 | 106 | 109 | 11,5 | 14 | 126 | 8 | 27 | M8 |
| CHR061 | 28 j6 | 60 | 16 | 70 | 231 | 216 | 125 | 165 | 80 | 60 | 14 | 165 | 195 | 11 | M8x17 (n.5) | 110 | 135,5 | 120 | 123 | 15 | 16 | 136 | 8 | 31 | M10 |
| CHR081 | 38 k6 | 80 | 25 | 85 | 277 | 284 | 135 | 195 | 100 | 80 | 23 | 185 | 230 232 (081M) | 14 | M10x20 (n.7) | 123 | 151 | 130 | 135 | 15 | 20 | 184 | 10 | 41 | M12 |
| CHR101 | 48 k6 | 110 | 19 | 130 | 355 | 377 | 180 | 252 | 125 | 100 | 17 | 240 | 295 | 18 | M10x20 (n.6) | 162 | 185,5 | 173 | 178 | 16 | 22 | 251,5 | 14 | 51,5 | M16 |
| CHR121 | 55 m6 | 110 | 25 | 150 | 422 | 426,5 | 210 | 300 | 160 | 115 | 22 | 280 | 340 | 18 | M12x25 (n.7) | 183 | 224 | 202 | 207 | 19 | 25 | 266,5 | 16 | 59 | M20 |

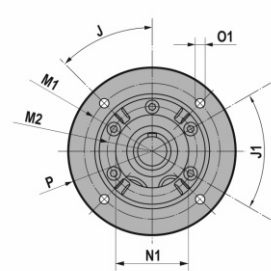
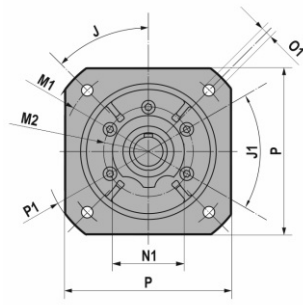
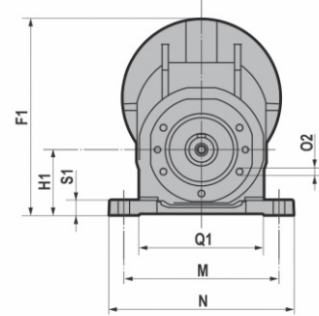
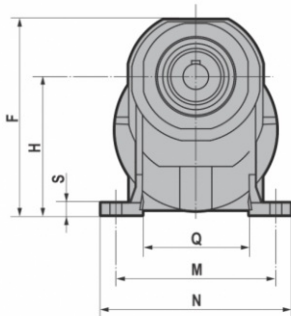
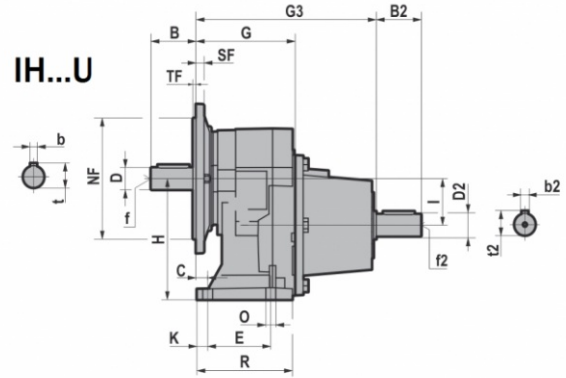
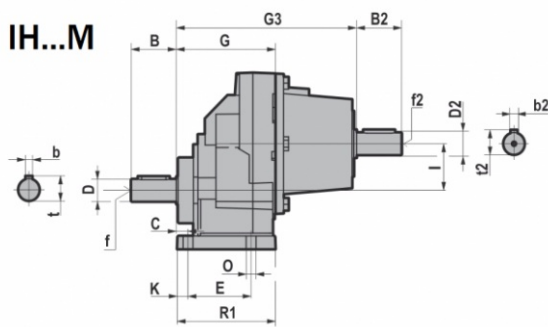
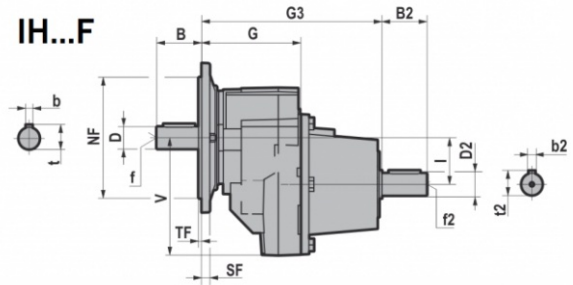
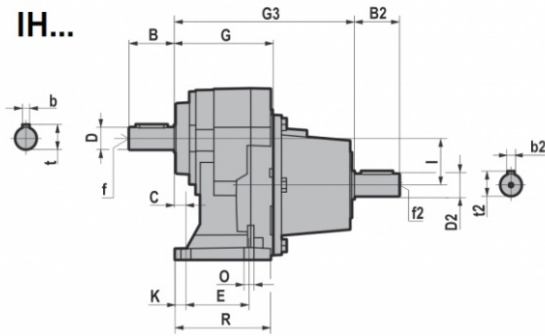
| | | J | J1 | M1 | M2 | NF f8 | N1 | O1 | P | P1 | SF | TF |
|------------------------|----|-----|-----|-------|------|-------|-----|----------|------|------|----|-----|
| CHR041F/U CHR051F/U | FA | 45° | 45° | Ø165 | Ø85 | 130 | 70 | 11 (n.4) | 160 | Ø200 | 9 | 3,5 |
| | FB | | | Ø130 | Ø85 | 110 | | 9 (n.4) | Ø160 | / | 9 | 3,5 |
| | FC | | | Ø115 | Ø85 | 95 | | 9 (n.4) | Ø140 | / | 9 | 3 |
| | FD | | | Ø100 | Ø85 | 80 | | M8 (n.4) | Ø120 | / | 9 | 3 |
| CHR061F/U | FA | 45° | 45° | Ø215 | Ø105 | 180 | 90 | 14 (n.4) | 200 | Ø250 | 12 | 4 |
| | FB | | | Ø165 | Ø105 | 130 | | 11 (n.4) | Ø200 | / | 12 | 3,5 |
| CHR081F/U CHR101F/U | FA | 45° | 45° | Ø265 | Ø130 | 230 | 110 | 14 (n.4) | 250 | Ø300 | 15 | 4 |
| | FB | | | Ø215 | Ø130 | 180 | | 14 (n.4) | Ø250 | / | 15 | 4 |
| | FC | | | Ø165 | Ø130 | 130 | | 11 (n.4) | Ø200 | / | 15 | 3,5 |
| CHR121F/U | FA | 45° | 45° | Ø300 | Ø165 | 250 | 130 | 18 (n.4) | 300 | Ø350 | 16 | 5 |
| | FB | | | Ø265 | Ø165 | 230 | | 14 (n.4) | Ø300 | / | 16 | 4 |
| | FC | | | Ø 215 | Ø165 | 180 | | 14 (n.4) | Ø250 | / | 16 | 4 |

| T (IE1 - IE2 - IE3) | | | | | | | | | | |
|----------------------------|-----|-----|-----|---------------|---------------|---------------|-----|---------------|--------|-----|
| CHR.../F/U/M | 063 | 071 | 080 | 090S | 090L | 100 | 112 | 132S | 132M/L | |
| CHR041 CHR051 CHR061 | X | 215 | 241 | 268 *(291) | 296 *(329) | 321 *(354) | 333 | 351 *(375) | / | / |
| | Y | 121 | 139 | 158 | 173 | 173 | 191 | 211 | / | / |
| | Z | 104 | 112 | 122 | 130 | 130 | 139 | 154 | / | / |
| CHR081 | X | / | 221 | 248 *(271) | 276 *(309) | 301 *(334) | 335 | 356 *(380) | 405 | 443 |
| | Y | / | 139 | 158 | 173 | 173 | 191 | 211 | 249 | 249 |
| | Z | / | 112 | 122 | 130 | 130 | 139 | 154 | 194 | 194 |
| CHR101 CHR121 | X | / | / | / | 267 *(300) | 292 *(325) | 326 | 347 *(371) | 396 | 434 |
| | Y | / | / | / | 173 | 173 | 191 | 211 | 249 | 249 |
| | Z | / | / | / | 130 | 130 | 139 | 154 | 194 | 194 |

| TB (IE1 - IE2 - IE3) | | | | | | | | | | |
|----------------------------|-----|-----|-------|---------------|---------------|---------------|-----|---------------|--------|-----|
| CHR.../F/U/M | 063 | 071 | 080 | 090S | 090L | 100 | 112 | 132S | 132M/L | |
| CHR041 CHR051 CHR061 | X | 273 | 306.5 | 341 *(364) | 373 *(406) | 398 *(431) | 415 | 448 *(472) | / | / |
| | Y | 121 | 139 | 158 | 173 | 173 | 191 | 211 | / | / |
| | Z | 119 | 129 | 137 | 157 | 157 | 168 | 183 | / | / |
| CHR081 | X | / | 286.5 | 321 *(344) | 353 *(386) | 378 *(411) | 417 | 453 *(477) | 505 | 547 |
| | Y | / | 139 | 158 | 173 | 173 | 191 | 211 | 249 | 249 |
| | Z | / | 129 | 137 | 157 | 157 | 168 | 183 | 230 | 230 |
| CHR101 CHR121 | X | / | / | / | 343 *(376) | 368 *(401) | 407 | 443 *(467) | 495 | 537 |
| | Y | / | / | / | 173 | 173 | 191 | 211 | 249 | 249 |
| | Z | / | / | / | 157 | 157 | 168 | 183 | 230 | 230 |

*TP80B4, TP90S4, TP90L4, TP90S6, TP112M4, TP112M6

3.1.13 IHR..1



FA

FB

FC

FD

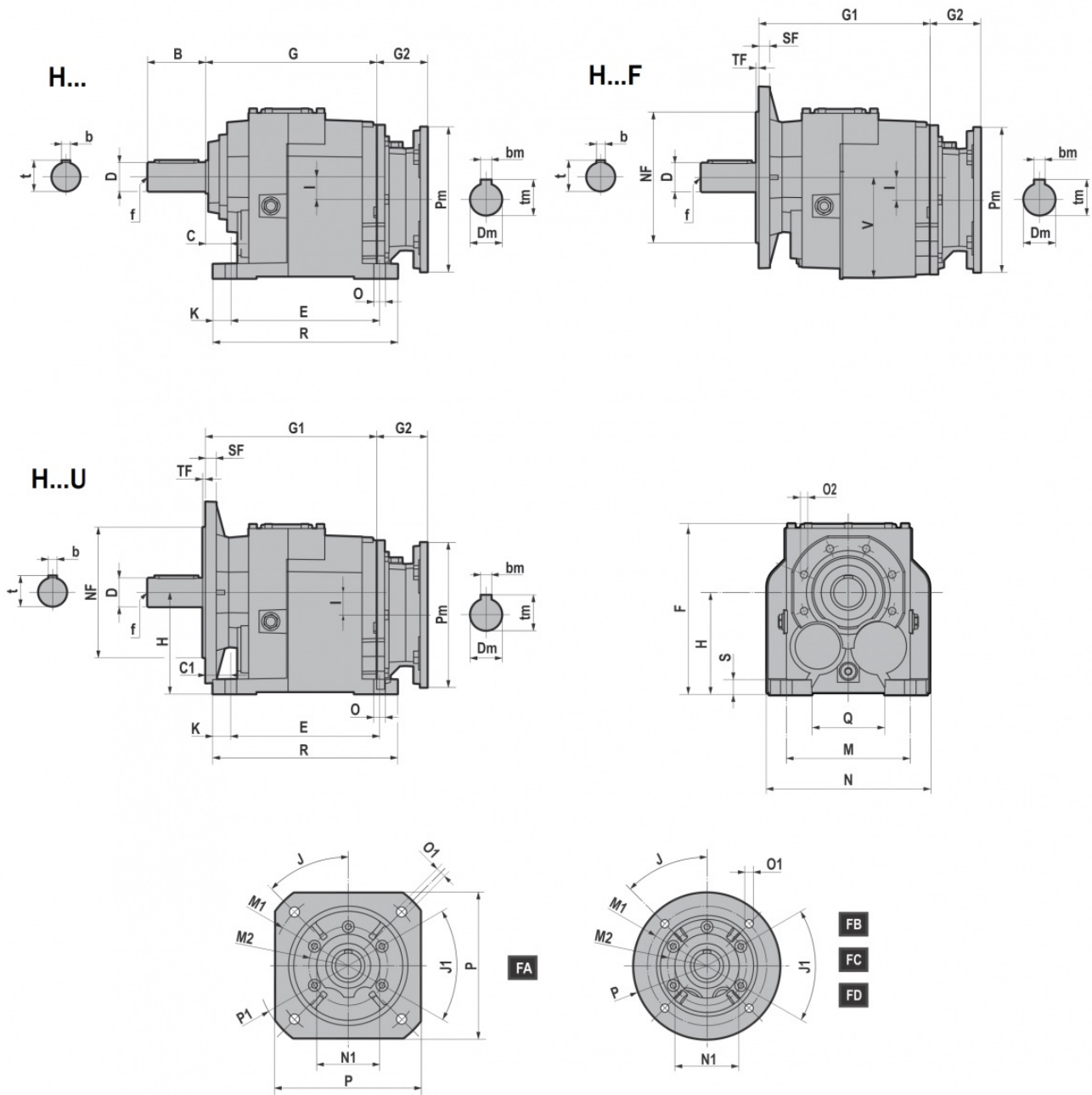
3.1 REDUCERS/GEARED MOTORS

| IHR.../F/U/M | D | B | C | E | F | F1 | G | H | H1 | I | K | M | N | O | O2 | Q | Q1 | R | R1 | S | S1 | -V | b | t | f |
|--------------|-------|-----|----|-----|-------|-------|-----|-----|-----|-----|----|-----|-------------------|----|-----------------|-----|-------|------|-----|------|----|-------|----|------|-----|
| IHR041 | 19 j6 | 40 | 13 | 45 | 168,5 | 168 | 100 | 120 | 50 | 42 | 12 | 105 | 130 125 (041M) | 9 | M8x17 (n.5) | 74 | 55 | 86,5 | 98 | 9,5 | 8 | 118 | 6 | 21,5 | M6 |
| IHR051 | 24 j6 | 50 | 13 | 70 | 183,5 | 189 | 110 | 130 | 63 | 50 | 12 | 150 | 178 | 11 | M8x17 (n.5) | 100 | 121,5 | 106 | 109 | 11,5 | 14 | 126 | 8 | 27 | M8 |
| IHR061 | 28 j6 | 60 | 16 | 70 | 231 | 216 | 125 | 165 | 80 | 60 | 14 | 165 | 195 | 11 | M8x17 (n.5) | 110 | 135,5 | 120 | 123 | 15 | 16 | 136 | 8 | 31 | M10 |
| IHR081 | 38 k6 | 80 | 25 | 85 | 277 | 284 | 135 | 195 | 100 | 80 | 23 | 185 | 230 232 (081M) | 14 | M10x20 (n.7) | 123 | 151 | 130 | 135 | 15 | 20 | 184 | 10 | 41 | M12 |
| IHR101 | 48 k6 | 110 | 19 | 130 | 355 | 377 | 180 | 252 | 125 | 100 | 17 | 240 | 295 | 18 | M10x20 (n.6) | 162 | 185,5 | 173 | 178 | 16 | 22 | 251,5 | 14 | 51,5 | M16 |
| IHR121 | 55 m6 | 110 | 25 | 150 | 422 | 426,5 | 210 | 300 | 160 | 115 | 22 | 280 | 340 | 18 | M12x25 (n.7) | 183 | 224 | 202 | 207 | 19 | 25 | 266,5 | 16 | 59 | M20 |

| | | J | J1 | M1 | M2 | NF f8 | N1 | O1 | P | P1 | SF | TF |
|------------------------|----|-----|-----|-------|------|-------|-----|----------|------|------|----|-----|
| IHR041F/U IHR051F/U | FA | 45° | 45° | Ø165 | Ø85 | 130 | 70 | 11 (n.4) | 160 | Ø200 | 9 | 3,5 |
| | FB | | | Ø130 | Ø85 | 110 | | 9 (n.4) | Ø160 | / | 9 | 3,5 |
| | FC | | | Ø115 | Ø85 | 95 | | 9 (n.4) | Ø140 | / | 9 | 3 |
| | FD | | | Ø100 | Ø85 | 80 | | M8 (n.4) | Ø120 | / | 9 | 3 |
| IHR061F/U | FA | 45° | 45° | Ø215 | Ø105 | 180 | 90 | 14 (n.4) | 200 | Ø250 | 12 | 4 |
| | FB | | | Ø165 | Ø105 | 130 | | 11 (n.4) | Ø200 | / | 12 | 3,5 |
| IHR081F/U IHR101F/U | FA | 45° | 45° | Ø265 | Ø130 | 230 | 110 | 14 (n.4) | 250 | Ø300 | 15 | 4 |
| | FB | | | Ø215 | Ø130 | 180 | | 14 (n.4) | Ø250 | / | 15 | 4 |
| | FC | | | Ø165 | Ø130 | 130 | | 11 (n.4) | Ø200 | / | 15 | 3,5 |
| IHR121F/U | FA | 45° | 45° | Ø300 | Ø165 | 250 | 130 | 18 (n.4) | 300 | Ø350 | 16 | 5 |
| | FB | | | Ø265 | Ø165 | 230 | | 14 (n.4) | Ø300 | / | 16 | 4 |
| | FC | | | Ø 215 | Ø165 | 180 | | 14 (n.4) | Ø250 | / | 16 | 4 |

| | G3 | B2 | D2 | b2 | t2 | f2 |
|--------|-------|----|-------|----|----|-----|
| IHR041 | 190 | 40 | 16 j6 | 5 | 18 | M6 |
| IHR051 | 200 | 50 | 24 j6 | 8 | 27 | M8 |
| IHR061 | 215 | 50 | 24 j6 | 8 | 27 | M8 |
| IHR081 | 248 | 60 | 28 j6 | 8 | 31 | M10 |
| IHR101 | 306,5 | 80 | 38 k6 | 10 | 41 | M12 |
| IHR121 | 336,5 | 80 | 38 k6 | 10 | 41 | M12 |

3.1.14 H..2/3



| H.../F/U | D | B | b | t | f | C | C1 | E | F | G | G1 | H | I | K | M | N | O | O2 | Q | R | S | -V |
|-----------|-------|-----|----|------|-----|----|----|-----|-----|-------|-------|-----|------|------|-----|-----|----|--------------|-------|-----|----|-----|
| H032/H033 | 25 j6 | 50 | 8 | 28 | M10 | 25 | 34 | 130 | 169 | 141 | 150 | 90 | 9,2 | 15 | 110 | 140 | 11 | M8x17 (n.5) | 60 | 160 | 15 | 92 |
| H042/H043 | 30 j6 | 60 | 8 | 33 | M10 | 30 | 30 | 165 | 189 | 152 | 152 | 115 | 18 | 15 | 135 | 170 | 14 | M8x17 (n.5) | 85 | 195 | 15 | 115 |
| H052/H053 | 35 k6 | 70 | 10 | 38 | M12 | 30 | 30 | 165 | 192 | 187 | 187 | 115 | 25,5 | 18 | 135 | 185 | 14 | M8x17 (n.5) | 80 | 201 | 18 | 116 |
| H062/H063 | 40 k6 | 80 | 12 | 43 | M16 | 35 | 35 | 205 | 234 | 236 | 236 | 140 | 31 | 25 | 170 | 220 | 16 | M10x20 (n.6) | 100 | 255 | 20 | 140 |
| | 35 k6 | 70 | 10 | 38 | M12 | | | | | | | | | | | | | | | | | |
| H082/H083 | 50 k6 | 100 | 14 | 53,5 | M16 | 40 | 40 | 260 | 292 | 272,5 | 272,5 | 180 | 31 | 27,5 | 215 | 280 | 18 | M12x25 (n.7) | 140 | 315 | 25 | 180 |
| | 40 k6 | 80 | 12 | 43 | M16 | | | | | | | | | | | | | | | | | |
| H102/H103 | 60 m6 | 120 | 18 | 64 | M20 | 40 | 40 | 310 | 364 | 316 | 316 | 225 | 35,5 | 27,5 | 250 | 330 | 22 | M14x28 (n.7) | 159 | 365 | 30 | 227 |
| H122/H123 | 70 m6 | 140 | 20 | 74,5 | M20 | 45 | 45 | 370 | 408 | 376,5 | 376,5 | 250 | 47,5 | 35 | 290 | 406 | 26 | M14x30 (n.7) | 185,5 | 440 | 35 | 253 |
| H142/H143 | 90 m6 | 170 | 25 | 95 | M20 | 50 | 50 | 410 | 498 | 430 | 430 | 315 | 45 | 40 | 340 | 450 | 26 | M16x32 (n.7) | 230 | 490 | 35 | 320 |

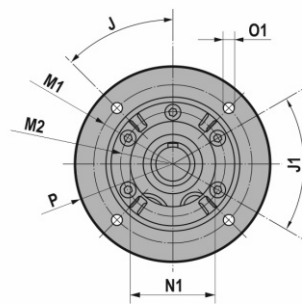
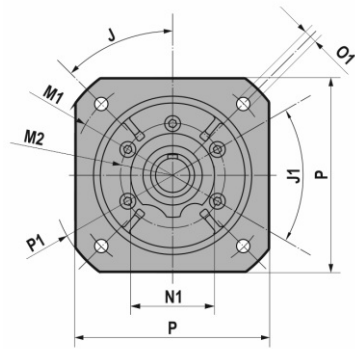
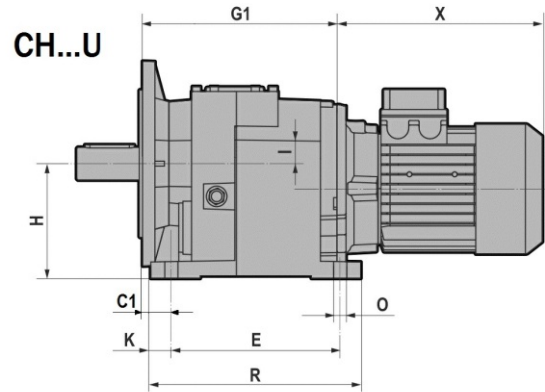
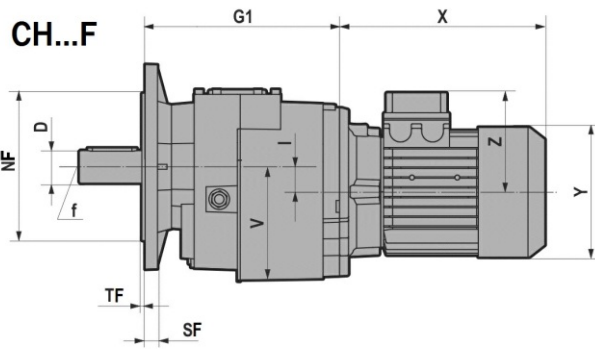
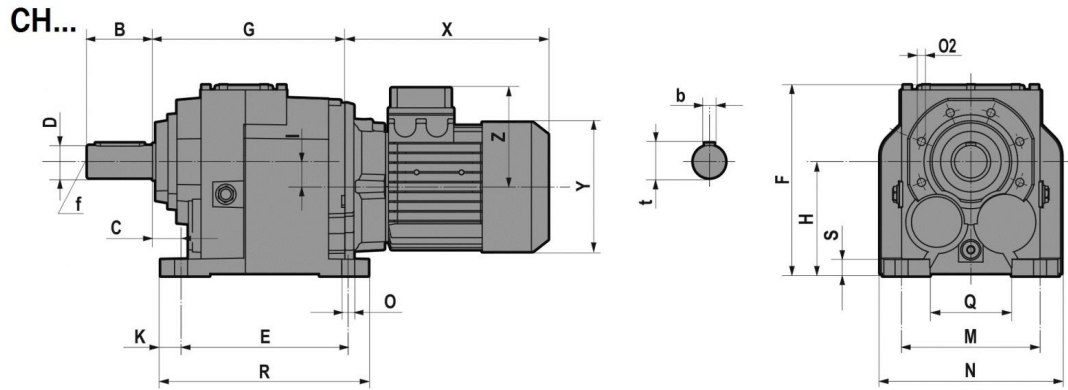
3.1 REDUCERS/GEARED MOTORS

|F/U | | J | J1 | M1 | M2 | NF f8 | N1 | O1 | P | P1 | SF | TF |
|------------------------|----|--------|-----|------|------|-------|-----|----------|------|------|----|-----|
| H032/H033 H042/H043 | FA | 45° | 45° | Ø165 | Ø85 | 130 | 70 | 11 (n.4) | 160 | Ø200 | 9 | 3,5 |
| | FB | | | Ø130 | Ø85 | 110 | | 9 (n.4) | Ø160 | / | 9 | 3,5 |
| | FC | | | Ø115 | Ø85 | 95 | | 9 (n.4) | Ø140 | / | 9 | 3 |
| | FD | | | Ø100 | Ø85 | 80 | | M8 (n.4) | Ø120 | / | 9 | 3 |
| H052/H053 | FA | 45° | 45° | Ø215 | Ø105 | 180 | 90 | 14 (n.4) | 200 | Ø250 | 12 | 4 |
| | FB | | | Ø165 | Ø105 | 130 | | 11 (n.4) | Ø200 | / | 12 | 3,5 |
| H062/H063 | FA | 45° | 45° | Ø265 | Ø130 | 230 | 110 | 14 (n.4) | 250 | Ø300 | 15 | 4 |
| | FB | | | Ø215 | Ø130 | 180 | | 14 (n.4) | Ø250 | / | 15 | 4 |
| | FC | | | Ø165 | Ø130 | 130 | | 11 (n.4) | Ø200 | / | 15 | 3,5 |
| H082/H083 | FA | 45° | 45° | Ø300 | Ø165 | 250 | 130 | 18 (n.4) | 300 | Ø350 | 16 | 5 |
| | FB | | | Ø265 | Ø165 | 230 | | 14 (n.4) | Ø300 | / | 16 | 4 |
| | FC | | | Ø215 | Ø165 | 180 | | 14 (n.4) | Ø250 | / | 16 | 4 |
| H102/H103 | FA | 45° | 45° | Ø350 | Ø185 | 300 | 150 | 18 (n.4) | 350 | Ø400 | 18 | 5 |
| | FB | | | Ø300 | Ø185 | 250 | | 18 (n.4) | Ø350 | / | 18 | 5 |
| | FC | | | Ø265 | Ø185 | 230 | | 14 (n.4) | Ø300 | / | 18 | 4 |
| H122/H123 | FB | 45° | 45° | Ø350 | Ø200 | 300 | 170 | 18 (n.4) | Ø400 | / | 18 | 5 |
| H142/H143 | FB | 22°30' | 45° | Ø400 | Ø245 | 350 | 210 | 18 (n.8) | Ø450 | / | 25 | 5 |
| | FC | 45° | | Ø350 | Ø245 | 300 | | 18 (n.4) | Ø400 | / | 25 | 5 |

| IEC | Pm x Dm | G2 H.../F/U | | | | | |
|---------|---------|-------------------------------------|-----------|-----------|-----------|-----------|-----------|
| | | H032/H033 H042/H043 H052/H053 | H062/H063 | H082/H083 | H102/H103 | H122/H123 | H142/H143 |
| 063 | 140x11 | 57,0 | / | / | / | / | / |
| 071 | 160x14 | 69,0 | 49,0 | / | / | / | / |
| 080 | 200x19 | 90,0 | 70,0 | 70,0 | / | / | / |
| 090 | 200x24 | 90,0 | 70,0 | 70,0 | 60,5 | / | / |
| 100-112 | 250x28 | 105,0 | 85,0 | 85,0 | 75,5 | 75,5 | / |
| 132 | 300x38 | / | 110,0 | 110,0 | 100,5 | 100,5 | 76,0 |
| 160 | 350x42 | / | / | 157,5 | 148,0 | 148,0 | 123,5 |
| 180 | 350x48 | / | / | / | 148,0 | 148,0 | 123,5 |
| 200 | 400x55 | / | / | / | 185,0 | 185,0 | 160,5 |
| 225 | 450x60 | / | / | / | / | / | 160,5 |

| B5 | Pm | Dm | bm | tm |
|-----|-----|----|----|------|
| 063 | 140 | 11 | 4 | 12,8 |
| 071 | 160 | 14 | 5 | 16,3 |
| 080 | 200 | 19 | 6 | 21,8 |
| 090 | 200 | 24 | 8 | 27,3 |
| 100 | 250 | 28 | 8 | 31,3 |
| 112 | 250 | 28 | 8 | 31,3 |
| 132 | 300 | 38 | 10 | 41,3 |
| 160 | 350 | 42 | 12 | 45,3 |
| 180 | 350 | 48 | 14 | 51,8 |
| 200 | 400 | 55 | 16 | 59,3 |
| 225 | 450 | 60 | 18 | 64,4 |

3.1.15 CH..2/3



- FC
- FD

3.1 REDUCERS/GEARED MOTORS

| CH.../F/U | D | B | b | t | f | C | C1 | E | F | G | G1 | H | I | K | M | N | O | O2 | Q | R | S | -V |
|-------------|-------|-----|----|------|-----|----|----|-----|-----|-------|-------|-----|------|------|-----|-----|----|--------------|-------|-----|----|-----|
| CH032/CH033 | 25 j6 | 50 | 8 | 28 | M10 | 25 | 34 | 130 | 169 | 141 | 150 | 90 | 9,2 | 15 | 110 | 140 | 11 | M8x17 (n.5) | 60 | 160 | 15 | 92 |
| CH042/CH043 | 30 j6 | 60 | 8 | 33 | M10 | 30 | 30 | 165 | 189 | 152 | 152 | 115 | 18 | 15 | 135 | 170 | 14 | M8x17 (n.5) | 85 | 195 | 15 | 115 |
| CH052/CH053 | 35 k6 | 70 | 10 | 38 | M12 | 30 | 30 | 165 | 192 | 187 | 187 | 115 | 25,5 | 18 | 135 | 185 | 14 | M8x17 (n.5) | 80 | 201 | 18 | 116 |
| CH062/CH063 | 40 k6 | 80 | 12 | 43 | M16 | 35 | 35 | 205 | 234 | 236 | 236 | 140 | 31 | 25 | 170 | 220 | 16 | M10x20 (n.6) | 100 | 255 | 20 | 140 |
| | 35 k6 | 70 | 10 | 38 | M12 | | | | | | | | | | | | | | | | | |
| CH082/CH083 | 50 k6 | 100 | 14 | 53,5 | M16 | 40 | 40 | 260 | 292 | 272,5 | 272,5 | 180 | 31 | 27,5 | 215 | 280 | 18 | M12x25 (n.7) | 140 | 315 | 25 | 180 |
| | 40 k6 | 80 | 12 | 43 | M16 | | | | | | | | | | | | | | | | | |
| CH102/CH103 | 60 m6 | 120 | 18 | 64 | M20 | 40 | 40 | 310 | 364 | 316 | 316 | 225 | 35,5 | 27,5 | 250 | 330 | 22 | M14x28 (n.7) | 159 | 365 | 30 | 227 |
| CH122/CH123 | 70 m6 | 140 | 20 | 74,5 | M20 | 45 | 45 | 370 | 408 | 376,5 | 376,5 | 250 | 47,5 | 35 | 290 | 406 | 26 | M14x30 (n.7) | 185,5 | 440 | 35 | 253 |
| CH142/CH143 | 90 m6 | 170 | 25 | 95 | M20 | 50 | 50 | 410 | 498 | 430 | 430 | 315 | 45 | 40 | 340 | 450 | 26 | M16x32 (n.7) | 230 | 490 | 35 | 320 |

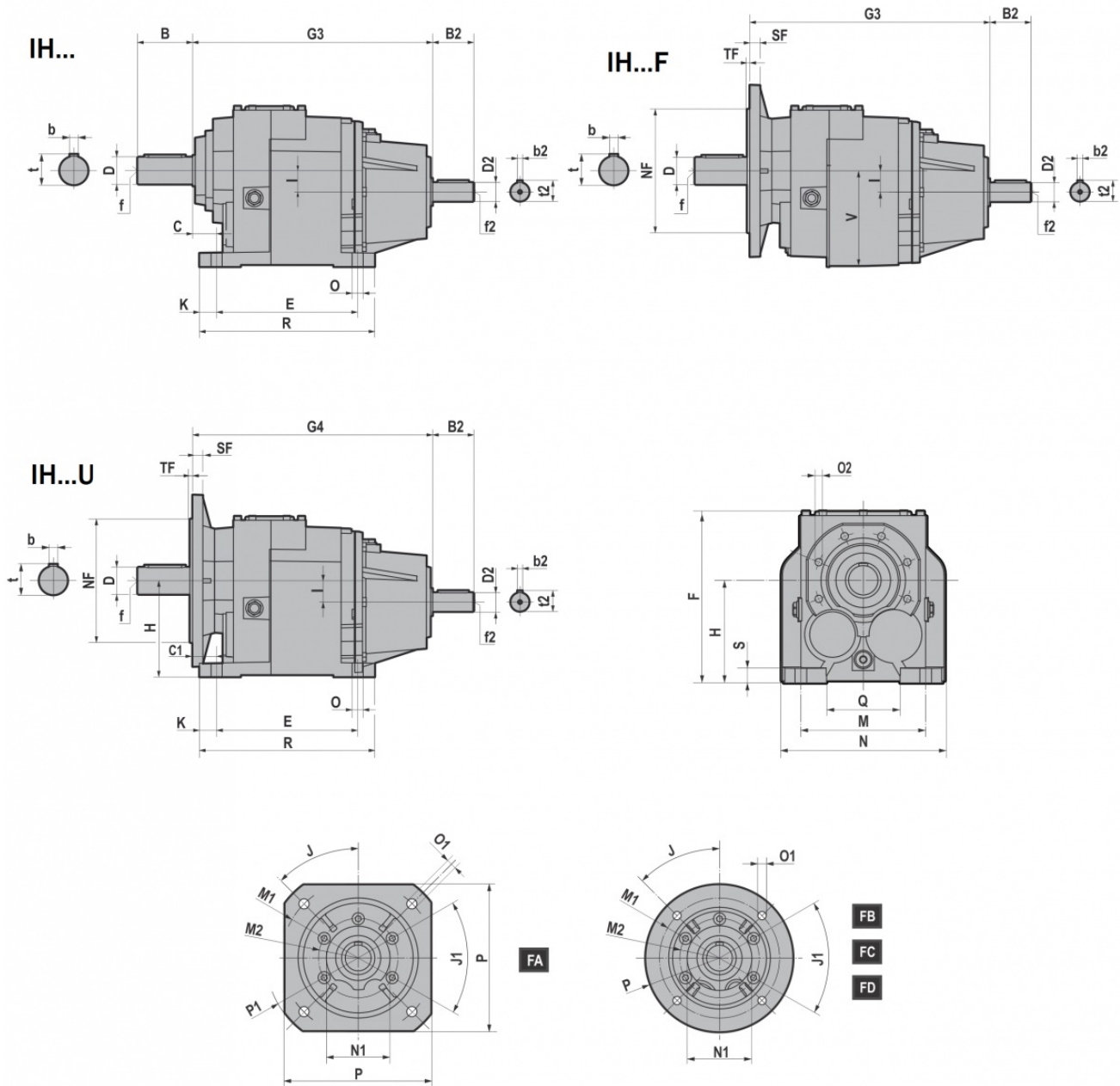
|F/U | | J | J1 | M1 | M2 | NF f8 | N1 | O1 | P | P1 | SF | TF |
|----------------------------|----|--------|-----|------|------|-------|-----|----------|------|------|----|-----|
| CH032/CH033 CH042/CH043 | FA | 45° | 45° | Ø165 | Ø85 | 130 | 70 | 11 (n.4) | 160 | Ø200 | 9 | 3,5 |
| | FB | | | Ø130 | Ø85 | 110 | | 9 (n.4) | Ø160 | / | 9 | 3,5 |
| | FC | | | Ø115 | Ø85 | 95 | | 9 (n.4) | Ø140 | / | 9 | 3 |
| | FD | | | Ø100 | Ø85 | 80 | | M8 (n.4) | Ø120 | / | 9 | 3 |
| CH052/CH053 | FA | 45° | 45° | Ø215 | Ø105 | 180 | 90 | 14 (n.4) | 200 | Ø250 | 12 | 4 |
| | FB | | | Ø165 | Ø105 | 130 | | 11 (n.4) | Ø200 | / | 12 | 3,5 |
| CH062/CH063 | FA | 45° | 45° | Ø265 | Ø130 | 230 | 110 | 14 (n.4) | 250 | Ø300 | 15 | 4 |
| | FB | | | Ø215 | Ø130 | 180 | | 14 (n.4) | Ø250 | / | 15 | 4 |
| | FC | | | Ø165 | Ø130 | 130 | | 11 (n.4) | Ø200 | / | 15 | 3,5 |
| CH082/CH083 | FA | 45° | 45° | Ø300 | Ø165 | 250 | 130 | 18 (n.4) | 300 | Ø350 | 16 | 5 |
| | FB | | | Ø265 | Ø165 | 230 | | 14 (n.4) | Ø300 | / | 16 | 4 |
| | FC | | | Ø215 | Ø165 | 180 | | 14 (n.4) | Ø250 | / | 16 | 4 |
| CH102/CH103 | FA | 45° | 45° | Ø350 | Ø185 | 300 | 150 | 18 (n.4) | 350 | Ø400 | 18 | 5 |
| | FB | | | Ø300 | Ø185 | 250 | | 18 (n.4) | Ø350 | / | 18 | 5 |
| | FC | | | Ø265 | Ø185 | 230 | | 14 (n.4) | Ø300 | / | 18 | 4 |
| CH122/CH123 | FB | 45° | 45° | Ø350 | Ø200 | 300 | 170 | 18 (n.4) | Ø400 | / | 18 | 5 |
| CH142/CH143 | FB | 22°30' | 45° | Ø400 | Ø245 | 350 | 210 | 18 (n.8) | Ø450 | / | 25 | 5 |
| | FC | 45° | | Ø350 | Ø245 | 300 | | 18 (n.4) | Ø400 | / | 25 | 5 |

| T (IE1 - IE2 - IE3) | | | | | | | | | | |
|---|---|-----|-----|---------------|---------------|---------------|-----|---------------|------|--------|
| CH.../F/U | | 063 | 071 | 080 | 090S | 090L | 100 | 112 | 132S | 132M/L |
| CH032/CH033 CH042/CH043 CH052/CH053 | X | 215 | 241 | 268 *(291) | 296 *(329) | 321 *(354) | 333 | 351 *(375) | / | / |
| | Y | 121 | 139 | 158 | 173 | 173 | 191 | 211 | / | / |
| | Z | 104 | 112 | 122 | 130 | 130 | 139 | 154 | / | / |
| CH062/CH063 CH082/CH083 | X | / | 221 | 248 *(271) | 276 *(309) | 301 *(334) | 335 | 356 *(380) | 405 | 443 |
| | Y | / | 139 | 158 | 173 | 173 | 191 | 211 | 249 | 249 |
| | Z | / | 112 | 122 | 130 | 130 | 139 | 154 | 194 | 194 |
| CH102/CH103 CH122/CH123 | X | / | / | / | 267 *(300) | 292 *(325) | 326 | 347 *(371) | 396 | 434 |
| | Y | / | / | / | 173 | 173 | 191 | 211 | 249 | 249 |
| | Z | / | / | / | 130 | 130 | 139 | 154 | 194 | 194 |

| TB (IE1 - IE2 - IE3) | | | | | | | | | | |
|---|---|-----|-------|---------------|---------------|---------------|-----|---------------|------|--------|
| CH.../F/U | | 063 | 071 | 080 | 090S | 090L | 100 | 112 | 132S | 132M/L |
| CH032/CH033 CH042/CH043 CH052/CH053 | X | 273 | 306.5 | 341 *(364) | 373 *(406) | 398 *(431) | 415 | 448 *(472) | / | / |
| | Y | 121 | 139 | 158 | 173 | 173 | 191 | 211 | / | / |
| | Z | 119 | 129 | 137 | 157 | 157 | 168 | 183 | / | / |
| CH062/CH063 CH082/CH083 | X | / | 286.5 | 321 *(344) | 353 *(386) | 378 *(411) | 417 | 453 *(477) | 505 | 547 |
| | Y | / | 139 | 158 | 173 | 173 | 191 | 211 | 249 | 249 |
| | Z | / | 129 | 137 | 157 | 157 | 168 | 183 | 230 | 230 |
| CH102/CH103 CH122/CH123 | X | / | / | / | 343 *(376) | 368 *(401) | 407 | 443 *(467) | 495 | 537 |
| | Y | / | / | / | 173 | 173 | 191 | 211 | 249 | 249 |
| | Z | / | / | / | 157 | 157 | 168 | 183 | 230 | 230 |

*TP80B4, TP90S4, TP90L4, TP90S6, TP112M4, TP112M6

3.1.16 IH..2/3



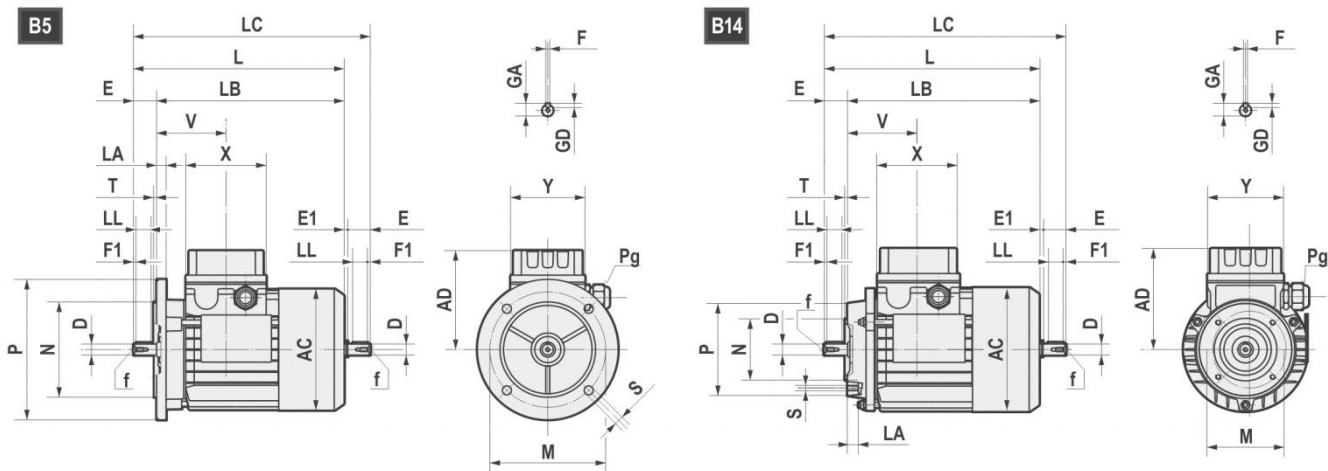
| IH.../F/U | D | B | b | t | f | C | C1 | E | F | G | G1 | H | I | K | M | N | O | O2 | Q | R | S | -V |
|-------------|-------|-----|----|------|-----|----|----|-----|-----|-------|-------|-----|------|------|-----|-----|----|--------------|-------|-----|----|-----|
| IH032/IH033 | 25 j6 | 50 | 8 | 28 | M10 | 25 | 34 | 130 | 169 | 141 | 150 | 90 | 9,2 | 15 | 110 | 140 | 11 | M8x17 (n.5) | 60 | 160 | 15 | 92 |
| IH042/IH043 | 30 j6 | 60 | 8 | 33 | M10 | 30 | 30 | 165 | 189 | 152 | 152 | 115 | 18 | 15 | 135 | 170 | 14 | M8x17 (n.5) | 85 | 195 | 15 | 115 |
| IH052/IH053 | 35 k6 | 70 | 10 | 38 | M12 | 30 | 30 | 165 | 192 | 187 | 187 | 115 | 25,5 | 18 | 135 | 185 | 14 | M8x17 (n.5) | 80 | 201 | 18 | 116 |
| IH062/IH063 | 40 k6 | 80 | 12 | 43 | M16 | 35 | 35 | 205 | 234 | 236 | 236 | 140 | 31 | 25 | 170 | 220 | 16 | M10x20 (n.6) | 100 | 255 | 20 | 140 |
| | 35 k6 | 70 | 10 | 38 | M12 | | | | | | | | | | | | | | | | | |
| IH082/IH083 | 50 k6 | 100 | 14 | 53,5 | M16 | 40 | 40 | 260 | 292 | 272,5 | 272,5 | 180 | 31 | 27,5 | 215 | 280 | 18 | M12x25 (n.7) | 140 | 315 | 25 | 180 |
| | 40 k6 | 80 | 12 | 43 | M16 | | | | | | | | | | | | | | | | | |
| IH102/IH103 | 60 m6 | 120 | 18 | 64 | M20 | 40 | 40 | 310 | 364 | 316 | 316 | 225 | 35,5 | 27,5 | 250 | 330 | 22 | M14x28 (n.7) | 159 | 365 | 30 | 227 |
| IH122/IH123 | 70 m6 | 140 | 20 | 74,5 | M20 | 45 | 45 | 370 | 408 | 376,5 | 376,5 | 250 | 47,5 | 35 | 290 | 406 | 26 | M14x30 (n.7) | 185,5 | 440 | 35 | 253 |
| IH142/IH143 | 90 m6 | 170 | 25 | 95 | M20 | 50 | 50 | 410 | 498 | 430 | 430 | 315 | 45 | 40 | 340 | 450 | 26 | M16x32 (n.7) | 230 | 490 | 35 | 320 |

3.1 REDUCERS/GEARED MOTORS

| ...F/U | | J | J1 | M1 | M2 | NF f8 | N1 | O1 | P | P1 | SF | TF |
|----------------------------|----|--------|-----|------|------|-------|-----|----------|------|------|----|-----|
| IH032/IH033 IH042/IH043 | FA | 45° | 45° | Ø165 | Ø85 | 130 | 70 | 11 (n.4) | 160 | Ø200 | 9 | 3,5 |
| | FB | | | Ø130 | Ø85 | 110 | | 9 (n.4) | Ø160 | / | 9 | 3,5 |
| | FC | | | Ø115 | Ø85 | 95 | | 9 (n.4) | Ø140 | / | 9 | 3 |
| | FD | | | Ø100 | Ø85 | 80 | | M8 (n.4) | Ø120 | / | 9 | 3 |
| IH052/IH053 | FA | 45° | 45° | Ø215 | Ø105 | 180 | 90 | 14 (n.4) | 200 | Ø250 | 12 | 4 |
| | FB | | | Ø165 | Ø105 | 130 | | 11 (n.4) | Ø200 | / | 12 | 3,5 |
| IH062/IH063 | FA | 45° | 45° | Ø265 | Ø130 | 230 | 110 | 14 (n.4) | 250 | Ø300 | 15 | 4 |
| | FB | | | Ø215 | Ø130 | 180 | | 14 (n.4) | Ø250 | / | 15 | 4 |
| | FC | | | Ø165 | Ø130 | 130 | | 11 (n.4) | Ø200 | / | 15 | 3,5 |
| IH082/IH083 | FA | 45° | 45° | Ø300 | Ø165 | 250 | 130 | 18 (n.4) | 300 | Ø350 | 16 | 5 |
| | FB | | | Ø265 | Ø165 | 230 | | 14 (n.4) | Ø300 | / | 16 | 4 |
| | FC | | | Ø215 | Ø165 | 180 | | 14 (n.4) | Ø250 | / | 16 | 4 |
| IH102/IH103 | FA | 45° | 45° | Ø350 | Ø185 | 300 | 150 | 18 (n.4) | 350 | Ø400 | 18 | 5 |
| | FB | | | Ø300 | Ø185 | 250 | | 18 (n.4) | Ø350 | / | 18 | 5 |
| | FC | | | Ø265 | Ø185 | 230 | | 14 (n.4) | Ø300 | / | 18 | 4 |
| IH122/IH123 | FB | 45° | 45° | Ø350 | Ø200 | 300 | 170 | 18 (n.4) | Ø400 | / | 18 | 5 |
| IH142/IH143 | FB | 22°30' | 45° | Ø400 | Ø245 | 350 | 210 | 18 (n.8) | Ø450 | / | 25 | 5 |
| | FC | 45° | | Ø350 | Ø245 | 300 | | 18 (n.4) | Ø400 | / | 25 | 5 |

| IH.../F/U | G3 | G4 | B2 | D2 | b2 | t2 | f2 |
|-------------|-------|-------|-----|-------|----|----|-----|
| IH032/IH033 | 231 | 240 | 50 | 24 j6 | 8 | 27 | M8 |
| IH042/IH043 | 242 | 242 | 50 | 24 j6 | 8 | 27 | M8 |
| IH052/IH053 | 277 | 277 | 50 | 24 j6 | 8 | 27 | M8 |
| IH062/IH063 | 349 | 349 | 60 | 28 j6 | 8 | 31 | M10 |
| IH082/IH083 | 385,5 | 385,5 | 60 | 28 j6 | 8 | 31 | M10 |
| IH102/IH103 | 442,5 | 442,5 | 80 | 38 k6 | 10 | 41 | M12 |
| IH122/IH123 | 503 | 503 | 80 | 38 k6 | 10 | 41 | M12 |
| IH142/IH143 | 570 | 570 | 110 | 42 k6 | 12 | 45 | M16 |

3.2.1 Electric motors



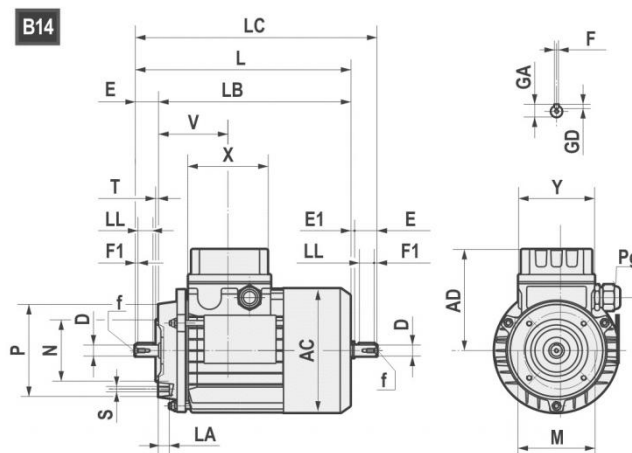
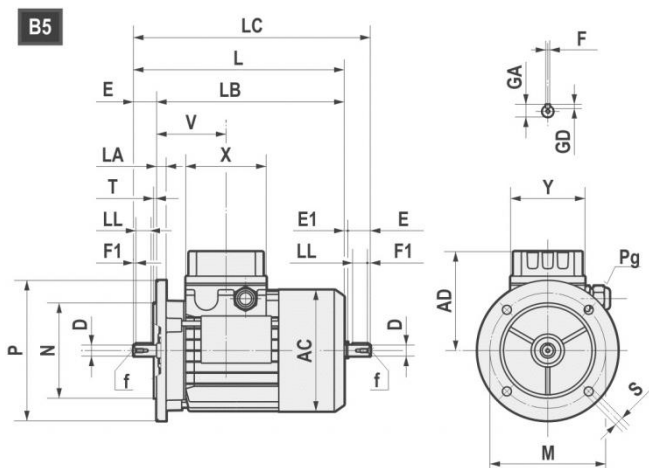
| | AC | AD | L | LB | LC | X | Y | V | D | E | E1 | f | F1 | GA | F | GD |
|-------------|-----|-----|-----------------|-----------------|-----------------|-----|-----|-------|-------|-----|-----|---------|-----|------|----|----|
| 63 | 121 | 104 | 211 | 188 | 235,5 | 80 | 74 | 69 | 11 j6 | 23 | 1,5 | M4x10 | 2,5 | 12,5 | 4 | 4 |
| 71 | 139 | 112 | 238,5 | 208,5 | 271 | 80 | 74 | 74,5 | 14 j6 | 30 | 2,5 | M5x12.5 | 3 | 16 | 5 | 5 |
| 80 | 158 | 122 | 272,5 *(296) | 232,5 *(256) | 314 *(337) | 80 | 74 | 78 | 19 j6 | 40 | 1,5 | M6x16 | 5 | 21,5 | 6 | 6 |
| 90S | 173 | 146 | 298 *(331) | 248 *(281) | 349,5 *(381) | 98 | 98 | 89,5 | 24 j6 | 50 | 1,5 | M8x19 | 5 | 27 | 8 | 7 |
| 90L | 173 | 146 | 323 *(356) | 273 *(306) | 374,5 *(408) | 98 | 98 | 89,5 | 24 j6 | 50 | 1,5 | M8x19 | 5 | 27 | 8 | 7 |
| 100 | 191 | 155 | 368 | 308 | 431,5 | 98 | 98 | 97,5 | 28 j6 | 60 | 3,5 | M10x22 | 7,5 | 31 | 8 | 7 |
| 112 | 211 | 170 | 382,5 *(408) | 322,5 *(348) | 447 *(472) | 98 | 98 | 100 | 28 j6 | 60 | 3,5 | M10x22 | 7,5 | 31 | 8 | 7 |
| 132S | 249 | 195 | 452 | 372 | 536,5 | 118 | 118 | 115,5 | 38 k6 | 80 | 4 | M12x28 | 10 | 41 | 10 | 8 |
| 132L | 249 | 195 | 490 | 410 | 574,5 | 118 | 118 | 115,5 | 38 k6 | 80 | 4 | M12x28 | 10 | 41 | 10 | 8 |
| 160S | 249 | 195 | 520 | 410 | / | 118 | 118 | 115,5 | 42k6 | 100 | / | M16x36 | 10 | 45 | 12 | 8 |

*TP80B4, TP90S4, TP90L4, TP90S6, TP112M4, TP112M6

| B5 | M | N | P | LA | S | T |
|------------|-----|-----|-----|------|------|-----|
| 63 | 115 | 95 | 140 | 10 | 9 | 3 |
| 71 | 130 | 110 | 160 | 10 | 9,5 | 3,5 |
| 80 | 165 | 130 | 200 | 12 | 11 | 3,5 |
| 90 | 165 | 130 | 200 | 12 | 11 | 3,5 |
| 100 | 215 | 180 | 250 | 15 | 14 | 4 |
| 112 | 215 | 180 | 250 | 14,5 | 14 | 4 |
| 132 | 265 | 230 | 300 | 20 | 14 | 3,5 |
| 160 | 300 | 250 | 350 | 13 | 18,5 | 3,5 |

| B14 | M | N | P | LA | S | T |
|------------|-----|-----|-----|------|-----|-----|
| 63 | 75 | 60 | 90 | 10 | M5 | 2,5 |
| 71 | 85 | 70 | 105 | 10,5 | M6 | 2,5 |
| 80 | 100 | 80 | 120 | 10,5 | M6 | 3 |
| 90 | 115 | 95 | 140 | 11,5 | M8 | 3 |
| 100 | 130 | 110 | 160 | 15 | M8 | 3,5 |
| 112 | 130 | 110 | 160 | 11,5 | M8 | 3,5 |
| 132 | 165 | 130 | 200 | 20,5 | M10 | 3,5 |
| 160 | 215 | 180 | 250 | - | M12 | 4 |

3.2 ELECTRIC MOTORS



| | | AC | AD | L | LB | X | D | E | f | GA | F | GD | LL | Pg | |
|-------------|-------|-----|-----|------|-----|-----|----|-----|-----|------|----|----|-----|-----------|-----------|
| 160M | 2-4-6 | 314 | 251 | 600 | 490 | 158 | 42 | 110 | M16 | 45 | 12 | 8 | 90 | 2-M40x1,5 | 1-M16x1,5 |
| 160L | 2-4-6 | 314 | 251 | 645 | 535 | 158 | 42 | 110 | M16 | 45 | 12 | 8 | 90 | 2-M40x1,5 | 1-M16x1,5 |
| 180M | 2-4 | 355 | 267 | 680 | 570 | 158 | 48 | 110 | M16 | 51,5 | 14 | 9 | 100 | 2-M40x1,5 | 1-M16x1,5 |
| 180L | 4-6 | 355 | 267 | 720 | 610 | 158 | 48 | 110 | M16 | 51,5 | 14 | 9 | 100 | 2-M40x1,5 | 1-M16x1,5 |
| 200L | 2-4-6 | 397 | 300 | 785 | 675 | 187 | 55 | 110 | M20 | 59 | 16 | 10 | 100 | 2-M50x1,5 | 1-M16x1,5 |
| 225S | 4 | 446 | 325 | 820 | 680 | 187 | 60 | 140 | M20 | 64 | 18 | 11 | 125 | 2-M50x1,5 | 1-M16x1,5 |
| 225M | 2 | 446 | 325 | 815 | 705 | 187 | 55 | 110 | M20 | 59 | 16 | 10 | 100 | 2-M50x1,5 | 1-M16x1,5 |
| 225M | 4-6 | 446 | 325 | 845 | 705 | 187 | 60 | 140 | M20 | 64 | 18 | 11 | 125 | 2-M50x1,5 | 1-M16x1,5 |
| 250M | 2-4-6 | 485 | 360 | 910 | 770 | 238 | 60 | 140 | M20 | 64 | 18 | 11 | 125 | 2-M63x1,5 | 1-M16x1,5 |
| 250M | 2-4-6 | 485 | 360 | 910 | 770 | 238 | 65 | 140 | M20 | 69 | 18 | 11 | 125 | 2-M63x1,5 | 1-M16x1,5 |
| 280S | 2-4-6 | 547 | 390 | 970 | 830 | 238 | 65 | 140 | M20 | 69 | 18 | 11 | 125 | 2-M63x1,5 | 1-M16x1,5 |
| 280S | 2-4-6 | 547 | 390 | 970 | 830 | 238 | 75 | 140 | M20 | 79,5 | 20 | 12 | 125 | 2-M63x1,5 | 1-M16x1,5 |
| 280M | 2-4-6 | 547 | 390 | 1025 | 885 | 238 | 65 | 140 | M20 | 69 | 18 | 11 | 125 | 2-M63x1,5 | 1-M16x1,5 |
| 280M | 2-4-6 | 547 | 390 | 1025 | 885 | 238 | 75 | 140 | M20 | 79,5 | 20 | 12 | 125 | 2-M63x1,5 | 1-M16x1,5 |

| B5 | M | N | P | LA | S | T |
|------------|-----|-----|-----|----|----|---|
| 160 | 300 | 250 | 350 | 13 | 19 | 5 |
| 180 | 300 | 250 | 350 | 15 | 19 | 5 |
| 200 | 350 | 300 | 400 | 17 | 19 | 5 |
| 225 | 400 | 350 | 450 | 20 | 19 | 5 |
| 250 | 500 | 450 | 550 | 22 | 19 | 5 |
| 280 | 500 | 450 | 550 | 22 | 19 | 5 |

3.2.2 Standard high efficiency (TS), high (TH) and premium (TP) motors

Motovario, three-phase, single polarity motors are available in three different versions (IE1-IE2-IE3) in compliance with standard 60034-30-1 (see table). The efficiency value is calculated according to the method set forth in standard IEC 60034-2-1.

1. IE1: Standard efficiency TS series.
2. IE2: High efficiency TH series
3. IE3: Premium efficiency TP series.

Table of Motovario commercial availability

| NOMINAL POWER [kW] | POLES | EFFICIENCY LEVEL | | |
|--------------------------|-----------|------------------|--------|--------|
| | | IE1 | IE2 | IE3 |
| $0,09 \leq P_n < 0,75$ | 2 - 4 - 6 | TS-TBS | - | - |
| $0,75 \leq P_n \leq 11$ | 2 - 4 | TBS | - | - |
| $0,75 \leq P_n \leq 5,5$ | 6 | TBS | TH-TBH | TP-TBP |
| $0,75 \leq P_n \leq 9,2$ | 2 - 4 | - | TH-TBH | - |
| $0,75 \leq P_n \leq 7,5$ | 2 - 4 | - | - | TP-TBP |
| $7,5 \leq P_n \leq 22$ | 6 | TBS (*) | - | TP |
| $11 \leq P_n \leq 90$ | 4 | - | - | TP |
| $15 \leq P_n \leq 37$ | 2 | TBS (*) | - | TP |
| $15 \leq P_n \leq 55$ | 4 | TBS (*) | - | - |

(*) Series available on request.

3.2.3 Nominal power - [kW]

| | 63A | 63B | 63C | 71A | 71B | 71C | 80A | | | 80B | | |
|-------|------|------|------|------|------|------|------|------|------|------|------|------|
| Poles | TS | TS | TS | TS | TS | TS | TS | TH | TP | TS | TH | TP |
| 2 | 0,18 | 0,25 | 0,37 | 0,37 | 0,55 | - | - | 0,75 | 0,75 | - | 1,1 | 1,1 |
| 4 | 0,12 | 0,18 | 0,22 | 0,25 | 0,37 | 0,55 | 0,55 | - | - | - | 0,75 | 0,75 |
| 6 | 0,09 | 0,12 | 0,15 | 0,18 | 0,25 | 0,37 | 0,37 | - | - | 0,55 | - | - |

| | 90S | | 90L | | 100LR | 100L | 100LA | | 112MR | 112MS | 112MA | 112M |
|-------|-----|------|------|-----|-------|------|-------|-----|-------|-------|-------|------|
| Poles | TH | TP | TH | TP | TP | TP | TH | TP | TP | TP | TH | TP |
| 2 | 1,5 | 1,5 | 2,2 | 2,2 | - | 3 | 3 | - | - | - | 4 | 4 |
| 4 | 1,1 | 1,1 | 1,5 | 1,5 | - | - | 2,2 | 2,2 | 2,2 | 3 | 4 | 4 |
| 6 | - | 0,75 | 0,75 | - | 1,1 | 1,5 | 1,1 | - | - | - | 2,2 | 2,2 |

| | 112MR | 112MS | 132S | 132SA | 132MS | 132SB | 132M | 132MA | | 132MB | |
|-------|-------|-------|------|-------|-------|-------|------|-------|----|-------|-----|
| Poles | TP | TP | TP | TH | TP | TH | TP | TH | TP | TH | TP |
| 2 | - | - | 5,5 | 5,5 | - | 7,5 | 7,5 | 9,2 | - | - | - |
| 4 | 2,2 | 3 | - | 5,5 | 5,5 | - | 7,5 | 7,5 | - | 9,2 | - |
| 6 | - | - | 3 | 3 | - | - | - | 4 | 4 | 5,5 | 5,5 |

| | 160M | 160MA | 160MB | 160L | 160LA | 180M | 180L |
|-------|------|-------|-------|------|-------|------|------|
| Poles | TP | TP | TP | TP | TP | TP | TP |
| 2 | - | 11 | 15 | 18,5 | - | 22 | - |
| 4 | - | 11 | - | - | 15 | 18,5 | 22 |
| 6 | 7,5 | - | - | 11 | - | - | 15 |

| | 200L | 200LA | 200LB | 225S | 225M | 250M | 280S | 280M |
|-------|------|-------|-------|------|------|------|------|------|
| Poles | TP | TP | TP | TP | TP | TP | TP | TP |
| 2 | - | 30 | 37 | - | - | - | - | - |
| 4 | 30 | - | - | 37 | 45 | 55 | 75 | 90 |
| 6 | - | 18,5 | 22 | - | - | - | - | - |

3.3 WEIGHTS

The values reported in the tables are referred to the weight of the gearbox with lubricant included.

*Weight without motor

| * H-PH | 063 | 071 | 080-090 | 100-112 | 132 | 160-180 | 200 | 225 | |
|---------|------|------|---------|---------|-------|---------|-------|-------|------|
| A31 | 1,9 | 2,0 | 2,2 | / | / | / | / | / | - kg |
| A32 | 4,2 | 4,3 | 4,6 | / | / | / | / | / | |
| A33 | 4,0 | 4,1 | 5,2 | / | / | / | / | / | |
| A41 | 3,1 | 3,2 | 3,5 | / | / | / | / | / | |
| A42 | 5,2 | 5,3 | 5,5 | / | / | / | / | / | |
| A43 | 5,8 | 5,9 | 6,1 | / | / | / | / | / | |
| A51 | 4,2 | 4,3 | 4,5 | / | / | / | / | / | |
| A52 | / | / | 9,5 | 13,0 | / | / | / | / | |
| A53 | 9,9 | 10,0 | 10,2 | / | / | / | / | / | |
| A61 | / | / | 6,6 | 7,0 | / | / | / | / | |
| A62 | / | / | 11,3 | 14,8 | / | / | / | / | |
| A63 | 12,5 | 12,6 | 13,2 | / | / | / | / | / | |
| 032-033 | 8,4 | 8,8 | 9,4 | 13,7 | / | / | / | / | |
| 042-043 | 10,9 | 11,3 | 11,9 | 16,2 | / | / | / | / | |
| R041 | / | 4,8 | 5,4 | / | / | / | / | / | |
| 052-053 | 16,0 | 16,4 | 17,0 | 21,3 | / | / | / | / | |
| R051 | / | 6,7 | 7,3 | 11,6 | / | / | / | / | |
| 062-063 | / | 27,0 | 29,1 | 31,2 | 33,9 | / | / | / | |
| R061 | / | / | 9,3 | 13,6 | / | / | / | / | |
| 082-083 | / | / | 49,1 | 51,2 | 53,2 | 60,5 | / | / | |
| R081 | / | / | 19,3 | 21,3 | 23,9 | / | / | / | |
| 102-103 | / | / | 77,6 | 79,9 | 82,7 | 88,7 | / | / | |
| R101 | / | / | / | 32,7 | 35,5 | 41,5 | / | / | |
| R121 | / | / | / | / | 36,8 | 42,8 | 57,8 | / | |
| 122-123 | / | / | / | 109,5 | 112,3 | 118,3 | 133,3 | / | |
| 142-143 | / | / | / | / | 177,0 | 184,9 | 199,1 | 200,9 | |

| IH | - kg |
|---------|-------|
| A32 | 4,3 |
| A33 | 5,0 |
| A41 | 3,3 |
| A42 | 5,2 |
| A43 | 5,8 |
| A51 | 4,2 |
| A52 | 9,4 |
| A53 | 9,9 |
| A61 | 6,5 |
| A62 | 11,2 |
| A63 | 12,9 |
| 032-033 | 11,5 |
| 042-043 | 14,0 |
| R041 | 7,5 |
| 052-053 | 19,1 |
| R051 | 9,4 |
| 062-063 | 33,1 |
| R061 | 11,4 |
| 082-083 | 53,1 |
| R081 | 23,2 |
| 102-103 | 87,5 |
| R101 | 40,3 |
| R121 | 41,6 |
| 122-123 | 117,1 |
| 142-143 | 192,1 |

3.3 WEIGHTS

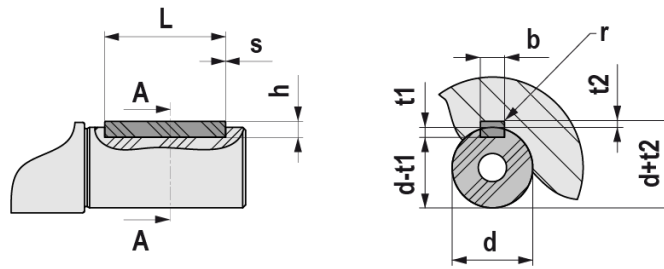
| CH | TS | | | | | | | | | |
|---------|------|------|------|------|------|-------|-------|-------|-------|------|
| | 063 | 071 | 080 | 090S | 090L | 100 | 112 | 132S | 132M | |
| A32 | 6,9 | 8,7 | 12,7 | / | / | / | / | / | / | - kg |
| A33 | 7,6 | 9,5 | 13,5 | / | / | / | / | / | / | |
| A41 | 5,9 | 7,8 | 11,8 | / | / | / | / | / | / | |
| A42 | 7,8 | 9,7 | 13,7 | 15,6 | 18,1 | / | / | / | / | |
| A43 | 8,4 | 10,3 | 14,3 | 16,2 | 18,7 | / | / | / | / | |
| A51 | 6,2 | 8,1 | 12,1 | 14,0 | 16,5 | / | / | / | / | |
| A52 | / | / | 17,2 | 19,1 | 21,6 | 26,2 | 36,5 | / | / | |
| A53 | 12,0 | 13,9 | 17,9 | 19,8 | 22,3 | / | / | / | / | |
| A61 | / | / | 14,3 | 16,2 | 18,7 | 23,3 | 33,6 | / | / | |
| A62 | / | / | 19,2 | 21,1 | 23,6 | 28,2 | 38,5 | / | / | |
| A63 | 14,6 | 16,5 | 20,5 | 22,4 | 24,9 | / | / | / | / | |
| 032-033 | 11,9 | 12,8 | 17,5 | 21,4 | 23,4 | 28,9 | 40,4 | / | / | |
| 042-043 | 14,4 | 15,3 | 20,0 | 23,9 | 25,9 | 31,4 | 42,9 | / | / | |
| R041 | / | 8,8 | 13,5 | 17,4 | 19,4 | / | / | / | / | |
| 052-053 | 19,5 | 20,4 | 25,1 | 29,0 | 31,0 | 36,5 | 48,0 | / | / | |
| R051 | / | 10,7 | 15,4 | 19,3 | 21,3 | 26,8 | 38,3 | / | / | |
| 062-063 | / | 32,7 | 37,8 | 40,2 | 41,7 | 46,8 | 58,2 | 72,2 | 83,8 | |
| R061 | / | / | 17,4 | 21,3 | 23,3 | 28,8 | 40,3 | / | / | |
| 082-083 | / | / | 59,7 | 62,1 | 63,6 | 68,7 | 80,1 | 94,1 | 105,7 | |
| R081 | / | / | 27,1 | 29,5 | 31 | 36,1 | 47,5 | 61,5 | 73,1 | |
| 102-103 | / | / | / | 93,8 | 94,8 | 100,8 | 110,8 | 125,8 | 134,8 | |
| R101 | / | / | / | / | / | 49,6 | 59,6 | 74,6 | 83,6 | |
| R121 | / | / | / | / | / | / | / | 77 | 86 | |
| 122-123 | / | / | / | / | / | 134,5 | 144,5 | 159,5 | 168,5 | |

| CH | TH | | | | | | | |
|---------|------|------|------|-------|-------|-------|-------|------|
| | 080 | 090S | 090L | 100 | 112 | 132S | 132M | |
| A32 | 14,4 | / | / | / | / | / | / | - kg |
| A33 | 15,2 | / | / | / | / | / | / | |
| A41 | 13,5 | / | / | / | / | / | / | |
| A42 | 15,4 | 17,9 | 20 | / | / | / | / | |
| A43 | 16,0 | 18,5 | 20,6 | / | / | / | / | |
| A51 | 13,8 | 16,3 | 18,4 | / | / | / | / | |
| A52 | 18,9 | 21,5 | 23,6 | 28,5 | 39,6 | / | / | |
| A53 | 19,6 | 22,1 | 24,3 | / | / | / | / | |
| A61 | 16,0 | 18,6 | 20,7 | 25,6 | 36,7 | / | / | |
| A62 | 20,9 | 23,4 | 25,6 | 30,5 | 41,6 | / | / | |
| A63 | 22,1 | 24,7 | 26,8 | / | / | / | / | |
| 032-033 | 19,2 | 23,7 | 25,3 | 31,2 | 43,5 | / | / | |
| 042-043 | 21,7 | 26,3 | 27,9 | 33,8 | 46 | / | / | |
| R041 | 15,2 | 19,7 | 21,3 | / | / | / | / | |
| 052-053 | 26,8 | 31,4 | 33 | 38,9 | 51,1 | / | / | |
| R051 | 17,1 | 21,6 | 23,2 | 29,1 | 41,4 | / | / | |
| 062-063 | 39,5 | 42,5 | 43,7 | 49,1 | 61,3 | 77,5 | 90,6 | |
| R061 | 19,1 | 23,6 | 25,2 | 31,1 | 43,4 | / | / | |
| 082-083 | 61,4 | 64,4 | 65,6 | 71 | 83,2 | 99,4 | 112,5 | |
| R081 | 28,8 | 31,8 | 33 | 38,4 | 50,6 | 66,8 | 79,9 | |
| 102-103 | / | 96,1 | 96,8 | 103,1 | 113,9 | 131,1 | 141,6 | |
| R101 | / | / | / | 51,9 | 62,7 | 79,9 | 90,4 | |
| R121 | / | / | / | / | / | 82,3 | 92,8 | |
| 122-123 | / | / | / | 136,8 | 147,6 | 164,8 | 175,3 | |

| CH | TBS | | | | | | | | | |
|---------|------|------|------|------|-------|-------|-------|-------|-------|------|
| | 063 | 071 | 080 | 090S | 090L | 100 | 112 | 132S | 132M | |
| A32 | 8,2 | 10,6 | 15,8 | / | / | / | / | / | / | - kg |
| A33 | 8,9 | 11,4 | 16,6 | / | / | / | / | / | / | |
| A41 | 7,2 | 9,7 | 14,9 | / | / | / | / | / | / | |
| A42 | 9,1 | 11,6 | 16,8 | 20,5 | 23,0 | / | / | / | / | |
| A43 | 9,7 | 12,2 | 17,4 | 21,1 | 23,6 | / | / | / | / | |
| A51 | 7,5 | 10 | 15,2 | 18,9 | 21,4 | / | / | / | / | |
| A52 | / | / | 20,3 | 24,3 | 26,5 | 31,1 | 44,8 | / | / | |
| A53 | 13,3 | 15,8 | 21 | 24,7 | 27,2 | / | / | / | / | |
| A61 | / | / | 17,4 | 21,1 | 23,6 | 28,2 | 41,9 | / | / | |
| A62 | / | / | 22,3 | 26 | 28,5 | 33,1 | 46,8 | / | / | |
| A63 | 15,9 | 18,4 | 23,6 | 27,3 | 29,8 | / | / | / | / | |
| 032-033 | 13,4 | 15 | 21 | 26,9 | 28,9 | 34,4 | 50,1 | / | / | |
| 042-043 | 15,9 | 17,5 | 23,5 | 29,4 | 31,4 | 36,9 | 52,6 | / | / | |
| R041 | / | 11 | 17 | 22,9 | 24,9 | / | / | / | / | |
| 052-053 | 21,0 | 22,6 | 28,6 | 34,5 | 36,5 | 42 | 57,7 | / | / | |
| R051 | / | 12,9 | 18,9 | 24,8 | 26,8 | 32,3 | 48 | / | / | |
| 062-063 | / | 34,9 | 41,3 | 45,7 | 47,2 | 52,3 | 67,9 | 82,5 | 98,5 | |
| R061 | / | / | 20,9 | 26,8 | 28,8 | 34,3 | 50 | / | / | |
| 082-083 | / | / | 63,2 | 67,6 | 69,1 | 74,2 | 89,8 | 104,4 | 120,4 | |
| R081 | / | / | 30,6 | 35 | 36,5 | 41,6 | 57,2 | 71,8 | 87,8 | |
| 102-103 | / | / | / | 99,4 | 100,4 | 106,4 | 120,6 | 136,2 | 149,6 | |
| R101 | / | / | / | / | / | 55 | 69,3 | 85 | 98,3 | |
| R121 | / | / | / | / | / | / | / | 87,3 | 100,7 | |
| 122-123 | / | / | / | / | / | 140 | 154,2 | 169,8 | 183,2 | |

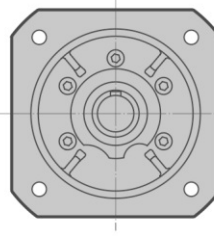
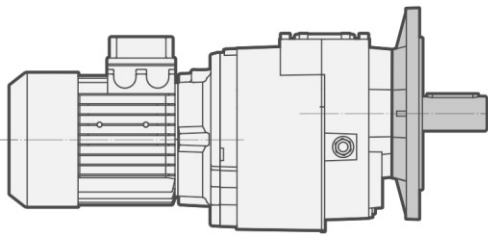
| CH | TBH | | | | | | | |
|---------|------|-------|-------|-------|-------|-------|-------|------|
| | 080 | 090S | 090L | 100 | 112 | 132S | 132M | |
| A32 | 17,5 | / | / | / | / | / | / | - kg |
| A33 | 18,3 | / | / | / | / | / | / | |
| A41 | 16,6 | / | / | / | / | / | / | |
| A42 | 18,5 | 22,8 | 25,0 | / | / | / | / | |
| A43 | 19,1 | 23,4 | 25,6 | / | / | / | / | |
| A51 | 16,9 | 21,2 | 23,4 | / | / | / | / | |
| A52 | 22 | 26,6 | 28,5 | 34,8 | 47,9 | / | / | |
| A53 | 22,7 | 27 | 29,2 | / | / | / | / | |
| A61 | 19,1 | 23,4 | 25,6 | 31,9 | 45 | / | / | |
| A62 | 24 | 28,3 | 30,5 | 36,8 | 49,9 | / | / | |
| A63 | 25,3 | 29,6 | 31,8 | / | / | / | / | |
| 032-033 | 22,7 | 29,2 | 30,9 | 38,1 | 53,2 | / | / | |
| 042-043 | 25,2 | 31,7 | 33,4 | 40,6 | 55,7 | / | / | |
| R041 | 18,6 | 25,2 | 26,9 | / | / | / | / | |
| 052-053 | 30,3 | 36,9 | 38,6 | 45,8 | 60,9 | / | / | |
| R051 | 20,6 | 27,1 | 28,8 | 36 | 51,1 | / | / | |
| 062-063 | 43 | 48 | 49,2 | 56 | 71 | 87,8 | 105 | |
| R061 | 22,6 | 29,1 | 30,8 | 38 | 53,1 | / | / | |
| 082-083 | 64,9 | 69,9 | 71,1 | 77,9 | 92,9 | 109,7 | 126,9 | |
| R081 | 32,3 | 37,3 | 38,5 | 45,3 | 60,3 | 77,1 | 94,3 | |
| 102-103 | / | 101,7 | 102,4 | 110,1 | 123,7 | 141,5 | 156,1 | |
| R101 | / | / | / | 58,7 | 72,4 | 90,3 | 104,8 | |
| R121 | / | / | / | / | / | 92,6 | 107,2 | |
| 122-123 | / | / | / | 143,7 | 157,3 | 175,1 | 189,7 | |

3.4 SHAFT END

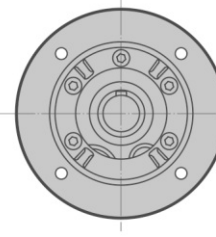


| UNI 6604 - DIN 6885 | | | | | | | | | | | | | | |
|---------------------|-----|-------|----|---|----------|---------|-----|------------------------------|--------------|-----|------|-------------|----------|--------------|
| d | | b x h | | | Tol. b/h | L | | $\frac{s}{\text{min / max}}$ | b | t1 | t2 | Tol. t1/t2 | r max | |
| | 6 | 8 | 2 | x | 2 | h9 / h9 | 6 | 20 | 0,16 0,25 | 2 | 1,2 | 1 | 0,1 0 | 0,08 0,16 |
| > | 8 | 10 | 3 | x | 3 | | 6 | 36 | | 3 | 1,8 | 1,4 | | |
| > | 10 | 12 | 4 | x | 4 | | 8 | 45 | | 4 | 2,5 | 1,8 | | |
| > | 12 | 17 | 5 | x | 5 | | 10 | 56 | 0,25 0,4 | 5 | 3 | 2,3 | | 0,16 0,25 |
| > | 17 | 22 | 6 | x | 6 | | 14 | 70 | | 6 | 3 | 2,8 | | |
| > | 22 | 30 | 8 | x | 7 | | 18 | 90 | | 8 | 4 | 3,3 | | |
| > | 30 | 38 | 10 | x | 8 | 22 | 110 | 0,4 0,6 | 10 | 5 | 3,3 | 0,25 0,4 | | |
| > | 38 | 44 | 12 | x | 8 | 28 | 140 | | 12 | 5 | 3,3 | | | |
| > | 44 | 50 | 14 | x | 9 | 36 | 160 | | 14 | 5,5 | 3,8 | | | |
| > | 50 | 58 | 16 | x | 10 | 45 | 180 | | 16 | 6 | 4,3 | | | |
| > | 58 | 65 | 18 | x | 11 | 50 | 200 | | 18 | 7 | 4,4 | | | |
| > | 65 | 75 | 20 | x | 12 | 56 | 110 | | 0,6 0,8 | 20 | 7,5 | | 4,9 | 0,2 0 |
| > | 75 | 85 | 22 | x | 14 | 63 | 140 | 22 | | 9 | 5,4 | | | |
| > | 85 | 95 | 25 | x | 14 | 70 | 160 | 25 | | 9 | 5,4 | 0,4 0,6 | | |
| > | 95 | 110 | 28 | x | 16 | 80 | 180 | 28 | | 10 | 6,4 | | | |
| > | 110 | 130 | 32 | x | 18 | 90 | 200 | 32 | | 11 | 7,4 | | | |
| > | 130 | 150 | 36 | x | 20 | 100 | 160 | 1 1,2 | | 36 | 12 | 8,4 | 0,3 0 | |
| > | 150 | 170 | 40 | x | 22 | 110 | 180 | | 40 | 13 | 9,4 | | | |
| > | 170 | 200 | 45 | x | 25 | 125 | 200 | | 45 | 14 | 10,4 | 0,7 1 | | |

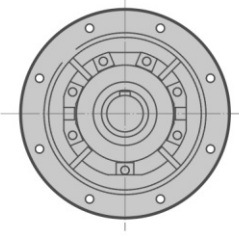
4.1 OUTPUT FLANGE



FA



FB FC FD



FB (H140)

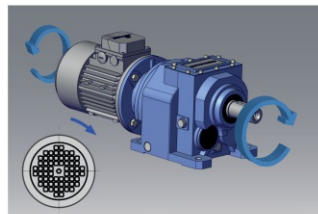
| H...F/H...U | | |
|--------------|--------------------|----|
| R041 R051 | 032/033 042/043 | FA |
| | | FB |
| | | FC |
| | | FD |
| R061 | 052/053 | FA |
| | | FB |
| R081 R101 | 062/063 | FA |
| | | FB |
| | | FC |
| R121 | 082/083 | FA |
| | | FB |
| | | FC |
| - | 102/103 | FA |
| | | FB |
| | | FC |
| | 122/123 | FA |
| | | FB |
| | | FC |
| 142/143 | 142/143 | FA |
| | | FB |
| | | FC |

4.2 BACKSTOP DEVICE

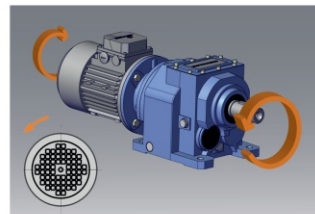
The gear reducer can be supplied with backstop device on input shaft. Backstop device allows output shaft rotation in only one sense of direction; according to the size, it is available in the input flange or in the motor with the same dimensions. It is important to specify the required sense of direction on the order. The backstop device is not available for mounting position V1/V5 with motor size IEC 100...225.

SENSE OF DIRECTION AVAILABLE

H... 1 - H... 1F - H... 1U - H... M - H... 3 - H... 3F - H... 3U

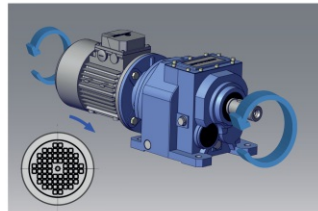


CLOCKWISE SENSE OF DIRECTION
REFERRED TO HIGH SPEED SHAFT

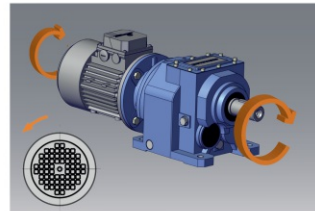


COUNTER CLOCKWISE SENSE OF DIRECTION
REFERRED TO HIGH SPEED SHAFT

H... 2 - H... 2F - H... 2U



CLOCKWISE SENSE OF DIRECTION
REFERRED TO HIGH SPEED SHAFT



COUNTER CLOCKWISE SENSE OF DIRECTION
REFERRED TO HIGH SPEED SHAFT

4.2 BACKSTOP DEVICE

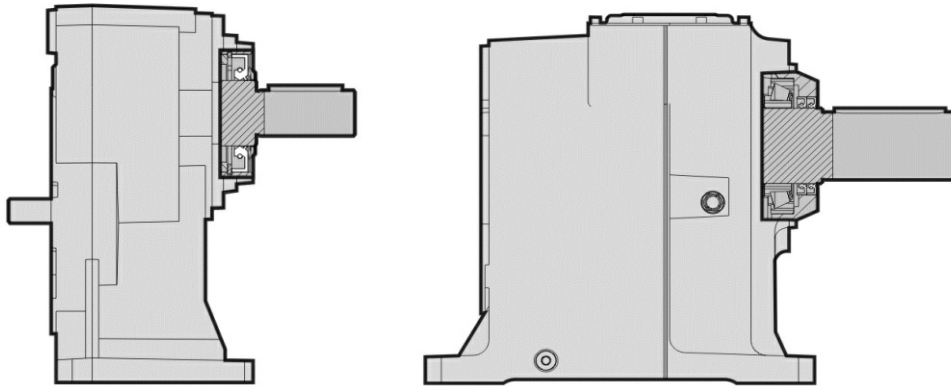
| | 063 | 071 | 080 | 090 | 100-112 | 132 | 160 | 180 | 200 | 225 |
|--------------|--------|--------|--------|--------|---------|--------|--------|--------|--------|--------|
| | 140x11 | 160x14 | 200x19 | 200x24 | 250x28 | 300x38 | 350x42 | 350x48 | 400x55 | 450x60 |
| H032 | | B5 | B5 | B5 | B5 | | | | | |
| H033 | B5 | B5 | B5 | B5 | | | | | | |
| HR041 | | B5 | B5 | B5 | | | | | | |
| H042 | | B5 | B5 | B5 | B5 | | | | | |
| H043 | B5 | B5 | B5 | B5 | | | | | | |
| HR051 | | B5 | B5 | B5 | B5 | | | | | |
| H052 | | B5 | B5 | B5 | B5 | | | | | |
| H053 | B5 | B5 | B5 | B5 | | | | | | |
| HR061 | | | B5 | B5 | B5 | | | | | |
| H062 | | | B5 | B5 | B5 | B5 | | | | |
| H063 | | B5 | B5 | B5 | B5 | | | | | |
| HR081 | | | B5 | B5 | B5 | B5 | | | | |
| H082 | | | B5 | B5 | B5 | B5 | B5 | | | |
| H083 | | | B5 | B5 | B5 | B5 | | | | |
| HR101 | | | | | B5 | B5 | B5 | B5 | | |
| H102 | | | | | B5 | B5 | B5 | B5 | | |
| H103 | | | | B5 | B5 | B5 | B5 | | | |
| HR121 | | | | | | B5 | B5 | B5 | B5 | |
| H122 | | | | | | B5 | B5 | B5 | B5 | |
| H123 | | | | | B5 | B5 | B5 | B5 | B5 | |
| H142 | | | | | | | B5 | B5 | B5 | B5 |
| H143 | | | | | | | B5 | B5 | B5 | |

4.3 REINFORCED OIL SEALS FOR OUTPUT SHAFT

The reinforced seal can be done depending on the gearbox size by means of two oil seals or through the standard oil seal with VRM ring. The difference of the two solutions is explained on the drawings.

The helical gear reducers from size 060 to size 140 (except for single stage) in V1/ V5 mounting position, are already equipped with 2 oil seals as standard.

On request the gear reducer can be supplied with fluoroelastomer FPM (FKM) seals.



| | Double oil seal | VRM ring |
|--------|-----------------|----------|
| HR041 | | X |
| HR051 | | X |
| HR061 | | X |
| HR081 | | X |
| HR101 | | X |
| HR121 | | X |
| H032/3 | | X |
| H042/3 | | X |
| H052/3 | | X |
| H062/3 | X | |
| H082/3 | X | |
| H102/3 | X | |
| H122/3 | X | |
| H142/3 | X | |

5.1 H/HA GEARED MOTORS (50Hz)

0,09 kW

| n2 [rpm] | M2 [Nm] | fs | i | Gear reducer | Size | Motor Pole | Fr2 [N] |
|-------------|------------|-----|--------|-----------------|------|---------------|------------|
| 136,5 | 6 | 3,9 | 6,30 | HA31 | 63A | 6 | 972 |
| 109,2 | 8 | 3,0 | 7,88 | HA31 | 63A | 6 | 1047 |
| 109,2 | 8 | 3,4 | 7,88 | HA41 | 63A | 6 | 1058 |
| 79,4 | 11 | 1,4 | 10,83 | HA31 | 63A | 6 | 1100 |
| 79,4 | 11 | 2,0 | 10,83 | HA41 | 63A | 6 | 1100 |
| 79,4 | 11 | 2,5 | 10,83 | HA51 | 63A | 6 | 3000 |
| 35,0 | 24 | 3,8 | 24,55 | HA32 | 63A | 6 | 2000 |
| 28,2 | 30 | 2,8 | 30,55 | HA32 | 63A | 6 | 2000 |
| 24,3 | 34 | 2,8 | 35,44 | HA32 | 63A | 6 | 2000 |
| 19,5 | 43 | 2,2 | 44,10 | HA32 | 63A | 6 | 2000 |
| 19,5 | 43 | 3,4 | 44,10 | HA42 | 63A | 6 | 4300 |
| 17,6 | 47 | 1,8 | 48,75 | HA32 | 63A | 6 | 2000 |
| 17,6 | 47 | 2,6 | 48,75 | HA42 | 63A | 6 | 4300 |
| 16,8 | 49 | 2,2 | 51,32 | HA33 | 63A | 6 | 2000 |
| 16,8 | 49 | 3,2 | 51,32 | HA43 | 63A | 6 | 4300 |
| 14,4 | 57 | 1,9 | 59,65 | HA33 | 63A | 6 | 2000 |
| 14,4 | 57 | 2,8 | 59,65 | HA43 | 63A | 6 | 4300 |
| 14,2 | 59 | 1,7 | 60,67 | HA32 | 63A | 6 | 2000 |
| 14,2 | 59 | 2,3 | 60,67 | HA42 | 63A | 6 | 4300 |
| 12,9 | 63 | 3,3 | 66,78 | H033 | 63A | 6 | 5500 |
| 11,9 | 69 | 1,5 | 72,27 | HA33 | 63A | 6 | 2000 |
| 11,9 | 69 | 2,3 | 72,27 | HA43 | 63A | 6 | 4300 |
| 11,5 | 71 | 3,0 | 74,84 | H033 | 63A | 6 | 5500 |
| 9,9 | 83 | 3,8 | 87,05 | H043 | 63A | 6 | 6600 |
| 9,8 | 84 | 3,8 | 88,02 | HA53 | 63A | 6 | 6000 |
| 9,6 | 85 | 1,2 | 89,94 | HA33 | 63A | 6 | 2000 |
| 9,6 | 85 | 1,8 | 89,94 | HA43 | 63A | 6 | 4300 |
| 8,7 | 94 | 2,2 | 99,27 | H033 | 63A | 6 | 5500 |
| 8,0 | 103 | 2,0 | 108,05 | H033 | 63A | 6 | 5500 |
| 7,8 | 105 | 1,0 | 110,51 | HA33 | 63A | 6 | 2000 |
| 7,8 | 105 | 1,5 | 110,51 | HA43 | 63A | 6 | 4300 |
| 7,7 | 106 | 3,0 | 111,61 | HA53 | 63A | 6 | 6000 |
| 7,5 | 109 | 2,9 | 114,55 | H043 | 63A | 6 | 6600 |
| 7,0 | 117 | 1,8 | 123,71 | H033 | 63A | 6 | 5500 |
| 6,8 | 119 | 2,6 | 125,69 | H043 | 63A | 6 | 6600 |
| 6,4 | 127 | 0,8 | 133,88 | HA33 | 63A | 6 | 2000 |
| 6,4 | 127 | 1,2 | 133,88 | HA43 | 63A | 6 | 4300 |
| 6,2 | 132 | 2,4 | 138,71 | HA53 | 63A | 6 | 6000 |
| 6,2 | 132 | 3,8 | 138,71 | HA63 | 63A | 6 | 8000 |
| 6,1 | 135 | 2,3 | 142,04 | H043 | 63A | 6 | 6600 |
| 6,0 | 136 | 1,5 | 143,33 | H033 | 63A | 6 | 5500 |
| 5,5 | 149 | 3,5 | 157,29 | H053 | 63A | 6 | 8000 |

5.1 H/HA GEARED MOTORS (50Hz)

0,09 kW

| n2 [rpm] | M2 [Nm] | fs | i | Gear reducer | Size | Motor Pole | Fr2 [N] |
|----------|---------|-----|--------|--------------|------|------------|---------|
| 5,3 | 155 | 2,0 | 163,05 | HA53 | 63A | 6 | 6000 |
| 5,3 | 155 | 3,3 | 163,05 | HA63 | 63A | 6 | 8000 |
| 5,2 | 157 | 2,0 | 165,38 | H043 | 63A | 6 | 6600 |
| 5,2 | 158 | 1,0 | 166,61 | HA43 | 63A | 6 | 4300 |
| 4,8 | 169 | 1,2 | 178,61 | H033 | 63A | 6 | 5500 |
| 4,4 | 187 | 1,1 | 197,17 | H033 | 63A | 6 | 5500 |
| 4,4 | 185 | 2,8 | 194,56 | H053 | 63A | 6 | 8000 |
| 4,4 | 183 | 0,9 | 193,30 | HA43 | 63A | 6 | 4300 |
| 4,3 | 190 | 1,7 | 200,27 | HA53 | 63A | 6 | 6000 |
| 4,3 | 190 | 2,7 | 200,27 | HA63 | 63A | 6 | 8000 |
| 4,2 | 195 | 1,6 | 205,07 | H043 | 63A | 6 | 6600 |
| 4,0 | 205 | 2,6 | 216,38 | H053 | 63A | 6 | 8000 |
| 3,8 | 216 | 1,5 | 227,50 | H043 | 63A | 6 | 6600 |
| 3,7 | 223 | 1,4 | 235,41 | HA53 | 63A | 6 | 6000 |
| 3,7 | 223 | 2,3 | 235,41 | HA63 | 63A | 6 | 8000 |
| 3,5 | 233 | 0,9 | 245,70 | H033 | 63A | 6 | 5500 |
| 3,2 | 254 | 2,1 | 267,65 | H053 | 63A | 6 | 8000 |
| 3,0 | 268 | 1,2 | 282,10 | H043 | 63A | 6 | 6600 |
| 3,0 | 270 | 1,2 | 284,81 | HA53 | 63A | 6 | 6000 |
| 3,0 | 270 | 1,9 | 284,81 | HA63 | 63A | 6 | 8000 |
| 2,4 | 336 | 0,9 | 353,98 | HA53 | 63A | 6 | 6000 |
| 2,4 | 336 | 1,5 | 353,98 | HA63 | 63A | 6 | 8000 |

0,12 kW

| n2 [rpm] | M2 [Nm] | fs | i | Gear reducer | Size | Motor Pole | Fr2 [N] |
|----------|---------|-----|-------|--------------|------|------------|---------|
| 181,1 | 6 | 3,7 | 4,75 | HA31 | 63B | 6 | 884 |
| 170,2 | 7 | 3,4 | 7,88 | HA31 | 63A | 4 | 903 |
| 170,2 | 7 | 3,8 | 7,88 | HA41 | 63A | 4 | 913 |
| 168,6 | 7 | 3,6 | 5,10 | HA31 | 63B | 6 | 906 |
| 157,7 | 7 | 3,4 | 5,45 | HA31 | 63B | 6 | 926 |
| 136,5 | 8 | 2,9 | 6,30 | HA31 | 63B | 6 | 972 |
| 123,7 | 9 | 1,6 | 10,83 | HA31 | 63A | 4 | 1004 |
| 123,7 | 9 | 2,2 | 10,83 | HA41 | 63A | 4 | 1015 |
| 123,7 | 9 | 2,8 | 10,83 | HA51 | 63A | 4 | 2798 |
| 109,2 | 10 | 2,2 | 7,88 | HA31 | 63B | 6 | 1047 |
| 109,2 | 10 | 2,6 | 7,88 | HA41 | 63B | 6 | 1058 |
| 79,4 | 14 | 1,0 | 10,83 | HA31 | 63B | 6 | 1100 |
| 79,4 | 14 | 1,5 | 10,83 | HA41 | 63B | 6 | 1100 |
| 79,4 | 14 | 1,9 | 10,83 | HA51 | 63B | 6 | 3000 |
| 52,2 | 21 | 3,9 | 16,49 | HA32 | 63B | 6 | 1873 |
| 43,9 | 25 | 3,2 | 30,55 | HA32 | 63A | 4 | 1985 |

0,12 kW

| n2 [rpm] | M2 [Nm] | fs | i | Gear reducer | Size | Motor Pole | Fr2 [N] |
|-------------|------------|-----|--------|-----------------|------|---------------|------------|
| 42,4 | 26 | 3,6 | 20,26 | HA32 | 63B | 6 | 2000 |
| 37,8 | 29 | 3,1 | 35,44 | HA32 | 63A | 4 | 2000 |
| 35,0 | 32 | 2,8 | 24,55 | HA32 | 63B | 6 | 2000 |
| 30,4 | 36 | 2,5 | 44,10 | HA32 | 63A | 4 | 2000 |
| 30,4 | 36 | 3,9 | 44,10 | HA42 | 63A | 4 | 4300 |
| 28,2 | 39 | 2,1 | 30,55 | HA32 | 63B | 6 | 2000 |
| 28,2 | 39 | 3,7 | 30,55 | HA42 | 63B | 6 | 4300 |
| 27,5 | 40 | 2,0 | 48,75 | HA32 | 63A | 4 | 2000 |
| 27,5 | 40 | 2,9 | 48,75 | HA42 | 63A | 4 | 4300 |
| 26,1 | 41 | 2,4 | 51,32 | HA33 | 63A | 4 | 2000 |
| 26,1 | 41 | 3,6 | 51,32 | HA43 | 63A | 4 | 4300 |
| 24,3 | 46 | 2,1 | 35,44 | HA32 | 63B | 6 | 2000 |
| 24,3 | 46 | 3,4 | 35,44 | HA42 | 63B | 6 | 4300 |
| 22,5 | 48 | 2,1 | 59,65 | HA33 | 63A | 4 | 2000 |
| 22,5 | 48 | 3,1 | 59,65 | HA43 | 63A | 4 | 4300 |
| 22,1 | 50 | 1,9 | 60,67 | HA32 | 63A | 4 | 2000 |
| 22,1 | 50 | 2,6 | 60,67 | HA42 | 63A | 4 | 4300 |
| 20,1 | 54 | 3,7 | 66,78 | H033 | 63A | 4 | 5500 |
| 19,5 | 57 | 1,7 | 44,10 | HA32 | 63B | 6 | 2000 |
| 19,5 | 57 | 2,6 | 44,10 | HA42 | 63B | 6 | 4300 |
| 18,5 | 58 | 1,7 | 72,27 | HA33 | 63A | 4 | 2000 |
| 18,5 | 58 | 2,6 | 72,27 | HA43 | 63A | 4 | 4300 |
| 17,9 | 60 | 3,3 | 74,84 | H033 | 63A | 4 | 5500 |
| 17,6 | 63 | 1,3 | 48,75 | HA32 | 63B | 6 | 2000 |
| 17,6 | 63 | 1,9 | 48,75 | HA42 | 63B | 6 | 4300 |
| 16,8 | 65 | 1,6 | 51,32 | HA33 | 63B | 6 | 2000 |
| 16,8 | 65 | 2,4 | 51,32 | HA43 | 63B | 6 | 4300 |
| 16,0 | 68 | 3,1 | 53,59 | H033 | 63B | 6 | 5500 |
| 14,9 | 72 | 1,4 | 89,94 | HA33 | 63A | 4 | 2000 |
| 14,9 | 72 | 2,1 | 89,94 | HA43 | 63A | 4 | 4300 |
| 14,4 | 75 | 1,4 | 59,65 | HA33 | 63B | 6 | 2000 |
| 14,4 | 75 | 2,1 | 59,65 | HA43 | 63B | 6 | 4300 |
| 14,2 | 78 | 1,3 | 60,67 | HA32 | 63B | 6 | 2000 |
| 14,2 | 78 | 1,7 | 60,67 | HA42 | 63B | 6 | 4300 |
| 13,5 | 80 | 2,5 | 99,27 | H033 | 63A | 4 | 5500 |
| 12,9 | 84 | 2,5 | 66,78 | H033 | 63B | 6 | 5500 |
| 12,4 | 87 | 2,3 | 108,05 | H033 | 63A | 4 | 5500 |
| 12,1 | 89 | 1,1 | 110,51 | HA33 | 63A | 4 | 2000 |
| 12,1 | 89 | 1,7 | 110,51 | HA43 | 63A | 4 | 4300 |
| 12,0 | 90 | 3,3 | 111,61 | HA53 | 63A | 4 | 6000 |
| 11,9 | 91 | 1,1 | 72,27 | HA33 | 63B | 6 | 2000 |
| 11,9 | 91 | 1,7 | 72,27 | HA43 | 63B | 6 | 4300 |

5.1 H/HA GEARED MOTORS (50Hz)

0,12 kW

| n2 [rpm] | M2 [Nm] | fs | i | Gear reducer | Size | Motor Pole | Fr2 [N] |
|-------------|------------|-----|--------|-----------------|------|---------------|------------|
| 11,7 | 92 | 3,3 | 114,55 | H043 | 63A | 4 | 6600 |
| 11,5 | 95 | 2,2 | 74,84 | H033 | 63B | 6 | 5500 |
| 11,5 | 95 | 3,3 | 74,88 | HA53 | 63B | 6 | 6000 |
| 11,2 | 97 | 3,2 | 76,67 | H043 | 63B | 6 | 6600 |
| 10,8 | 99 | 2,0 | 123,71 | H033 | 63A | 4 | 5500 |
| 10,7 | 101 | 3,0 | 125,69 | H043 | 63A | 4 | 6600 |
| 10,0 | 108 | 0,9 | 133,88 | HA33 | 63A | 4 | 2000 |
| 10,0 | 108 | 1,4 | 133,88 | HA43 | 63A | 4 | 4300 |
| 9,9 | 110 | 2,9 | 87,05 | H043 | 63B | 6 | 6600 |
| 9,8 | 111 | 2,8 | 88,02 | HA53 | 63B | 6 | 6000 |
| 9,7 | 112 | 2,7 | 138,71 | HA53 | 63A | 4 | 6000 |
| 9,6 | 114 | 0,9 | 89,94 | HA33 | 63B | 6 | 2000 |
| 9,6 | 114 | 1,4 | 89,94 | HA43 | 63B | 6 | 4300 |
| 9,4 | 114 | 2,6 | 142,04 | H043 | 63A | 4 | 6600 |
| 9,3 | 115 | 1,7 | 143,33 | H033 | 63A | 4 | 5500 |
| 8,7 | 126 | 1,7 | 99,27 | H033 | 63B | 6 | 5500 |
| 8,5 | 126 | 4,0 | 157,29 | H053 | 63A | 4 | 8000 |
| 8,2 | 131 | 2,3 | 163,05 | HA53 | 63A | 4 | 6000 |
| 8,2 | 131 | 3,7 | 163,05 | HA63 | 63A | 4 | 8000 |
| 8,1 | 133 | 2,3 | 165,38 | H043 | 63A | 4 | 6600 |
| 8,0 | 137 | 1,5 | 108,05 | H033 | 63B | 6 | 5500 |
| 8,0 | 134 | 1,1 | 166,61 | HA43 | 63A | 4 | 4300 |
| 7,9 | 138 | 3,8 | 108,95 | H053 | 63B | 6 | 8000 |
| 7,8 | 140 | 1,1 | 110,51 | HA43 | 63B | 6 | 4300 |
| 7,7 | 141 | 2,2 | 111,61 | HA53 | 63B | 6 | 6000 |
| 7,7 | 141 | 3,6 | 111,61 | HA63 | 63B | 6 | 8000 |
| 7,5 | 144 | 1,4 | 178,61 | H033 | 63A | 4 | 5500 |
| 7,5 | 145 | 2,2 | 114,55 | H043 | 63B | 6 | 6600 |
| 7,0 | 157 | 1,3 | 123,71 | H033 | 63B | 6 | 5500 |
| 6,9 | 156 | 3,2 | 194,56 | H053 | 63A | 4 | 8000 |
| 6,9 | 155 | 1,0 | 193,30 | HA43 | 63A | 4 | 4300 |
| 6,8 | 159 | 1,3 | 197,17 | H033 | 63A | 4 | 5500 |
| 6,8 | 159 | 2,0 | 125,69 | H043 | 63B | 6 | 6600 |
| 6,7 | 161 | 1,9 | 200,27 | HA53 | 63A | 4 | 6000 |
| 6,7 | 161 | 3,0 | 200,27 | HA63 | 63A | 4 | 8000 |
| 6,5 | 165 | 1,8 | 205,07 | H043 | 63A | 4 | 6600 |
| 6,4 | 170 | 3,1 | 134,76 | H053 | 63B | 6 | 8000 |
| 6,4 | 169 | 0,9 | 133,88 | HA43 | 63B | 6 | 4300 |
| 6,2 | 174 | 2,9 | 216,38 | H053 | 63A | 4 | 8000 |
| 6,2 | 175 | 1,8 | 138,71 | HA53 | 63B | 6 | 6000 |
| 6,2 | 175 | 2,9 | 138,71 | HA63 | 63B | 6 | 8000 |
| 6,1 | 180 | 1,8 | 142,04 | H043 | 63B | 6 | 6600 |

0,12 kW

| n2 [rpm] | M2 [Nm] | fs | i | Gear reducer | Size | Motor Pole | Fr2 [N] |
|----------|---------|-----|--------|--------------|------|------------|---------|
| 6,0 | 181 | 1,2 | 143,33 | H033 | 63B | 6 | 5500 |
| 5,9 | 183 | 1,6 | 227,50 | H043 | 63A | 4 | 6600 |
| 5,7 | 189 | 1,6 | 235,41 | HA53 | 63A | 4 | 6000 |
| 5,7 | 189 | 2,5 | 235,41 | HA63 | 63A | 4 | 8000 |
| 5,5 | 198 | 1,0 | 245,70 | H033 | 63A | 4 | 5500 |
| 5,5 | 199 | 2,6 | 157,29 | H053 | 63B | 6 | 8000 |
| 5,3 | 206 | 1,5 | 163,05 | HA53 | 63B | 6 | 6000 |
| 5,3 | 206 | 2,4 | 163,05 | HA63 | 63B | 6 | 8000 |
| 5,2 | 209 | 1,5 | 165,38 | H043 | 63B | 6 | 6600 |
| 5,0 | 215 | 2,3 | 267,65 | H053 | 63A | 4 | 8000 |
| 4,8 | 226 | 0,9 | 178,61 | H033 | 63B | 6 | 5500 |
| 4,8 | 227 | 1,3 | 282,10 | H043 | 63A | 4 | 6600 |
| 4,7 | 229 | 1,3 | 284,81 | HA53 | 63A | 4 | 6000 |
| 4,7 | 229 | 2,1 | 284,81 | HA63 | 63A | 4 | 8000 |
| 4,4 | 246 | 2,1 | 194,56 | H053 | 63B | 6 | 8000 |
| 4,3 | 253 | 1,2 | 200,27 | HA53 | 63B | 6 | 6000 |
| 4,3 | 253 | 2,0 | 200,27 | HA63 | 63B | 6 | 8000 |
| 4,2 | 259 | 1,2 | 205,07 | H043 | 63B | 6 | 6600 |
| 4,0 | 274 | 1,9 | 216,38 | H053 | 63B | 6 | 8000 |
| 3,8 | 288 | 1,1 | 227,50 | H043 | 63B | 6 | 6600 |
| 3,8 | 285 | 1,1 | 353,98 | HA53 | 63A | 4 | 6000 |
| 3,8 | 285 | 1,7 | 353,98 | HA63 | 63A | 4 | 8000 |
| 3,7 | 298 | 1,1 | 235,41 | HA53 | 63B | 6 | 6000 |
| 3,7 | 298 | 1,7 | 235,41 | HA63 | 63B | 6 | 8000 |
| 3,2 | 339 | 1,6 | 267,65 | H053 | 63B | 6 | 8000 |
| 3,0 | 360 | 0,9 | 284,81 | HA53 | 63B | 6 | 6000 |
| 3,0 | 360 | 1,4 | 284,81 | HA63 | 63B | 6 | 8000 |
| 2,4 | 448 | 1,1 | 353,98 | HA63 | 63B | 6 | 8000 |

0,15 kW

| n2 [rpm] | M2 [Nm] | fs | i | Gear reducer | Size | Motor Pole | Fr2 [N] |
|----------|---------|-----|------|--------------|------|------------|---------|
| 255,0 | 6 | 3,8 | 3,18 | HA31 | 63C | 6 | 789 |
| 241,3 | 6 | 3,6 | 3,36 | HA31 | 63C | 6 | 804 |
| 209,5 | 7 | 3,3 | 3,87 | HA31 | 63C | 6 | 842 |
| 192,2 | 7 | 3,0 | 4,21 | HA31 | 63C | 6 | 867 |
| 170,5 | 8 | 2,8 | 4,75 | HA31 | 63C | 6 | 902 |
| 170,5 | 8 | 3,8 | 4,75 | HA41 | 63C | 6 | 912 |
| 158,8 | 9 | 2,7 | 5,10 | HA31 | 63C | 6 | 924 |
| 148,5 | 9 | 2,6 | 5,45 | HA31 | 63C | 6 | 945 |
| 148,5 | 9 | 3,3 | 5,45 | HA41 | 63C | 6 | 955 |
| 128,6 | 11 | 2,2 | 6,30 | HA31 | 63C | 6 | 991 |

5.1 H/HA GEARED MOTORS (50Hz)

0,15 kW

| n2 [rpm] | M2 [Nm] | fs | i | Gear reducer | Size | Motor Pole | Fr2 [N] |
|-------------|------------|-----|--------|-----------------|------|---------------|------------|
| 102,9 | 14 | 1,7 | 7,88 | HA31 | 63C | 6 | 1068 |
| 102,9 | 14 | 1,9 | 7,88 | HA41 | 63C | 6 | 1080 |
| 102,9 | 14 | 3,1 | 7,88 | HA51 | 63C | 6 | 2975 |
| 74,8 | 19 | 1,1 | 10,83 | HA41 | 63C | 6 | 1100 |
| 74,8 | 19 | 1,4 | 10,83 | HA51 | 63C | 6 | 3000 |
| 61,1 | 23 | 3,7 | 13,25 | HA32 | 63C | 6 | 1777 |
| 49,1 | 28 | 3,0 | 16,49 | HA32 | 63C | 6 | 1911 |
| 40,0 | 35 | 2,7 | 20,26 | HA32 | 63C | 6 | 2000 |
| 33,0 | 42 | 2,1 | 24,55 | HA32 | 63C | 6 | 2000 |
| 33,0 | 42 | 3,9 | 24,55 | HA42 | 63C | 6 | 4300 |
| 26,5 | 52 | 1,6 | 30,55 | HA32 | 63C | 6 | 2000 |
| 26,5 | 52 | 2,8 | 30,55 | HA42 | 63C | 6 | 4300 |
| 22,9 | 61 | 1,6 | 35,44 | HA32 | 63C | 6 | 2000 |
| 22,9 | 61 | 2,6 | 35,44 | HA42 | 63C | 6 | 4300 |
| 18,4 | 76 | 1,2 | 44,10 | HA32 | 63C | 6 | 2000 |
| 18,4 | 76 | 1,9 | 44,10 | HA42 | 63C | 6 | 4300 |
| 16,6 | 84 | 1,0 | 48,75 | HA32 | 63C | 6 | 2000 |
| 16,6 | 84 | 1,4 | 48,75 | HA42 | 63C | 6 | 4300 |
| 16,3 | 84 | 3,8 | 49,80 | HA53 | 63C | 6 | 6000 |
| 15,8 | 86 | 1,2 | 51,32 | HA33 | 63C | 6 | 2000 |
| 15,8 | 86 | 1,8 | 51,32 | HA43 | 63C | 6 | 4300 |
| 15,1 | 90 | 2,3 | 53,59 | H033 | 63C | 6 | 5500 |
| 13,6 | 100 | 1,0 | 59,65 | HA33 | 63C | 6 | 2000 |
| 13,6 | 100 | 1,6 | 59,65 | HA43 | 63C | 6 | 4300 |
| 13,4 | 104 | 1,0 | 60,67 | HA32 | 63C | 6 | 2000 |
| 13,4 | 104 | 1,3 | 60,67 | HA42 | 63C | 6 | 4300 |
| 13,4 | 101 | 3,1 | 60,25 | HA53 | 63C | 6 | 6000 |
| 13,1 | 104 | 3,0 | 61,83 | H043 | 63C | 6 | 6600 |
| 12,1 | 112 | 1,9 | 66,78 | H033 | 63C | 6 | 5500 |
| 11,2 | 121 | 0,9 | 72,27 | HA33 | 63C | 6 | 2000 |
| 11,2 | 121 | 1,3 | 72,27 | HA43 | 63C | 6 | 4300 |
| 10,8 | 126 | 1,7 | 74,84 | H033 | 63C | 6 | 5500 |
| 10,8 | 126 | 2,5 | 74,88 | HA53 | 63C | 6 | 6000 |
| 10,6 | 129 | 2,4 | 76,67 | H043 | 63C | 6 | 6600 |
| 9,3 | 146 | 2,2 | 87,05 | H043 | 63C | 6 | 6600 |
| 9,2 | 148 | 2,1 | 88,02 | HA53 | 63C | 6 | 6000 |
| 9,2 | 148 | 3,4 | 88,02 | HA63 | 63C | 6 | 8000 |
| 9,0 | 151 | 1,0 | 89,94 | HA43 | 63C | 6 | 4300 |
| 8,9 | 152 | 3,5 | 90,51 | H053 | 63C | 6 | 8000 |
| 8,2 | 167 | 1,3 | 99,27 | H033 | 63C | 6 | 5500 |
| 7,5 | 181 | 1,2 | 108,05 | H033 | 63C | 6 | 5500 |
| 7,4 | 183 | 2,9 | 108,95 | H053 | 63C | 6 | 8000 |

5.1 H/HA GEARED MOTORS (50Hz)

0,15 kW

| n2 [rpm] | M2 [Nm] | fs | i | Gear reducer | Size | Motor Pole | Fr2 [N] |
|----------|---------|-----|--------|--------------|------|------------|---------|
| 7,3 | 186 | 0,8 | 110,51 | HA43 | 63C | 6 | 4300 |
| 7,3 | 187 | 1,7 | 111,61 | HA53 | 63C | 6 | 6000 |
| 7,3 | 187 | 2,7 | 111,61 | HA63 | 63C | 6 | 8000 |
| 7,1 | 192 | 1,6 | 114,55 | H043 | 63C | 6 | 6600 |
| 6,5 | 208 | 1,0 | 123,71 | H033 | 63C | 6 | 5500 |
| 6,4 | 211 | 1,5 | 125,69 | H043 | 63C | 6 | 6600 |
| 6,0 | 226 | 2,3 | 134,76 | H053 | 63C | 6 | 8000 |
| 5,8 | 233 | 1,4 | 138,71 | HA53 | 63C | 6 | 6000 |
| 5,8 | 233 | 2,2 | 138,71 | HA63 | 63C | 6 | 8000 |
| 5,7 | 238 | 1,3 | 142,04 | H043 | 63C | 6 | 6600 |
| 5,1 | 264 | 2,0 | 157,29 | H053 | 63C | 6 | 8000 |
| 5,0 | 274 | 1,2 | 163,05 | HA53 | 63C | 6 | 6000 |
| 5,0 | 274 | 1,8 | 163,05 | HA63 | 63C | 6 | 8000 |
| 4,9 | 278 | 1,1 | 165,38 | H043 | 63C | 6 | 6600 |
| 4,2 | 327 | 1,6 | 194,56 | H053 | 63C | 6 | 8000 |
| 4,0 | 336 | 0,9 | 200,27 | HA53 | 63C | 6 | 6000 |
| 4,0 | 336 | 1,5 | 200,27 | HA63 | 63C | 6 | 8000 |
| 3,9 | 344 | 0,9 | 205,07 | H043 | 63C | 6 | 6600 |
| 3,7 | 363 | 1,4 | 216,38 | H053 | 63C | 6 | 8000 |
| 3,4 | 395 | 1,3 | 235,41 | HA63 | 63C | 6 | 8000 |
| 3,0 | 449 | 1,2 | 267,65 | H053 | 63C | 6 | 8000 |
| 2,8 | 478 | 1,1 | 284,81 | HA63 | 63C | 6 | 8000 |
| 2,3 | 594 | 0,8 | 353,98 | HA63 | 63C | 6 | 8000 |

0,18 kW

| n2 [rpm] | M2 [Nm] | fs | i | Gear reducer | Size | Motor Pole | Fr2 [N] |
|----------|---------|-----|-------|--------------|------|------------|---------|
| 355,6 | 5 | 3,6 | 7,88 | HA31 | 63A | 2 | 706 |
| 315,6 | 5 | 4,0 | 4,21 | HA31 | 63B | 4 | 735 |
| 305,7 | 6 | 3,8 | 2,94 | HA31 | 71A | 6 | 743 |
| 283,3 | 6 | 3,5 | 3,18 | HA31 | 71A | 6 | 762 |
| 280,0 | 6 | 3,7 | 4,75 | HA31 | 63B | 4 | 765 |
| 268,1 | 6 | 3,3 | 3,36 | HA31 | 71A | 6 | 776 |
| 260,8 | 6 | 3,6 | 5,10 | HA31 | 63B | 4 | 783 |
| 258,5 | 6 | 1,7 | 10,83 | HA31 | 63A | 2 | 785 |
| 258,5 | 6 | 2,4 | 10,83 | HA41 | 63A | 2 | 794 |
| 258,5 | 6 | 3,0 | 10,83 | HA51 | 63A | 2 | 2188 |
| 243,8 | 7 | 3,4 | 5,45 | HA31 | 63B | 4 | 801 |
| 232,8 | 7 | 3,0 | 3,87 | HA31 | 71A | 6 | 813 |
| 213,6 | 8 | 2,8 | 4,21 | HA31 | 71A | 6 | 837 |
| 211,1 | 8 | 2,9 | 6,30 | HA31 | 63B | 4 | 840 |
| 189,5 | 9 | 2,6 | 4,75 | HA31 | 71A | 6 | 871 |

5.1 H/HA GEARED MOTORS (50Hz)

0,18 kW

| n2 [rpm] | M2 [Nm] | fs | i | Gear reducer | Size | Motor Pole | Fr2 [N] |
|-------------|------------|-----|-------|-----------------|------|---------------|------------|
| 189,5 | 9 | 3,5 | 4,75 | HA41 | 71A | 6 | 881 |
| 176,5 | 10 | 2,5 | 5,10 | HA31 | 71A | 6 | 892 |
| 168,9 | 10 | 2,2 | 7,88 | HA31 | 63B | 4 | 905 |
| 168,9 | 10 | 2,5 | 7,88 | HA41 | 63B | 4 | 915 |
| 165,0 | 10 | 2,4 | 5,45 | HA31 | 71A | 6 | 912 |
| 165,0 | 10 | 3,1 | 5,45 | HA41 | 71A | 6 | 922 |
| 142,9 | 12 | 2,0 | 6,30 | HA31 | 71A | 6 | 957 |
| 122,8 | 14 | 1,0 | 10,83 | HA31 | 63B | 4 | 1007 |
| 122,8 | 14 | 1,5 | 10,83 | HA41 | 63B | 4 | 1018 |
| 122,8 | 14 | 1,8 | 10,83 | HA51 | 63B | 4 | 2805 |
| 117,4 | 14 | 3,7 | 7,67 | HR041 | 71A | 6 | 1000 |
| 114,3 | 15 | 1,6 | 7,88 | HA31 | 71A | 6 | 1031 |
| 114,3 | 15 | 1,8 | 7,88 | HA41 | 71A | 6 | 1042 |
| 114,3 | 15 | 2,9 | 7,88 | HA51 | 71A | 6 | 2873 |
| 102,9 | 16 | 3,5 | 8,75 | HR041 | 71A | 6 | 1000 |
| 91,7 | 17 | 3,5 | 30,55 | HA32 | 63A | 2 | 1552 |
| 83,1 | 20 | 1,0 | 10,83 | HA41 | 71A | 6 | 1100 |
| 83,1 | 20 | 1,3 | 10,83 | HA51 | 71A | 6 | 3000 |
| 80,7 | 20 | 3,9 | 16,49 | HA32 | 63B | 4 | 1620 |
| 79,0 | 20 | 3,3 | 35,44 | HA32 | 63A | 2 | 1631 |
| 67,9 | 25 | 3,4 | 13,25 | HA32 | 71A | 6 | 1716 |
| 65,6 | 25 | 3,6 | 20,26 | HA32 | 63B | 4 | 1735 |
| 63,5 | 25 | 2,7 | 44,10 | HA32 | 63A | 2 | 1755 |
| 57,4 | 28 | 2,2 | 48,75 | HA32 | 63A | 2 | 1814 |
| 57,4 | 28 | 3,1 | 48,75 | HA42 | 63A | 2 | 3819 |
| 54,6 | 31 | 2,8 | 16,49 | HA32 | 71A | 6 | 1845 |
| 54,6 | 29 | 2,6 | 51,32 | HA33 | 63A | 2 | 1846 |
| 54,6 | 29 | 3,9 | 51,32 | HA43 | 63A | 2 | 3885 |
| 54,2 | 30 | 2,8 | 24,55 | HA32 | 63B | 4 | 1850 |
| 46,9 | 33 | 2,3 | 59,65 | HA33 | 63A | 2 | 1940 |
| 46,9 | 33 | 3,4 | 59,65 | HA43 | 63A | 2 | 4085 |
| 46,2 | 35 | 2,1 | 60,67 | HA32 | 63A | 2 | 1951 |
| 46,2 | 35 | 2,8 | 60,67 | HA42 | 63A | 2 | 4108 |
| 44,4 | 38 | 2,5 | 20,26 | HA32 | 71A | 6 | 1976 |
| 43,5 | 38 | 2,1 | 30,55 | HA32 | 63B | 4 | 1990 |
| 43,5 | 38 | 3,7 | 30,55 | HA42 | 63B | 4 | 4189 |
| 38,7 | 40 | 1,9 | 72,27 | HA33 | 63A | 2 | 2000 |
| 38,7 | 40 | 2,8 | 72,27 | HA43 | 63A | 2 | 4300 |
| 37,5 | 44 | 2,0 | 35,44 | HA32 | 63B | 4 | 2000 |
| 37,5 | 44 | 3,4 | 35,44 | HA42 | 63B | 4 | 4300 |
| 37,4 | 42 | 3,6 | 74,84 | H033 | 63A | 2 | 5500 |
| 36,7 | 45 | 2,0 | 24,55 | HA32 | 71A | 6 | 2000 |

5.1 H/HA GEARED MOTORS (50Hz)

0,18 kW

| n2 [rpm] | M2 [Nm] | fs | i | Gear reducer | Size | Motor Pole | Fr2 [N] |
|-------------|------------|-----|--------|-----------------|------|---------------|------------|
| 36,7 | 45 | 3,6 | 24,55 | HA42 | 71A | 6 | 4300 |
| 31,1 | 50 | 1,5 | 89,94 | HA33 | 63A | 2 | 2000 |
| 31,1 | 50 | 2,2 | 89,94 | HA43 | 63A | 2 | 4300 |
| 30,3 | 55 | 3,8 | 29,70 | H032 | 71A | 6 | 5500 |
| 30,2 | 55 | 1,6 | 44,10 | HA32 | 63B | 4 | 2000 |
| 30,2 | 55 | 2,6 | 44,10 | HA42 | 63B | 4 | 4300 |
| 29,5 | 57 | 1,5 | 30,55 | HA32 | 71A | 6 | 2000 |
| 29,5 | 57 | 2,6 | 30,55 | HA42 | 71A | 6 | 4300 |
| 28,2 | 55 | 2,7 | 99,27 | H033 | 63A | 2 | 5500 |
| 27,4 | 61 | 3,4 | 32,89 | H032 | 71A | 6 | 5500 |
| 27,3 | 60 | 1,3 | 48,75 | HA32 | 63B | 4 | 2000 |
| 27,3 | 60 | 1,9 | 48,75 | HA42 | 63B | 4 | 4300 |
| 25,9 | 60 | 2,5 | 108,05 | H033 | 63A | 2 | 5500 |
| 25,9 | 62 | 1,6 | 51,32 | HA33 | 63B | 4 | 2000 |
| 25,9 | 62 | 2,4 | 51,32 | HA43 | 63B | 4 | 4300 |
| 25,4 | 66 | 1,4 | 35,44 | HA32 | 71A | 6 | 2000 |
| 25,4 | 66 | 2,4 | 35,44 | HA42 | 71A | 6 | 4300 |
| 25,3 | 62 | 1,2 | 110,51 | HA33 | 63A | 2 | 2000 |
| 25,3 | 62 | 1,8 | 110,51 | HA43 | 63A | 2 | 4300 |
| 25,1 | 62 | 3,6 | 111,61 | HA53 | 63A | 2 | 6000 |
| 24,8 | 65 | 3,1 | 53,59 | H033 | 63B | 4 | 5500 |
| 24,4 | 64 | 3,5 | 114,55 | H043 | 63A | 2 | 6600 |
| 23,7 | 70 | 3,0 | 37,92 | H032 | 71A | 6 | 5500 |
| 22,6 | 69 | 2,2 | 123,71 | H033 | 63A | 2 | 5500 |
| 22,3 | 70 | 3,2 | 125,69 | H043 | 63A | 2 | 6600 |
| 22,3 | 72 | 1,4 | 59,65 | HA33 | 63B | 4 | 2000 |
| 22,3 | 72 | 2,1 | 59,65 | HA43 | 63B | 4 | 4300 |
| 21,9 | 75 | 1,3 | 60,67 | HA32 | 63B | 4 | 2000 |
| 21,9 | 75 | 1,7 | 60,67 | HA42 | 63B | 4 | 4300 |
| 21,7 | 77 | 2,7 | 41,40 | H032 | 71A | 6 | 5500 |
| 21,5 | 75 | 4,0 | 61,83 | H043 | 63B | 4 | 6600 |
| 20,9 | 75 | 1,0 | 133,88 | HA33 | 63A | 2 | 2000 |
| 20,9 | 75 | 1,5 | 133,88 | HA43 | 63A | 2 | 4300 |
| 20,6 | 81 | 3,6 | 43,75 | H042 | 71A | 6 | 6600 |
| 20,4 | 82 | 1,2 | 44,10 | HA32 | 71A | 6 | 2000 |
| 20,4 | 82 | 1,8 | 44,10 | HA42 | 71A | 6 | 4300 |
| 20,2 | 77 | 2,9 | 138,71 | HA53 | 63A | 2 | 6000 |
| 19,9 | 81 | 2,5 | 66,78 | H033 | 63B | 4 | 5500 |
| 19,7 | 79 | 2,8 | 142,04 | H043 | 63A | 2 | 6600 |
| 19,5 | 80 | 1,9 | 143,33 | H033 | 63A | 2 | 5500 |
| 19,0 | 88 | 2,4 | 47,25 | H032 | 71A | 6 | 5500 |
| 18,9 | 88 | 3,3 | 47,53 | H042 | 71A | 6 | 6600 |

5.1 H/HA GEARED MOTORS (50Hz)

0,18 kW

| n2 [rpm] | M2 [Nm] | fs | i | Gear reducer | Size | Motor Pole | Fr2 [N] |
|-------------|------------|-----|--------|-----------------|------|---------------|------------|
| 18,5 | 90 | 0,9 | 48,75 | HA32 | 71A | 6 | 2000 |
| 18,5 | 90 | 1,3 | 48,75 | HA42 | 71A | 6 | 4300 |
| 18,4 | 88 | 1,1 | 72,27 | HA33 | 63B | 4 | 2000 |
| 18,4 | 88 | 1,7 | 72,27 | HA43 | 63B | 4 | 4300 |
| 18,1 | 90 | 3,5 | 49,80 | HA53 | 71A | 6 | 6000 |
| 17,8 | 91 | 2,2 | 74,84 | H033 | 63B | 4 | 5500 |
| 17,8 | 91 | 3,3 | 74,88 | HA53 | 63B | 4 | 6000 |
| 17,5 | 93 | 1,1 | 51,32 | HA33 | 71A | 6 | 2000 |
| 17,5 | 93 | 1,7 | 51,32 | HA43 | 71A | 6 | 4300 |
| 17,3 | 93 | 3,2 | 76,67 | H043 | 63B | 4 | 6600 |
| 17,2 | 91 | 2,5 | 163,05 | HA53 | 63A | 2 | 6000 |
| 17,2 | 91 | 4,0 | 163,05 | HA63 | 63A | 2 | 8000 |
| 16,9 | 92 | 2,4 | 165,38 | H043 | 63A | 2 | 6600 |
| 16,8 | 97 | 2,2 | 53,59 | H033 | 71A | 6 | 5500 |
| 16,8 | 93 | 1,2 | 166,61 | HA43 | 63A | 2 | 4300 |
| 16,6 | 100 | 2,9 | 54,25 | H042 | 71A | 6 | 6600 |
| 15,7 | 99 | 1,5 | 178,61 | H033 | 63A | 2 | 5500 |
| 15,3 | 106 | 2,8 | 87,05 | H043 | 63B | 4 | 6600 |
| 15,1 | 108 | 1,0 | 59,65 | HA33 | 71A | 6 | 2000 |
| 15,1 | 108 | 1,5 | 59,65 | HA43 | 71A | 6 | 4300 |
| 15,1 | 107 | 2,8 | 88,02 | HA53 | 63B | 4 | 6000 |
| 14,9 | 109 | 2,9 | 60,25 | HA53 | 71A | 6 | 6000 |
| 14,8 | 112 | 0,9 | 60,67 | HA32 | 71A | 6 | 2000 |
| 14,8 | 109 | 0,9 | 89,94 | HA33 | 63B | 4 | 2000 |
| 14,8 | 112 | 1,2 | 60,67 | HA42 | 71A | 6 | 4300 |
| 14,8 | 109 | 1,4 | 89,94 | HA43 | 63B | 4 | 4300 |
| 14,6 | 112 | 2,8 | 61,83 | H043 | 71A | 6 | 6600 |
| 14,5 | 108 | 1,0 | 193,30 | HA43 | 63A | 2 | 4300 |
| 14,4 | 108 | 3,5 | 194,56 | H053 | 63A | 2 | 8000 |
| 14,2 | 110 | 1,4 | 197,17 | H033 | 63A | 2 | 5500 |
| 14,0 | 112 | 2,0 | 200,27 | HA53 | 63A | 2 | 6000 |
| 14,0 | 112 | 3,2 | 200,27 | HA63 | 63A | 2 | 8000 |
| 13,7 | 114 | 2,0 | 205,07 | H043 | 63A | 2 | 6600 |
| 13,5 | 121 | 1,7 | 66,78 | H033 | 71A | 6 | 5500 |
| 13,4 | 121 | 1,7 | 99,27 | H033 | 63B | 4 | 5500 |
| 12,9 | 121 | 3,1 | 216,38 | H053 | 63A | 2 | 8000 |
| 12,5 | 131 | 0,8 | 72,27 | HA33 | 71A | 6 | 2000 |
| 12,5 | 131 | 1,2 | 72,27 | HA43 | 71A | 6 | 4300 |
| 12,4 | 132 | 4,0 | 72,75 | H053 | 71A | 6 | 8000 |
| 12,3 | 131 | 1,5 | 108,05 | H033 | 63B | 4 | 5500 |
| 12,3 | 127 | 1,8 | 227,50 | H043 | 63A | 2 | 6600 |
| 12,2 | 132 | 3,8 | 108,95 | H053 | 63B | 4 | 8000 |

5.1 H/HA GEARED MOTORS (50Hz)

0,18 kW

| n2 [rpm] | M2 [Nm] | fs | i | Gear reducer | Size | Motor Pole | Fr2 [N] |
|-------------|------------|-----|--------|-----------------|------|---------------|------------|
| 12,0 | 136 | 1,5 | 74,84 | H033 | 71A | 6 | 5500 |
| 12,0 | 134 | 1,1 | 110,51 | HA43 | 63B | 4 | 4300 |
| 12,0 | 136 | 2,3 | 74,88 | HA53 | 71A | 6 | 6000 |
| 12,0 | 136 | 3,7 | 74,88 | HA63 | 71A | 6 | 8000 |
| 11,9 | 136 | 2,2 | 111,61 | HA53 | 63B | 4 | 6000 |
| 11,9 | 131 | 1,7 | 235,41 | HA53 | 63A | 2 | 6000 |
| 11,9 | 136 | 3,5 | 111,61 | HA63 | 63B | 4 | 8000 |
| 11,9 | 131 | 2,7 | 235,41 | HA63 | 63A | 2 | 8000 |
| 11,7 | 139 | 2,3 | 76,67 | H043 | 71A | 6 | 6600 |
| 11,6 | 139 | 2,2 | 114,55 | H043 | 63B | 4 | 6600 |
| 11,4 | 137 | 1,1 | 245,70 | H033 | 63A | 2 | 5500 |
| 10,8 | 150 | 1,3 | 123,71 | H033 | 63B | 4 | 5500 |
| 10,6 | 153 | 2,0 | 125,69 | H043 | 63B | 4 | 6600 |
| 10,5 | 149 | 2,5 | 267,65 | H053 | 63A | 2 | 8000 |
| 10,3 | 158 | 2,0 | 87,05 | H043 | 71A | 6 | 6600 |
| 10,2 | 160 | 2,0 | 88,02 | HA53 | 71A | 6 | 6000 |
| 10,2 | 160 | 3,2 | 88,02 | HA63 | 71A | 6 | 8000 |
| 10,0 | 163 | 1,0 | 89,94 | HA43 | 71A | 6 | 4300 |
| 9,9 | 157 | 1,4 | 282,10 | H043 | 63A | 2 | 6600 |
| 9,9 | 164 | 3,2 | 90,51 | H053 | 71A | 6 | 8000 |
| 9,9 | 164 | 3,1 | 134,76 | H053 | 63B | 4 | 8000 |
| 9,9 | 163 | 0,9 | 133,88 | HA43 | 63B | 4 | 4300 |
| 9,8 | 159 | 1,4 | 284,81 | HA53 | 63A | 2 | 6000 |
| 9,8 | 159 | 2,3 | 284,81 | HA63 | 63A | 2 | 8000 |
| 9,6 | 169 | 1,8 | 138,71 | HA53 | 63B | 4 | 6000 |
| 9,6 | 169 | 2,8 | 138,71 | HA63 | 63B | 4 | 8000 |
| 9,4 | 173 | 1,7 | 142,04 | H043 | 63B | 4 | 6600 |
| 9,3 | 174 | 1,1 | 143,33 | H033 | 63B | 4 | 5500 |
| 9,1 | 180 | 1,2 | 99,27 | H033 | 71A | 6 | 5500 |
| 8,5 | 191 | 2,6 | 157,29 | H053 | 63B | 4 | 8000 |
| 8,3 | 196 | 1,1 | 108,05 | H033 | 71A | 6 | 5500 |
| 8,3 | 198 | 2,7 | 108,95 | H053 | 71A | 6 | 8000 |
| 8,2 | 198 | 1,5 | 163,05 | HA53 | 63B | 4 | 6000 |
| 8,2 | 198 | 2,4 | 163,05 | HA63 | 63B | 4 | 8000 |
| 8,1 | 202 | 1,6 | 111,61 | HA53 | 71A | 6 | 6000 |
| 8,1 | 202 | 2,5 | 111,61 | HA63 | 71A | 6 | 8000 |
| 8,0 | 201 | 1,5 | 165,38 | H043 | 63B | 4 | 6600 |
| 7,9 | 208 | 1,5 | 114,55 | H043 | 71A | 6 | 6600 |
| 7,9 | 197 | 1,1 | 353,98 | HA53 | 63A | 2 | 6000 |
| 7,9 | 197 | 1,8 | 353,98 | HA63 | 63A | 2 | 8000 |
| 7,4 | 217 | 0,9 | 178,61 | H033 | 63B | 4 | 5500 |
| 7,3 | 224 | 0,9 | 123,71 | H033 | 71A | 6 | 5500 |

5.1 H/HA GEARED MOTORS (50Hz)

0,18 kW

| n2 [rpm] | M2 [Nm] | fs | i | Gear reducer | Size | Motor Pole | Fr2 [N] |
|----------|---------|-----|--------|--------------|------|------------|---------|
| 7,2 | 228 | 1,4 | 125,69 | H043 | 71A | 6 | 6600 |
| 6,8 | 236 | 2,1 | 194,56 | H053 | 63B | 4 | 8000 |
| 6,7 | 244 | 2,1 | 134,76 | H053 | 71A | 6 | 8000 |
| 6,6 | 246 | 3,6 | 135,40 | H063 | 71A | 6 | 12000 |
| 6,6 | 243 | 1,2 | 200,27 | HA53 | 63B | 4 | 6000 |
| 6,6 | 243 | 2,0 | 200,27 | HA63 | 63B | 4 | 8000 |
| 6,5 | 249 | 1,2 | 205,07 | H043 | 63B | 4 | 6600 |
| 6,5 | 252 | 1,3 | 138,71 | HA53 | 71A | 6 | 6000 |
| 6,5 | 252 | 2,0 | 138,71 | HA63 | 71A | 6 | 8000 |
| 6,3 | 258 | 1,2 | 142,04 | H043 | 71A | 6 | 6600 |
| 6,1 | 263 | 1,9 | 216,38 | H053 | 63B | 4 | 8000 |
| 6,0 | 271 | 3,3 | 149,51 | H063 | 71A | 6 | 12000 |
| 5,8 | 276 | 1,1 | 227,50 | H043 | 63B | 4 | 6600 |
| 5,7 | 285 | 1,8 | 157,29 | H053 | 71A | 6 | 8000 |
| 5,6 | 286 | 1,0 | 235,41 | HA53 | 63B | 4 | 6000 |
| 5,6 | 286 | 1,7 | 235,41 | HA63 | 63B | 4 | 8000 |
| 5,5 | 296 | 1,1 | 163,05 | HA53 | 71A | 6 | 6000 |
| 5,5 | 296 | 1,7 | 163,05 | HA63 | 71A | 6 | 8000 |
| 5,4 | 300 | 1,1 | 165,38 | H043 | 71A | 6 | 6600 |
| 5,3 | 309 | 2,9 | 170,67 | H063 | 71A | 6 | 12000 |
| 5,0 | 325 | 1,5 | 267,65 | H053 | 63B | 4 | 8000 |
| 4,8 | 338 | 2,6 | 186,18 | H063 | 71A | 6 | 12000 |
| 4,7 | 346 | 0,9 | 284,81 | HA53 | 63B | 4 | 6000 |
| 4,7 | 346 | 1,4 | 284,81 | HA63 | 63B | 4 | 8000 |
| 4,6 | 353 | 1,5 | 194,56 | H053 | 71A | 6 | 8000 |
| 4,5 | 363 | 0,9 | 200,27 | HA53 | 71A | 6 | 6000 |
| 4,5 | 363 | 1,4 | 200,27 | HA63 | 71A | 6 | 8000 |
| 4,2 | 392 | 1,3 | 216,38 | H053 | 71A | 6 | 8000 |
| 4,2 | 390 | 2,3 | 215,21 | H063 | 71A | 6 | 12000 |
| 3,8 | 426 | 2,1 | 234,67 | H063 | 71A | 6 | 12000 |
| 3,8 | 427 | 1,2 | 235,41 | HA63 | 71A | 6 | 8000 |
| 3,8 | 430 | 1,1 | 353,98 | HA63 | 63B | 4 | 8000 |
| 3,4 | 485 | 1,1 | 267,65 | H053 | 71A | 6 | 8000 |
| 3,4 | 486 | 1,8 | 268,00 | H063 | 71A | 6 | 12000 |
| 3,2 | 516 | 1,0 | 284,81 | HA63 | 71A | 6 | 8000 |

0,22 kW

| n2 [rpm] | M2 [Nm] | fs | i | Gear reducer | Size | Motor Pole | Fr2 [N] |
|----------|---------|-----|------|--------------|------|------------|---------|
| 396,2 | 5 | 3,9 | 3,36 | HA31 | 63C | 4 | 681 |
| 344,0 | 6 | 3,5 | 3,87 | HA31 | 63C | 4 | 714 |
| 315,6 | 6 | 3,3 | 4,21 | HA31 | 63C | 4 | 735 |

5.1 H/HA GEARED MOTORS (50Hz)

0,22 kW

| n2 [rpm] | M2 [Nm] | fs | i | Gear reducer | Size | Motor Pole | Fr2 [N] |
|-------------|------------|-----|-------|-----------------|------|---------------|------------|
| 280,0 | 7 | 3,0 | 4,75 | HA31 | 63C | 4 | 765 |
| 260,8 | 8 | 2,9 | 5,10 | HA31 | 63C | 4 | 783 |
| 243,8 | 8 | 2,8 | 5,45 | HA31 | 63C | 4 | 801 |
| 243,8 | 8 | 3,6 | 5,45 | HA41 | 63C | 4 | 810 |
| 211,1 | 10 | 2,4 | 6,30 | HA31 | 63C | 4 | 840 |
| 168,9 | 12 | 1,8 | 7,88 | HA31 | 63C | 4 | 905 |
| 168,9 | 12 | 2,1 | 7,88 | HA41 | 63C | 4 | 915 |
| 168,9 | 12 | 3,3 | 7,88 | HA51 | 63C | 4 | 2522 |
| 122,8 | 17 | 0,8 | 10,83 | HA31 | 63C | 4 | 1007 |
| 122,8 | 17 | 1,2 | 10,83 | HA41 | 63C | 4 | 1018 |
| 122,8 | 17 | 1,5 | 10,83 | HA51 | 63C | 4 | 2805 |
| 100,4 | 20 | 4,0 | 13,25 | HA32 | 63C | 4 | 1506 |
| 80,7 | 25 | 3,2 | 16,49 | HA32 | 63C | 4 | 1620 |
| 65,6 | 31 | 2,9 | 20,26 | HA32 | 63C | 4 | 1735 |
| 54,2 | 37 | 2,3 | 24,55 | HA32 | 63C | 4 | 1850 |
| 43,5 | 46 | 1,7 | 30,55 | HA32 | 63C | 4 | 1990 |
| 43,5 | 46 | 3,0 | 30,55 | HA42 | 63C | 4 | 4189 |
| 37,5 | 54 | 1,7 | 35,44 | HA32 | 63C | 4 | 2000 |
| 37,5 | 54 | 2,8 | 35,44 | HA42 | 63C | 4 | 4300 |
| 30,2 | 67 | 1,3 | 44,10 | HA32 | 63C | 4 | 2000 |
| 30,2 | 67 | 2,1 | 44,10 | HA42 | 63C | 4 | 4300 |
| 27,3 | 74 | 1,1 | 48,75 | HA32 | 63C | 4 | 2000 |
| 27,3 | 74 | 1,6 | 48,75 | HA42 | 63C | 4 | 4300 |
| 25,9 | 76 | 1,3 | 51,32 | HA33 | 63C | 4 | 2000 |
| 25,9 | 76 | 2,0 | 51,32 | HA43 | 63C | 4 | 4300 |
| 24,8 | 80 | 2,5 | 53,59 | H033 | 63C | 4 | 5500 |
| 22,3 | 89 | 1,1 | 59,65 | HA33 | 63C | 4 | 2000 |
| 22,3 | 89 | 1,7 | 59,65 | HA43 | 63C | 4 | 4300 |
| 22,1 | 89 | 3,4 | 60,25 | HA53 | 63C | 4 | 6000 |
| 21,9 | 92 | 1,0 | 60,67 | HA32 | 63C | 4 | 2000 |
| 21,9 | 92 | 1,4 | 60,67 | HA42 | 63C | 4 | 4300 |
| 21,5 | 92 | 3,3 | 61,83 | H043 | 63C | 4 | 6600 |
| 19,9 | 99 | 2,0 | 66,78 | H033 | 63C | 4 | 5500 |
| 18,4 | 107 | 0,9 | 72,27 | HA33 | 63C | 4 | 2000 |
| 18,4 | 107 | 1,4 | 72,27 | HA43 | 63C | 4 | 4300 |
| 17,8 | 111 | 1,8 | 74,84 | H033 | 63C | 4 | 5500 |
| 17,8 | 111 | 2,7 | 74,88 | HA53 | 63C | 4 | 6000 |
| 17,3 | 114 | 2,6 | 76,67 | H043 | 63C | 4 | 6600 |
| 15,3 | 129 | 2,3 | 87,05 | H043 | 63C | 4 | 6600 |
| 15,1 | 131 | 2,3 | 88,02 | HA53 | 63C | 4 | 6000 |
| 15,1 | 131 | 3,7 | 88,02 | HA63 | 63C | 4 | 8000 |
| 14,8 | 134 | 1,1 | 89,94 | HA43 | 63C | 4 | 4300 |

5.1 H/HA GEARED MOTORS (50Hz)

0,22 kW

| n2 [rpm] | M2 [Nm] | fs | i | Gear reducer | Size | Motor Pole | Fr2 [N] |
|-------------|------------|-----|--------|-----------------|------|---------------|------------|
| 14,7 | 134 | 3,7 | 90,51 | H053 | 63C | 4 | 8000 |
| 13,4 | 147 | 1,4 | 99,27 | H033 | 63C | 4 | 5500 |
| 12,3 | 160 | 1,2 | 108,05 | H033 | 63C | 4 | 5500 |
| 12,2 | 162 | 3,1 | 108,95 | H053 | 63C | 4 | 8000 |
| 12,0 | 164 | 0,9 | 110,51 | HA43 | 63C | 4 | 4300 |
| 11,9 | 166 | 1,8 | 111,61 | HA53 | 63C | 4 | 6000 |
| 11,9 | 166 | 2,9 | 111,61 | HA63 | 63C | 4 | 8000 |
| 11,6 | 170 | 1,8 | 114,55 | H043 | 63C | 4 | 6600 |
| 10,8 | 184 | 1,1 | 123,71 | H033 | 63C | 4 | 5500 |
| 10,6 | 187 | 1,6 | 125,69 | H043 | 63C | 4 | 6600 |
| 9,9 | 200 | 2,5 | 134,76 | H053 | 63C | 4 | 8000 |
| 9,6 | 206 | 1,5 | 138,71 | HA53 | 63C | 4 | 6000 |
| 9,6 | 206 | 2,3 | 138,71 | HA63 | 63C | 4 | 8000 |
| 9,4 | 211 | 1,4 | 142,04 | H043 | 63C | 4 | 6600 |
| 9,3 | 213 | 0,9 | 143,33 | H033 | 63C | 4 | 5500 |
| 8,5 | 234 | 2,1 | 157,29 | H053 | 63C | 4 | 8000 |
| 8,2 | 242 | 1,2 | 163,05 | HA53 | 63C | 4 | 6000 |
| 8,2 | 242 | 2,0 | 163,05 | HA63 | 63C | 4 | 8000 |
| 8,0 | 246 | 1,2 | 165,38 | H043 | 63C | 4 | 6600 |
| 6,8 | 289 | 1,7 | 194,56 | H053 | 63C | 4 | 8000 |
| 6,6 | 297 | 1,0 | 200,27 | HA53 | 63C | 4 | 6000 |
| 6,6 | 297 | 1,6 | 200,27 | HA63 | 63C | 4 | 8000 |
| 6,5 | 305 | 1,0 | 205,07 | H043 | 63C | 4 | 6600 |
| 6,1 | 321 | 1,6 | 216,38 | H053 | 63C | 4 | 8000 |
| 5,6 | 350 | 0,9 | 235,41 | HA53 | 63C | 4 | 6000 |
| 5,6 | 350 | 1,4 | 235,41 | HA63 | 63C | 4 | 8000 |
| 5,0 | 397 | 1,3 | 267,65 | H053 | 63C | 4 | 8000 |
| 4,7 | 423 | 1,1 | 284,81 | HA63 | 63C | 4 | 8000 |
| 3,8 | 526 | 0,9 | 353,98 | HA63 | 63C | 4 | 8000 |

0,25 kW

| n2 [rpm] | M2 [Nm] | fs | i | Gear reducer | Size | Motor Pole | Fr2 [N] |
|-------------|------------|-----|------|-----------------|---------|---------------|------------|
| 513,3 | 4 | 4,0 | 5,45 | HA31 | 63B | 2 | 625 |
| 448,3 | 5 | 3,9 | 2,94 | HA31 | 63D | 4 | 654 |
| 444,4 | 5 | 3,4 | 6,30 | HA31 | 63B | 2 | 656 |
| 415,6 | 6 | 3,6 | 3,18 | HA31 | 63D/71A | 4 | 670 |
| 393,2 | 6 | 3,4 | 3,36 | HA31 | 63D/71A | 4 | 683 |
| 355,6 | 6 | 2,6 | 7,88 | HA31 | 63B | 2 | 706 |
| 355,6 | 6 | 3,0 | 7,88 | HA41 | 63B | 2 | 714 |
| 352,9 | 7 | 3,0 | 2,55 | HA31 | 71B | 6 | 708 |
| 341,4 | 7 | 3,1 | 3,87 | HA31 | 63D/71A | 4 | 716 |

0,25 kW

| n2 [rpm] | M2 [Nm] | fs | i | Gear reducer | Motor Size | Pole | Fr2 [N] |
|-------------|------------|-----|-------|-----------------|---------------|------|------------|
| 313,2 | 7 | 2,8 | 4,21 | HA31 | 63D/71A | 4 | 737 |
| 305,7 | 8 | 2,7 | 2,94 | HA31 | 71B | 6 | 743 |
| 305,7 | 8 | 3,4 | 2,94 | HA41 | 71B | 6 | 751 |
| 283,3 | 8 | 2,5 | 3,18 | HA31 | 71B | 6 | 762 |
| 277,9 | 8 | 2,6 | 4,75 | HA31 | 63D/71A | 4 | 767 |
| 277,9 | 8 | 3,6 | 4,75 | HA41 | 63D/71A | 4 | 775 |
| 268,1 | 9 | 2,4 | 3,36 | HA31 | 71B | 6 | 776 |
| 258,8 | 9 | 2,6 | 5,10 | HA31 | 63D/71A | 4 | 785 |
| 258,5 | 9 | 1,2 | 10,83 | HA31 | 63B | 2 | 785 |
| 258,5 | 9 | 1,7 | 10,83 | HA41 | 63B | 2 | 794 |
| 258,5 | 9 | 2,2 | 10,83 | HA51 | 63B | 2 | 2188 |
| 242,0 | 10 | 2,4 | 5,45 | HA31 | 63D/71A | 4 | 803 |
| 242,0 | 10 | 3,1 | 5,45 | HA41 | 63D/71A | 4 | 812 |
| 232,8 | 10 | 2,2 | 3,87 | HA31 | 71B | 6 | 813 |
| 213,6 | 11 | 2,0 | 4,21 | HA31 | 71B | 6 | 837 |
| 209,5 | 11 | 2,1 | 6,30 | HA31 | 63D/71A | 4 | 842 |
| 189,5 | 12 | 1,9 | 4,75 | HA31 | 71B | 6 | 871 |
| 189,5 | 12 | 2,6 | 4,75 | HA41 | 71B | 6 | 881 |
| 181,3 | 13 | 3,9 | 7,67 | HR041 | 71A | 4 | 1000 |
| 180,0 | 13 | 3,6 | 5,00 | HR041 | 71B | 6 | 1000 |
| 176,5 | 13 | 1,8 | 5,10 | HA31 | 71B | 6 | 892 |
| 167,6 | 14 | 1,6 | 7,88 | HA31 | 63D/71A | 4 | 907 |
| 167,6 | 14 | 1,8 | 7,88 | HA41 | 63D/71A | 4 | 918 |
| 167,6 | 14 | 2,9 | 7,88 | HA51 | 63D/71A | 4 | 2528 |
| 165,0 | 14 | 1,7 | 5,45 | HA31 | 71B | 6 | 912 |
| 165,0 | 14 | 2,2 | 5,45 | HA41 | 71B | 6 | 922 |
| 165,0 | 14 | 3,7 | 5,45 | HA51 | 71B | 6 | 2542 |
| 163,6 | 14 | 3,7 | 5,50 | HR041 | 71B | 6 | 1000 |
| 158,9 | 15 | 3,8 | 8,75 | HR041 | 71A | 4 | 1000 |
| 147,8 | 16 | 3,3 | 6,09 | HR041 | 71B | 6 | 1000 |
| 142,9 | 16 | 1,5 | 6,30 | HA31 | 71B | 6 | 957 |
| 121,8 | 19 | 1,1 | 10,83 | HA41 | 63D/71A | 4 | 1020 |
| 121,8 | 19 | 1,3 | 10,83 | HA51 | 63D/71A | 4 | 2812 |
| 117,4 | 20 | 2,6 | 7,67 | HR041 | 71B | 6 | 1000 |
| 114,3 | 20 | 1,1 | 7,88 | HA31 | 71B | 6 | 1031 |
| 114,3 | 20 | 1,3 | 7,88 | HA41 | 71B | 6 | 1042 |
| 114,3 | 20 | 2,1 | 7,88 | HA51 | 71B | 6 | 2873 |
| 114,1 | 19 | 3,3 | 24,55 | HA32 | 63B | 2 | 1443 |
| 111,0 | 21 | 3,8 | 8,11 | HA32 | 71B | 6 | 1457 |
| 102,9 | 23 | 2,5 | 8,75 | HR041 | 71B | 6 | 1000 |
| 99,6 | 23 | 3,5 | 13,25 | HA32 | 63D/71A | 4 | 1510 |
| 91,7 | 24 | 2,5 | 30,55 | HA32 | 63B | 2 | 1552 |

5.1 H/HA GEARED MOTORS (50Hz)

0,25 kW

| n2 [rpm] | M2 [Nm] | fs | i | Gear reducer | Motor Size | Pole | Fr2 [N] |
|-------------|------------|-----|-------|-----------------|---------------|------|------------|
| 83,1 | 28 | 0,9 | 10,83 | HA51 | 71B | 6 | 3000 |
| 82,3 | 28 | 3,4 | 10,94 | HA32 | 71B | 6 | 1609 |
| 80,1 | 29 | 2,8 | 16,49 | HA32 | 63D/71A | 4 | 1624 |
| 79,0 | 28 | 2,4 | 35,44 | HA32 | 63B | 2 | 1631 |
| 67,9 | 34 | 2,5 | 13,25 | HA32 | 71B | 6 | 1716 |
| 65,2 | 35 | 2,6 | 20,26 | HA32 | 63D/71A | 4 | 1740 |
| 63,5 | 35 | 1,9 | 44,10 | HA32 | 63B | 2 | 1755 |
| 63,5 | 35 | 3,0 | 44,10 | HA42 | 63B | 2 | 3694 |
| 57,4 | 39 | 1,6 | 48,75 | HA32 | 63B | 2 | 1814 |
| 57,4 | 39 | 2,2 | 48,75 | HA42 | 63B | 2 | 3819 |
| 54,6 | 42 | 2,0 | 16,49 | HA32 | 71B | 6 | 1845 |
| 54,6 | 40 | 1,9 | 51,32 | HA33 | 63B | 2 | 1846 |
| 54,6 | 42 | 3,5 | 16,49 | HA42 | 71B | 6 | 3885 |
| 54,6 | 40 | 2,8 | 51,32 | HA43 | 63B | 2 | 3885 |
| 53,8 | 43 | 2,0 | 24,55 | HA32 | 63D/71A | 4 | 1854 |
| 53,8 | 43 | 3,6 | 24,55 | HA42 | 63D/71A | 4 | 3904 |
| 52,2 | 41 | 3,6 | 53,59 | H033 | 63B | 2 | 5500 |
| 46,9 | 46 | 1,6 | 59,65 | HA33 | 63B | 2 | 1940 |
| 46,9 | 46 | 2,4 | 59,65 | HA43 | 63B | 2 | 4085 |
| 46,2 | 48 | 1,5 | 60,67 | HA32 | 63B | 2 | 1951 |
| 46,2 | 48 | 2,0 | 60,67 | HA42 | 63B | 2 | 4108 |
| 44,4 | 52 | 1,8 | 20,26 | HA32 | 71B | 6 | 1976 |
| 44,4 | 52 | 3,0 | 20,26 | HA42 | 71B | 6 | 4161 |
| 43,2 | 53 | 1,5 | 30,55 | HA32 | 63D/71A | 4 | 1995 |
| 43,2 | 53 | 2,6 | 30,55 | HA42 | 63D/71A | 4 | 4199 |
| 42,3 | 54 | 3,7 | 32,89 | H032 | 71A | 4 | 5500 |
| 41,9 | 52 | 2,9 | 66,78 | H033 | 63B | 2 | 5500 |
| 39,7 | 58 | 3,6 | 22,68 | H032 | 71B | 6 | 5500 |
| 38,7 | 56 | 1,3 | 72,27 | HA33 | 63B | 2 | 2000 |
| 38,7 | 56 | 2,0 | 72,27 | HA43 | 63B | 2 | 4300 |
| 37,8 | 61 | 3,4 | 23,83 | H032 | 71B | 6 | 5500 |
| 37,4 | 58 | 2,6 | 74,84 | H033 | 63B | 2 | 5500 |
| 37,4 | 58 | 3,9 | 74,88 | HA53 | 63B | 2 | 5508 |
| 37,2 | 62 | 1,5 | 35,44 | HA32 | 63D/71A | 4 | 2000 |
| 37,2 | 62 | 2,4 | 35,44 | HA42 | 63D/71A | 4 | 4300 |
| 36,7 | 63 | 3,2 | 37,92 | H032 | 71A | 4 | 5500 |
| 36,7 | 63 | 1,4 | 24,55 | HA32 | 71B | 6 | 2000 |
| 36,7 | 63 | 2,6 | 24,55 | HA42 | 71B | 6 | 4300 |
| 36,5 | 59 | 3,8 | 76,67 | H043 | 63B | 2 | 6600 |
| 34,1 | 68 | 3,1 | 26,39 | H032 | 71B | 6 | 5500 |
| 33,6 | 68 | 2,9 | 41,40 | H032 | 71A | 4 | 5500 |
| 32,2 | 67 | 3,3 | 87,05 | H043 | 63B | 2 | 6600 |

0,25 kW

| n2 [rpm] | M2 [Nm] | fs | i | Gear reducer | Motor Size | Pole | Fr2 [N] |
|-------------|------------|-----|--------|-----------------|---------------|------|------------|
| 31,8 | 72 | 3,9 | 43,75 | H042 | 71A | 4 | 6600 |
| 31,8 | 68 | 3,3 | 88,02 | HA53 | 63B | 2 | 5813 |
| 31,1 | 70 | 1,1 | 89,94 | HA33 | 63B | 2 | 2000 |
| 31,1 | 70 | 1,6 | 89,94 | HA43 | 63B | 2 | 4300 |
| 30,3 | 76 | 2,7 | 29,70 | H032 | 71B | 6 | 5500 |
| 29,9 | 77 | 1,2 | 44,10 | HA32 | 63D/71A | 4 | 2000 |
| 29,9 | 77 | 1,8 | 44,10 | HA42 | 63D/71A | 4 | 4300 |
| 29,6 | 78 | 3,8 | 30,45 | H042 | 71B | 6 | 6600 |
| 29,5 | 79 | 1,1 | 30,55 | HA32 | 71B | 6 | 2000 |
| 29,5 | 79 | 1,9 | 30,55 | HA42 | 71B | 6 | 4300 |
| 29,4 | 78 | 2,6 | 47,25 | H032 | 71A | 4 | 5500 |
| 29,2 | 78 | 3,6 | 47,53 | H042 | 71A | 4 | 6600 |
| 28,2 | 77 | 2,0 | 99,27 | H033 | 63B | 2 | 5500 |
| 27,4 | 85 | 2,5 | 32,89 | H032 | 71B | 6 | 5500 |
| 27,1 | 85 | 0,9 | 48,75 | HA32 | 63D/71A | 4 | 2000 |
| 27,1 | 85 | 1,4 | 48,75 | HA42 | 63D/71A | 4 | 4300 |
| 26,5 | 85 | 3,5 | 49,80 | HA53 | 63D/71A | 4 | 6000 |
| 26,4 | 88 | 3,4 | 34,10 | H042 | 71B | 6 | 6600 |
| 25,9 | 84 | 1,8 | 108,05 | H033 | 63B | 2 | 5500 |
| 25,7 | 87 | 1,1 | 51,32 | HA33 | 63D/71A | 4 | 2000 |
| 25,7 | 87 | 1,7 | 51,32 | HA43 | 63D/71A | 4 | 4300 |
| 25,6 | 89 | 3,1 | 54,25 | H042 | 71A | 4 | 6600 |
| 25,4 | 91 | 1,0 | 35,44 | HA32 | 71B | 6 | 2000 |
| 25,4 | 91 | 1,7 | 35,44 | HA42 | 71B | 6 | 4300 |
| 25,3 | 85 | 1,3 | 110,51 | HA43 | 63B | 2 | 4300 |
| 25,1 | 86 | 2,6 | 111,61 | HA53 | 63B | 2 | 6000 |
| 24,6 | 91 | 2,2 | 53,59 | H033 | 63D/71A | 4 | 5500 |
| 24,4 | 89 | 2,5 | 114,55 | H043 | 63B | 2 | 6600 |
| 23,8 | 97 | 3,0 | 37,76 | H042 | 71B | 6 | 6600 |
| 23,7 | 98 | 2,2 | 37,92 | H032 | 71B | 6 | 5500 |
| 22,6 | 96 | 1,6 | 123,71 | H033 | 63B | 2 | 5500 |
| 22,3 | 97 | 2,3 | 125,69 | H043 | 63B | 2 | 6600 |
| 22,1 | 101 | 1,0 | 59,65 | HA33 | 63D/71A | 4 | 2000 |
| 22,1 | 101 | 1,5 | 59,65 | HA43 | 63D/71A | 4 | 4300 |
| 21,9 | 102 | 2,9 | 60,25 | HA53 | 63D/71A | 4 | 6000 |
| 21,8 | 105 | 0,9 | 60,67 | HA32 | 63D/71A | 4 | 2000 |
| 21,8 | 105 | 1,2 | 60,67 | HA42 | 63D/71A | 4 | 4300 |
| 21,7 | 106 | 2,0 | 41,40 | H032 | 71B | 6 | 5500 |
| 21,3 | 105 | 2,9 | 61,83 | H043 | 63D/71A | 4 | 6600 |
| 20,9 | 104 | 1,1 | 133,88 | HA43 | 63B | 2 | 4300 |
| 20,8 | 104 | 3,6 | 134,76 | H053 | 63B | 2 | 8000 |
| 20,6 | 113 | 2,6 | 43,75 | H042 | 71B | 6 | 6600 |

0,25 kW

| n2 [rpm] | M2 [Nm] | fs | i | Gear reducer | Motor Size | Pole | Fr2 [N] |
|-------------|------------|-----|--------|-----------------|---------------|------|------------|
| 20,4 | 113 | 0,8 | 44,10 | HA32 | 71B | 6 | 2000 |
| 20,4 | 113 | 1,3 | 44,10 | HA42 | 71B | 6 | 4300 |
| 20,2 | 107 | 2,1 | 138,71 | HA53 | 63B | 2 | 6000 |
| 20,2 | 107 | 3,4 | 138,71 | HA63 | 63B | 2 | 8000 |
| 19,8 | 114 | 1,8 | 66,78 | H033 | 63D/71A | 4 | 5500 |
| 19,7 | 110 | 2,0 | 142,04 | H043 | 63B | 2 | 6600 |
| 19,5 | 111 | 1,4 | 143,33 | H033 | 63B | 2 | 5500 |
| 19,0 | 122 | 1,7 | 47,25 | H032 | 71B | 6 | 5500 |
| 18,9 | 122 | 2,4 | 47,53 | H042 | 71B | 6 | 6600 |
| 18,5 | 125 | 1,0 | 48,75 | HA42 | 71B | 6 | 4300 |
| 18,3 | 123 | 0,8 | 72,27 | HA33 | 63D/71A | 4 | 2000 |
| 18,3 | 123 | 1,2 | 72,27 | HA43 | 63D/71A | 4 | 4300 |
| 18,1 | 125 | 2,5 | 49,80 | HA53 | 71B | 6 | 6000 |
| 17,8 | 122 | 3,1 | 157,29 | H053 | 63B | 2 | 8000 |
| 17,6 | 127 | 1,6 | 74,84 | H033 | 63D/71A | 4 | 5500 |
| 17,6 | 127 | 2,4 | 74,88 | HA53 | 63D/71A | 4 | 6000 |
| 17,6 | 127 | 3,8 | 74,88 | HA63 | 63D/71A | 4 | 8000 |
| 17,5 | 129 | 0,8 | 51,32 | HA33 | 71B | 6 | 2000 |
| 17,5 | 129 | 1,2 | 51,32 | HA43 | 71B | 6 | 4300 |
| 17,2 | 130 | 2,3 | 76,67 | H043 | 63D/71A | 4 | 6600 |
| 17,2 | 126 | 1,8 | 163,05 | HA53 | 63B | 2 | 6000 |
| 17,2 | 126 | 2,9 | 163,05 | HA63 | 63B | 2 | 8000 |
| 16,9 | 128 | 1,8 | 165,38 | H043 | 63B | 2 | 6600 |
| 16,8 | 135 | 1,6 | 53,59 | H033 | 71B | 6 | 5500 |
| 16,6 | 140 | 2,1 | 54,25 | H042 | 71B | 6 | 6600 |
| 16,0 | 144 | 3,6 | 56,11 | H052 | 71B | 6 | 8000 |
| 15,7 | 138 | 1,1 | 178,61 | H033 | 63B | 2 | 5500 |
| 15,3 | 148 | 3,5 | 58,81 | H053 | 71B | 6 | 8000 |
| 15,2 | 148 | 2,0 | 87,05 | H043 | 63D/71A | 4 | 6600 |
| 15,1 | 150 | 1,0 | 59,65 | HA43 | 71B | 6 | 4300 |
| 15,0 | 150 | 2,0 | 88,02 | HA53 | 63D/71A | 4 | 6000 |
| 15,0 | 150 | 3,2 | 88,02 | HA63 | 63D/71A | 4 | 8000 |
| 14,9 | 152 | 2,1 | 60,25 | HA53 | 71B | 6 | 6000 |
| 14,9 | 152 | 3,3 | 60,25 | HA63 | 71B | 6 | 8000 |
| 14,8 | 156 | 0,9 | 60,67 | HA42 | 71B | 6 | 4300 |
| 14,7 | 153 | 1,0 | 89,94 | HA43 | 63D/71A | 4 | 4300 |
| 14,6 | 156 | 2,0 | 61,83 | H043 | 71B | 6 | 6600 |
| 14,6 | 154 | 3,2 | 90,51 | H053 | 63D/71A | 4 | 8000 |
| 14,4 | 150 | 2,5 | 194,56 | H053 | 63B | 2 | 8000 |
| 14,0 | 155 | 1,5 | 200,27 | HA53 | 63B | 2 | 6000 |
| 14,0 | 155 | 2,3 | 200,27 | HA63 | 63B | 2 | 8000 |
| 13,7 | 159 | 1,4 | 205,07 | H043 | 63B | 2 | 6600 |

0,25 kW

| n2 [rpm] | M2 [Nm] | fs | i | Gear reducer | Motor Size | Pole | Fr2 [N] |
|-------------|------------|-----|--------|-----------------|---------------|------|------------|
| 13,5 | 168 | 1,2 | 66,78 | H033 | 71B | 6 | 5500 |
| 13,3 | 169 | 1,2 | 99,27 | H033 | 63D/71A | 4 | 5500 |
| 12,9 | 167 | 2,2 | 216,38 | H053 | 63B | 2 | 8000 |
| 12,6 | 178 | 0,8 | 110,51 | HA43 | 71A | 4 | 4300 |
| 12,5 | 182 | 0,9 | 72,27 | HA43 | 71B | 6 | 4300 |
| 12,4 | 183 | 2,9 | 72,75 | H053 | 71B | 6 | 8000 |
| 12,3 | 176 | 1,3 | 227,50 | H043 | 63B | 2 | 6600 |
| 12,2 | 184 | 1,1 | 108,05 | H033 | 63D/71A | 4 | 5500 |
| 12,1 | 185 | 2,7 | 108,95 | H053 | 63D/71A | 4 | 8000 |
| 12,0 | 188 | 1,1 | 74,84 | H033 | 71B | 6 | 5500 |
| 12,0 | 189 | 1,7 | 74,88 | HA53 | 71B | 6 | 6000 |
| 12,0 | 189 | 2,7 | 74,88 | HA63 | 71B | 6 | 8000 |
| 11,9 | 182 | 1,2 | 235,41 | HA53 | 63B | 2 | 6000 |
| 11,9 | 182 | 2,0 | 235,41 | HA63 | 63B | 2 | 8000 |
| 11,8 | 190 | 1,6 | 111,61 | HA53 | 63D/71A | 4 | 6000 |
| 11,8 | 190 | 2,5 | 111,61 | HA63 | 63D/71A | 4 | 8000 |
| 11,7 | 193 | 1,6 | 76,67 | H043 | 71B | 6 | 6600 |
| 11,5 | 195 | 1,5 | 114,55 | H043 | 63D/71A | 4 | 6600 |
| 10,7 | 210 | 1,0 | 123,71 | H033 | 63D/71A | 4 | 5500 |
| 10,5 | 214 | 1,4 | 125,69 | H043 | 63D/71A | 4 | 6600 |
| 10,5 | 207 | 1,8 | 267,65 | H053 | 63B | 2 | 8000 |
| 10,3 | 219 | 1,4 | 87,05 | H043 | 71B | 6 | 6600 |
| 10,3 | 219 | 3,9 | 135,40 | H063 | 71A | 4 | 12000 |
| 10,2 | 222 | 1,4 | 88,02 | HA53 | 71B | 6 | 6000 |
| 10,2 | 222 | 2,3 | 88,02 | HA63 | 71B | 6 | 8000 |
| 9,9 | 218 | 1,0 | 282,10 | H043 | 63B | 2 | 6600 |
| 9,9 | 228 | 2,3 | 90,51 | H053 | 71B | 6 | 8000 |
| 9,8 | 229 | 2,2 | 134,76 | H053 | 63D/71A | 4 | 8000 |
| 9,8 | 220 | 1,0 | 284,81 | HA53 | 63B | 2 | 6000 |
| 9,8 | 220 | 1,6 | 284,81 | HA63 | 63B | 2 | 8000 |
| 9,5 | 239 | 3,7 | 94,76 | H063 | 71B | 6 | 12000 |
| 9,5 | 236 | 1,3 | 138,71 | HA53 | 63D/71A | 4 | 6000 |
| 9,5 | 236 | 2,0 | 138,71 | HA63 | 63D/71A | 4 | 8000 |
| 9,3 | 241 | 1,2 | 142,04 | H043 | 63D/71A | 4 | 6600 |
| 9,3 | 241 | 3,5 | 149,51 | H063 | 71A | 4 | 12000 |
| 8,4 | 267 | 1,9 | 157,29 | H053 | 63D/71A | 4 | 8000 |
| 8,3 | 274 | 1,9 | 108,95 | H053 | 71B | 6 | 8000 |
| 8,1 | 276 | 3,1 | 170,67 | H063 | 71A | 4 | 12000 |
| 8,1 | 281 | 1,1 | 111,61 | HA53 | 71B | 6 | 6000 |
| 8,1 | 277 | 1,1 | 163,05 | HA53 | 63D/71A | 4 | 6000 |
| 8,1 | 281 | 1,8 | 111,61 | HA63 | 71B | 6 | 8000 |
| 8,1 | 277 | 1,7 | 163,05 | HA63 | 63D/71A | 4 | 8000 |

0,25 kW

| n2 [rpm] | M2 [Nm] | fs | i | Gear reducer | Size | Motor Pole | Fr2 [N] |
|-------------|------------|-----|--------|-----------------|---------|---------------|------------|
| 8,0 | 281 | 1,1 | 165,38 | H043 | 63D/71A | 4 | 6600 |
| 7,9 | 288 | 1,1 | 114,55 | H043 | 71B | 6 | 6600 |
| 7,9 | 274 | 1,3 | 353,98 | HA63 | 63B | 2 | 8000 |
| 7,6 | 297 | 3,0 | 118,00 | H063 | 71B | 6 | 12000 |
| 7,5 | 301 | 2,8 | 186,18 | H063 | 71A | 4 | 12000 |
| 7,2 | 317 | 1,0 | 125,69 | H043 | 71B | 6 | 6600 |
| 6,8 | 331 | 0,9 | 205,07 | H043 | 71A | 4 | 6600 |
| 6,8 | 331 | 1,5 | 194,56 | H053 | 63D/71A | 4 | 8000 |
| 6,7 | 339 | 1,5 | 134,76 | H053 | 71B | 6 | 8000 |
| 6,6 | 341 | 2,6 | 135,40 | H063 | 71B | 6 | 12000 |
| 6,6 | 340 | 0,9 | 200,27 | HA53 | 63D/71A | 4 | 6000 |
| 6,6 | 340 | 1,4 | 200,27 | HA63 | 63D/71A | 4 | 8000 |
| 6,5 | 347 | 2,4 | 215,21 | H063 | 71A | 4 | 12000 |
| 6,5 | 349 | 0,9 | 138,71 | HA53 | 71B | 6 | 6000 |
| 6,5 | 349 | 1,4 | 138,71 | HA63 | 71B | 6 | 8000 |
| 6,1 | 368 | 1,4 | 216,38 | H053 | 63D/71A | 4 | 8000 |
| 6,0 | 377 | 2,4 | 149,51 | H063 | 71B | 6 | 12000 |
| 5,9 | 379 | 2,2 | 234,67 | H063 | 71A | 4 | 12000 |
| 5,7 | 396 | 1,3 | 157,29 | H053 | 71B | 6 | 8000 |
| 5,6 | 400 | 1,2 | 235,41 | HA63 | 63D/71A | 4 | 8000 |
| 5,5 | 411 | 0,8 | 163,05 | HA53 | 71B | 6 | 6000 |
| 5,5 | 411 | 1,2 | 163,05 | HA63 | 71B | 6 | 8000 |
| 5,3 | 430 | 2,1 | 170,67 | H063 | 71B | 6 | 12000 |
| 5,2 | 433 | 2,0 | 268,00 | H063 | 71A | 4 | 12000 |
| 4,9 | 455 | 1,1 | 267,65 | H053 | 63D/71A | 4 | 8000 |
| 4,8 | 469 | 1,9 | 186,18 | H063 | 71B | 6 | 12000 |
| 4,6 | 490 | 1,1 | 194,56 | H053 | 71B | 6 | 8000 |
| 4,6 | 484 | 1,0 | 284,81 | HA63 | 63D/71A | 4 | 8000 |
| 4,5 | 504 | 1,0 | 200,27 | HA63 | 71B | 6 | 8000 |
| 4,2 | 545 | 1,0 | 216,38 | H053 | 71B | 6 | 8000 |
| 4,2 | 542 | 1,6 | 215,21 | H063 | 71B | 6 | 12000 |
| 3,9 | 572 | 0,8 | 353,98 | HA63 | 71A | 4 | 8000 |
| 3,8 | 591 | 1,5 | 234,67 | H063 | 71B | 6 | 12000 |
| 3,8 | 593 | 0,9 | 235,41 | HA63 | 71B | 6 | 8000 |
| 3,4 | 675 | 1,3 | 268,00 | H063 | 71B | 6 | 12000 |

0,37 kW

| n2 [rpm] | M2 [Nm] | fs | i | Gear reducer | Size | Motor Pole | Fr2 [N] |
|-------------|------------|-----|------|-----------------|---------|---------------|------------|
| 878,3 | 4 | 4,0 | 3,18 | HA31 | 63C | 2 | 522 |
| 831,1 | 4 | 3,8 | 3,36 | HA31 | 63C/71A | 2 | 532 |
| 721,6 | 5 | 3,4 | 3,87 | HA31 | 63C/71A | 2 | 558 |

5.1 H/HA GEARED MOTORS (50Hz)

0,37 kW

| n2 [rpm] | M2 [Nm] | fs | i | Gear reducer | Motor Size | Pole | Fr2 [N] |
|-------------|------------|-----|-------|-----------------|---------------|------|------------|
| 662,0 | 5 | 3,2 | 4,21 | HA31 | 63C/71A | 2 | 574 |
| 587,4 | 6 | 2,9 | 4,75 | HA31 | 63C/71A | 2 | 597 |
| 587,4 | 6 | 4,0 | 4,75 | HA41 | 63C | 2 | 604 |
| 547,1 | 6 | 2,9 | 5,10 | HA31 | 63C/71A | 2 | 612 |
| 541,2 | 6 | 3,0 | 2,55 | HA31 | 71B | 4 | 614 |
| 511,5 | 6 | 2,7 | 5,45 | HA31 | 63C/71A | 2 | 626 |
| 511,5 | 6 | 3,5 | 5,45 | HA41 | 63C/71A | 2 | 633 |
| 468,7 | 7 | 2,7 | 2,94 | HA31 | 71B | 4 | 644 |
| 468,7 | 7 | 3,4 | 2,94 | HA41 | 71B | 4 | 651 |
| 442,9 | 7 | 2,3 | 6,30 | HA31 | 63C/71A | 2 | 656 |
| 440,0 | 8 | 3,7 | 2,00 | HR041 | 71C/80A | 6 | 948 |
| 434,4 | 8 | 2,5 | 3,18 | HA31 | 71B | 4 | 661 |
| 411,1 | 8 | 2,4 | 3,36 | HA31 | 71B | 4 | 673 |
| 356,9 | 10 | 2,2 | 3,87 | HA31 | 71B | 4 | 705 |
| 354,3 | 9 | 1,8 | 7,88 | HA31 | 63C/71A | 2 | 707 |
| 354,3 | 9 | 2,0 | 7,88 | HA41 | 63C/71A | 2 | 715 |
| 354,3 | 9 | 3,2 | 7,88 | HA51 | 63C/71A | 2 | 1970 |
| 345,7 | 10 | 3,6 | 2,55 | HR041 | 71C/80A | 6 | 1000 |
| 345,1 | 10 | 2,0 | 2,55 | HA31 | 71C/80A | 6 | 713 |
| 327,5 | 10 | 2,0 | 4,21 | HA31 | 71B | 4 | 726 |
| 324,2 | 11 | 3,3 | 2,71 | HR041 | 71C/80A | 6 | 1000 |
| 298,9 | 12 | 1,8 | 2,94 | HA31 | 71C/80A | 6 | 748 |
| 298,9 | 12 | 2,3 | 2,94 | HA41 | 71C/80A | 6 | 757 |
| 298,9 | 12 | 3,6 | 2,94 | HA51 | 71C/80A | 6 | 2085 |
| 290,5 | 12 | 1,9 | 4,75 | HA31 | 71B | 4 | 755 |
| 290,5 | 12 | 2,5 | 4,75 | HA41 | 71B | 4 | 764 |
| 283,4 | 12 | 3,8 | 3,11 | HR041 | 71C | 6 | 1000 |
| 277,0 | 12 | 1,7 | 3,18 | HA31 | 71C/80A | 6 | 767 |
| 276,0 | 12 | 3,6 | 5,00 | HR041 | 71B | 4 | 1000 |
| 270,6 | 13 | 1,8 | 5,10 | HA31 | 71B | 4 | 773 |
| 262,1 | 13 | 1,6 | 3,36 | HA31 | 71C/80A | 6 | 782 |
| 257,5 | 13 | 1,2 | 10,83 | HA41 | 63C/71A | 2 | 795 |
| 257,5 | 13 | 1,5 | 10,83 | HA51 | 63C/71A | 2 | 2191 |
| 253,0 | 14 | 1,7 | 5,45 | HA31 | 71B | 4 | 791 |
| 253,0 | 14 | 2,2 | 5,45 | HA41 | 71B | 4 | 800 |
| 253,0 | 14 | 3,7 | 5,45 | HA51 | 71B | 4 | 2204 |
| 250,9 | 14 | 3,7 | 5,50 | HR041 | 71B | 4 | 1000 |
| 245,2 | 14 | 3,3 | 3,59 | HR041 | 71C/80A | 6 | 1000 |
| 227,6 | 15 | 1,4 | 3,87 | HA31 | 71C/80A | 6 | 819 |
| 226,6 | 15 | 3,3 | 6,09 | HR041 | 71B | 4 | 1000 |
| 219,0 | 16 | 1,5 | 6,30 | HA31 | 71B | 4 | 830 |
| 210,6 | 16 | 3,9 | 13,25 | HA32 | 63C/71A | 2 | 1177 |

0,37 kW

| n ₂ [rpm] | M ₂ [Nm] | f _s | i | Gear reducer | Motor | | Fr ₂ [N] |
|-------------------------|------------------------|----------------|-------|-----------------|---------|------|------------------------|
| | | | | | Size | Pole | |
| 209,5 | 17 | 2,9 | 4,20 | HR041 | 71C/80A | 6 | 1000 |
| 208,8 | 17 | 1,3 | 4,21 | HA31 | 71C/80A | 6 | 843 |
| 185,3 | 19 | 1,2 | 4,75 | HA31 | 71C/80A | 6 | 878 |
| 185,3 | 19 | 1,7 | 4,75 | HA41 | 71C/80A | 6 | 887 |
| 185,3 | 19 | 2,8 | 4,75 | HA51 | 71C/80A | 6 | 2445 |
| 180,0 | 19 | 2,6 | 7,67 | HR041 | 71B | 4 | 1000 |
| 176,0 | 20 | 2,4 | 5,00 | HR041 | 71C/80A | 6 | 1000 |
| 175,2 | 20 | 1,1 | 7,88 | HA31 | 71B | 4 | 894 |
| 175,2 | 20 | 1,3 | 7,88 | HA41 | 71B | 4 | 904 |
| 175,2 | 20 | 2,0 | 7,88 | HA51 | 71B | 4 | 2491 |
| 172,5 | 20 | 1,2 | 5,10 | HA31 | 71C | 6 | 899 |
| 170,2 | 20 | 3,8 | 8,11 | HA32 | 71B | 4 | 1263 |
| 169,2 | 19 | 3,1 | 16,49 | HA32 | 63C/71A | 2 | 1266 |
| 161,3 | 21 | 1,1 | 5,45 | HA31 | 71C | 6 | 919 |
| 161,3 | 21 | 1,5 | 5,45 | HA41 | 71C/80A | 6 | 929 |
| 161,3 | 21 | 2,4 | 5,45 | HA51 | 71C/80A | 6 | 2561 |
| 160,0 | 22 | 2,4 | 5,50 | HR041 | 71C/80A | 6 | 1000 |
| 157,7 | 22 | 2,5 | 8,75 | HR041 | 71B | 4 | 1000 |
| 144,5 | 24 | 2,2 | 6,09 | HR041 | 71C/80A | 6 | 1000 |
| 139,7 | 25 | 1,0 | 6,30 | HA31 | 71C | 6 | 964 |
| 137,7 | 24 | 2,8 | 20,26 | HA32 | 63C/71A | 2 | 1355 |
| 135,0 | 25 | 3,3 | 6,52 | HA32 | 71C/80A | 6 | 1364 |
| 127,4 | 27 | 0,9 | 10,83 | HA51 | 71B | 4 | 2771 |
| 126,2 | 27 | 3,3 | 10,94 | HA32 | 71B | 4 | 1396 |
| 121,3 | 29 | 3,3 | 7,75 | HA61 | 80A | 6 | 4215 |
| 120,0 | 29 | 3,6 | 7,33 | HR051 | 71C/80A | 6 | 2500 |
| 114,8 | 30 | 1,7 | 7,67 | HR041 | 71C/80A | 6 | 1000 |
| 113,7 | 29 | 2,2 | 24,55 | HA32 | 63C/71A | 2 | 1445 |
| 111,7 | 31 | 0,8 | 7,88 | HA41 | 71C | 6 | 1050 |
| 111,7 | 31 | 1,4 | 7,88 | HA51 | 71C | 6 | 2894 |
| 108,5 | 32 | 2,5 | 8,11 | HA32 | 71C/80A | 6 | 1468 |
| 105,1 | 33 | 3,2 | 8,38 | HR051 | 71C/80A | 6 | 2500 |
| 104,2 | 33 | 2,5 | 13,25 | HA32 | 71B | 4 | 1488 |
| 100,6 | 34 | 1,7 | 8,75 | HR041 | 71C/80A | 6 | 1000 |
| 99,2 | 35 | 4,0 | 8,87 | H032 | 71C | 6 | 5404 |
| 91,3 | 36 | 1,7 | 30,55 | HA32 | 63C/71A | 2 | 1554 |
| 91,3 | 36 | 2,9 | 30,55 | HA42 | 63C/71A | 2 | 3272 |
| 88,1 | 39 | 1,9 | 10,67 | HA61 | 80A | 6 | 4500 |
| 86,8 | 39 | 3,7 | 10,14 | H032 | 71C/80A | 6 | 5500 |
| 85,7 | 38 | 3,9 | 32,89 | H032 | 71A | 2 | 5500 |
| 83,7 | 41 | 2,0 | 16,49 | HA32 | 71B | 4 | 1600 |
| 83,7 | 41 | 3,5 | 16,49 | HA42 | 71B | 4 | 3369 |

5.1 H/HA GEARED MOTORS (50Hz)

0,37 kW

| n2 [rpm] | M2 [Nm] | fs | i | Gear reducer | Motor Size | Pole | Fr2 [N] |
|-------------|------------|-----|-------|-----------------|---------------|------|------------|
| 80,5 | 43 | 2,2 | 10,94 | HA32 | 71C/80A | 6 | 1621 |
| 80,5 | 43 | 3,7 | 10,94 | HA42 | 71C/80A | 6 | 3413 |
| 78,7 | 42 | 1,6 | 35,44 | HA32 | 63C/71A | 2 | 1633 |
| 78,7 | 42 | 2,7 | 35,44 | HA42 | 63C/71A | 2 | 3438 |
| 74,8 | 46 | 3,3 | 11,76 | H032 | 71C/80A | 6 | 5500 |
| 74,4 | 44 | 3,4 | 37,92 | H032 | 71A | 2 | 5500 |
| 68,1 | 48 | 3,1 | 41,40 | H032 | 71A | 2 | 5500 |
| 68,1 | 50 | 1,8 | 20,26 | HA32 | 71B | 4 | 1714 |
| 68,1 | 50 | 3,0 | 20,26 | HA42 | 71B | 4 | 3608 |
| 66,4 | 52 | 1,6 | 13,25 | HA32 | 71C/80A | 6 | 1728 |
| 66,4 | 52 | 2,8 | 13,25 | HA42 | 71C/80A | 6 | 3639 |
| 64,1 | 53 | 3,3 | 13,72 | H032 | 71C/80A | 6 | 5500 |
| 63,3 | 52 | 1,3 | 44,10 | HA32 | 63C/71A | 2 | 1757 |
| 63,3 | 52 | 2,0 | 44,10 | HA42 | 63C/71A | 2 | 3698 |
| 60,8 | 56 | 3,6 | 22,68 | H032 | 71B | 4 | 5500 |
| 60,0 | 57 | 3,1 | 14,66 | H032 | 71C/80A | 6 | 5500 |
| 59,7 | 55 | 2,7 | 47,25 | H032 | 71A | 2 | 5500 |
| 59,3 | 55 | 3,8 | 47,53 | H042 | 71A | 2 | 6600 |
| 57,9 | 59 | 3,4 | 23,83 | H032 | 71B | 4 | 5500 |
| 57,2 | 57 | 1,0 | 48,75 | HA32 | 63C/71A | 2 | 1816 |
| 57,2 | 57 | 1,5 | 48,75 | HA42 | 63C/71A | 2 | 3824 |
| 56,2 | 60 | 1,4 | 24,55 | HA32 | 71B | 4 | 1827 |
| 56,2 | 60 | 2,6 | 24,55 | HA42 | 71B | 4 | 3847 |
| 56,0 | 57 | 3,9 | 49,80 | HA53 | 63C/71A | 2 | 4814 |
| 54,4 | 59 | 1,3 | 51,32 | HA33 | 63C/71A | 2 | 1848 |
| 54,4 | 59 | 1,9 | 51,32 | HA43 | 63C/71A | 2 | 3890 |
| 53,4 | 64 | 1,3 | 16,49 | HA32 | 71C/80A | 6 | 1859 |
| 53,4 | 64 | 2,3 | 16,49 | HA42 | 71C/80A | 6 | 3914 |
| 52,5 | 65 | 3,1 | 16,77 | H032 | 71C/80A | 6 | 5500 |
| 52,3 | 65 | 3,1 | 26,39 | H032 | 71B | 4 | 5500 |
| 52,1 | 62 | 2,4 | 53,59 | H033 | 63C/71A | 2 | 5500 |
| 52,0 | 63 | 3,3 | 54,25 | H042 | 71A | 2 | 6600 |
| 48,4 | 71 | 3,0 | 18,20 | H032 | 71C/80A | 6 | 5500 |
| 46,8 | 69 | 1,1 | 59,65 | HA33 | 63C/71A | 2 | 1943 |
| 46,8 | 69 | 1,6 | 59,65 | HA43 | 63C/71A | 2 | 4090 |
| 46,5 | 73 | 2,7 | 29,70 | H032 | 71B | 4 | 5500 |
| 46,3 | 74 | 3,5 | 19,00 | H042 | 71C/80A | 6 | 6600 |
| 46,3 | 69 | 3,3 | 60,25 | HA53 | 63C/71A | 2 | 5129 |
| 46,0 | 71 | 1,0 | 60,67 | HA32 | 63C/71A | 2 | 1954 |
| 46,0 | 71 | 1,4 | 60,67 | HA42 | 63C/71A | 2 | 4113 |
| 45,3 | 75 | 3,7 | 30,45 | H042 | 71B | 4 | 6600 |
| 45,2 | 75 | 1,1 | 30,55 | HA32 | 71B | 4 | 1965 |

0,37 kW

| n2 [rpm] | M2 [Nm] | fs | i | Gear reducer | Motor Size | Pole | Fr2 [N] |
|-------------|------------|-----|-------|-----------------|---------------|------|------------|
| 45,2 | 75 | 1,9 | 30,55 | HA42 | 71B | 4 | 4138 |
| 45,1 | 71 | 3,2 | 61,83 | H043 | 63C/71A | 2 | 6600 |
| 44,2 | 77 | 2,7 | 19,90 | H032 | 71C/80A | 6 | 5500 |
| 43,4 | 79 | 1,2 | 20,26 | HA32 | 71C/80A | 6 | 1991 |
| 43,4 | 79 | 2,0 | 20,26 | HA42 | 71C/80A | 6 | 4192 |
| 42,0 | 81 | 2,5 | 32,89 | H032 | 71B | 4 | 5500 |
| 41,9 | 82 | 3,2 | 21,00 | H042 | 71C/80A | 6 | 6600 |
| 41,8 | 77 | 2,0 | 66,78 | H033 | 63C/71A | 2 | 5500 |
| 40,5 | 84 | 3,3 | 34,10 | H042 | 71B | 4 | 6600 |
| 38,9 | 87 | 1,0 | 35,44 | HA32 | 71B | 4 | 2000 |
| 38,9 | 87 | 1,7 | 35,44 | HA42 | 71B | 4 | 4300 |
| 38,8 | 88 | 2,4 | 22,68 | H032 | 71C/80A | 6 | 5500 |
| 38,6 | 83 | 1,4 | 72,27 | HA43 | 63C/71A | 2 | 4300 |
| 38,0 | 90 | 3,0 | 23,15 | H042 | 71C/80A | 6 | 6600 |
| 37,3 | 86 | 1,7 | 74,84 | H033 | 63C/71A | 2 | 5500 |
| 37,3 | 86 | 2,6 | 74,88 | HA53 | 63C/71A | 2 | 5515 |
| 37,0 | 93 | 3,2 | 25,43 | HA52 | 80A | 6 | 5530 |
| 36,9 | 93 | 2,3 | 23,83 | H032 | 71C/80A | 6 | 5500 |
| 36,5 | 93 | 3,0 | 37,76 | H042 | 71B | 4 | 6600 |
| 36,4 | 93 | 2,1 | 37,92 | H032 | 71B | 4 | 5500 |
| 36,4 | 88 | 2,6 | 76,67 | H043 | 63C/71A | 2 | 6600 |
| 35,9 | 96 | 0,9 | 24,55 | HA32 | 71C/80A | 6 | 2000 |
| 35,9 | 96 | 1,7 | 24,55 | HA42 | 71C/80A | 6 | 4300 |
| 33,8 | 101 | 2,7 | 26,04 | H042 | 71C/80A | 6 | 6600 |
| 33,3 | 103 | 2,0 | 26,39 | H032 | 71C/80A | 6 | 5500 |
| 33,3 | 102 | 2,0 | 41,40 | H032 | 71B | 4 | 5500 |
| 32,0 | 107 | 2,7 | 27,50 | H042 | 71C/80A | 6 | 6600 |
| 32,0 | 100 | 2,2 | 87,05 | H043 | 63C/71A | 2 | 6600 |
| 31,7 | 101 | 2,2 | 88,02 | HA53 | 63C/71A | 2 | 5820 |
| 31,7 | 101 | 3,6 | 88,02 | HA63 | 63C/71A | 2 | 8000 |
| 31,5 | 108 | 2,6 | 43,75 | H042 | 71B | 4 | 6600 |
| 31,4 | 109 | 2,9 | 29,89 | HA52 | 80A | 6 | 5836 |
| 31,3 | 108 | 0,8 | 44,10 | HA32 | 71B | 4 | 2000 |
| 31,3 | 108 | 1,3 | 44,10 | HA42 | 71B | 4 | 4300 |
| 31,0 | 103 | 1,1 | 89,94 | HA43 | 63C/71A | 2 | 4300 |
| 30,8 | 104 | 3,6 | 90,51 | H053 | 63C/71A | 2 | 8000 |
| 29,6 | 116 | 1,8 | 29,70 | H032 | 71C/80A | 6 | 5500 |
| 29,2 | 116 | 1,7 | 47,25 | H032 | 71B | 4 | 5500 |
| 29,0 | 117 | 2,4 | 47,53 | H042 | 71B | 4 | 6600 |
| 28,9 | 119 | 2,5 | 30,45 | H042 | 71C/80A | 6 | 6600 |
| 28,8 | 119 | 1,2 | 30,55 | HA42 | 71C/80A | 6 | 4300 |
| 28,3 | 120 | 1,0 | 48,75 | HA42 | 71B | 4 | 4300 |

0,37 kW

| n2 [rpm] | M2 [Nm] | fs | i | Gear reducer | Motor Size | Pole | Fr2 [N] |
|-------------|------------|-----|--------|-----------------|---------------|------|------------|
| 28,1 | 114 | 1,3 | 99,27 | H033 | 63C/71A | 2 | 5500 |
| 27,7 | 120 | 2,5 | 49,80 | HA53 | 71B | 4 | 6000 |
| 26,9 | 124 | 0,8 | 51,32 | HA33 | 71B | 4 | 2000 |
| 26,9 | 124 | 1,2 | 51,32 | HA43 | 71B | 4 | 4300 |
| 26,8 | 128 | 1,6 | 32,89 | H032 | 71C/80A | 6 | 5500 |
| 26,0 | 132 | 2,4 | 36,17 | HA52 | 80A | 6 | 6000 |
| 26,0 | 132 | 3,7 | 36,17 | HA62 | 80A | 6 | 8000 |
| 25,8 | 129 | 1,6 | 53,59 | H033 | 71B | 4 | 5500 |
| 25,8 | 124 | 1,2 | 108,05 | H033 | 63C/71A | 2 | 5500 |
| 25,8 | 133 | 2,2 | 34,10 | H042 | 71C/80A | 6 | 6600 |
| 25,6 | 125 | 3,0 | 108,95 | H053 | 63C/71A | 2 | 8000 |
| 25,4 | 133 | 2,1 | 54,25 | H042 | 71B | 4 | 6600 |
| 25,0 | 128 | 1,8 | 111,61 | HA53 | 63C/71A | 2 | 6000 |
| 25,0 | 128 | 2,8 | 111,61 | HA63 | 63C/71A | 2 | 8000 |
| 24,8 | 138 | 1,1 | 35,44 | HA42 | 71C | 6 | 4300 |
| 24,6 | 138 | 3,6 | 56,11 | H052 | 71B | 4 | 8000 |
| 24,4 | 132 | 1,7 | 114,55 | H043 | 63C/71A | 2 | 6600 |
| 23,5 | 142 | 3,5 | 58,81 | H053 | 71B | 4 | 8000 |
| 23,3 | 147 | 2,0 | 37,76 | H042 | 71C/80A | 6 | 6600 |
| 23,2 | 148 | 1,4 | 37,92 | H032 | 71C/80A | 6 | 5500 |
| 23,1 | 144 | 1,0 | 59,65 | HA43 | 71B | 4 | 4300 |
| 22,9 | 145 | 2,1 | 60,25 | HA53 | 71B | 4 | 6000 |
| 22,9 | 145 | 3,3 | 60,25 | HA63 | 71B | 4 | 8000 |
| 22,7 | 149 | 0,9 | 60,67 | HA42 | 71B | 4 | 4300 |
| 22,6 | 142 | 1,1 | 123,71 | H033 | 63C/71A | 2 | 5500 |
| 22,6 | 152 | 3,4 | 38,98 | H052 | 71C/80A | 6 | 8000 |
| 22,3 | 149 | 2,0 | 61,83 | H043 | 71B | 4 | 6600 |
| 22,2 | 144 | 1,6 | 125,69 | H043 | 63C/71A | 2 | 6600 |
| 21,3 | 161 | 1,3 | 41,40 | H032 | 71C/80A | 6 | 5500 |
| 20,9 | 164 | 1,8 | 44,95 | HA52 | 80A | 6 | 6000 |
| 20,9 | 164 | 2,8 | 44,95 | HA62 | 80A | 6 | 8000 |
| 20,7 | 161 | 1,2 | 66,78 | H033 | 71B | 4 | 5500 |
| 20,7 | 155 | 2,4 | 134,76 | H053 | 63C/71A | 2 | 8000 |
| 20,1 | 170 | 1,7 | 43,75 | H042 | 71C/80A | 6 | 6600 |
| 20,1 | 159 | 1,4 | 138,71 | HA53 | 63C/71A | 2 | 6000 |
| 20,1 | 159 | 2,3 | 138,71 | HA63 | 63C/71A | 2 | 8000 |
| 20,0 | 172 | 0,9 | 44,10 | HA42 | 71C | 6 | 4300 |
| 19,6 | 163 | 1,4 | 142,04 | H043 | 63C/71A | 2 | 6600 |
| 19,4 | 177 | 2,9 | 45,36 | H052 | 71C/80A | 6 | 8000 |
| 19,1 | 174 | 0,9 | 72,27 | HA43 | 71B | 4 | 4300 |
| 19,0 | 175 | 2,9 | 72,75 | H053 | 71B | 4 | 8000 |
| 18,9 | 170 | 3,8 | 149,51 | H063 | 71A | 2 | 12000 |

5.1 H/HA GEARED MOTORS (50Hz)

0,37 kW

| n2 [rpm] | M2 [Nm] | fs | i | Gear reducer | Motor Size | Pole | Fr2 [N] |
|-------------|------------|-----|--------|-----------------|---------------|------|------------|
| 18,9 | 181 | 1,7 | 49,78 | HA52 | 80A | 6 | 6000 |
| 18,9 | 181 | 2,1 | 49,78 | HA62 | 80A | 6 | 8000 |
| 18,6 | 184 | 1,1 | 47,25 | H032 | 71C/80A | 6 | 5500 |
| 18,5 | 185 | 1,6 | 47,53 | H042 | 71C/80A | 6 | 6600 |
| 18,4 | 180 | 1,1 | 74,84 | H033 | 71B | 4 | 5500 |
| 18,4 | 180 | 1,7 | 74,88 | HA53 | 71B | 4 | 6000 |
| 18,4 | 180 | 2,7 | 74,88 | HA63 | 71B | 4 | 8000 |
| 18,0 | 185 | 1,6 | 76,67 | H043 | 71B | 4 | 6600 |
| 17,9 | 191 | 2,7 | 49,13 | H052 | 71C/80A | 6 | 8000 |
| 17,7 | 181 | 2,1 | 157,29 | H053 | 63C/71A | 2 | 8000 |
| 17,7 | 190 | 1,7 | 49,80 | HA53 | 71C/80A | 6 | 6000 |
| 17,7 | 190 | 2,7 | 49,80 | HA63 | 71C/80A | 6 | 8000 |
| 17,1 | 196 | 0,8 | 51,32 | HA43 | 71C | 6 | 4300 |
| 17,1 | 187 | 1,2 | 163,05 | HA53 | 63C/71A | 2 | 6000 |
| 17,1 | 187 | 1,9 | 163,05 | HA63 | 63C/71A | 2 | 8000 |
| 16,9 | 190 | 1,2 | 165,38 | H043 | 63C/71A | 2 | 6600 |
| 16,5 | 194 | 3,3 | 170,67 | H063 | 71A | 2 | 12000 |
| 16,4 | 204 | 1,0 | 53,59 | H033 | 71C/80A | 6 | 5500 |
| 16,2 | 211 | 1,4 | 54,25 | H042 | 71C/80A | 6 | 6600 |
| 15,9 | 210 | 1,4 | 87,05 | H043 | 71B | 4 | 6600 |
| 15,7 | 218 | 2,4 | 56,11 | H052 | 71C/80A | 6 | 8000 |
| 15,7 | 212 | 1,4 | 88,02 | HA53 | 71B | 4 | 6000 |
| 15,7 | 212 | 2,3 | 88,02 | HA63 | 71B | 4 | 8000 |
| 15,2 | 218 | 2,3 | 90,51 | H053 | 71B | 4 | 8000 |
| 15,2 | 225 | 1,4 | 61,87 | HA52 | 80A | 6 | 6000 |
| 15,2 | 225 | 2,0 | 61,87 | HA62 | 80A | 6 | 8000 |
| 15,1 | 212 | 3,0 | 186,18 | H063 | 71A | 2 | 12000 |
| 15,0 | 224 | 2,3 | 58,81 | H053 | 71C/80A | 6 | 8000 |
| 14,6 | 228 | 3,7 | 94,76 | H063 | 71B | 4 | 12000 |
| 14,6 | 230 | 1,4 | 60,25 | HA53 | 71C/80A | 6 | 6000 |
| 14,6 | 230 | 2,2 | 60,25 | HA63 | 71C/80A | 6 | 8000 |
| 14,3 | 224 | 1,7 | 194,56 | H053 | 63C/71A | 2 | 8000 |
| 14,2 | 236 | 1,3 | 61,83 | H043 | 71C/80A | 6 | 6600 |
| 13,9 | 230 | 1,6 | 200,27 | HA63 | 63C/71A | 2 | 8000 |
| 13,1 | 245 | 2,6 | 215,21 | H063 | 71A | 2 | 12000 |
| 12,9 | 249 | 1,5 | 216,38 | H053 | 63C/71A | 2 | 8000 |
| 12,7 | 262 | 1,9 | 108,95 | H053 | 71B | 4 | 8000 |
| 12,4 | 269 | 1,1 | 111,61 | HA53 | 71B | 4 | 6000 |
| 12,4 | 269 | 1,8 | 111,61 | HA63 | 71B | 4 | 8000 |
| 12,1 | 277 | 1,9 | 72,75 | H053 | 71C/80A | 6 | 8000 |
| 12,0 | 276 | 1,1 | 114,55 | H043 | 71B | 4 | 6600 |
| 12,0 | 267 | 2,4 | 234,67 | H063 | 71A | 2 | 12000 |

5.1 H/HA GEARED MOTORS (50Hz)

0,37 kW

| n2 [rpm] | M2 [Nm] | fs | i | Gear reducer | Motor Size | Pole | Fr2 [N] |
|-------------|------------|-----|--------|-----------------|---------------|------|------------|
| 11,9 | 270 | 1,3 | 235,41 | HA63 | 63C/71A | 2 | 8000 |
| 11,8 | 285 | 1,1 | 74,88 | HA53 | 71C/80A | 6 | 6000 |
| 11,8 | 285 | 1,8 | 74,88 | HA63 | 71C/80A | 6 | 8000 |
| 11,7 | 284 | 3,0 | 118,00 | H063 | 71B | 4 | 12000 |
| 11,5 | 292 | 1,1 | 76,67 | H043 | 71C/80A | 6 | 6600 |
| 11,0 | 303 | 1,0 | 125,69 | H043 | 71B | 4 | 6600 |
| 10,5 | 305 | 2,1 | 268,00 | H063 | 71A | 2 | 12000 |
| 10,4 | 307 | 1,2 | 267,65 | H053 | 63C/71A | 2 | 8000 |
| 10,3 | 327 | 2,7 | 85,82 | H063 | 71C/80A | 6 | 12000 |
| 10,2 | 324 | 1,5 | 134,76 | H053 | 71B | 4 | 8000 |
| 10,2 | 326 | 2,6 | 135,40 | H063 | 71B | 4 | 12000 |
| 10,1 | 332 | 0,9 | 87,05 | H043 | 71C/80A | 6 | 6600 |
| 10,0 | 336 | 0,9 | 88,02 | HA53 | 71C/80A | 6 | 6000 |
| 10,0 | 336 | 1,5 | 88,02 | HA63 | 71C/80A | 6 | 8000 |
| 9,9 | 334 | 0,9 | 138,71 | HA53 | 71B | 4 | 6000 |
| 9,9 | 334 | 1,4 | 138,71 | HA63 | 71B | 4 | 8000 |
| 9,8 | 327 | 1,1 | 284,81 | HA63 | 63C/71A | 2 | 8000 |
| 9,7 | 345 | 1,5 | 90,51 | H053 | 71C/80A | 6 | 8000 |
| 9,3 | 361 | 2,5 | 94,76 | H063 | 71C/80A | 6 | 12000 |
| 9,2 | 360 | 2,4 | 149,51 | H063 | 71B | 4 | 12000 |
| 8,8 | 379 | 1,3 | 157,29 | H053 | 71B | 4 | 8000 |
| 8,5 | 392 | 0,8 | 163,05 | HA53 | 71B | 4 | 6000 |
| 8,5 | 392 | 1,2 | 163,05 | HA63 | 71B | 4 | 8000 |
| 8,1 | 415 | 1,3 | 108,95 | H053 | 71C/80A | 6 | 8000 |
| 8,1 | 411 | 2,1 | 170,67 | H063 | 71B | 4 | 12000 |
| 7,9 | 425 | 0,7 | 111,61 | HA53 | 71C/80A | 6 | 6000 |
| 7,9 | 425 | 1,2 | 111,61 | HA63 | 71C/80A | 6 | 8000 |
| 7,5 | 450 | 2,0 | 118,00 | H063 | 71C/80A | 6 | 12000 |
| 7,4 | 448 | 1,9 | 186,18 | H063 | 71B | 4 | 12000 |
| 7,1 | 468 | 1,1 | 194,56 | H053 | 71B | 4 | 8000 |
| 6,9 | 482 | 1,0 | 200,27 | HA63 | 71B | 4 | 8000 |
| 6,6 | 507 | 3,7 | 142,15 | H083 | 80A | 6 | 18000 |
| 6,5 | 514 | 1,0 | 134,76 | H053 | 71C/80A | 6 | 8000 |
| 6,5 | 516 | 1,7 | 135,40 | H063 | 71C/80A | 6 | 12000 |
| 6,4 | 521 | 1,0 | 216,38 | H053 | 71B | 4 | 8000 |
| 6,4 | 518 | 1,6 | 215,21 | H063 | 71B | 4 | 12000 |
| 6,3 | 529 | 1,0 | 138,71 | HA63 | 71C/80A | 6 | 8000 |
| 6,1 | 552 | 3,4 | 154,76 | H083 | 80A | 6 | 18000 |
| 5,9 | 570 | 1,6 | 149,51 | H063 | 71C/80A | 6 | 12000 |
| 5,9 | 565 | 1,5 | 234,67 | H063 | 71B | 4 | 12000 |
| 5,9 | 567 | 0,8 | 235,41 | HA63 | 71B | 4 | 8000 |
| 5,8 | 579 | 3,3 | 162,35 | H083 | 80A | 6 | 18000 |

5.1 H/HA GEARED MOTORS (50Hz)

0,37 kW

| n2 [rpm] | M2 [Nm] | fs | i | Gear reducer | Motor Size | Pole | Fr2 [N] |
|----------|---------|-----|--------|--------------|------------|------|---------|
| 5,4 | 622 | 0,8 | 163,05 | HA63 | 71C/80A | 6 | 8000 |
| 5,2 | 651 | 1,4 | 170,67 | H063 | 71C/80A | 6 | 12000 |
| 5,2 | 639 | 3,0 | 179,13 | H083 | 80A | 6 | 18000 |
| 5,1 | 645 | 1,3 | 268,00 | H063 | 71B | 4 | 12000 |
| 4,8 | 696 | 2,7 | 195,07 | H083 | 80A | 6 | 18000 |
| 4,7 | 710 | 1,3 | 186,18 | H063 | 71C/80A | 6 | 12000 |
| 4,2 | 795 | 2,4 | 222,78 | H083 | 80A | 6 | 18000 |
| 4,1 | 820 | 1,1 | 215,21 | H063 | 71C/80A | 6 | 12000 |
| 3,8 | 895 | 1,0 | 234,67 | H063 | 71C/80A | 6 | 12000 |
| 3,5 | 956 | 0,9 | 268,00 | H063 | 80A | 6 | 12000 |

0,55 kW

| n2 [rpm] | M2 [Nm] | fs | i | Gear reducer | Motor Size | Pole | Fr2 [N] |
|----------|---------|-----|------|--------------|------------|------|---------|
| 1102,0 | 4 | 3,2 | 2,55 | HA31 | 71B | 2 | 484 |
| 954,3 | 5 | 2,9 | 2,94 | HA31 | 71B | 2 | 508 |
| 954,3 | 5 | 3,6 | 2,94 | HA41 | 71B | 2 | 514 |
| 884,6 | 6 | 2,7 | 3,18 | HA31 | 71B | 2 | 521 |
| 837,0 | 6 | 2,6 | 3,36 | HA31 | 71B | 2 | 531 |
| 726,7 | 7 | 2,3 | 3,87 | HA31 | 71B | 2 | 556 |
| 685,0 | 7 | 3,8 | 2,00 | HR041 | 71C/80A | 4 | 816 |
| 666,8 | 7 | 2,1 | 4,21 | HA31 | 71B | 2 | 573 |
| 647,0 | 8 | 3,7 | 1,44 | HR041 | 80B | 6 | 830 |
| 642,1 | 8 | 3,3 | 1,45 | HA41 | 80B | 6 | 586 |
| 591,6 | 8 | 2,0 | 4,75 | HA31 | 71B | 2 | 596 |
| 591,6 | 8 | 2,7 | 4,75 | HA41 | 71B | 2 | 603 |
| 562,0 | 9 | 3,9 | 5,00 | HR041 | 71B | 2 | 868 |
| 551,0 | 9 | 1,9 | 5,10 | HA31 | 71B | 2 | 610 |
| 538,2 | 9 | 3,6 | 2,55 | HR041 | 71C/80A | 4 | 877 |
| 537,3 | 9 | 2,0 | 2,55 | HA31 | 71C/80A | 4 | 615 |
| 515,2 | 10 | 1,8 | 5,45 | HA31 | 71B | 2 | 624 |
| 515,2 | 10 | 2,4 | 5,45 | HA41 | 71B | 2 | 631 |
| 515,2 | 10 | 3,9 | 5,45 | HA51 | 71B | 2 | 1739 |
| 510,9 | 10 | 3,9 | 5,50 | HR041 | 71B | 2 | 893 |
| 504,7 | 10 | 3,4 | 2,71 | HR041 | 71C/80A | 4 | 894 |
| 465,3 | 11 | 1,8 | 2,94 | HA31 | 71C/80A | 4 | 646 |
| 465,3 | 11 | 2,3 | 2,94 | HA41 | 71C/80A | 4 | 653 |
| 465,3 | 11 | 3,7 | 2,94 | HA51 | 71C/80A | 4 | 1799 |
| 465,0 | 11 | 2,7 | 2,00 | HR041 | 80B | 6 | 916 |
| 461,3 | 11 | 3,5 | 6,09 | HR041 | 71B | 2 | 920 |
| 446,0 | 11 | 1,6 | 6,30 | HA31 | 71B | 2 | 655 |
| 441,2 | 12 | 3,8 | 3,11 | HR041 | 71C/80A | 4 | 930 |

0,55 kW

| n ₂ [rpm] | M ₂ [Nm] | f _s | i | Gear reducer | Motor Size | Pole | Fr ₂ [N] |
|-------------------------|------------------------|----------------|-------|-----------------|---------------|------|------------------------|
| 431,3 | 12 | 1,7 | 3,18 | HA31 | 71C/80A | 4 | 662 |
| 408,1 | 12 | 1,6 | 3,36 | HA31 | 71C/80A | 4 | 674 |
| 381,8 | 13 | 3,4 | 3,59 | HR041 | 71C/80A | 4 | 970 |
| 366,5 | 13 | 2,8 | 7,67 | HR041 | 71B | 2 | 984 |
| 365,4 | 14 | 2,5 | 2,55 | HR041 | 80B | 6 | 982 |
| 364,7 | 14 | 1,4 | 2,55 | HA31 | 80B | 6 | 700 |
| 356,8 | 14 | 1,2 | 7,88 | HA31 | 71B | 2 | 705 |
| 356,8 | 14 | 1,4 | 7,88 | HA41 | 71B | 2 | 713 |
| 356,8 | 14 | 2,2 | 7,88 | HA51 | 71B | 2 | 1965 |
| 354,3 | 14 | 1,5 | 3,87 | HA31 | 71C/80A | 4 | 707 |
| 342,6 | 15 | 2,4 | 2,71 | HR041 | 80B | 6 | 1000 |
| 326,2 | 16 | 2,9 | 4,20 | HR041 | 71C/80A | 4 | 1000 |
| 325,1 | 16 | 1,3 | 4,21 | HA31 | 71C/80A | 4 | 728 |
| 321,1 | 15 | 2,7 | 8,75 | HR041 | 71B | 2 | 1000 |
| 315,8 | 16 | 1,3 | 2,94 | HA31 | 80B | 6 | 735 |
| 315,8 | 16 | 1,6 | 2,94 | HA41 | 80B | 6 | 743 |
| 315,8 | 16 | 2,6 | 2,94 | HA51 | 80B | 6 | 2047 |
| 299,5 | 17 | 2,7 | 3,11 | HR041 | 80B | 6 | 1000 |
| 292,8 | 18 | 1,2 | 3,18 | HA31 | 80B | 6 | 753 |
| 288,4 | 18 | 1,2 | 4,75 | HA31 | 71C/80A | 4 | 757 |
| 288,4 | 18 | 1,7 | 4,75 | HA41 | 71C/80A | 4 | 766 |
| 288,4 | 18 | 2,8 | 4,75 | HA51 | 71C/80A | 4 | 2110 |
| 277,0 | 19 | 1,1 | 3,36 | HA31 | 80B | 6 | 767 |
| 274,0 | 19 | 2,4 | 5,00 | HR041 | 71C/80A | 4 | 1000 |
| 268,6 | 19 | 1,2 | 5,10 | HA31 | 71C | 4 | 775 |
| 259,2 | 20 | 2,4 | 3,59 | HR041 | 80B | 6 | 1000 |
| 256,9 | 19 | 3,6 | 10,94 | HA32 | 71B | 2 | 1101 |
| 251,2 | 20 | 1,1 | 5,45 | HA31 | 71C | 4 | 793 |
| 251,2 | 20 | 1,5 | 5,45 | HA41 | 71C/80A | 4 | 802 |
| 251,2 | 20 | 2,5 | 5,45 | HA51 | 71C/80A | 4 | 2209 |
| 249,1 | 20 | 2,4 | 5,50 | HR041 | 71C/80A | 4 | 1000 |
| 240,5 | 21 | 1,0 | 3,87 | HA31 | 80B | 6 | 804 |
| 224,9 | 23 | 2,2 | 6,09 | HR041 | 71C/80A | 4 | 1000 |
| 221,4 | 23 | 2,0 | 4,20 | HR041 | 80B | 6 | 1000 |
| 220,7 | 23 | 0,9 | 4,21 | HA31 | 80B | 6 | 828 |
| 217,5 | 23 | 1,0 | 6,30 | HA31 | 71C | 4 | 832 |
| 212,1 | 23 | 2,6 | 13,25 | HA32 | 71B | 2 | 1174 |
| 210,2 | 24 | 3,3 | 6,52 | HA32 | 71C/80A | 4 | 1177 |
| 198,0 | 26 | 3,9 | 4,70 | H032 | 80B | 6 | 4321 |
| 195,8 | 26 | 0,9 | 4,75 | HA31 | 80B | 6 | 862 |
| 195,8 | 26 | 1,2 | 4,75 | HA41 | 80B | 6 | 871 |
| 195,8 | 26 | 2,0 | 4,75 | HA51 | 80B | 6 | 2401 |

0,55 kW

| n2 [rpm] | M2 [Nm] | fs | i | Gear reducer | Motor Size | Pole | Fr2 [N] |
|-------------|------------|-----|-------|-----------------|---------------|------|------------|
| 195,0 | 26 | 3,8 | 4,77 | HR051 | 80B | 6 | 2500 |
| 186,8 | 27 | 3,7 | 7,33 | HR051 | 71C/80A | 4 | 2500 |
| 186,0 | 28 | 1,7 | 5,00 | HR041 | 80B | 6 | 1000 |
| 180,6 | 28 | 3,2 | 7,75 | HA61 | 80A | 4 | 3691 |
| 178,7 | 29 | 1,8 | 7,67 | HR041 | 71C/80A | 4 | 1000 |
| 177,1 | 29 | 3,6 | 5,25 | HR051 | 80B | 6 | 2500 |
| 174,0 | 29 | 0,9 | 7,88 | HA41 | 71C | 4 | 906 |
| 174,0 | 29 | 1,4 | 7,88 | HA51 | 71C | 4 | 2497 |
| 172,9 | 29 | 2,9 | 5,38 | HA32 | 80B | 6 | 1256 |
| 170,5 | 30 | 1,0 | 5,45 | HA41 | 80B | 6 | 912 |
| 170,5 | 30 | 1,7 | 5,45 | HA51 | 80B | 6 | 2514 |
| 170,4 | 29 | 2,1 | 16,49 | HA32 | 71B | 2 | 1263 |
| 170,4 | 29 | 3,7 | 16,49 | HA42 | 71B | 2 | 2658 |
| 169,1 | 30 | 1,7 | 5,50 | HR041 | 80B | 6 | 1000 |
| 168,9 | 30 | 2,5 | 8,11 | HA32 | 71C/80A | 4 | 1266 |
| 163,6 | 31 | 3,2 | 8,38 | HR051 | 71C/80A | 4 | 2500 |
| 159,8 | 32 | 3,3 | 5,82 | HR051 | 80B | 6 | 2500 |
| 156,6 | 33 | 1,7 | 8,75 | HR041 | 71C/80A | 4 | 1000 |
| 154,5 | 33 | 4,0 | 8,87 | H032 | 71C | 4 | 4641 |
| 152,7 | 34 | 1,6 | 6,09 | HR041 | 80B | 6 | 1000 |
| 149,3 | 34 | 3,2 | 6,23 | H032 | 80B | 6 | 4682 |
| 142,7 | 36 | 2,4 | 6,52 | HA32 | 80B | 6 | 1339 |
| 138,7 | 35 | 1,9 | 20,26 | HA32 | 71B | 2 | 1352 |
| 138,7 | 35 | 3,2 | 20,26 | HA42 | 71B | 2 | 2847 |
| 135,1 | 37 | 3,7 | 10,14 | H032 | 71C/80A | 4 | 4818 |
| 131,3 | 39 | 1,8 | 10,67 | HA61 | 80A | 4 | 4106 |
| 126,8 | 41 | 2,6 | 7,33 | HR051 | 80B | 6 | 2500 |
| 125,3 | 40 | 2,2 | 10,94 | HA32 | 71C/80A | 4 | 1399 |
| 125,3 | 40 | 3,7 | 10,94 | HA42 | 71C/80A | 4 | 2945 |
| 123,9 | 39 | 3,8 | 22,68 | H032 | 71B | 2 | 4948 |
| 121,3 | 42 | 1,2 | 7,67 | HR041 | 80B | 6 | 1000 |
| 120,0 | 43 | 2,2 | 7,75 | HA61 | 80B | 6 | 4230 |
| 119,8 | 43 | 3,1 | 7,76 | H032 | 80B | 6 | 4974 |
| 117,9 | 41 | 3,6 | 23,83 | H032 | 71B | 2 | 5016 |
| 116,5 | 43 | 3,3 | 11,76 | H032 | 71C/80A | 4 | 5016 |
| 114,7 | 44 | 1,8 | 8,11 | HA32 | 80B | 6 | 1441 |
| 114,7 | 44 | 3,1 | 8,11 | HA42 | 80B | 6 | 3033 |
| 114,5 | 43 | 1,5 | 24,55 | HA32 | 71B | 2 | 1442 |
| 114,5 | 43 | 2,7 | 24,55 | HA42 | 71B | 2 | 3035 |
| 111,0 | 46 | 2,3 | 8,38 | HR051 | 80B | 6 | 2500 |
| 111,0 | 46 | 3,9 | 8,38 | HR061 | 80B | 6 | 3700 |
| 106,5 | 46 | 3,3 | 26,39 | H032 | 71B | 2 | 5156 |

0,55 kW

| n2 [rpm] | M2 [Nm] | fs | i | Gear reducer | Motor Size | Pole | Fr2 [N] |
|-------------|------------|-----|-------|-----------------|---------------|------|------------|
| 106,3 | 48 | 1,2 | 8,75 | HR041 | 80B | 6 | 1000 |
| 104,9 | 49 | 2,8 | 8,87 | H032 | 80B | 6 | 5154 |
| 103,4 | 49 | 1,6 | 13,25 | HA32 | 71C/80A | 4 | 1491 |
| 103,4 | 49 | 2,9 | 13,25 | HA42 | 71C/80A | 4 | 3140 |
| 99,9 | 50 | 3,4 | 13,72 | H032 | 71C/80A | 4 | 5226 |
| 94,6 | 51 | 2,9 | 29,70 | H032 | 71B | 2 | 5320 |
| 93,5 | 54 | 3,2 | 14,66 | H032 | 71C/80A | 4 | 5317 |
| 92,3 | 53 | 4,0 | 30,45 | H042 | 71B | 2 | 6600 |
| 92,0 | 53 | 1,1 | 30,55 | HA32 | 71B | 2 | 1551 |
| 92,0 | 53 | 2,0 | 30,55 | HA42 | 71B | 2 | 3264 |
| 91,7 | 56 | 2,6 | 10,14 | H032 | 80B | 6 | 5338 |
| 87,2 | 59 | 1,2 | 10,67 | HA61 | 80B | 6 | 4500 |
| 85,4 | 57 | 2,6 | 32,89 | H032 | 71B | 2 | 5463 |
| 85,0 | 60 | 1,6 | 10,94 | HA32 | 80B | 6 | 1592 |
| 85,0 | 60 | 2,6 | 10,94 | HA42 | 80B | 6 | 3351 |
| 83,1 | 61 | 1,3 | 16,49 | HA32 | 71C/80A | 4 | 1604 |
| 83,1 | 61 | 2,3 | 16,49 | HA42 | 71C/80A | 4 | 3377 |
| 82,4 | 59 | 3,6 | 34,10 | H042 | 71B | 2 | 6600 |
| 81,7 | 62 | 3,1 | 16,77 | H032 | 71C/80A | 4 | 5500 |
| 79,3 | 61 | 1,1 | 35,44 | HA32 | 71B | 2 | 1629 |
| 79,3 | 61 | 1,8 | 35,44 | HA42 | 71B | 2 | 3430 |
| 79,1 | 64 | 2,4 | 11,76 | H032 | 80B | 6 | 5500 |
| 75,3 | 67 | 3,0 | 18,20 | H032 | 71C/80A | 4 | 5500 |
| 74,4 | 65 | 3,2 | 37,76 | H042 | 71B | 2 | 6600 |
| 74,1 | 66 | 2,3 | 37,92 | H032 | 71B | 2 | 5500 |
| 72,1 | 70 | 3,6 | 19,00 | H042 | 71C/80A | 4 | 6600 |
| 70,2 | 73 | 1,2 | 13,25 | HA32 | 80B | 6 | 1697 |
| 70,2 | 73 | 2,0 | 13,25 | HA42 | 80B | 6 | 3572 |
| 68,9 | 73 | 2,7 | 19,90 | H032 | 71C/80A | 4 | 5500 |
| 68,5 | 74 | 3,5 | 13,57 | H042 | 80B | 6 | 6600 |
| 68,4 | 74 | 3,9 | 20,46 | HA52 | 80A | 4 | 4504 |
| 67,9 | 72 | 2,1 | 41,40 | H032 | 71B | 2 | 5500 |
| 67,8 | 75 | 2,4 | 13,72 | H032 | 80B | 6 | 5500 |
| 67,6 | 75 | 1,2 | 20,26 | HA32 | 71C/80A | 4 | 1718 |
| 67,6 | 75 | 2,0 | 20,26 | HA42 | 71C/80A | 4 | 3617 |
| 65,2 | 77 | 3,2 | 21,00 | H042 | 71C/80A | 4 | 6600 |
| 64,2 | 76 | 2,8 | 43,75 | H042 | 71B | 2 | 6600 |
| 64,1 | 79 | 3,7 | 14,50 | HA52 | 80B | 6 | 4602 |
| 63,7 | 76 | 1,4 | 44,10 | HA42 | 71B | 2 | 3689 |
| 63,5 | 80 | 2,2 | 14,66 | H032 | 80B | 6 | 5500 |
| 60,4 | 83 | 2,4 | 22,68 | H032 | 71C/80A | 4 | 5500 |
| 59,5 | 82 | 1,8 | 47,25 | H032 | 71B | 2 | 5500 |

0,55 kW

| n2 [rpm] | M2 [Nm] | fs | i | Gear reducer | Motor Size | Pole | Fr2 [N] |
|-------------|------------|-----|-------|-----------------|---------------|------|------------|
| 59,2 | 85 | 3,1 | 23,15 | H042 | 71C/80A | 4 | 6600 |
| 59,1 | 82 | 2,6 | 47,53 | H042 | 71B | 2 | 6600 |
| 58,3 | 87 | 3,0 | 15,96 | H042 | 80B | 6 | 6600 |
| 57,6 | 84 | 1,0 | 48,75 | HA42 | 71B | 2 | 3815 |
| 57,5 | 88 | 2,3 | 23,83 | H032 | 71C/80A | 4 | 5500 |
| 56,4 | 90 | 0,9 | 16,49 | HA32 | 80B | 6 | 1825 |
| 56,4 | 90 | 1,6 | 16,49 | HA42 | 80B | 6 | 3843 |
| 56,4 | 84 | 2,7 | 49,80 | HA53 | 71B | 2 | 4802 |
| 55,8 | 90 | 0,9 | 24,55 | HA32 | 71C/80A | 4 | 1832 |
| 55,8 | 90 | 1,7 | 24,55 | HA42 | 71C/80A | 4 | 3856 |
| 55,5 | 92 | 2,2 | 16,77 | H032 | 80B | 6 | 5500 |
| 55,1 | 92 | 3,1 | 25,43 | HA52 | 80A | 4 | 4842 |
| 55,0 | 93 | 3,4 | 16,91 | HA52 | 80B | 6 | 4844 |
| 54,8 | 87 | 1,3 | 51,32 | HA43 | 71B | 2 | 3881 |
| 52,6 | 96 | 2,7 | 26,04 | H042 | 71C/80A | 4 | 6600 |
| 52,4 | 91 | 1,7 | 53,59 | H033 | 71B | 2 | 5500 |
| 51,9 | 97 | 2,1 | 26,39 | H032 | 71C/80A | 4 | 5500 |
| 51,8 | 94 | 2,2 | 54,25 | H042 | 71B | 2 | 6600 |
| 51,1 | 100 | 2,1 | 18,20 | H032 | 80B | 6 | 5500 |
| 50,1 | 97 | 3,8 | 56,11 | H052 | 71B | 2 | 8000 |
| 49,8 | 101 | 2,8 | 27,50 | H042 | 71C/80A | 4 | 6600 |
| 48,9 | 104 | 2,5 | 19,00 | H042 | 80B | 6 | 6600 |
| 47,8 | 100 | 3,8 | 58,81 | H053 | 71B | 2 | 8000 |
| 47,1 | 101 | 1,1 | 59,65 | HA43 | 71B | 2 | 4080 |
| 46,8 | 108 | 2,8 | 29,89 | HA52 | 80A | 4 | 5110 |
| 46,7 | 109 | 1,9 | 19,90 | H032 | 80B | 6 | 5500 |
| 46,6 | 102 | 2,2 | 60,25 | HA53 | 71B | 2 | 5117 |
| 46,6 | 102 | 3,5 | 60,25 | HA63 | 71B | 2 | 7553 |
| 46,1 | 109 | 1,8 | 29,70 | H032 | 71C/80A | 4 | 5500 |
| 45,9 | 111 | 0,9 | 20,26 | HA32 | 80B | 6 | 1955 |
| 45,9 | 111 | 1,4 | 20,26 | HA42 | 80B | 6 | 4116 |
| 45,5 | 112 | 2,7 | 20,46 | HA52 | 80B | 6 | 5162 |
| 45,4 | 105 | 2,1 | 61,83 | H043 | 71B | 2 | 6600 |
| 45,0 | 112 | 2,5 | 30,45 | H042 | 71C/80A | 4 | 6600 |
| 44,9 | 112 | 1,2 | 30,55 | HA42 | 71C/80A | 4 | 4148 |
| 44,3 | 115 | 2,3 | 21,00 | H042 | 80B | 6 | 6600 |
| 42,1 | 113 | 1,3 | 66,78 | H033 | 71B | 2 | 5500 |
| 41,7 | 121 | 1,7 | 32,89 | H032 | 71C/80A | 4 | 5500 |
| 41,0 | 124 | 1,7 | 22,68 | H032 | 80B | 6 | 5500 |
| 40,2 | 127 | 2,2 | 23,15 | H042 | 80B | 6 | 6600 |
| 40,2 | 126 | 2,2 | 34,10 | H042 | 71C/80A | 4 | 6600 |
| 39,0 | 131 | 1,6 | 23,83 | H032 | 80B | 6 | 5500 |

5.1 H/HA GEARED MOTORS (50Hz)

0,55 kW

| n2 [rpm] | M2 [Nm] | fs | i | Gear reducer | Size | Motor Pole | Fr2 [N] |
|-------------|------------|-----|-------|-----------------|---------|---------------|------------|
| 38,7 | 130 | 1,2 | 35,44 | HA42 | 71C | 4 | 4300 |
| 38,7 | 130 | 2,3 | 36,17 | HA52 | 80A | 4 | 5445 |
| 38,7 | 130 | 3,6 | 36,17 | HA62 | 80A | 4 | 8000 |
| 38,6 | 123 | 3,0 | 72,75 | H053 | 71B | 2 | 8000 |
| 37,9 | 134 | 1,2 | 24,55 | HA42 | 80B | 6 | 4300 |
| 37,6 | 135 | 3,6 | 24,71 | H052 | 80B | 6 | 8000 |
| 37,5 | 127 | 1,2 | 74,84 | H033 | 71B | 2 | 5500 |
| 37,5 | 127 | 1,8 | 74,88 | HA53 | 71B | 2 | 5502 |
| 37,5 | 127 | 2,8 | 74,88 | HA63 | 71B | 2 | 8000 |
| 36,6 | 130 | 1,7 | 76,67 | H043 | 71B | 2 | 6600 |
| 36,6 | 139 | 2,1 | 25,43 | HA52 | 80B | 6 | 5549 |
| 36,6 | 139 | 3,2 | 25,43 | HA62 | 80B | 6 | 8000 |
| 36,3 | 139 | 2,0 | 37,76 | H042 | 71C/80A | 4 | 6600 |
| 36,1 | 140 | 1,4 | 37,92 | H032 | 71C/80A | 4 | 5500 |
| 35,7 | 143 | 1,9 | 26,04 | H042 | 80B | 6 | 6600 |
| 35,5 | 143 | 3,6 | 26,18 | H052 | 80B | 6 | 8000 |
| 35,2 | 145 | 1,5 | 26,39 | H032 | 80B | 6 | 5500 |
| 35,1 | 143 | 3,4 | 38,98 | H052 | 71C/80A | 4 | 8000 |
| 33,8 | 151 | 2,0 | 27,50 | H042 | 80B | 6 | 6600 |
| 33,1 | 152 | 1,3 | 41,40 | H032 | 71C/80A | 4 | 5500 |
| 32,7 | 156 | 3,3 | 28,44 | H052 | 80B | 6 | 8000 |
| 32,3 | 148 | 1,5 | 87,05 | H043 | 71B | 2 | 6600 |
| 31,9 | 149 | 1,5 | 88,02 | HA53 | 71B | 2 | 5807 |
| 31,9 | 149 | 2,4 | 88,02 | HA63 | 71B | 2 | 8000 |
| 31,3 | 163 | 1,3 | 29,70 | H032 | 80B | 6 | 5500 |
| 31,3 | 161 | 1,7 | 43,75 | H042 | 71C/80A | 4 | 6600 |
| 31,1 | 162 | 0,9 | 44,10 | HA42 | 71C | 4 | 4300 |
| 31,1 | 164 | 1,9 | 29,89 | HA52 | 80B | 6 | 5857 |
| 31,1 | 162 | 1,7 | 44,95 | HA52 | 80A | 4 | 5855 |
| 31,1 | 164 | 2,9 | 29,89 | HA62 | 80B | 6 | 8000 |
| 31,1 | 162 | 2,7 | 44,95 | HA62 | 80A | 4 | 8000 |
| 31,0 | 153 | 2,4 | 90,51 | H053 | 71B | 2 | 8000 |
| 30,5 | 167 | 1,8 | 30,45 | H042 | 80B | 6 | 6600 |
| 30,4 | 167 | 0,9 | 30,55 | HA42 | 80B | 6 | 4300 |
| 30,2 | 167 | 2,9 | 45,36 | H052 | 71C/80A | 4 | 8000 |
| 29,7 | 161 | 4,0 | 94,76 | H063 | 71B | 2 | 12000 |
| 29,5 | 173 | 3,0 | 31,52 | H052 | 80B | 6 | 8000 |
| 29,0 | 174 | 1,2 | 47,25 | H032 | 71C/80A | 4 | 5500 |
| 28,8 | 175 | 1,6 | 47,53 | H042 | 71C/80A | 4 | 6600 |
| 28,3 | 180 | 1,2 | 32,89 | H032 | 80B | 6 | 5500 |
| 28,2 | 181 | 2,8 | 33,00 | H052 | 80B | 6 | 8000 |
| 28,1 | 179 | 1,7 | 49,78 | HA52 | 80A | 4 | 6000 |

0,55 kW

| n2 [rpm] | M2 [Nm] | fs | i | Gear reducer | Motor Size | Pole | Fr2 [N] |
|-------------|------------|-----|--------|-----------------|---------------|------|------------|
| 28,1 | 179 | 2,1 | 49,78 | HA62 | 80A | 4 | 8000 |
| 27,9 | 181 | 2,7 | 49,13 | H052 | 71C/80A | 4 | 8000 |
| 27,5 | 179 | 1,7 | 49,80 | HA53 | 71C/80A | 4 | 6000 |
| 27,5 | 179 | 2,7 | 49,80 | HA63 | 71C/80A | 4 | 8000 |
| 27,3 | 187 | 1,6 | 34,10 | H042 | 80B | 6 | 6600 |
| 26,7 | 185 | 0,8 | 51,32 | HA43 | 71C | 4 | 4300 |
| 25,8 | 185 | 2,0 | 108,95 | H053 | 71B | 2 | 8000 |
| 25,7 | 198 | 1,6 | 36,17 | HA52 | 80B | 6 | 6000 |
| 25,7 | 198 | 2,5 | 36,17 | HA62 | 80B | 6 | 8000 |
| 25,6 | 193 | 1,0 | 53,59 | H033 | 71C/80A | 4 | 5500 |
| 25,3 | 200 | 1,4 | 54,25 | H042 | 71C/80A | 4 | 6600 |
| 25,2 | 189 | 1,2 | 111,61 | HA53 | 71B | 2 | 6000 |
| 25,2 | 189 | 1,9 | 111,61 | HA63 | 71B | 2 | 8000 |
| 24,6 | 207 | 1,4 | 37,76 | H042 | 80B | 6 | 6600 |
| 24,5 | 208 | 1,0 | 37,92 | H032 | 80B | 6 | 5500 |
| 24,5 | 194 | 1,2 | 114,55 | H043 | 71B | 2 | 6600 |
| 24,4 | 207 | 2,4 | 56,11 | H052 | 71C/80A | 4 | 8000 |
| 23,9 | 213 | 2,4 | 38,98 | H052 | 80B | 6 | 8000 |
| 23,8 | 200 | 3,2 | 118,00 | H063 | 71B | 2 | 12000 |
| 23,3 | 212 | 2,4 | 58,81 | H053 | 71C/80A | 4 | 8000 |
| 22,7 | 217 | 1,4 | 60,25 | HA53 | 71C/80A | 4 | 6000 |
| 22,7 | 217 | 2,2 | 60,25 | HA63 | 71C/80A | 4 | 8000 |
| 22,6 | 223 | 1,3 | 61,87 | HA52 | 80A | 4 | 6000 |
| 22,6 | 223 | 2,0 | 61,87 | HA62 | 80A | 4 | 8000 |
| 22,5 | 227 | 0,9 | 41,40 | H032 | 80B | 6 | 5500 |
| 22,4 | 213 | 1,1 | 125,69 | H043 | 71B | 2 | 6600 |
| 22,2 | 223 | 1,3 | 61,83 | H043 | 71C/80A | 4 | 6600 |
| 21,3 | 240 | 1,2 | 43,75 | H042 | 80B | 6 | 6600 |
| 20,9 | 228 | 1,6 | 134,76 | H053 | 71B | 2 | 8000 |
| 20,8 | 230 | 2,8 | 135,40 | H063 | 71B | 2 | 12000 |
| 20,7 | 246 | 1,2 | 44,95 | HA52 | 80B | 6 | 6000 |
| 20,7 | 246 | 1,9 | 44,95 | HA62 | 80B | 6 | 8000 |
| 20,5 | 248 | 2,1 | 45,36 | H052 | 80B | 6 | 8000 |
| 20,3 | 235 | 1,5 | 138,71 | HA63 | 71B | 2 | 8000 |
| 20,2 | 252 | 3,5 | 46,06 | H062 | 80B | 6 | 12000 |
| 19,6 | 260 | 1,1 | 47,53 | H042 | 80B | 6 | 6600 |
| 18,9 | 269 | 1,9 | 49,13 | H052 | 80B | 6 | 8000 |
| 18,8 | 262 | 1,9 | 72,75 | H053 | 71C/80A | 4 | 8000 |
| 18,8 | 254 | 2,5 | 149,51 | H063 | 71B | 2 | 12000 |
| 18,7 | 273 | 1,2 | 49,78 | HA52 | 80B | 6 | 6000 |
| 18,7 | 267 | 1,2 | 49,80 | HA53 | 80B | 6 | 6000 |
| 18,7 | 273 | 1,4 | 49,78 | HA62 | 80B | 6 | 8000 |

0,55 kW

| n2 [rpm] | M2 [Nm] | fs | i | Gear reducer | Motor Size | Pole | Fr2 [N] |
|-------------|------------|-----|--------|-----------------|---------------|------|------------|
| 18,7 | 267 | 1,9 | 49,80 | HA63 | 80B | 6 | 8000 |
| 18,3 | 270 | 1,1 | 74,88 | HA53 | 71C/80A | 4 | 6000 |
| 18,3 | 270 | 1,8 | 74,88 | HA63 | 71C/80A | 4 | 8000 |
| 17,9 | 276 | 1,1 | 76,67 | H043 | 71C/80A | 4 | 6600 |
| 17,9 | 267 | 1,4 | 157,29 | H053 | 71B | 2 | 8000 |
| 17,2 | 276 | 0,8 | 163,05 | HA53 | 71B | 2 | 6000 |
| 17,2 | 276 | 1,3 | 163,05 | HA63 | 71B | 2 | 8000 |
| 17,1 | 297 | 1,0 | 54,25 | H042 | 80B | 6 | 6600 |
| 16,6 | 307 | 1,7 | 56,11 | H052 | 80B | 6 | 8000 |
| 16,5 | 289 | 2,2 | 170,67 | H063 | 71B | 2 | 12000 |
| 16,0 | 309 | 2,7 | 85,82 | H063 | 71C/80A | 4 | 12000 |
| 15,8 | 315 | 1,7 | 58,81 | H053 | 80B | 6 | 8000 |
| 15,7 | 314 | 1,0 | 87,05 | H043 | 71C/80A | 4 | 6600 |
| 15,6 | 317 | 0,9 | 88,02 | HA53 | 71C/80A | 4 | 6000 |
| 15,6 | 317 | 1,5 | 88,02 | HA63 | 71C/80A | 4 | 8000 |
| 15,4 | 323 | 1,0 | 60,25 | HA53 | 80B | 6 | 6000 |
| 15,4 | 323 | 1,6 | 60,25 | HA63 | 80B | 6 | 8000 |
| 15,1 | 326 | 1,5 | 90,51 | H053 | 71C/80A | 4 | 8000 |
| 15,1 | 316 | 2,0 | 186,18 | H063 | 71B | 2 | 12000 |
| 15,0 | 332 | 1,0 | 61,83 | H043 | 80B | 6 | 6600 |
| 15,0 | 339 | 0,9 | 61,87 | HA52 | 80B | 6 | 6000 |
| 15,0 | 339 | 1,4 | 61,87 | HA62 | 80B | 6 | 8000 |
| 14,5 | 341 | 2,5 | 94,76 | H063 | 71C/80A | 4 | 12000 |
| 14,4 | 330 | 1,1 | 194,56 | H053 | 71B | 2 | 8000 |
| 14,0 | 340 | 1,1 | 200,27 | HA63 | 71B | 2 | 8000 |
| 13,1 | 365 | 1,7 | 215,21 | H063 | 71B | 2 | 12000 |
| 13,0 | 367 | 1,0 | 216,38 | H053 | 71B | 2 | 8000 |
| 12,8 | 390 | 1,3 | 72,75 | H053 | 80B | 6 | 8000 |
| 12,6 | 393 | 1,3 | 108,95 | H053 | 71C/80A | 4 | 8000 |
| 12,4 | 402 | 1,3 | 74,88 | HA63 | 80B | 6 | 8000 |
| 12,3 | 402 | 0,7 | 111,61 | HA53 | 71C/80A | 4 | 6000 |
| 12,3 | 402 | 1,2 | 111,61 | HA63 | 71C/80A | 4 | 8000 |
| 12,0 | 398 | 1,6 | 234,67 | H063 | 71B | 2 | 12000 |
| 11,9 | 399 | 0,9 | 235,41 | HA63 | 71B | 2 | 8000 |
| 11,6 | 425 | 2,0 | 118,00 | H063 | 71C/80A | 4 | 12000 |
| 10,8 | 460 | 1,9 | 85,82 | H063 | 80B | 6 | 12000 |
| 10,6 | 472 | 1,1 | 88,02 | HA63 | 80B | 6 | 8000 |
| 10,5 | 454 | 1,4 | 268,00 | H063 | 71B | 2 | 12000 |
| 10,3 | 485 | 1,1 | 90,51 | H053 | 80B | 6 | 8000 |
| 10,2 | 486 | 1,0 | 134,76 | H053 | 71C/80A | 4 | 8000 |
| 10,1 | 488 | 1,7 | 135,40 | H063 | 71C/80A | 4 | 12000 |
| 9,9 | 500 | 1,0 | 138,71 | HA63 | 71C/80A | 4 | 8000 |

0,55 kW

| n2 [rpm] | M2 [Nm] | fs | i | Gear reducer | Motor Size | Pole | Fr2 [N] |
|----------|---------|-----|--------|--------------|------------|------|---------|
| 9,8 | 508 | 1,8 | 94,76 | H063 | 80B | 6 | 12000 |
| 9,8 | 501 | 3,6 | 142,15 | H083 | 80A | 4 | 18000 |
| 9,5 | 526 | 3,6 | 98,09 | H083 | 80B | 6 | 18000 |
| 9,2 | 539 | 1,6 | 149,51 | H063 | 71C/80A | 4 | 12000 |
| 9,0 | 546 | 3,3 | 154,76 | H083 | 80A | 4 | 18000 |
| 8,6 | 573 | 3,1 | 162,35 | H083 | 80A | 4 | 18000 |
| 8,4 | 588 | 0,8 | 163,05 | HA63 | 71C/80A | 4 | 8000 |
| 8,3 | 598 | 0,8 | 111,61 | HA63 | 80B | 6 | 8000 |
| 8,2 | 605 | 3,1 | 112,78 | H083 | 80B | 6 | 18000 |
| 8,0 | 615 | 1,4 | 170,67 | H063 | 71C/80A | 4 | 12000 |
| 7,9 | 633 | 1,4 | 118,00 | H063 | 80B | 6 | 12000 |
| 7,8 | 632 | 2,8 | 179,13 | H083 | 80A | 4 | 18000 |
| 7,5 | 667 | 2,8 | 124,44 | H083 | 80B | 6 | 18000 |
| 7,4 | 671 | 1,3 | 186,18 | H063 | 71C/80A | 4 | 12000 |
| 7,2 | 688 | 2,6 | 195,07 | H083 | 80A | 4 | 18000 |
| 6,9 | 726 | 1,2 | 135,40 | H063 | 80B | 6 | 12000 |
| 6,5 | 762 | 2,5 | 142,15 | H083 | 80B | 6 | 18000 |
| 6,4 | 776 | 1,1 | 215,21 | H063 | 71C/80A | 4 | 12000 |
| 6,3 | 786 | 2,3 | 222,78 | H083 | 80A | 4 | 18000 |
| 6,2 | 802 | 1,1 | 149,51 | H063 | 80B | 6 | 12000 |
| 6,0 | 830 | 2,3 | 154,76 | H083 | 80B | 6 | 18000 |
| 5,8 | 846 | 1,0 | 234,67 | H063 | 71C/80A | 4 | 12000 |
| 5,7 | 871 | 2,2 | 162,35 | H083 | 80B | 6 | 18000 |
| 5,4 | 915 | 1,0 | 170,67 | H063 | 80B | 6 | 12000 |
| 5,2 | 961 | 2,0 | 179,13 | H083 | 80B | 6 | 18000 |
| 4,8 | 1046 | 1,8 | 195,07 | H083 | 80B | 6 | 18000 |
| 4,2 | 1195 | 1,6 | 222,78 | H083 | 80B | 6 | 18000 |

0,75 kW

| n2 [rpm] | M2 [Nm] | fs | i | Gear reducer | Motor Size | Pole | Fr2 [N] |
|----------|---------|-----|------|--------------|--------------------|------|---------|
| 1098,0 | 6 | 2,3 | 2,55 | HA31 | 71C/80A | 2 | 485 |
| 1031,6 | 6 | 3,9 | 2,71 | HR041 | 71C/80A | 2 | 713 |
| 987,4 | 7 | 3,6 | 1,45 | HA41 | 80B | 4 | 508 |
| 973,9 | 7 | 3,9 | 1,44 | HR041 | 80B ⁽¹⁾ | 4 | 724 |
| 950,9 | 7 | 2,1 | 2,94 | HA31 | 71C/80A | 2 | 509 |
| 950,9 | 7 | 2,7 | 2,94 | HA41 | 71C/80A | 2 | 514 |
| 881,5 | 8 | 2,0 | 3,18 | HA31 | 71C/80A | 2 | 522 |
| 834,0 | 8 | 1,9 | 3,36 | HA31 | 71C/80A | 2 | 531 |
| 780,3 | 9 | 3,9 | 3,59 | HR041 | 71C/80A | 2 | 775 |
| 724,1 | 9 | 1,7 | 3,87 | HA31 | 71C/80A | 2 | 557 |
| 715,0 | 10 | 2,9 | 2,00 | HR041 | 80B | 4 | 794 |

⁽¹⁾ Available only with brake motor (TBS)

0,75 kW

| n ₂ [rpm] | M ₂ [Nm] | f _s | i | Gear reducer | Motor | | Fr ₂ [N] |
|-------------------------|------------------------|----------------|------|-----------------|--------------------|------|------------------------|
| | | | | | Size | Pole | |
| 666,7 | 10 | 3,4 | 4,20 | HR041 | 71C/80A | 2 | 812 |
| 664,4 | 10 | 1,6 | 4,21 | HA31 | 71C/80A | 2 | 573 |
| 640,0 | 11 | 2,7 | 1,44 | HR041 | 80C/90S | 6 | 819 |
| 635,2 | 11 | 2,4 | 1,45 | HA41 | 80C | 6 | 588 |
| 635,2 | 11 | 3,8 | 1,45 | HA51 | 80C/90S | 6 | 1622 |
| 589,5 | 11 | 1,5 | 4,75 | HA31 | 71C/80A | 2 | 597 |
| 589,5 | 11 | 2,0 | 4,75 | HA41 | 71C/80A | 2 | 603 |
| 589,5 | 11 | 3,3 | 4,75 | HA51 | 71C/80A | 2 | 1663 |
| 560,0 | 12 | 2,8 | 5,00 | HR041 | 71C/80A | 2 | 854 |
| 550,0 | 13 | 2,7 | 2,55 | HR041 | 80B | 4 | 856 |
| 549,0 | 13 | 1,5 | 2,55 | HA31 | 80B | 4 | 611 |
| 549,0 | 12 | 1,4 | 5,10 | HA31 | 71C ⁽¹⁾ | 2 | 611 |
| 526,8 | 13 | 2,6 | 2,71 | HR041 | 80B | 4 | 867 |
| 513,3 | 13 | 1,3 | 5,45 | HA31 | 71C ⁽¹⁾ | 2 | 625 |
| 513,3 | 13 | 1,7 | 5,45 | HA41 | 71C/80A | 2 | 632 |
| 513,3 | 13 | 2,9 | 5,45 | HA51 | 71C/80A | 2 | 1741 |
| 509,1 | 13 | 2,8 | 5,50 | HR041 | 71C/80A | 2 | 877 |
| 475,5 | 15 | 1,4 | 2,94 | HA31 | 80B | 4 | 641 |
| 475,5 | 15 | 1,7 | 2,94 | HA41 | 80B | 4 | 648 |
| 475,5 | 15 | 2,7 | 2,94 | HA51 | 80B | 4 | 1786 |
| 460,5 | 15 | 2,9 | 3,11 | HR041 | 80B | 4 | 900 |
| 460,0 | 15 | 1,9 | 2,00 | HR041 | 80C/90S | 6 | 900 |
| 459,7 | 15 | 2,6 | 6,09 | HR041 | 71C/80A | 2 | 903 |
| 444,4 | 15 | 1,1 | 6,30 | HA31 | 71C ⁽¹⁾ | 2 | 656 |
| 440,7 | 16 | 1,3 | 3,18 | HA31 | 80B | 4 | 657 |
| 429,6 | 15 | 3,9 | 6,52 | HA32 | 71C/80A | 2 | 928 |
| 417,0 | 17 | 1,2 | 3,36 | HA31 | 80B | 4 | 670 |
| 390,2 | 18 | 2,5 | 3,59 | HR041 | 80B | 4 | 942 |
| 369,8 | 19 | 1,1 | 3,87 | HA31 | 80B | 4 | 697 |
| 366,5 | 18 | 3,7 | 7,75 | HA61 | 80A | 2 | 2916 |
| 365,2 | 18 | 2,0 | 7,67 | HR041 | 71C/80A | 2 | 962 |
| 361,4 | 19 | 1,8 | 2,55 | HR041 | 80C/90S | 6 | 961 |
| 360,8 | 19 | 1,0 | 2,55 | HA31 | 80C | 6 | 703 |
| 355,6 | 19 | 1,6 | 7,88 | HA51 | 71C ⁽¹⁾ | 2 | 1968 |
| 345,2 | 19 | 2,9 | 8,11 | HA32 | 71C/80A | 2 | 998 |
| 338,9 | 21 | 1,7 | 2,71 | HR041 | 80C/90S | 6 | 977 |
| 334,3 | 20 | 3,7 | 8,38 | HR051 | 71C/80A | 2 | 2500 |
| 333,3 | 21 | 2,2 | 4,20 | HR041 | 80B | 4 | 982 |
| 332,2 | 21 | 1,0 | 4,21 | HA31 | 80B | 4 | 722 |
| 320,0 | 21 | 2,0 | 8,75 | HR041 | 71C/80A | 2 | 996 |
| 312,5 | 22 | 0,9 | 2,94 | HA31 | 80C | 6 | 737 |
| 312,5 | 22 | 1,2 | 2,94 | HA41 | 80C | 6 | 746 |

⁽¹⁾ Available only with brake motor (TBS)

0,75 kW

| n2 [rpm] | M2 [Nm] | fs | i | Gear reducer | Motor Size | Pole | Fr2 [N] |
|-------------|------------|-----|-------|-----------------|---------------|------|------------|
| 312,5 | 22 | 1,9 | 2,94 | HA51 | 80C/90S | 6 | 2054 |
| 296,3 | 24 | 2,0 | 3,11 | HR041 | 80C/90S | 6 | 1000 |
| 294,7 | 24 | 0,9 | 4,75 | HA31 | 80B | 4 | 752 |
| 294,7 | 24 | 1,3 | 4,75 | HA41 | 80B | 4 | 760 |
| 294,7 | 24 | 2,1 | 4,75 | HA51 | 80B | 4 | 2095 |
| 290,5 | 24 | 3,7 | 3,17 | HR051 | 80C/90S | 6 | 2500 |
| 289,6 | 24 | 0,9 | 3,18 | HA31 | 80C | 6 | 756 |
| 280,0 | 25 | 1,8 | 5,00 | HR041 | 80B | 4 | 1000 |
| 274,0 | 26 | 0,8 | 3,36 | HA31 | 80C | 6 | 770 |
| 272,4 | 26 | 3,9 | 5,25 | HR051 | 80B | 4 | 2500 |
| 266,3 | 25 | 2,1 | 10,67 | HA61 | 80A | 2 | 3243 |
| 265,8 | 26 | 3,1 | 5,38 | HA32 | 80B | 4 | 1089 |
| 262,2 | 27 | 1,1 | 5,45 | HA41 | 80B | 4 | 790 |
| 262,2 | 27 | 1,9 | 5,45 | HA51 | 80B | 4 | 2178 |
| 260,0 | 27 | 1,9 | 5,50 | HR041 | 80B | 4 | 1000 |
| 256,4 | 27 | 1,7 | 3,59 | HR041 | 80C/90S | 6 | 1000 |
| 256,0 | 26 | 2,6 | 10,94 | HA32 | 71C/80A | 2 | 1102 |
| 249,5 | 28 | 3,4 | 3,69 | HR051 | 80C/90S | 6 | 2500 |
| 240,6 | 29 | 3,5 | 5,82 | HR051 | 80B | 4 | 2500 |
| 238,1 | 28 | 3,9 | 11,76 | H032 | 71C/80A | 2 | 4028 |
| 234,8 | 30 | 1,7 | 6,09 | HR041 | 80B | 4 | 1000 |
| 230,0 | 31 | 3,1 | 4,00 | HR051 | 80C/90S | 6 | 2500 |
| 224,7 | 31 | 3,4 | 6,23 | H032 | 80B | 4 | 4083 |
| 219,0 | 32 | 1,5 | 4,20 | HR041 | 80C/90S | 6 | 1000 |
| 214,8 | 32 | 2,5 | 6,52 | HA32 | 80B | 4 | 1169 |
| 211,3 | 31 | 1,9 | 13,25 | HA32 | 71C/80A | 2 | 1175 |
| 211,3 | 31 | 3,3 | 13,25 | HA42 | 71C/80A | 2 | 2474 |
| 209,8 | 33 | 3,5 | 4,38 | HA61 | 80C/90S | 6 | 3511 |
| 204,1 | 33 | 3,9 | 13,72 | H032 | 71C/80A | 2 | 4205 |
| 195,9 | 35 | 2,8 | 4,70 | H032 | 80C/90S | 6 | 4236 |
| 195,0 | 36 | 2,8 | 7,33 | HR051 | 80B | 4 | 2500 |
| 193,7 | 36 | 0,9 | 4,75 | HA41 | 80C | 6 | 874 |
| 193,7 | 36 | 1,4 | 4,75 | HA51 | 80C/90S | 6 | 2409 |
| 192,9 | 36 | 2,7 | 4,77 | HR051 | 80C/90S | 6 | 2500 |
| 191,0 | 35 | 3,7 | 14,66 | H032 | 71C/80A | 2 | 4282 |
| 184,5 | 38 | 2,4 | 7,75 | HA61 | 80B | 4 | 3665 |
| 184,0 | 38 | 1,2 | 5,00 | HR041 | 80C/90S | 6 | 1000 |
| 182,6 | 38 | 1,3 | 7,67 | HR041 | 80B | 4 | 1000 |
| 180,4 | 38 | 3,3 | 7,76 | H032 | 80B | 4 | 4336 |
| 175,2 | 40 | 2,6 | 5,25 | HR051 | 80C/90S | 6 | 2500 |
| 172,6 | 40 | 1,9 | 8,11 | HA32 | 80B | 4 | 1257 |
| 172,6 | 40 | 3,3 | 8,11 | HA42 | 80B | 4 | 2647 |

0,75 kW

| n ₂ [rpm] | M ₂ [Nm] | f _s | i | Gear reducer | Motor Size | Pole | Fr ₂ [N] |
|-------------------------|------------------------|----------------|-------|-----------------|---------------|------|------------------------|
| 171,0 | 41 | 2,1 | 5,38 | HA32 | 80C | 6 | 1261 |
| 171,0 | 41 | 3,6 | 5,38 | HA42 | 80C/90S | 6 | 2655 |
| 169,8 | 39 | 1,5 | 16,49 | HA32 | 71C/80A | 2 | 1264 |
| 169,8 | 39 | 2,7 | 16,49 | HA42 | 71C/80A | 2 | 2661 |
| 168,7 | 42 | 1,3 | 5,45 | HA51 | 80C/90S | 6 | 2523 |
| 167,3 | 42 | 1,3 | 5,50 | HR041 | 80C/90S | 6 | 1000 |
| 167,2 | 42 | 2,4 | 8,38 | HR051 | 80B | 4 | 2500 |
| 167,0 | 40 | 3,6 | 16,77 | H032 | 71C/80A | 2 | 4441 |
| 163,4 | 43 | 1,3 | 8,75 | HR041 | 80B | 4 | 1000 |
| 158,1 | 44 | 2,4 | 5,82 | HR051 | 80C/90S | 6 | 2500 |
| 157,9 | 44 | 3,0 | 8,87 | H032 | 80B | 4 | 4492 |
| 153,8 | 43 | 3,5 | 18,20 | H032 | 71C/80A | 2 | 4539 |
| 151,0 | 46 | 1,1 | 6,09 | HR041 | 80C/90S | 6 | 1000 |
| 147,7 | 47 | 2,3 | 6,23 | H032 | 80C/90S | 6 | 4566 |
| 141,2 | 49 | 1,7 | 6,52 | HA32 | 80C | 6 | 1344 |
| 141,2 | 49 | 3,0 | 6,52 | HA42 | 80C/90S | 6 | 2830 |
| 140,7 | 47 | 3,2 | 19,90 | H032 | 71C/80A | 2 | 4646 |
| 138,2 | 48 | 1,4 | 20,26 | HA32 | 71C/80A | 2 | 1354 |
| 138,2 | 48 | 2,3 | 20,26 | HA42 | 71C/80A | 2 | 2850 |
| 138,0 | 50 | 2,8 | 10,14 | H032 | 80B | 4 | 4651 |
| 133,3 | 50 | 3,8 | 21,00 | H042 | 71C/80A | 2 | 6087 |
| 131,3 | 53 | 1,3 | 10,67 | HA61 | 80B | 4 | 4106 |
| 128,0 | 54 | 3,1 | 7,19 | H042 | 80C/90S | 6 | 6138 |
| 128,0 | 54 | 1,7 | 10,94 | HA32 | 80B | 4 | 1389 |
| 128,0 | 54 | 2,8 | 10,94 | HA42 | 80B | 4 | 2924 |
| 125,5 | 56 | 1,9 | 7,33 | HR051 | 80C/90S | 6 | 2500 |
| 125,5 | 56 | 3,2 | 7,33 | HR061 | 80C/90S | 6 | 3700 |
| 123,5 | 54 | 2,8 | 22,68 | H032 | 71C/80A | 2 | 4804 |
| 122,6 | 57 | 0,9 | 7,67 | HR041 | 90S | 6 | 1000 |
| 121,0 | 55 | 3,6 | 23,15 | H042 | 71C/80A | 2 | 6257 |
| 119,0 | 58 | 2,5 | 11,76 | H032 | 80B | 4 | 4827 |
| 118,7 | 59 | 1,6 | 7,75 | HA61 | 80C/90S | 6 | 4245 |
| 118,5 | 59 | 2,2 | 7,76 | H032 | 80C/90S | 6 | 4826 |
| 117,5 | 56 | 2,7 | 23,83 | H032 | 71C/80A | 2 | 4864 |
| 114,1 | 58 | 1,1 | 24,55 | HA32 | 71C/80A | 2 | 1443 |
| 114,1 | 58 | 2,0 | 24,55 | HA42 | 71C/80A | 2 | 3038 |
| 113,4 | 61 | 1,3 | 8,11 | HA32 | 80C | 6 | 1446 |
| 113,4 | 61 | 2,2 | 8,11 | HA42 | 80C/90S | 6 | 3044 |
| 110,5 | 60 | 3,5 | 25,43 | HA52 | 80A | 2 | 3839 |
| 109,9 | 64 | 1,6 | 8,38 | HR051 | 80C/90S | 6 | 2500 |
| 109,9 | 64 | 2,8 | 8,38 | HR061 | 80C/90S | 6 | 3700 |
| 107,5 | 62 | 3,2 | 26,04 | H042 | 71C/80A | 2 | 6466 |

0,75 kW

| n ₂ [rpm] | M ₂ [Nm] | f _s | i | Gear reducer | Motor | | Fr ₂ [N] |
|-------------------------|------------------------|----------------|-------|-----------------|--------------------|------|------------------------|
| | | | | | Size | Pole | |
| 106,1 | 63 | 2,4 | 26,39 | H032 | 71C/80A | 2 | 4987 |
| 105,7 | 65 | 1,2 | 13,25 | HA32 | 80B | 4 | 1481 |
| 105,7 | 65 | 2,2 | 13,25 | HA42 | 80B | 4 | 3117 |
| 103,8 | 67 | 2,0 | 8,87 | H032 | 80C/90S | 6 | 4983 |
| 103,2 | 67 | 3,3 | 8,91 | H042 | 80C/90S | 6 | 6515 |
| 103,2 | 67 | 3,8 | 13,57 | H042 | 80B | 4 | 6521 |
| 102,0 | 67 | 2,5 | 13,72 | H032 | 80B | 4 | 5010 |
| 101,8 | 65 | 3,2 | 27,50 | H042 | 71C/80A | 2 | 6564 |
| 96,6 | 71 | 3,9 | 14,50 | HA52 | 80B ⁽¹⁾ | 4 | 4015 |
| 95,5 | 72 | 2,4 | 14,66 | H032 | 80B | 4 | 5088 |
| 94,3 | 70 | 2,1 | 29,70 | H032 | 71C/80A | 2 | 5130 |
| 94,0 | 71 | 3,2 | 29,89 | HA52 | 80A | 2 | 4051 |
| 91,9 | 72 | 2,9 | 30,45 | H042 | 71C/80A | 2 | 6600 |
| 91,7 | 72 | 1,5 | 30,55 | HA42 | 71C/80A | 2 | 3268 |
| 90,7 | 77 | 1,9 | 10,14 | H032 | 80C/90S | 6 | 5141 |
| 89,2 | 78 | 3,2 | 10,31 | H042 | 80C/90S | 6 | 6600 |
| 87,7 | 78 | 3,2 | 15,96 | H042 | 80B | 4 | 6600 |
| 86,3 | 81 | 0,9 | 10,67 | HA61 | 80C/90S | 6 | 4500 |
| 85,1 | 78 | 1,9 | 32,89 | H032 | 71C/80A | 2 | 5252 |
| 84,9 | 81 | 1,0 | 16,49 | HA32 | 80B | 4 | 1593 |
| 84,9 | 81 | 1,7 | 16,49 | HA42 | 80B | 4 | 3353 |
| 84,1 | 83 | 1,1 | 10,94 | HA32 | 80C | 6 | 1597 |
| 84,1 | 83 | 1,9 | 10,94 | HA42 | 80C/90S | 6 | 3363 |
| 83,5 | 82 | 2,3 | 16,77 | H032 | 80B | 4 | 5245 |
| 82,8 | 83 | 3,6 | 16,91 | HA52 | 80B | 4 | 4227 |
| 82,1 | 81 | 2,6 | 34,10 | H042 | 71C/80A | 2 | 6600 |
| 79,0 | 84 | 1,3 | 35,44 | HA42 | 71C ⁽¹⁾ | 2 | 3434 |
| 78,9 | 88 | 3,3 | 11,67 | HA52 | 80C/90S | 6 | 4295 |
| 78,2 | 89 | 1,7 | 11,76 | H032 | 80C/90S | 6 | 5311 |
| 78,0 | 89 | 2,9 | 11,80 | H042 | 80C/90S | 6 | 6600 |
| 77,7 | 85 | 2,6 | 36,17 | HA52 | 80A | 2 | 4317 |
| 76,9 | 89 | 2,2 | 18,20 | H032 | 80B | 4 | 5339 |
| 74,1 | 89 | 2,3 | 37,76 | H042 | 71C/80A | 2 | 6600 |
| 73,8 | 90 | 1,7 | 37,92 | H032 | 71C/80A | 2 | 5419 |
| 73,7 | 93 | 2,7 | 19,00 | H042 | 80B | 4 | 6600 |
| 71,8 | 92 | 4,0 | 38,98 | H052 | 71C/80A | 2 | 8000 |
| 70,4 | 98 | 2,0 | 19,90 | H032 | 80B | 4 | 5440 |
| 69,4 | 100 | 0,8 | 13,25 | HA32 | 80C | 6 | 1703 |
| 69,4 | 100 | 1,5 | 13,25 | HA42 | 80C/90S | 6 | 3585 |
| 69,1 | 100 | 0,9 | 20,26 | HA32 | 80B | 4 | 1706 |
| 69,1 | 100 | 1,5 | 20,26 | HA42 | 80B | 4 | 3591 |
| 68,4 | 100 | 2,9 | 20,46 | HA52 | 80B | 4 | 4504 |

⁽¹⁾ Available only with brake motor (TBS)

0,75 kW

| n ₂ [rpm] | M ₂ [Nm] | f _s | i | Gear reducer | Motor | | Fr ₂ [N] |
|-------------------------|------------------------|----------------|-------|-----------------|--------------------|------|------------------------|
| | | | | | Size | Pole | |
| 67,8 | 102 | 2,6 | 13,57 | H042 | 80C/90S | 6 | 6600 |
| 67,6 | 98 | 1,5 | 41,40 | H032 | 71C/80A | 2 | 5500 |
| 67,1 | 104 | 1,7 | 13,72 | H032 | 80C/90S | 6 | 5482 |
| 66,7 | 103 | 2,4 | 21,00 | H042 | 80B | 4 | 6600 |
| 64,0 | 104 | 2,0 | 43,75 | H042 | 71C/80A | 2 | 6600 |
| 63,5 | 105 | 1,0 | 44,10 | HA42 | 71C ⁽¹⁾ | 2 | 3694 |
| 63,4 | 109 | 2,7 | 14,50 | HA52 | 80C/90S | 6 | 4618 |
| 62,8 | 111 | 1,6 | 14,66 | H032 | 80C/90S | 6 | 5500 |
| 62,5 | 106 | 2,0 | 44,95 | HA52 | 80A | 2 | 4641 |
| 62,5 | 106 | 3,1 | 44,95 | HA62 | 80A | 2 | 6850 |
| 61,7 | 111 | 1,8 | 22,68 | H032 | 80B | 4 | 5500 |
| 61,7 | 108 | 3,4 | 45,36 | H052 | 71C/80A | 2 | 8000 |
| 60,5 | 114 | 2,3 | 23,15 | H042 | 80B | 4 | 6600 |
| 59,3 | 112 | 1,3 | 47,25 | H032 | 71C/80A | 2 | 5500 |
| 58,9 | 113 | 1,9 | 47,53 | H042 | 71C/80A | 2 | 6600 |
| 58,7 | 117 | 1,7 | 23,83 | H032 | 80B | 4 | 5500 |
| 57,6 | 120 | 2,2 | 15,96 | H042 | 80C/90S | 6 | 6600 |
| 57,0 | 116 | 3,2 | 49,13 | H052 | 71C/80A | 2 | 8000 |
| 57,0 | 121 | 1,3 | 24,55 | HA42 | 80B | 4 | 3828 |
| 56,7 | 121 | 3,9 | 24,71 | H052 | 80B | 4 | 8000 |
| 56,5 | 118 | 1,9 | 49,78 | HA52 | 80A | 2 | 4802 |
| 56,5 | 118 | 2,4 | 49,78 | HA62 | 80A | 2 | 7087 |
| 56,2 | 116 | 1,9 | 49,80 | HA53 | 71C/80A | 2 | 4808 |
| 56,2 | 116 | 3,1 | 49,80 | HA63 | 71C/80A | 2 | 7097 |
| 55,8 | 124 | 1,2 | 16,49 | HA42 | 80C/90S | 6 | 3856 |
| 55,4 | 125 | 3,8 | 16,59 | H052 | 80C/90S | 6 | 8000 |
| 55,1 | 125 | 2,2 | 25,43 | HA52 | 80B | 4 | 4842 |
| 55,1 | 125 | 3,4 | 25,43 | HA62 | 80B | 4 | 7147 |
| 54,9 | 127 | 1,6 | 16,77 | H032 | 80C/90S | 6 | 5500 |
| 54,4 | 128 | 2,5 | 16,91 | HA52 | 80C/90S | 6 | 4861 |
| 53,8 | 128 | 2,0 | 26,04 | H042 | 80B | 4 | 6600 |
| 53,5 | 129 | 3,8 | 26,18 | H052 | 80B | 4 | 8000 |
| 53,0 | 130 | 1,5 | 26,39 | H032 | 80B | 4 | 5500 |
| 52,2 | 124 | 1,2 | 53,59 | H033 | 71C/80A | 2 | 5500 |
| 51,6 | 129 | 1,6 | 54,25 | H042 | 71C/80A | 2 | 6600 |
| 51,1 | 136 | 3,6 | 18,00 | H052 | 80C/90S | 6 | 8000 |
| 50,9 | 135 | 2,1 | 27,50 | H042 | 80B | 4 | 6600 |
| 50,5 | 137 | 1,5 | 18,20 | H032 | 80C/90S | 6 | 5500 |
| 49,9 | 133 | 2,8 | 56,11 | H052 | 71C/80A | 2 | 8000 |
| 49,2 | 140 | 3,5 | 28,44 | H052 | 80B | 4 | 8000 |
| 48,4 | 143 | 1,8 | 19,00 | H042 | 80C/90S | 6 | 6600 |
| 47,6 | 136 | 2,7 | 58,81 | H053 | 71C/80A | 2 | 8000 |

⁽¹⁾ Available only with brake motor (TBS)

0,75 kW

| n ₂ [rpm] | M ₂ [Nm] | f _s | i | Gear reducer | Motor Size | Pole | Fr ₂ [N] |
|-------------------------|------------------------|----------------|-------|-----------------|---------------|------|------------------------|
| 47,1 | 146 | 1,4 | 29,70 | H032 | 80B | 4 | 5500 |
| 46,8 | 147 | 2,0 | 29,89 | HA52 | 80B | 4 | 5110 |
| 46,8 | 147 | 3,1 | 29,89 | HA62 | 80B | 4 | 7543 |
| 46,5 | 140 | 1,6 | 60,25 | HA53 | 71C/80A | 2 | 5123 |
| 46,5 | 140 | 2,6 | 60,25 | HA63 | 71C/80A | 2 | 7562 |
| 46,2 | 150 | 1,4 | 19,90 | H032 | 80C/90S | 6 | 5500 |
| 46,1 | 151 | 3,2 | 19,97 | H052 | 80C/90S | 6 | 8000 |
| 46,0 | 150 | 1,9 | 30,45 | H042 | 80B | 4 | 6600 |
| 45,8 | 150 | 0,9 | 30,55 | HA42 | 80B | 4 | 4118 |
| 45,4 | 153 | 1,0 | 20,26 | HA42 | 80C/90S | 6 | 4130 |
| 45,4 | 146 | 1,5 | 61,87 | HA52 | 80A | 2 | 5163 |
| 45,4 | 146 | 2,3 | 61,87 | HA62 | 80A | 2 | 7620 |
| 45,3 | 143 | 1,6 | 61,83 | H043 | 71C/80A | 2 | 6600 |
| 45,0 | 154 | 2,0 | 20,46 | HA52 | 80C/90S | 6 | 5180 |
| 45,0 | 154 | 3,1 | 20,46 | HA62 | 80C/90S | 6 | 7646 |
| 44,4 | 155 | 3,2 | 31,52 | H052 | 80B | 4 | 8000 |
| 43,8 | 159 | 1,7 | 21,00 | H042 | 80C/90S | 6 | 6600 |
| 42,6 | 162 | 1,2 | 32,89 | H032 | 80B | 4 | 5500 |
| 42,5 | 164 | 3,0 | 21,67 | H052 | 80C/90S | 6 | 8000 |
| 42,4 | 162 | 3,0 | 33,00 | H052 | 80B | 4 | 8000 |
| 41,1 | 167 | 1,7 | 34,10 | H042 | 80B | 4 | 6600 |
| 40,6 | 171 | 1,2 | 22,68 | H032 | 80C/90S | 6 | 5500 |
| 39,7 | 175 | 1,6 | 23,15 | H042 | 80C/90S | 6 | 6600 |
| 38,7 | 178 | 1,7 | 36,17 | HA52 | 80B | 4 | 5445 |
| 38,7 | 178 | 2,6 | 36,17 | HA62 | 80B | 4 | 8000 |
| 38,6 | 180 | 1,2 | 23,83 | H032 | 80C/90S | 6 | 5500 |
| 38,5 | 169 | 2,2 | 72,75 | H053 | 71C/80A | 2 | 8000 |
| 37,5 | 185 | 0,9 | 24,55 | HA42 | 80C/90S | 6 | 4300 |
| 37,4 | 174 | 1,3 | 74,88 | HA53 | 71C/80A | 2 | 5508 |
| 37,4 | 174 | 2,1 | 74,88 | HA63 | 71C/80A | 2 | 8000 |
| 37,2 | 186 | 2,6 | 24,71 | H052 | 80C/90S | 6 | 8000 |
| 37,1 | 185 | 1,5 | 37,76 | H042 | 80B | 4 | 6600 |
| 36,9 | 186 | 1,1 | 37,92 | H032 | 80B | 4 | 5500 |
| 36,5 | 178 | 1,3 | 76,67 | H043 | 71C/80A | 2 | 6600 |
| 36,2 | 192 | 1,5 | 25,43 | HA52 | 80C/90S | 6 | 5570 |
| 36,2 | 192 | 2,4 | 25,43 | HA62 | 80C/90S | 6 | 8000 |
| 35,9 | 191 | 2,6 | 38,98 | H052 | 80B | 4 | 8000 |
| 35,3 | 197 | 1,4 | 26,04 | H042 | 80C/90S | 6 | 6600 |
| 35,1 | 198 | 2,6 | 26,18 | H052 | 80C/90S | 6 | 8000 |
| 34,9 | 199 | 1,1 | 26,39 | H032 | 80C/90S | 6 | 5500 |
| 33,8 | 203 | 1,0 | 41,40 | H032 | 80B | 4 | 5500 |
| 33,5 | 208 | 1,4 | 27,50 | H042 | 80C/90S | 6 | 6600 |

0,75 kW

| n ₂ [rpm] | M ₂ [Nm] | f _s | i | Gear reducer | Motor | | Fr ₂ [N] |
|-------------------------|------------------------|----------------|--------|-----------------|---------|------|------------------------|
| | | | | | Size | Pole | |
| 32,6 | 199 | 3,2 | 85,82 | H063 | 71C/80A | 2 | 12000 |
| 32,4 | 215 | 2,4 | 28,44 | H052 | 80C/90S | 6 | 8000 |
| 32,2 | 202 | 1,1 | 87,05 | H043 | 71C/80A | 2 | 6600 |
| 32,0 | 215 | 1,3 | 43,75 | H042 | 80B | 4 | 6600 |
| 31,8 | 204 | 1,1 | 88,02 | HA53 | 71C/80A | 2 | 5813 |
| 31,8 | 204 | 1,8 | 88,02 | HA63 | 71C/80A | 2 | 8000 |
| 31,4 | 221 | 3,8 | 29,33 | H062 | 80C/90S | 6 | 12000 |
| 31,1 | 221 | 1,3 | 44,95 | HA52 | 80B | 4 | 5855 |
| 31,1 | 221 | 2,0 | 44,95 | HA62 | 80B | 4 | 8000 |
| 31,0 | 224 | 0,9 | 29,70 | H032 | 80C/90S | 6 | 5500 |
| 30,9 | 223 | 2,2 | 45,36 | H052 | 80B | 4 | 8000 |
| 30,9 | 210 | 1,8 | 90,51 | H053 | 71C/80A | 2 | 8000 |
| 30,8 | 226 | 1,4 | 29,89 | HA52 | 80C/90S | 6 | 5878 |
| 30,8 | 226 | 2,1 | 29,89 | HA62 | 80C/90S | 6 | 8000 |
| 30,4 | 226 | 3,8 | 46,06 | H062 | 80B | 4 | 12000 |
| 30,2 | 230 | 1,3 | 30,45 | H042 | 80C/90S | 6 | 6600 |
| 29,5 | 233 | 1,2 | 47,53 | H042 | 80B | 4 | 6600 |
| 29,5 | 220 | 2,9 | 94,76 | H063 | 71C/80A | 2 | 12000 |
| 29,2 | 238 | 2,2 | 31,52 | H052 | 80C/90S | 6 | 8000 |
| 28,8 | 242 | 3,7 | 32,00 | H062 | 80C/90S | 6 | 12000 |
| 28,5 | 241 | 2,0 | 49,13 | H052 | 80B | 4 | 8000 |
| 28,1 | 244 | 1,2 | 49,78 | HA52 | 80B | 4 | 6000 |
| 28,1 | 239 | 1,3 | 49,80 | HA53 | 80B | 4 | 6000 |
| 28,1 | 244 | 1,5 | 49,78 | HA62 | 80B | 4 | 8000 |
| 28,1 | 239 | 2,0 | 49,80 | HA63 | 80B | 4 | 8000 |
| 27,9 | 249 | 2,1 | 33,00 | H052 | 80C/90S | 6 | 8000 |
| 27,0 | 257 | 1,1 | 34,10 | H042 | 80C/90S | 6 | 6600 |
| 25,8 | 266 | 1,1 | 54,25 | H042 | 80B | 4 | 6600 |
| 25,7 | 253 | 1,5 | 108,95 | H053 | 71C/80A | 2 | 8000 |
| 25,4 | 273 | 1,2 | 36,17 | HA52 | 80C/90S | 6 | 6000 |
| 25,4 | 273 | 1,8 | 36,17 | HA62 | 80C/90S | 6 | 8000 |
| 25,1 | 259 | 0,9 | 111,61 | HA53 | 71C/80A | 2 | 6000 |
| 25,1 | 259 | 1,4 | 111,61 | HA63 | 71C/80A | 2 | 8000 |
| 24,9 | 276 | 1,8 | 56,11 | H052 | 80B | 4 | 8000 |
| 24,9 | 279 | 3,0 | 36,99 | H062 | 80C/90S | 6 | 12000 |
| 24,4 | 285 | 1,0 | 37,76 | H042 | 80C/90S | 6 | 6600 |
| 23,8 | 283 | 1,8 | 58,81 | H053 | 80B | 4 | 8000 |
| 23,7 | 274 | 2,3 | 118,00 | H063 | 71C/80A | 2 | 12000 |
| 23,6 | 294 | 1,7 | 38,98 | H052 | 80C/90S | 6 | 8000 |
| 23,2 | 290 | 1,0 | 60,25 | HA53 | 80B | 4 | 6000 |
| 23,2 | 290 | 1,7 | 60,25 | HA63 | 80B | 4 | 8000 |
| 22,8 | 304 | 2,9 | 40,33 | H062 | 80C/90S | 6 | 12000 |

0,75 kW

| n2 [rpm] | M2 [Nm] | fs | i | Gear reducer | Motor Size | Pole | Fr2 [N] |
|-------------|------------|-----|--------|-----------------|--------------------|------|------------|
| 22,6 | 297 | 1,0 | 61,83 | H043 | 80B | 4 | 6600 |
| 22,6 | 304 | 1,0 | 61,87 | HA52 | 80B | 4 | 6000 |
| 22,6 | 304 | 1,4 | 61,87 | HA62 | 80B | 4 | 8000 |
| 21,5 | 323 | 0,9 | 43,75 | H042 | 90S | 6 | 6600 |
| 20,8 | 313 | 1,2 | 134,76 | H053 | 71C/80A | 2 | 8000 |
| 20,7 | 314 | 2,0 | 135,40 | H063 | 71C/80A | 2 | 12000 |
| 20,5 | 339 | 0,9 | 44,95 | HA52 | 80C/90S | 6 | 6000 |
| 20,5 | 339 | 1,4 | 44,95 | HA62 | 80C/90S | 6 | 8000 |
| 20,3 | 342 | 1,5 | 45,36 | H052 | 80C/90S | 6 | 8000 |
| 20,2 | 322 | 1,1 | 138,71 | HA63 | 71C/80A | 2 | 8000 |
| 20,0 | 348 | 2,6 | 46,06 | H062 | 80C/90S | 6 | 12000 |
| 19,2 | 350 | 1,4 | 72,75 | H053 | 80B | 4 | 8000 |
| 18,7 | 371 | 1,4 | 49,13 | H052 | 80C/90S | 6 | 8000 |
| 18,7 | 347 | 1,8 | 149,51 | H063 | 71C/80A | 2 | 12000 |
| 18,7 | 360 | 0,8 | 74,88 | HA53 | 80B | 4 | 6000 |
| 18,7 | 360 | 1,3 | 74,88 | HA63 | 80B | 4 | 8000 |
| 18,6 | 366 | 2,4 | 49,45 | H063 | 90S | 6 | 12000 |
| 18,5 | 376 | 0,8 | 49,78 | HA52 | 80C/90S | 6 | 6000 |
| 18,5 | 368 | 0,9 | 49,80 | HA53 | 80C/90S | 6 | 6000 |
| 18,5 | 376 | 1,0 | 49,78 | HA62 | 80C/90S | 6 | 8000 |
| 18,5 | 368 | 1,4 | 49,80 | HA63 | 80C/90S | 6 | 8000 |
| 18,2 | 358 | 3,8 | 154,76 | H083 | 80A | 2 | 18000 |
| 17,8 | 365 | 1,0 | 157,29 | H053 | 71C ⁽¹⁾ | 2 | 8000 |
| 17,3 | 375 | 3,6 | 162,35 | H083 | 80A | 2 | 18000 |
| 16,8 | 404 | 2,2 | 54,61 | H063 | 90S | 6 | 12000 |
| 16,4 | 424 | 1,2 | 56,11 | H052 | 80C/90S | 6 | 8000 |
| 16,4 | 396 | 1,6 | 170,67 | H063 | 71C/80A | 2 | 12000 |
| 16,3 | 413 | 2,1 | 85,82 | H063 | 80B | 4 | 12000 |
| 15,9 | 423 | 1,1 | 88,02 | HA63 | 80B | 4 | 8000 |
| 15,7 | 414 | 3,3 | 179,13 | H083 | 80A | 2 | 18000 |
| 15,6 | 435 | 1,2 | 58,81 | H053 | 80C/90S | 6 | 8000 |
| 15,5 | 435 | 1,1 | 90,51 | H053 | 80B | 4 | 8000 |
| 15,3 | 445 | 1,1 | 60,25 | HA63 | 80C/90S | 6 | 8000 |
| 15,0 | 432 | 1,5 | 186,18 | H063 | 71C/80A | 2 | 12000 |
| 14,9 | 467 | 1,0 | 61,87 | HA62 | 80C/90S | 6 | 8000 |
| 14,8 | 456 | 1,9 | 94,76 | H063 | 80B | 4 | 12000 |
| 14,4 | 451 | 3,0 | 195,07 | H083 | 80A | 2 | 18000 |
| 14,3 | 472 | 3,8 | 98,09 | H083 | 80B | 4 | 18000 |
| 13,5 | 503 | 1,8 | 68,00 | H063 | 90S | 6 | 12000 |
| 13,0 | 499 | 1,3 | 215,21 | H063 | 71C/80A | 2 | 12000 |
| 12,9 | 524 | 1,0 | 108,95 | H053 | 80B | 4 | 8000 |
| 12,9 | 528 | 3,6 | 71,48 | H083 | 80C/90S | 6 | 18000 |

⁽¹⁾ Available only with brake motor (TBS)

0,75 kW

| n2 [rpm] | M2 [Nm] | fs | i | Gear reducer | Motor Size | Pole | Fr2 [N] |
|-------------|------------|-----|--------|-----------------|---------------|------|------------|
| 12,6 | 538 | 1,0 | 72,75 | H053 | 80C/90S | 6 | 8000 |
| 12,6 | 515 | 2,6 | 222,78 | H083 | 80A | 2 | 18000 |
| 12,5 | 537 | 0,9 | 111,61 | HA63 | 80B | 4 | 8000 |
| 12,4 | 542 | 3,3 | 112,78 | H083 | 80B | 4 | 18000 |
| 12,3 | 553 | 0,9 | 74,88 | HA63 | 80C/90S | 6 | 8000 |
| 11,9 | 567 | 1,5 | 118,00 | H063 | 80B | 4 | 12000 |
| 11,9 | 545 | 1,2 | 234,67 | H063 | 71C/80A | 2 | 12000 |
| 11,7 | 583 | 3,2 | 78,87 | H083 | 80C/90S | 6 | 18000 |
| 11,3 | 598 | 3,0 | 124,44 | H083 | 80B | 4 | 18000 |
| 10,8 | 632 | 3,0 | 85,56 | H083 | 80C/90S | 6 | 18000 |
| 10,7 | 634 | 1,4 | 85,82 | H063 | 80C/90S | 6 | 12000 |
| 10,3 | 651 | 1,3 | 135,40 | H063 | 80B | 4 | 12000 |
| 9,8 | 684 | 2,6 | 142,15 | H083 | 80B | 4 | 18000 |
| 9,7 | 700 | 1,3 | 94,76 | H063 | 80C/90S | 6 | 12000 |
| 9,4 | 719 | 1,2 | 149,51 | H063 | 80B | 4 | 12000 |
| 9,4 | 725 | 2,6 | 98,09 | H083 | 80C/90S | 6 | 18000 |
| 9,0 | 744 | 2,4 | 154,76 | H083 | 80B | 4 | 18000 |
| 8,6 | 781 | 2,3 | 162,35 | H083 | 80B | 4 | 18000 |
| 8,2 | 821 | 1,0 | 170,67 | H063 | 80B | 4 | 12000 |
| 8,2 | 834 | 2,3 | 112,78 | H083 | 80C/90S | 6 | 18000 |
| 7,8 | 872 | 1,0 | 118,00 | H063 | 80C/90S | 6 | 12000 |
| 7,8 | 861 | 2,1 | 179,13 | H083 | 80B | 4 | 18000 |
| 7,5 | 895 | 0,9 | 186,18 | H063 | 80B | 4 | 12000 |
| 7,4 | 920 | 2,1 | 124,44 | H083 | 80C/90S | 6 | 18000 |
| 7,2 | 938 | 1,9 | 195,07 | H083 | 80B | 4 | 18000 |
| 6,9 | 980 | 0,9 | 135,40 | H063 | 90S | 6 | 12000 |
| 6,5 | 1051 | 1,8 | 142,15 | H083 | 80C/90S | 6 | 18000 |
| 6,4 | 1060 | 3,5 | 143,42 | H103 | 90S | 6 | 22000 |
| 6,3 | 1071 | 1,7 | 222,78 | H083 | 80B | 4 | 18000 |
| 5,9 | 1144 | 1,7 | 154,76 | H083 | 80C/90S | 6 | 18000 |
| 5,7 | 1200 | 1,6 | 162,35 | H083 | 80C/90S | 6 | 18000 |
| 5,7 | 1189 | 3,1 | 160,82 | H103 | 90S | 6 | 22000 |
| 5,1 | 1324 | 1,4 | 179,13 | H083 | 80C/90S | 6 | 18000 |
| 5,1 | 1338 | 2,7 | 181,07 | H103 | 90S | 6 | 22000 |
| 4,7 | 1442 | 1,3 | 195,07 | H083 | 80C/90S | 6 | 18000 |
| 4,7 | 1435 | 2,6 | 194,21 | H103 | 90S | 6 | 22000 |
| 4,3 | 1593 | 2,3 | 215,45 | H103 | 90S | 6 | 22000 |
| 4,1 | 1647 | 1,1 | 222,78 | H083 | 80C/90S | 6 | 18000 |
| 3,8 | 1793 | 2,1 | 242,59 | H103 | 90S | 6 | 22000 |

0,92 kW

| n2 [rpm] | M2 [Nm] | fs | i | Gear reducer | Size | Motor Pole | Fr2 [N] |
|-------------|------------|-----|------|-----------------|--------------------|---------------|------------|
| 973,9 | 9 | 3,2 | 1,44 | HR041 | 80C ⁽¹⁾ | 4 | 717 |
| 966,7 | 9 | 2,8 | 1,45 | HA41 | 80C ⁽¹⁾ | 4 | 512 |
| 700,0 | 12 | 2,3 | 2,00 | HR041 | 80C ⁽¹⁾ | 4 | 788 |
| 550,0 | 15 | 2,2 | 2,55 | HR041 | 80C ⁽¹⁾ | 4 | 843 |
| 549,0 | 16 | 1,2 | 2,55 | HA31 | 80C ⁽¹⁾ | 4 | 611 |
| 515,8 | 17 | 2,1 | 2,71 | HR041 | 80C ⁽¹⁾ | 4 | 858 |
| 475,5 | 18 | 1,1 | 2,94 | HA31 | 80C ⁽¹⁾ | 4 | 641 |
| 475,5 | 18 | 1,4 | 2,94 | HA41 | 80C ⁽¹⁾ | 4 | 648 |
| 475,5 | 18 | 2,2 | 2,94 | HA51 | 80C ⁽¹⁾ | 4 | 1786 |
| 450,8 | 19 | 2,3 | 3,11 | HR041 | 80C ⁽¹⁾ | 4 | 889 |
| 440,7 | 19 | 1,0 | 3,18 | HA31 | 80C ⁽¹⁾ | 4 | 657 |
| 417,0 | 20 | 1,0 | 3,36 | HA31 | 80C ⁽¹⁾ | 4 | 670 |
| 390,2 | 22 | 2,1 | 3,59 | HR041 | 80C ⁽¹⁾ | 4 | 923 |
| 362,1 | 24 | 0,9 | 3,87 | HA31 | 80C ⁽¹⁾ | 4 | 702 |
| 350,0 | 24 | 3,7 | 4,00 | HR051 | 80C ⁽¹⁾ | 4 | 2500 |
| 333,3 | 26 | 1,8 | 4,20 | HR041 | 80C ⁽¹⁾ | 4 | 960 |
| 332,2 | 26 | 0,8 | 4,21 | HA31 | 80C ⁽¹⁾ | 4 | 722 |
| 298,1 | 28 | 3,4 | 4,70 | H032 | 80C ⁽¹⁾ | 4 | 3715 |
| 294,7 | 29 | 1,0 | 4,75 | HA41 | 80C ⁽¹⁾ | 4 | 760 |
| 294,7 | 29 | 1,7 | 4,75 | HA51 | 80C ⁽¹⁾ | 4 | 2095 |
| 293,5 | 29 | 3,3 | 4,77 | HR051 | 80C ⁽¹⁾ | 4 | 2500 |
| 280,0 | 30 | 1,5 | 5,00 | HR041 | 80C ⁽¹⁾ | 4 | 1000 |
| 266,7 | 32 | 3,1 | 5,25 | HR051 | 80C ⁽¹⁾ | 4 | 2500 |
| 260,3 | 32 | 2,5 | 5,38 | HA32 | 80C ⁽¹⁾ | 4 | 1096 |
| 256,7 | 33 | 0,9 | 5,45 | HA41 | 80C ⁽¹⁾ | 4 | 796 |
| 256,7 | 33 | 1,5 | 5,45 | HA51 | 80C ⁽¹⁾ | 4 | 2194 |
| 254,5 | 33 | 1,5 | 5,50 | HR041 | 80C ⁽¹⁾ | 4 | 1000 |
| 240,6 | 35 | 2,8 | 5,82 | HR051 | 80C ⁽¹⁾ | 4 | 2500 |
| 229,9 | 37 | 1,3 | 6,09 | HR041 | 80C ⁽¹⁾ | 4 | 1000 |
| 224,7 | 38 | 2,8 | 6,23 | H032 | 80C ⁽¹⁾ | 4 | 4010 |
| 214,8 | 39 | 2,0 | 6,52 | HA32 | 80C ⁽¹⁾ | 4 | 1169 |
| 214,8 | 39 | 3,6 | 6,52 | HA42 | 80C ⁽¹⁾ | 4 | 2461 |
| 194,8 | 43 | 3,7 | 7,19 | H042 | 80C ⁽¹⁾ | 4 | 5376 |
| 190,9 | 45 | 2,2 | 7,33 | HR051 | 80C ⁽¹⁾ | 4 | 2500 |
| 190,9 | 45 | 3,8 | 7,33 | HR061 | 80C ⁽¹⁾ | 4 | 3700 |
| 182,6 | 47 | 1,1 | 7,67 | HR041 | 80C ⁽¹⁾ | 4 | 1000 |
| 180,6 | 47 | 1,9 | 7,75 | HA61 | 80C ⁽¹⁾ | 4 | 3691 |
| 180,4 | 47 | 2,7 | 7,76 | H032 | 80C ⁽¹⁾ | 4 | 4246 |
| 172,6 | 49 | 1,5 | 8,11 | HA32 | 80C ⁽¹⁾ | 4 | 1257 |
| 172,6 | 49 | 2,7 | 8,11 | HA42 | 80C ⁽¹⁾ | 4 | 2647 |
| 167,2 | 51 | 2,0 | 8,38 | HR051 | 80C ⁽¹⁾ | 4 | 2500 |
| 167,2 | 51 | 3,3 | 8,38 | HR061 | 80C ⁽¹⁾ | 4 | 3700 |

⁽¹⁾ Available only with brake motor (TBS)

0,92 kW

| n2 [rpm] | M2 [Nm] | fs | i | Gear reducer | Size | Motor Pole | Fr2 [N] |
|-------------|------------|-----|-------|-----------------|--------------------|---------------|------------|
| 160,0 | 53 | 1,0 | 8,75 | HR041 | 80C ⁽¹⁾ | 4 | 1000 |
| 157,9 | 53 | 2,4 | 8,87 | H032 | 80C ⁽¹⁾ | 4 | 4389 |
| 157,1 | 54 | 3,9 | 8,91 | H042 | 80C ⁽¹⁾ | 4 | 5712 |
| 138,0 | 61 | 2,3 | 10,14 | H032 | 80C ⁽¹⁾ | 4 | 4533 |
| 135,7 | 62 | 3,9 | 10,31 | H042 | 80C ⁽¹⁾ | 4 | 5946 |
| 131,3 | 65 | 1,1 | 10,67 | HA61 | 80C ⁽¹⁾ | 4 | 4106 |
| 128,0 | 66 | 1,4 | 10,94 | HA32 | 80C ⁽¹⁾ | 4 | 1389 |
| 128,0 | 66 | 2,3 | 10,94 | HA42 | 80C ⁽¹⁾ | 4 | 2924 |
| 120,0 | 70 | 4,0 | 11,67 | HA52 | 80C ⁽¹⁾ | 4 | 3735 |
| 119,0 | 71 | 2,0 | 11,76 | H032 | 80C ⁽¹⁾ | 4 | 4691 |
| 118,6 | 71 | 3,5 | 11,80 | H042 | 80C ⁽¹⁾ | 4 | 6165 |
| 105,7 | 80 | 1,0 | 13,25 | HA32 | 80C ⁽¹⁾ | 4 | 1481 |
| 105,7 | 80 | 1,8 | 13,25 | HA42 | 80C ⁽¹⁾ | 4 | 3117 |
| 103,2 | 82 | 3,1 | 13,57 | H042 | 80C ⁽¹⁾ | 4 | 6396 |
| 102,0 | 83 | 2,1 | 13,72 | H032 | 80C ⁽¹⁾ | 4 | 4851 |
| 96,6 | 87 | 3,2 | 14,50 | HA52 | 80C ⁽¹⁾ | 4 | 4015 |
| 95,5 | 88 | 1,9 | 14,66 | H032 | 80C ⁽¹⁾ | 4 | 4918 |
| 87,7 | 96 | 2,6 | 15,96 | H042 | 80C ⁽¹⁾ | 4 | 6600 |
| 84,9 | 99 | 0,8 | 16,49 | HA32 | 80C ⁽¹⁾ | 4 | 1593 |
| 84,9 | 99 | 1,4 | 16,49 | HA42 | 80C ⁽¹⁾ | 4 | 3353 |
| 83,5 | 101 | 1,9 | 16,77 | H032 | 80C ⁽¹⁾ | 4 | 5051 |
| 82,8 | 102 | 2,9 | 16,91 | HA52 | 80C ⁽¹⁾ | 4 | 4227 |
| 76,9 | 110 | 1,8 | 18,20 | H032 | 80C ⁽¹⁾ | 4 | 5129 |
| 73,7 | 114 | 2,2 | 19,00 | H042 | 80C ⁽¹⁾ | 4 | 6600 |
| 70,4 | 120 | 1,7 | 19,90 | H032 | 80C ⁽¹⁾ | 4 | 5209 |
| 70,1 | 120 | 3,8 | 19,97 | H052 | 80C ⁽¹⁾ | 4 | 8000 |
| 69,1 | 122 | 1,2 | 20,26 | HA42 | 80C ⁽¹⁾ | 4 | 3591 |
| 68,4 | 123 | 2,4 | 20,46 | HA52 | 80C ⁽¹⁾ | 4 | 4504 |
| 68,4 | 123 | 3,7 | 20,46 | HA62 | 80C ⁽¹⁾ | 4 | 6647 |
| 66,7 | 127 | 2,0 | 21,00 | H042 | 80C ⁽¹⁾ | 4 | 6600 |
| 64,6 | 131 | 3,6 | 21,67 | H052 | 80C ⁽¹⁾ | 4 | 8000 |
| 61,7 | 137 | 1,5 | 22,68 | H032 | 80C ⁽¹⁾ | 4 | 5320 |
| 60,5 | 139 | 1,9 | 23,15 | H042 | 80C ⁽¹⁾ | 4 | 6600 |
| 58,7 | 144 | 1,4 | 23,83 | H032 | 80C ⁽¹⁾ | 4 | 5359 |
| 57,0 | 148 | 1,0 | 24,55 | HA42 | 80C ⁽¹⁾ | 4 | 3828 |
| 56,7 | 149 | 3,2 | 24,71 | H052 | 80C ⁽¹⁾ | 4 | 8000 |
| 55,1 | 153 | 1,8 | 25,43 | HA52 | 80C ⁽¹⁾ | 4 | 4842 |
| 55,1 | 153 | 2,8 | 25,43 | HA62 | 80C ⁽¹⁾ | 4 | 7147 |
| 53,8 | 157 | 1,7 | 26,04 | H042 | 80C ⁽¹⁾ | 4 | 6600 |
| 53,5 | 158 | 3,1 | 26,18 | H052 | 80C ⁽¹⁾ | 4 | 8000 |
| 53,0 | 159 | 1,3 | 26,39 | H032 | 80C ⁽¹⁾ | 4 | 5433 |
| 50,9 | 166 | 1,7 | 27,50 | H042 | 80C ⁽¹⁾ | 4 | 6600 |

⁽¹⁾ Available only with brake motor (TBS)

0,92 kW

| n2 [rpm] | M2 [Nm] | fs | i | Gear reducer | Size | Motor Pole | Fr2 [N] |
|-------------|------------|-----|--------|-----------------|--------------------|---------------|------------|
| 49,2 | 171 | 2,9 | 28,44 | H052 | 80C ⁽¹⁾ | 4 | 8000 |
| 47,1 | 179 | 1,1 | 29,70 | H032 | 80C ⁽¹⁾ | 4 | 5500 |
| 46,8 | 180 | 1,7 | 29,89 | HA52 | 80C ⁽¹⁾ | 4 | 5110 |
| 46,8 | 180 | 2,5 | 29,89 | HA62 | 80C ⁽¹⁾ | 4 | 7543 |
| 46,0 | 183 | 1,5 | 30,45 | H042 | 80C ⁽¹⁾ | 4 | 6600 |
| 44,4 | 190 | 2,6 | 31,52 | H052 | 80C ⁽¹⁾ | 4 | 8000 |
| 42,6 | 198 | 1,0 | 32,89 | H032 | 80C ⁽¹⁾ | 4 | 5500 |
| 42,4 | 199 | 2,5 | 33,00 | H052 | 80C ⁽¹⁾ | 4 | 8000 |
| 41,1 | 205 | 1,4 | 34,10 | H042 | 80C ⁽¹⁾ | 4 | 6600 |
| 38,7 | 218 | 1,4 | 36,17 | HA52 | 80C ⁽¹⁾ | 4 | 5445 |
| 38,7 | 218 | 2,2 | 36,17 | HA62 | 80C ⁽¹⁾ | 4 | 8000 |
| 37,8 | 223 | 3,6 | 36,99 | H062 | 80C ⁽¹⁾ | 4 | 12000 |
| 37,1 | 228 | 1,2 | 37,76 | H042 | 80C ⁽¹⁾ | 4 | 6600 |
| 35,9 | 235 | 2,1 | 38,98 | H052 | 80C ⁽¹⁾ | 4 | 8000 |
| 34,7 | 243 | 3,5 | 40,33 | H062 | 80C ⁽¹⁾ | 4 | 12000 |
| 32,0 | 264 | 1,1 | 43,75 | H042 | 80C ⁽¹⁾ | 4 | 6600 |
| 31,1 | 271 | 1,0 | 44,95 | HA52 | 80C ⁽¹⁾ | 4 | 5855 |
| 31,1 | 271 | 1,6 | 44,95 | HA62 | 80C ⁽¹⁾ | 4 | 8000 |
| 30,9 | 273 | 1,8 | 45,36 | H052 | 80C ⁽¹⁾ | 4 | 8000 |
| 30,4 | 278 | 3,1 | 46,06 | H062 | 80C ⁽¹⁾ | 4 | 12000 |
| 29,5 | 286 | 1,0 | 47,53 | H042 | 80C ⁽¹⁾ | 4 | 6600 |
| 28,5 | 296 | 1,7 | 49,13 | H052 | 80C ⁽¹⁾ | 4 | 8000 |
| 28,1 | 300 | 1,0 | 49,78 | HA52 | 80C ⁽¹⁾ | 4 | 6000 |
| 28,1 | 294 | 1,0 | 49,80 | HA53 | 80C ⁽¹⁾ | 4 | 6000 |
| 28,1 | 300 | 1,2 | 49,78 | HA62 | 80C ⁽¹⁾ | 4 | 8000 |
| 28,1 | 294 | 1,6 | 49,80 | HA63 | 80C ⁽¹⁾ | 4 | 8000 |
| 24,9 | 338 | 1,4 | 56,11 | H052 | 80C ⁽¹⁾ | 4 | 8000 |
| 23,8 | 347 | 1,4 | 58,81 | H053 | 80C ⁽¹⁾ | 4 | 8000 |
| 23,2 | 355 | 0,8 | 60,25 | HA53 | 80C ⁽¹⁾ | 4 | 6000 |
| 23,2 | 355 | 1,4 | 60,25 | HA63 | 80C ⁽¹⁾ | 4 | 8000 |
| 22,6 | 373 | 1,2 | 61,87 | HA62 | 80C ⁽¹⁾ | 4 | 8000 |
| 19,2 | 429 | 1,2 | 72,75 | H053 | 80C ⁽¹⁾ | 4 | 8000 |
| 18,7 | 442 | 1,1 | 74,88 | HA63 | 80C ⁽¹⁾ | 4 | 8000 |
| 17,8 | 465 | 3,9 | 78,87 | H083 | 80C ⁽¹⁾ | 4 | 18000 |
| 16,4 | 505 | 3,6 | 85,56 | H083 | 80C ⁽¹⁾ | 4 | 18000 |
| 16,3 | 506 | 1,7 | 85,82 | H063 | 80C ⁽¹⁾ | 4 | 12000 |
| 15,9 | 519 | 0,9 | 88,02 | HA63 | 80C ⁽¹⁾ | 4 | 8000 |
| 15,5 | 534 | 0,9 | 90,51 | H053 | 80C ⁽¹⁾ | 4 | 8000 |
| 14,8 | 559 | 1,5 | 94,76 | H063 | 80C ⁽¹⁾ | 4 | 12000 |
| 14,3 | 579 | 3,1 | 98,09 | H083 | 80C ⁽¹⁾ | 4 | 18000 |
| 12,4 | 665 | 2,7 | 112,78 | H083 | 80C ⁽¹⁾ | 4 | 18000 |
| 11,9 | 696 | 1,2 | 118,00 | H063 | 80C ⁽¹⁾ | 4 | 12000 |

⁽¹⁾ Available only with brake motor (TBS)

0,92 kW

| n2 [rpm] | M2 [Nm] | fs | i | Gear reducer | Motor Size | Pole | Fr2 [N] |
|----------|---------|-----|--------|--------------|--------------------|------|---------|
| 11,3 | 734 | 2,5 | 124,44 | H083 | 80C ⁽¹⁾ | 4 | 18000 |
| 10,3 | 799 | 1,1 | 135,40 | H063 | 80C ⁽¹⁾ | 4 | 12000 |
| 9,8 | 839 | 2,1 | 142,15 | H083 | 80C ⁽¹⁾ | 4 | 18000 |
| 9,4 | 882 | 1,0 | 149,51 | H063 | 80C ⁽¹⁾ | 4 | 12000 |
| 9,0 | 913 | 2,0 | 154,76 | H083 | 80C ⁽¹⁾ | 4 | 18000 |
| 8,6 | 958 | 1,9 | 162,35 | H083 | 80C ⁽¹⁾ | 4 | 18000 |
| 7,8 | 1057 | 1,7 | 179,13 | H083 | 80C ⁽¹⁾ | 4 | 18000 |
| 7,2 | 1151 | 1,6 | 195,07 | H083 | 80C ⁽¹⁾ | 4 | 18000 |
| 6,3 | 1314 | 1,4 | 222,78 | H083 | 80C ⁽¹⁾ | 4 | 18000 |

1,10 kW

| n2 [rpm] | M2 [Nm] | fs | i | Gear reducer | Motor Size | Pole | Fr2 [N] |
|----------|---------|-----|------|--------------|--------------------|------|---------|
| 1961,0 | 5 | 3,7 | 1,45 | HA41 | 80B | 2 | 404 |
| 1420,0 | 7 | 3,0 | 2,00 | HR041 | 80B | 2 | 637 |
| 1115,7 | 9 | 2,9 | 2,55 | HR041 | 80B | 2 | 683 |
| 1113,7 | 9 | 1,6 | 2,55 | HA31 | 80B | 2 | 483 |
| 1046,3 | 9 | 2,7 | 2,71 | HR041 | 80B | 2 | 696 |
| 980,9 | 10 | 2,7 | 1,44 | HR041 | 80D/90S | 4 | 708 |
| 973,6 | 10 | 2,4 | 1,45 | HA41 | 80D ⁽¹⁾ | 4 | 510 |
| 966,7 | 11 | 3,8 | 1,45 | HA51 | 80D/90S | 4 | 1410 |
| 964,5 | 10 | 1,5 | 2,94 | HA31 | 80B | 2 | 506 |
| 964,5 | 10 | 1,8 | 2,94 | HA41 | 80B | 2 | 512 |
| 964,5 | 10 | 2,9 | 2,94 | HA51 | 80B | 2 | 1411 |
| 914,6 | 11 | 3,1 | 3,11 | HR041 | 80B | 2 | 724 |
| 894,1 | 11 | 1,4 | 3,18 | HA31 | 80B | 2 | 519 |
| 846,0 | 12 | 1,3 | 3,36 | HA31 | 80B | 2 | 529 |
| 791,5 | 12 | 2,7 | 3,59 | HR041 | 80B | 2 | 754 |
| 738,6 | 14 | 3,4 | 1,27 | HR051 | 90L/100LR | 6 | 2028 |
| 734,5 | 13 | 1,2 | 3,87 | HA31 | 80B | 2 | 554 |
| 700,0 | 15 | 1,9 | 2,00 | HR041 | 80D/90S | 4 | 777 |
| 676,2 | 15 | 2,3 | 4,20 | HR041 | 80B | 2 | 787 |
| 673,9 | 15 | 1,1 | 4,21 | HA31 | 80B | 2 | 571 |
| 653,9 | 16 | 1,9 | 1,44 | HR041 | 90L | 6 | 791 |
| 649,0 | 16 | 2,6 | 1,45 | HA51 | 90L | 6 | 1610 |
| 597,9 | 16 | 1,0 | 4,75 | HA31 | 80B | 2 | 594 |
| 595,8 | 17 | 1,4 | 4,75 | HA41 | 80B | 2 | 601 |
| 595,8 | 17 | 2,3 | 4,75 | HA51 | 80B | 2 | 1657 |
| 568,0 | 17 | 1,9 | 5,00 | HR041 | 80B | 2 | 825 |
| 552,9 | 18 | 1,0 | 2,55 | HA31 | 80D ⁽¹⁾ | 4 | 610 |
| 550,0 | 19 | 1,8 | 2,55 | HR041 | 80D/90S | 4 | 829 |
| 527,9 | 18 | 3,3 | 5,38 | HA32 | 80B | 2 | 866 |

⁽¹⁾ Available only with brake motor (TBS)

1,10 kW

| n ₂ [rpm] | M ₂ [Nm] | f _s | i | Gear reducer | Motor | | Fr ₂ [N] |
|-------------------------|------------------------|----------------|------|-----------------|--------------------|------|------------------------|
| | | | | | Size | Pole | |
| 520,7 | 19 | 1,2 | 5,45 | HA41 | 80B | 2 | 629 |
| 520,7 | 19 | 2,0 | 5,45 | HA51 | 80B | 2 | 1733 |
| 519,5 | 20 | 1,7 | 2,71 | HR041 | 80D/90S | 4 | 841 |
| 516,4 | 19 | 2,0 | 5,50 | HR041 | 80B | 2 | 846 |
| 488,1 | 20 | 3,7 | 5,82 | HR051 | 80B | 2 | 2299 |
| 478,9 | 21 | 0,9 | 2,94 | HA31 | 80D ⁽¹⁾ | 4 | 639 |
| 478,9 | 21 | 1,2 | 2,94 | HA41 | 80D ⁽¹⁾ | 4 | 647 |
| 478,9 | 21 | 1,9 | 2,94 | HA51 | 80D/90S | 4 | 1782 |
| 470,0 | 22 | 1,3 | 2,00 | HR041 | 90L | 6 | 862 |
| 466,3 | 21 | 1,8 | 6,09 | HR041 | 80B | 2 | 868 |
| 455,9 | 21 | 3,7 | 6,23 | H032 | 80B | 2 | 3263 |
| 450,8 | 23 | 1,9 | 3,11 | HR041 | 80D/90S | 4 | 872 |
| 445,3 | 23 | 3,7 | 3,17 | HR051 | 80D/90S | 4 | 2357 |
| 443,9 | 23 | 0,9 | 3,18 | HA31 | 80D ⁽¹⁾ | 4 | 656 |
| 437,6 | 24 | 2,9 | 2,13 | HR051 | 90L/100LR | 6 | 2368 |
| 435,8 | 22 | 2,7 | 6,52 | HA32 | 80B | 2 | 923 |
| 420,0 | 24 | 0,8 | 3,36 | HA31 | 80D ⁽¹⁾ | 4 | 668 |
| 393,0 | 26 | 1,7 | 3,59 | HR041 | 80D/90S | 4 | 902 |
| 387,3 | 25 | 3,0 | 7,33 | HR051 | 80B | 2 | 2460 |
| 382,4 | 27 | 3,4 | 3,69 | HR051 | 80D/90S | 4 | 2463 |
| 372,0 | 28 | 3,4 | 2,50 | HA61 | 90L/100LR | 6 | 2901 |
| 370,4 | 27 | 1,4 | 7,67 | HR041 | 80B | 2 | 919 |
| 369,3 | 28 | 1,3 | 2,55 | HR041 | 90L | 6 | 914 |
| 366,5 | 27 | 2,5 | 7,75 | HA61 | 80B | 2 | 2916 |
| 365,9 | 27 | 3,5 | 7,76 | H032 | 80B | 2 | 3470 |
| 365,6 | 28 | 2,8 | 2,57 | HR051 | 90L/100LR | 6 | 2493 |
| 352,5 | 29 | 3,1 | 4,00 | HR051 | 80D/90S | 4 | 2500 |
| 350,2 | 28 | 2,0 | 8,11 | HA32 | 80B | 2 | 993 |
| 350,2 | 28 | 3,5 | 8,11 | HA42 | 80B | 2 | 2091 |
| 346,3 | 30 | 1,2 | 2,71 | HR041 | 90L | 6 | 928 |
| 339,1 | 29 | 2,6 | 8,38 | HR051 | 80B | 2 | 2500 |
| 333,3 | 31 | 1,5 | 4,20 | HR041 | 80D/90S | 4 | 937 |
| 324,6 | 30 | 1,4 | 8,75 | HR041 | 80B | 2 | 948 |
| 321,6 | 32 | 3,5 | 4,38 | HA61 | 80D/90S | 4 | 3045 |
| 320,3 | 30 | 3,2 | 8,87 | H032 | 80B | 2 | 3599 |
| 315,8 | 33 | 1,3 | 2,94 | HA51 | 90L | 6 | 2047 |
| 302,7 | 34 | 1,4 | 3,11 | HR041 | 90L | 6 | 956 |
| 300,3 | 34 | 2,8 | 4,70 | H032 | 80D/90S | 4 | 3650 |
| 296,8 | 34 | 0,9 | 4,75 | HA41 | 80D ⁽¹⁾ | 4 | 758 |
| 296,8 | 35 | 2,6 | 3,17 | HR051 | 90L/100LR | 6 | 2500 |
| 294,7 | 35 | 1,4 | 4,75 | HA51 | 80D/90S | 4 | 2095 |
| 293,5 | 35 | 2,7 | 4,77 | HR051 | 80D/90S | 4 | 2500 |

⁽¹⁾ Available only with brake motor (TBS)

1,10 kW

| n ₂ [rpm] | M ₂ [Nm] | f _s | i | Gear reducer | Motor | | Fr ₂ [N] |
|-------------------------|------------------------|----------------|-------|-----------------|--------------------|------|------------------------|
| | | | | | Size | Pole | |
| 282,0 | 36 | 1,2 | 5,00 | HR041 | 80D/90S | 4 | 973 |
| 280,0 | 35 | 3,0 | 10,14 | H032 | 80B | 2 | 3731 |
| 268,6 | 38 | 2,6 | 5,25 | HR051 | 80D/90S | 4 | 2500 |
| 266,3 | 37 | 1,4 | 10,67 | HA61 | 80B | 2 | 3243 |
| 262,1 | 38 | 2,1 | 5,38 | HA32 | 80D ⁽¹⁾ | 4 | 1094 |
| 260,3 | 39 | 3,6 | 5,38 | HA42 | 80D/90S | 4 | 2308 |
| 259,2 | 40 | 1,2 | 3,59 | HR041 | 90L | 6 | 988 |
| 258,8 | 38 | 1,8 | 10,94 | HA32 | 80B | 2 | 1098 |
| 258,8 | 38 | 3,0 | 10,94 | HA42 | 80B | 2 | 2312 |
| 256,7 | 40 | 1,3 | 5,45 | HA51 | 80D/90S | 4 | 2194 |
| 256,4 | 40 | 1,3 | 5,50 | HR041 | 80D/90S | 4 | 992 |
| 252,2 | 41 | 2,3 | 3,69 | HR051 | 90L/100LR | 6 | 2500 |
| 252,2 | 41 | 3,9 | 3,69 | HR061 | 90L/100LR | 6 | 3700 |
| 242,3 | 42 | 2,4 | 5,82 | HR051 | 80D/90S | 4 | 2500 |
| 241,5 | 40 | 2,7 | 11,76 | H032 | 80B | 2 | 3879 |
| 235,0 | 44 | 2,2 | 4,00 | HR051 | 90L/100LR | 6 | 2500 |
| 235,0 | 44 | 3,6 | 4,00 | HR061 | 90L/100LR | 6 | 3700 |
| 231,5 | 44 | 1,1 | 6,09 | HR041 | 80D/90S | 4 | 1000 |
| 226,4 | 45 | 2,4 | 6,23 | H032 | 80D/90S | 4 | 3927 |
| 223,8 | 46 | 1,0 | 4,20 | HR041 | 90L | 6 | 1000 |
| 216,3 | 47 | 1,7 | 6,52 | HA32 | 80D ⁽¹⁾ | 4 | 1166 |
| 216,3 | 47 | 3,0 | 6,52 | HA42 | 80D/90S | 4 | 2455 |
| 213,6 | 46 | 1,3 | 13,25 | HA32 | 80B | 2 | 1171 |
| 213,6 | 46 | 2,3 | 13,25 | HA42 | 80B | 2 | 2465 |
| 212,1 | 49 | 2,4 | 4,38 | HA61 | 90L/100LR | 6 | 3499 |
| 207,0 | 47 | 2,7 | 13,72 | H032 | 80B | 2 | 4033 |
| 200,2 | 51 | 2,0 | 4,70 | H032 | 90L/100LR | 6 | 4043 |
| 195,8 | 53 | 1,0 | 4,75 | HA51 | 90L | 6 | 2401 |
| 195,0 | 53 | 1,9 | 4,77 | HR051 | 90L/100LR | 6 | 2500 |
| 195,0 | 53 | 3,2 | 4,77 | HR061 | 90L/100LR | 6 | 3700 |
| 194,8 | 52 | 3,1 | 7,19 | H042 | 80D/90S | 4 | 5306 |
| 193,8 | 50 | 2,5 | 14,66 | H032 | 80B | 2 | 4099 |
| 192,3 | 53 | 1,9 | 7,33 | HR051 | 80D/90S | 4 | 2500 |
| 192,3 | 53 | 3,2 | 7,33 | HR061 | 80D/90S | 4 | 3700 |
| 183,9 | 55 | 0,9 | 7,67 | HR041 | 80D/90S | 4 | 1000 |
| 181,9 | 56 | 1,6 | 7,75 | HA61 | 80D/90S | 4 | 3682 |
| 181,6 | 56 | 2,3 | 7,76 | H032 | 80D/90S | 4 | 4144 |
| 177,9 | 55 | 3,4 | 15,96 | H042 | 80B | 2 | 5456 |
| 177,1 | 58 | 1,8 | 5,25 | HR051 | 90L/100LR | 6 | 2500 |
| 177,1 | 58 | 3,1 | 5,25 | HR061 | 90L/100LR | 6 | 3700 |
| 173,9 | 58 | 1,3 | 8,11 | HA32 | 80D ⁽¹⁾ | 4 | 1254 |
| 173,9 | 58 | 2,2 | 8,11 | HA42 | 80D/90S | 4 | 2640 |

⁽¹⁾ Available only with brake motor (TBS)

1,10 kW

| n2 [rpm] | M2 [Nm] | fs | i | Gear reducer | Motor Size | Pole | Fr2 [N] |
|-------------|------------|-----|-------|-----------------|--------------------|------|------------|
| 172,9 | 59 | 2,5 | 5,38 | HA42 | 90L | 6 | 2645 |
| 172,3 | 60 | 0,9 | 5,45 | HA51 | 90L | 6 | 2505 |
| 172,2 | 57 | 1,1 | 16,49 | HA32 | 80B | 2 | 1258 |
| 172,2 | 57 | 1,9 | 16,49 | HA42 | 80B | 2 | 2649 |
| 170,3 | 60 | 2,8 | 5,46 | H042 | 90L/100LR | 6 | 5500 |
| 168,8 | 58 | 2,5 | 16,77 | H032 | 80B | 2 | 4237 |
| 168,4 | 61 | 1,7 | 8,38 | HR051 | 80D/90S | 4 | 2500 |
| 168,4 | 61 | 2,8 | 8,38 | HR061 | 80D/90S | 4 | 3700 |
| 167,9 | 58 | 3,9 | 16,91 | HA52 | 80B | 2 | 3339 |
| 161,6 | 64 | 1,6 | 5,82 | HR051 | 90L/100LR | 6 | 2500 |
| 161,6 | 64 | 2,8 | 5,82 | HR061 | 90L/100LR | 6 | 3700 |
| 158,2 | 64 | 3,3 | 8,91 | H042 | 80D/90S | 4 | 5614 |
| 157,9 | 64 | 2,0 | 8,87 | H032 | 80D/90S | 4 | 4280 |
| 155,5 | 63 | 2,4 | 18,20 | H032 | 80B | 2 | 4319 |
| 149,5 | 65 | 2,9 | 19,00 | H042 | 80B | 2 | 5719 |
| 149,5 | 68 | 3,7 | 6,22 | HA52 | 90L/100LR | 6 | 3471 |
| 149,3 | 68 | 1,6 | 6,23 | H032 | 90L/100LR | 6 | 4327 |
| 144,2 | 71 | 2,1 | 6,52 | HA42 | 90L | 6 | 2810 |
| 142,7 | 68 | 2,2 | 19,90 | H032 | 80B | 2 | 4403 |
| 139,7 | 70 | 1,6 | 20,26 | HA42 | 80B | 2 | 2840 |
| 139,0 | 73 | 1,9 | 10,14 | H032 | 80D/90S | 4 | 4402 |
| 138,8 | 70 | 3,1 | 20,46 | HA52 | 80B | 2 | 3558 |
| 136,7 | 74 | 3,3 | 10,31 | H042 | 80D/90S | 4 | 5835 |
| 135,2 | 72 | 2,6 | 21,00 | H042 | 80B | 2 | 5873 |
| 131,3 | 78 | 0,9 | 10,67 | HA61 | 80D/90S | 4 | 4106 |
| 129,4 | 79 | 2,1 | 7,19 | H042 | 90L/100LR | 6 | 5912 |
| 128,9 | 78 | 1,2 | 10,94 | HA32 | 80D ⁽¹⁾ | 4 | 1386 |
| 128,0 | 79 | 1,9 | 10,94 | HA42 | 80D/90S | 4 | 2924 |
| 126,8 | 81 | 1,3 | 7,33 | HR051 | 90L | 6 | 2500 |
| 126,8 | 81 | 2,2 | 7,33 | HR061 | 90L/100LR | 6 | 3700 |
| 125,2 | 78 | 1,9 | 22,68 | H032 | 80B | 2 | 4529 |
| 122,3 | 80 | 2,4 | 23,15 | H042 | 80B | 2 | 6028 |
| 120,3 | 85 | 3,0 | 7,73 | HA52 | 90L/100LR | 6 | 3732 |
| 120,0 | 84 | 3,3 | 11,67 | HA52 | 80D/90S | 4 | 3735 |
| 120,0 | 86 | 1,1 | 7,75 | HA61 | 90L | 6 | 4230 |
| 119,8 | 85 | 1,5 | 7,76 | H032 | 90L/100LR | 6 | 4532 |
| 119,2 | 82 | 1,8 | 23,83 | H032 | 80B | 2 | 4576 |
| 119,0 | 85 | 1,7 | 11,76 | H032 | 80D/90S | 4 | 4547 |
| 118,6 | 85 | 2,9 | 11,80 | H042 | 80D/90S | 4 | 6050 |
| 115,7 | 84 | 1,4 | 24,55 | HA42 | 80B | 2 | 3024 |
| 114,7 | 89 | 1,5 | 8,11 | HA42 | 90L | 6 | 3033 |
| 111,7 | 87 | 2,4 | 25,43 | HA52 | 80B | 2 | 3825 |

⁽¹⁾ Available only with brake motor (TBS)

1,10 kW

| n2 [rpm] | M2 [Nm] | fs | i | Gear reducer | Motor Size | Pole | Fr2 [N] |
|-------------|------------|-----|-------|-----------------|--------------------|------|------------|
| 111,7 | 87 | 3,7 | 25,43 | HA62 | 80B | 2 | 5646 |
| 111,0 | 93 | 1,1 | 8,38 | HR051 | 90L | 6 | 2500 |
| 111,0 | 93 | 1,9 | 8,38 | HR061 | 90L/100LR | 6 | 3700 |
| 110,1 | 93 | 3,9 | 8,44 | HR081 | 90L | 6 | 4000 |
| 109,1 | 93 | 3,8 | 8,53 | H052 | 90L/100LR | 6 | 7965 |
| 108,7 | 90 | 2,2 | 26,04 | H042 | 80B | 2 | 6211 |
| 107,2 | 91 | 1,7 | 26,39 | H032 | 80B | 2 | 4674 |
| 106,4 | 95 | 0,8 | 13,25 | HA32 | 80D ⁽¹⁾ | 4 | 1477 |
| 106,4 | 95 | 1,5 | 13,25 | HA42 | 80D/90S | 4 | 3110 |
| 104,9 | 97 | 1,4 | 8,87 | H032 | 90L/100LR | 6 | 4649 |
| 104,3 | 98 | 2,3 | 8,91 | H042 | 90L/100LR | 6 | 6238 |
| 103,2 | 98 | 2,6 | 13,57 | H042 | 80D/90S | 4 | 6263 |
| 102,9 | 95 | 2,2 | 27,50 | H042 | 80B | 2 | 6295 |
| 102,0 | 99 | 1,7 | 13,72 | H032 | 80D/90S | 4 | 4683 |
| 99,5 | 98 | 3,8 | 28,44 | H052 | 80B | 2 | 8000 |
| 97,3 | 105 | 3,7 | 9,56 | H052 | 90L/100LR | 6 | 8000 |
| 97,2 | 104 | 2,7 | 14,50 | HA52 | 80D/90S | 4 | 4006 |
| 96,4 | 106 | 3,0 | 9,64 | HA52 | 90L/100LR | 6 | 4017 |
| 95,6 | 102 | 1,5 | 29,70 | H032 | 80B | 2 | 4776 |
| 95,5 | 106 | 1,6 | 14,66 | H032 | 80D/90S | 4 | 4739 |
| 94,7 | 103 | 2,2 | 29,89 | HA52 | 80B | 2 | 4042 |
| 94,7 | 103 | 3,3 | 29,89 | HA62 | 80B | 2 | 5965 |
| 93,0 | 105 | 1,0 | 30,55 | HA42 | 80B | 2 | 3253 |
| 92,9 | 105 | 2,0 | 30,45 | H042 | 80B | 2 | 6454 |
| 91,7 | 111 | 1,3 | 10,14 | H032 | 90L/100LR | 6 | 4761 |
| 90,2 | 113 | 2,2 | 10,31 | H042 | 90L/100LR | 6 | 6458 |
| 90,1 | 108 | 3,4 | 31,52 | H052 | 80B | 2 | 8000 |
| 87,7 | 115 | 2,2 | 15,96 | H042 | 80D/90S | 4 | 6509 |
| 86,3 | 113 | 1,3 | 32,89 | H032 | 80B | 2 | 4862 |
| 86,1 | 113 | 3,2 | 33,00 | H052 | 80B | 2 | 8000 |
| 85,0 | 120 | 1,3 | 10,94 | HA42 | 90L | 6 | 3351 |
| 84,9 | 119 | 1,2 | 16,49 | HA42 | 80D/90S | 4 | 3353 |
| 84,4 | 120 | 3,8 | 16,59 | H052 | 80D/90S | 4 | 8000 |
| 83,5 | 121 | 1,6 | 16,77 | H032 | 80D/90S | 4 | 4845 |
| 83,3 | 117 | 1,8 | 34,10 | H042 | 80B | 2 | 6600 |
| 82,8 | 122 | 2,5 | 16,91 | HA52 | 80D/90S | 4 | 4227 |
| 80,8 | 126 | 3,2 | 11,51 | H052 | 90L/100LR | 6 | 8000 |
| 79,7 | 128 | 2,3 | 11,67 | HA52 | 90L/100LR | 6 | 4280 |
| 79,7 | 128 | 3,6 | 11,67 | HA62 | 90L/100LR | 6 | 6317 |
| 79,1 | 129 | 1,2 | 11,76 | H032 | 90L/100LR | 6 | 4873 |
| 78,8 | 129 | 2,0 | 11,80 | H042 | 90L/100LR | 6 | 6600 |
| 78,5 | 124 | 1,8 | 36,17 | HA52 | 80B | 2 | 4302 |

⁽¹⁾ Available only with brake motor (TBS)

1,10 kW

| n ₂ [rpm] | M ₂ [Nm] | f _s | i | Gear reducer | Motor Size | Pole | Fr ₂ [N] |
|-------------------------|------------------------|----------------|-------|-----------------|---------------|------|------------------------|
| 78,5 | 124 | 2,8 | 36,17 | HA62 | 80B | 2 | 6349 |
| 77,8 | 130 | 3,5 | 18,00 | H052 | 80D/90S | 4 | 8000 |
| 76,9 | 131 | 1,5 | 18,20 | H032 | 80D/90S | 4 | 4905 |
| 74,9 | 130 | 1,2 | 37,92 | H032 | 80B | 2 | 4973 |
| 74,9 | 130 | 1,6 | 37,76 | H042 | 80B | 2 | 6600 |
| 73,7 | 137 | 1,8 | 19,00 | H042 | 80D/90S | 4 | 6600 |
| 72,9 | 134 | 2,8 | 38,98 | H052 | 80B | 2 | 8000 |
| 70,4 | 143 | 1,4 | 19,90 | H032 | 80D/90S | 4 | 4965 |
| 70,2 | 145 | 1,0 | 13,25 | HA42 | 90L | 6 | 3572 |
| 70,1 | 144 | 3,2 | 19,97 | H052 | 80D/90S | 4 | 8000 |
| 69,1 | 146 | 1,0 | 20,26 | HA42 | 80D/90S | 4 | 3591 |
| 68,6 | 142 | 1,1 | 41,40 | H032 | 80B | 2 | 5035 |
| 68,5 | 149 | 1,8 | 13,57 | H042 | 90L/100LR | 6 | 6600 |
| 68,4 | 147 | 2,0 | 20,46 | HA52 | 80D/90S | 4 | 4504 |
| 68,4 | 147 | 3,1 | 20,46 | HA62 | 80D/90S | 4 | 6647 |
| 67,8 | 150 | 1,2 | 13,72 | H032 | 90L/100LR | 6 | 4973 |
| 66,7 | 151 | 1,7 | 21,00 | H042 | 80D/90S | 4 | 6600 |
| 65,3 | 156 | 2,9 | 14,24 | H052 | 90L/100LR | 6 | 8000 |
| 64,9 | 150 | 1,4 | 43,75 | H042 | 80B | 2 | 6600 |
| 64,6 | 156 | 3,0 | 21,67 | H052 | 80D/90S | 4 | 8000 |
| 64,1 | 159 | 1,9 | 14,50 | HA52 | 90L/100LR | 6 | 4602 |
| 64,1 | 159 | 2,8 | 14,50 | HA62 | 90L/100LR | 6 | 6792 |
| 63,5 | 161 | 1,1 | 14,66 | H032 | 90L/100LR | 6 | 5011 |
| 63,0 | 155 | 1,4 | 44,95 | HA52 | 80B | 2 | 4630 |
| 63,0 | 155 | 2,1 | 44,95 | HA62 | 80B | 2 | 6834 |
| 62,4 | 156 | 2,4 | 45,36 | H052 | 80B | 2 | 8000 |
| 61,7 | 163 | 1,2 | 22,68 | H032 | 80D/90S | 4 | 5042 |
| 60,5 | 167 | 1,6 | 23,15 | H042 | 80D/90S | 4 | 6600 |
| 59,7 | 163 | 1,3 | 47,53 | H042 | 80B | 2 | 6600 |
| 58,7 | 172 | 1,2 | 23,83 | H032 | 80D/90S | 4 | 5067 |
| 58,3 | 175 | 1,5 | 15,96 | H042 | 90L/100LR | 6 | 6600 |
| 57,6 | 169 | 2,2 | 49,13 | H052 | 80B | 2 | 8000 |
| 57,1 | 171 | 1,3 | 49,78 | HA52 | 80B | 2 | 4785 |
| 57,1 | 171 | 1,6 | 49,78 | HA62 | 80B | 2 | 7062 |
| 57,0 | 177 | 0,9 | 24,55 | HA42 | 80D/90S | 4 | 3828 |
| 56,8 | 168 | 1,3 | 49,80 | HA53 | 80B | 2 | 4791 |
| 56,8 | 168 | 2,1 | 49,80 | HA63 | 80B | 2 | 7072 |
| 56,7 | 178 | 2,6 | 24,71 | H052 | 80D/90S | 4 | 8000 |
| 56,4 | 181 | 0,8 | 16,49 | HA42 | 90L | 6 | 3843 |
| 56,0 | 182 | 2,6 | 16,59 | H052 | 90L/100LR | 6 | 8000 |
| 55,5 | 184 | 1,1 | 16,77 | H032 | 90L/100LR | 6 | 5074 |
| 55,1 | 183 | 1,5 | 25,43 | HA52 | 80D/90S | 4 | 4842 |

1,10 kW

| n ₂ [rpm] | M ₂ [Nm] | f _s | i | Gear reducer | Motor | | Fr ₂ [N] |
|-------------------------|------------------------|----------------|-------|-----------------|-----------|------|------------------------|
| | | | | | Size | Pole | |
| 55,1 | 183 | 2,3 | 25,43 | HA62 | 80D/90S | 4 | 7147 |
| 55,0 | 185 | 1,7 | 16,91 | HA52 | 90L/100LR | 6 | 4844 |
| 55,0 | 185 | 2,8 | 16,91 | HA62 | 90L/100LR | 6 | 7150 |
| 53,8 | 188 | 1,4 | 26,04 | H042 | 80D/90S | 4 | 6600 |
| 53,5 | 189 | 2,6 | 26,18 | H052 | 80D/90S | 4 | 8000 |
| 53,0 | 190 | 1,1 | 26,39 | H032 | 80D/90S | 4 | 5110 |
| 52,2 | 187 | 1,1 | 54,25 | H042 | 80B | 2 | 6600 |
| 51,7 | 197 | 2,5 | 18,00 | H052 | 90L/100LR | 6 | 8000 |
| 51,1 | 199 | 1,1 | 18,20 | H032 | 90L/100LR | 6 | 5102 |
| 50,9 | 198 | 1,4 | 27,50 | H042 | 80D/90S | 4 | 6600 |
| 50,4 | 193 | 1,9 | 56,11 | H052 | 80B | 2 | 8000 |
| 49,2 | 205 | 2,4 | 28,44 | H052 | 80D/90S | 4 | 8000 |
| 48,9 | 208 | 1,3 | 19,00 | H042 | 90L/100LR | 6 | 6600 |
| 48,1 | 198 | 1,9 | 58,81 | H053 | 80B | 2 | 8000 |
| 47,7 | 211 | 3,8 | 29,33 | H062 | 80D/90S | 4 | 12000 |
| 47,1 | 214 | 0,9 | 29,70 | H032 | 80D/90S | 4 | 5144 |
| 47,0 | 203 | 1,1 | 60,25 | HA53 | 80B | 2 | 5105 |
| 47,0 | 203 | 1,8 | 60,25 | HA63 | 80B | 2 | 7535 |
| 46,8 | 215 | 1,4 | 29,89 | HA52 | 80D/90S | 4 | 5110 |
| 46,8 | 215 | 2,1 | 29,89 | HA62 | 80D/90S | 4 | 7543 |
| 46,7 | 218 | 1,0 | 19,90 | H032 | 90L | 6 | 5123 |
| 46,6 | 219 | 2,2 | 19,97 | H052 | 90L/100LR | 6 | 8000 |
| 46,0 | 219 | 1,3 | 30,45 | H042 | 80D/90S | 4 | 6600 |
| 45,8 | 208 | 1,1 | 61,83 | H043 | 80B | 2 | 6600 |
| 45,7 | 213 | 1,0 | 61,87 | HA52 | 80B | 2 | 5151 |
| 45,7 | 213 | 1,6 | 61,87 | HA62 | 80B | 2 | 7602 |
| 45,5 | 224 | 1,4 | 20,46 | HA52 | 90L/100LR | 6 | 5162 |
| 45,5 | 224 | 2,2 | 20,46 | HA62 | 90L/100LR | 6 | 7618 |
| 44,4 | 227 | 2,2 | 31,52 | H052 | 80D/90S | 4 | 8000 |
| 44,3 | 230 | 1,1 | 21,00 | H042 | 90L/100LR | 6 | 6600 |
| 43,8 | 231 | 3,7 | 32,00 | H062 | 80D/90S | 4 | 12000 |
| 42,9 | 237 | 2,1 | 21,67 | H052 | 90L/100LR | 6 | 8000 |
| 42,4 | 238 | 2,1 | 33,00 | H052 | 80D/90S | 4 | 8000 |
| 41,1 | 246 | 1,1 | 34,10 | H042 | 80D/90S | 4 | 6600 |
| 40,2 | 253 | 1,1 | 23,15 | H042 | 90L | 6 | 6600 |
| 40,0 | 255 | 3,5 | 23,27 | H062 | 90L/100LR | 6 | 12000 |
| 38,9 | 245 | 1,5 | 72,75 | H053 | 80B | 2 | 8000 |
| 38,7 | 261 | 1,2 | 36,17 | HA52 | 80D/90S | 4 | 5445 |
| 38,7 | 261 | 1,8 | 36,17 | HA62 | 80D/90S | 4 | 8000 |
| 37,8 | 266 | 3,0 | 36,99 | H062 | 80D/90S | 4 | 12000 |
| 37,8 | 252 | 0,9 | 74,88 | HA53 | 80B | 2 | 5489 |
| 37,8 | 252 | 1,4 | 74,88 | HA63 | 80B | 2 | 8000 |

1,10 kW

| n ₂ [rpm] | M ₂ [Nm] | f _s | i | Gear reducer | Motor | | Fr ₂ [N] |
|-------------------------|------------------------|----------------|--------|-----------------|-----------|------|------------------------|
| | | | | | Size | Pole | |
| 37,6 | 271 | 1,8 | 24,71 | H052 | 90L/100LR | 6 | 8000 |
| 37,1 | 272 | 1,0 | 37,76 | H042 | 80D/90S | 4 | 6600 |
| 36,6 | 279 | 1,1 | 25,43 | HA52 | 90L/100LR | 6 | 5549 |
| 36,6 | 279 | 1,6 | 25,43 | HA62 | 90L/100LR | 6 | 8000 |
| 36,2 | 281 | 3,2 | 25,70 | H062 | 90L/100LR | 6 | 12000 |
| 35,9 | 281 | 1,7 | 38,98 | H052 | 80D/90S | 4 | 8000 |
| 35,7 | 285 | 1,0 | 26,04 | H042 | 90L/100LR | 6 | 6600 |
| 35,5 | 287 | 1,8 | 26,18 | H052 | 90L/100LR | 6 | 8000 |
| 34,7 | 291 | 2,9 | 40,33 | H062 | 80D/90S | 4 | 12000 |
| 33,8 | 301 | 1,0 | 27,50 | H042 | 90L | 6 | 6600 |
| 33,0 | 289 | 2,2 | 85,82 | H063 | 80B | 2 | 12000 |
| 32,7 | 309 | 0,9 | 43,75 | H042 | 90S | 4 | 6600 |
| 32,7 | 311 | 1,7 | 28,44 | H052 | 90L/100LR | 6 | 8000 |
| 32,2 | 296 | 1,2 | 88,02 | HA63 | 80B | 2 | 8000 |
| 31,7 | 321 | 2,6 | 29,33 | H062 | 90L/100LR | 6 | 12000 |
| 31,3 | 305 | 1,2 | 90,51 | H053 | 80B | 2 | 8000 |
| 31,1 | 327 | 1,0 | 29,89 | HA52 | 90L | 6 | 5857 |
| 31,1 | 324 | 0,9 | 44,95 | HA52 | 80D/90S | 4 | 5855 |
| 31,1 | 327 | 1,4 | 29,89 | HA62 | 90L | 6 | 8000 |
| 31,1 | 324 | 1,4 | 44,95 | HA62 | 80D/90S | 4 | 8000 |
| 30,9 | 327 | 1,5 | 45,36 | H052 | 80D/90S | 4 | 8000 |
| 30,4 | 332 | 2,6 | 46,06 | H062 | 80D/90S | 4 | 12000 |
| 29,9 | 319 | 2,0 | 94,76 | H063 | 80B | 2 | 12000 |
| 29,5 | 345 | 1,5 | 31,52 | H052 | 90L/100LR | 6 | 8000 |
| 29,1 | 350 | 2,5 | 32,00 | H062 | 90L/100LR | 6 | 12000 |
| 28,5 | 354 | 1,4 | 49,13 | H052 | 80D/90S | 4 | 8000 |
| 28,3 | 349 | 2,4 | 49,45 | H063 | 90S | 4 | 12000 |
| 28,2 | 361 | 1,4 | 33,00 | H052 | 90L | 6 | 8000 |
| 28,1 | 359 | 0,8 | 49,78 | HA52 | 80D/90S | 4 | 6000 |
| 28,1 | 351 | 0,9 | 49,80 | HA53 | 80D/90S | 4 | 6000 |
| 28,1 | 359 | 1,0 | 49,78 | HA62 | 80D/90S | 4 | 8000 |
| 28,1 | 351 | 1,4 | 49,80 | HA63 | 80D/90S | 4 | 8000 |
| 26,0 | 367 | 1,0 | 108,95 | H053 | 80B | 2 | 8000 |
| 26,0 | 392 | 0,8 | 36,17 | HA52 | 90L | 6 | 6000 |
| 25,7 | 396 | 1,2 | 36,17 | HA62 | 90L | 6 | 8000 |
| 25,6 | 385 | 2,2 | 54,61 | H063 | 90S | 4 | 12000 |
| 25,1 | 405 | 2,1 | 36,99 | H062 | 90L/100LR | 6 | 12000 |
| 25,1 | 380 | 3,6 | 112,78 | H083 | 80B | 2 | 18000 |
| 24,9 | 404 | 1,2 | 56,11 | H052 | 80D/90S | 4 | 8000 |
| 24,0 | 397 | 1,6 | 118,00 | H063 | 80B | 2 | 12000 |
| 24,0 | 424 | 4,0 | 38,70 | H082 | 90L | 6 | 18000 |
| 23,9 | 427 | 1,2 | 38,98 | H052 | 90L/100LR | 6 | 8000 |

5.1 H/HA GEARED MOTORS (50Hz)

1,10 kW

| n2 [rpm] | M2 [Nm] | fs | i | Gear reducer | Motor Size | Pole | Fr2 [N] |
|-------------|------------|-----|--------|-----------------|---------------|------|------------|
| 23,8 | 415 | 1,2 | 58,81 | H053 | 80D/90S | 4 | 8000 |
| 23,2 | 425 | 1,1 | 60,25 | HA63 | 80D/90S | 4 | 8000 |
| 23,1 | 442 | 2,0 | 40,33 | H062 | 90L/100LR | 6 | 12000 |
| 22,7 | 419 | 3,2 | 124,44 | H083 | 80B | 2 | 18000 |
| 22,6 | 446 | 1,0 | 61,87 | HA62 | 80D/90S | 4 | 8000 |
| 21,8 | 468 | 3,6 | 42,75 | H082 | 90L/100LR | 6 | 18000 |
| 20,9 | 456 | 1,4 | 135,40 | H063 | 80B | 2 | 12000 |
| 20,7 | 492 | 0,9 | 44,95 | HA62 | 90L | 6 | 8000 |
| 20,6 | 480 | 1,8 | 68,00 | H063 | 90S | 4 | 12000 |
| 20,5 | 497 | 1,0 | 45,36 | H052 | 90L | 6 | 8000 |
| 20,2 | 504 | 1,8 | 46,06 | H062 | 90L/100LR | 6 | 12000 |
| 19,9 | 479 | 2,8 | 142,15 | H083 | 80B | 2 | 18000 |
| 19,6 | 504 | 3,6 | 71,48 | H083 | 80D/90S | 4 | 18000 |
| 19,3 | 527 | 3,2 | 48,13 | H082 | 90L/100LR | 6 | 18000 |
| 19,2 | 513 | 1,0 | 72,75 | H053 | 80D/90S | 4 | 8000 |
| 18,9 | 538 | 1,0 | 49,13 | H052 | 90L | 6 | 8000 |
| 18,9 | 503 | 1,3 | 149,51 | H063 | 80B | 2 | 12000 |
| 18,8 | 530 | 1,7 | 49,45 | H063 | 90L/100LR | 6 | 12000 |
| 18,7 | 528 | 0,9 | 74,88 | HA63 | 80D/90S | 4 | 8000 |
| 18,7 | 534 | 0,9 | 49,80 | HA63 | 90L | 6 | 8000 |
| 18,3 | 521 | 2,6 | 154,76 | H083 | 80B | 2 | 18000 |
| 17,8 | 556 | 3,2 | 78,87 | H083 | 80D/90S | 4 | 18000 |
| 17,4 | 547 | 2,5 | 162,35 | H083 | 80B | 2 | 18000 |
| 17,0 | 586 | 1,5 | 54,61 | H063 | 90L/100LR | 6 | 12000 |
| 16,6 | 575 | 1,1 | 170,67 | H063 | 80B | 2 | 12000 |
| 16,5 | 606 | 2,8 | 56,53 | H083 | 90L/100LR | 6 | 18000 |
| 16,4 | 603 | 3,0 | 85,56 | H083 | 80D/90S | 4 | 18000 |
| 16,3 | 605 | 1,4 | 85,82 | H063 | 80D/90S | 4 | 12000 |
| 15,8 | 603 | 2,2 | 179,13 | H083 | 80B | 2 | 18000 |
| 15,2 | 627 | 1,0 | 186,18 | H063 | 80B | 2 | 12000 |
| 14,8 | 668 | 1,3 | 94,76 | H063 | 80D/90S | 4 | 12000 |
| 14,5 | 657 | 2,1 | 195,07 | H083 | 80B | 2 | 18000 |
| 14,3 | 692 | 2,6 | 98,09 | H083 | 80D/90S | 4 | 18000 |
| 13,7 | 729 | 1,2 | 68,00 | H063 | 90L/100LR | 6 | 12000 |
| 13,0 | 767 | 2,5 | 71,48 | H083 | 90L/100LR | 6 | 18000 |
| 12,7 | 750 | 1,8 | 222,78 | H083 | 80B | 2 | 18000 |
| 12,4 | 796 | 2,3 | 112,78 | H083 | 80D/90S | 4 | 18000 |
| 11,9 | 832 | 1,0 | 118,00 | H063 | 80D/90S | 4 | 12000 |
| 11,8 | 846 | 2,2 | 78,87 | H083 | 90L/100LR | 6 | 18000 |
| 11,3 | 878 | 2,1 | 124,44 | H083 | 80D/90S | 4 | 18000 |
| 10,9 | 918 | 2,1 | 85,56 | H083 | 90L/100LR | 6 | 18000 |
| 10,8 | 920 | 1,0 | 85,82 | H063 | 90L/100LR | 6 | 12000 |

1,10 kW

| n ₂ [rpm] | M ₂ [Nm] | f _s | i | Gear reducer | Motor | | Fr ₂ [N] |
|-------------------------|------------------------|----------------|--------|-----------------|-----------|------|------------------------|
| | | | | | Size | Pole | |
| 10,6 | 935 | 0,9 | 135,40 | H063 | 90S | 4 | 12000 |
| 10,2 | 980 | 3,7 | 93,36 | H103 | 100LR | 6 | 22000 |
| 9,8 | 1003 | 1,8 | 142,15 | H083 | 80D/90S | 4 | 18000 |
| 9,8 | 1012 | 3,5 | 143,42 | H103 | 90S | 4 | 22000 |
| 9,5 | 1052 | 1,8 | 98,09 | H083 | 90L/100LR | 6 | 18000 |
| 9,5 | 1051 | 3,5 | 100,07 | H103 | 100LR | 6 | 22000 |
| 9,0 | 1092 | 1,6 | 154,76 | H083 | 80D/90S | 4 | 18000 |
| 8,7 | 1134 | 3,1 | 160,82 | H103 | 90S | 4 | 22000 |
| 8,6 | 1145 | 1,6 | 162,35 | H083 | 80D/90S | 4 | 18000 |
| 8,2 | 1210 | 1,6 | 112,78 | H083 | 90L/100LR | 6 | 18000 |
| 7,9 | 1269 | 2,9 | 120,84 | H103 | 100LR | 6 | 22000 |
| 7,8 | 1263 | 1,4 | 179,13 | H083 | 80D/90S | 4 | 18000 |
| 7,7 | 1277 | 2,7 | 181,07 | H103 | 90S | 4 | 22000 |
| 7,5 | 1335 | 1,4 | 124,44 | H083 | 90L/100LR | 6 | 18000 |
| 7,4 | 1346 | 3,9 | 128,18 | H123 | 100LR | 6 | 30000 |
| 7,2 | 1376 | 1,3 | 195,07 | H083 | 80D/90S | 4 | 18000 |
| 7,2 | 1370 | 2,6 | 194,21 | H103 | 90S | 4 | 22000 |
| 7,1 | 1407 | 2,6 | 134,06 | H103 | 100LR | 6 | 22000 |
| 6,6 | 1520 | 3,5 | 144,79 | H123 | 100LR | 6 | 30000 |
| 6,5 | 1524 | 1,2 | 142,15 | H083 | 90L/100LR | 6 | 18000 |
| 6,5 | 1538 | 2,4 | 143,42 | H103 | 90L/100LR | 6 | 22000 |
| 6,5 | 1520 | 2,3 | 215,45 | H103 | 90S | 4 | 22000 |
| 6,3 | 1571 | 1,1 | 222,78 | H083 | 80D/90S | 4 | 18000 |
| 6,1 | 1630 | 3,2 | 155,22 | H123 | 100LR | 6 | 30000 |
| 6,0 | 1660 | 1,1 | 154,76 | H083 | 90L/100LR | 6 | 18000 |
| 5,8 | 1725 | 2,1 | 160,82 | H103 | 90L/100LR | 6 | 22000 |
| 5,8 | 1711 | 2,1 | 242,59 | H103 | 90S | 4 | 22000 |
| 5,7 | 1741 | 1,1 | 162,35 | H083 | 90L | 6 | 18000 |
| 5,5 | 1814 | 2,9 | 172,80 | H123 | 100LR | 6 | 30000 |
| 5,2 | 1921 | 1,0 | 179,13 | H083 | 90L | 6 | 18000 |
| 5,1 | 1942 | 1,9 | 181,07 | H103 | 90L/100LR | 6 | 22000 |
| 5,0 | 1986 | 2,6 | 189,19 | H123 | 100LR | 6 | 30000 |
| 4,8 | 2092 | 0,9 | 195,07 | H083 | 90L | 6 | 18000 |
| 4,8 | 2083 | 1,8 | 194,21 | H103 | 90L/100LR | 6 | 22000 |
| 4,6 | 2178 | 2,4 | 207,43 | H123 | 100LR | 6 | 30000 |
| 4,3 | 2311 | 1,6 | 215,45 | H103 | 90L/100LR | 6 | 22000 |
| 4,1 | 2424 | 2,2 | 230,92 | H123 | 100LR | 6 | 30000 |
| 3,8 | 2602 | 1,5 | 242,59 | H103 | 90L/100LR | 6 | 22000 |
| 3,7 | 2726 | 1,9 | 259,64 | H123 | 100LR | 6 | 30000 |

1,50 kW

| n ₂ [rpm] | M ₂ [Nm] | f _s | i | Gear reducer | Motor | | Fr ₂ [N] |
|-------------------------|------------------------|----------------|------|-----------------|--------------------|------|------------------------|
| | | | | | Size | Pole | |
| 1954,8 | 7 | 3,1 | 1,44 | HR041 | 80C/90S | 2 | 570 |
| 1940,2 | 7 | 2,7 | 1,45 | HA41 | 80C ⁽¹⁾ | 2 | 406 |
| 1405,0 | 10 | 2,2 | 2,00 | HR041 | 80C/90S | 2 | 627 |
| 1103,9 | 12 | 2,1 | 2,55 | HR041 | 80C/90S | 2 | 670 |
| 1102,0 | 12 | 1,2 | 2,55 | HA31 | 80C ⁽¹⁾ | 2 | 484 |
| 1100,0 | 13 | 3,6 | 1,27 | HR051 | 90L/90LA | 4 | 1775 |
| 1035,3 | 13 | 2,0 | 2,71 | HR041 | 80C/90S | 2 | 682 |
| 987,8 | 14 | 2,0 | 1,44 | HR041 | 90L/90LA | 4 | 689 |
| 980,5 | 14 | 2,8 | 1,45 | HA51 | 90L/90LA | 4 | 1403 |
| 954,3 | 14 | 1,1 | 2,94 | HA31 | 80C ⁽¹⁾ | 2 | 508 |
| 954,3 | 14 | 1,3 | 2,94 | HA41 | 80C ⁽¹⁾ | 2 | 514 |
| 954,3 | 14 | 2,1 | 2,94 | HA51 | 80C/90S | 2 | 1416 |
| 904,9 | 15 | 2,2 | 3,11 | HR041 | 80C/90S | 2 | 707 |
| 783,1 | 17 | 2,0 | 3,59 | HR041 | 80C/90S | 2 | 735 |
| 762,0 | 18 | 3,8 | 3,69 | HR051 | 80C/90S | 2 | 1984 |
| 738,6 | 19 | 2,5 | 1,27 | HR051 | 100L/100LA | 6 | 1997 |
| 710,0 | 20 | 1,4 | 2,00 | HR041 | 90L/90LA | 4 | 750 |
| 702,5 | 19 | 3,5 | 4,00 | HR051 | 80C/90S | 2 | 2032 |
| 669,0 | 20 | 1,7 | 4,20 | HR041 | 80C/90S | 2 | 764 |
| 668,2 | 21 | 3,1 | 2,13 | HR051 | 90L/90LA | 4 | 2057 |
| 662,3 | 21 | 3,2 | 1,42 | HR051 | 100L/100LA | 6 | 2061 |
| 640,9 | 21 | 3,9 | 4,38 | HA61 | 80C/90S | 2 | 2420 |
| 598,4 | 22 | 3,2 | 4,70 | H032 | 80C/90S | 2 | 2955 |
| 591,6 | 23 | 1,7 | 4,75 | HA51 | 80C/90S | 2 | 1661 |
| 589,2 | 23 | 3,1 | 4,77 | HR051 | 80C/90S | 2 | 2138 |
| 562,0 | 24 | 1,4 | 5,00 | HR041 | 80C/90S | 2 | 797 |
| 560,0 | 25 | 3,6 | 2,50 | HA61 | 90L/90LA | 4 | 2531 |
| 557,9 | 25 | 1,4 | 2,55 | HR041 | 90L/90LA | 4 | 795 |
| 544,4 | 26 | 2,9 | 2,57 | HR051 | 90L/90LA | 4 | 2181 |
| 535,2 | 25 | 3,0 | 5,25 | HR051 | 80C/90S | 2 | 2197 |
| 523,2 | 27 | 1,3 | 2,71 | HR041 | 90L/90LA | 4 | 807 |
| 522,4 | 25 | 2,4 | 5,38 | HA32 | 80C ⁽¹⁾ | 2 | 869 |
| 515,2 | 26 | 1,4 | 5,45 | HA51 | 80C/90S | 2 | 1739 |
| 510,9 | 26 | 1,4 | 5,50 | HR041 | 80C/90S | 2 | 815 |
| 483,0 | 28 | 2,7 | 5,82 | HR051 | 80C/90S | 2 | 2262 |
| 482,3 | 29 | 1,4 | 2,94 | HA51 | 90L/90LA | 4 | 1778 |
| 461,3 | 29 | 1,3 | 6,09 | HR041 | 80C/90S | 2 | 834 |
| 451,1 | 29 | 2,7 | 6,23 | H032 | 80C/90S | 2 | 3191 |
| 450,8 | 31 | 1,4 | 3,11 | HR041 | 90L/90LA | 4 | 834 |
| 448,4 | 31 | 2,7 | 3,17 | HR051 | 90L/90LA | 4 | 2303 |
| 442,4 | 32 | 2,2 | 2,13 | HR051 | 100L/100LA | 6 | 2309 |
| 431,2 | 31 | 1,9 | 6,52 | HA32 | 80C ⁽¹⁾ | 2 | 927 |

⁽¹⁾ Available only with brake motor (TBS)

1,50 kW

| n ₂ [rpm] | M ₂ [Nm] | f _s | i | Gear reducer | Motor | | Fr ₂ [N] |
|-------------------------|------------------------|----------------|-------|-----------------|--------------------|------|------------------------|
| | | | | | Size | Pole | |
| 431,2 | 31 | 3,4 | 6,52 | HA42 | 80C/90S | 2 | 1951 |
| 391,0 | 34 | 3,5 | 7,19 | H042 | 80C/90S | 2 | 4276 |
| 390,2 | 36 | 1,3 | 3,59 | HR041 | 90L/90LA | 4 | 859 |
| 383,2 | 35 | 2,1 | 7,33 | HR051 | 80C/90S | 2 | 2411 |
| 383,2 | 35 | 3,6 | 7,33 | HR061 | 80C/90S | 2 | 3602 |
| 379,7 | 37 | 2,5 | 3,69 | HR051 | 90L/90LA | 4 | 2409 |
| 372,0 | 38 | 2,5 | 2,50 | HA61 | 100L/100LA | 6 | 2901 |
| 366,5 | 37 | 1,0 | 7,67 | HR041 | 80C/90S | 2 | 876 |
| 362,6 | 37 | 1,8 | 7,75 | HA61 | 80C/90S | 2 | 2926 |
| 362,0 | 37 | 2,6 | 7,76 | H032 | 80C/90S | 2 | 3379 |
| 361,7 | 39 | 2,0 | 2,57 | HR051 | 100L/100LA | 6 | 2439 |
| 361,7 | 39 | 3,8 | 2,57 | HR061 | 100L/100LA | 6 | 3659 |
| 350,0 | 40 | 2,3 | 4,00 | HR051 | 90L/90LA | 4 | 2462 |
| 350,0 | 40 | 3,8 | 4,00 | HR061 | 90L/90LA | 4 | 3696 |
| 346,5 | 38 | 1,5 | 8,11 | HA32 | 80C ⁽¹⁾ | 2 | 997 |
| 346,5 | 38 | 2,5 | 8,11 | HA42 | 80C/90S | 2 | 2098 |
| 335,5 | 40 | 1,9 | 8,38 | HR051 | 80C/90S | 2 | 2499 |
| 335,5 | 40 | 3,2 | 8,38 | HR061 | 80C/90S | 2 | 3700 |
| 333,3 | 42 | 1,1 | 4,20 | HR041 | 90L/90LA | 4 | 885 |
| 328,0 | 41 | 1,0 | 8,75 | HR041 | 90S | 2 | 895 |
| 319,3 | 44 | 2,5 | 4,38 | HA61 | 90L/90LA | 4 | 3053 |
| 316,9 | 42 | 2,3 | 8,87 | H032 | 80C/90S | 2 | 3493 |
| 315,3 | 42 | 3,7 | 8,91 | H042 | 80C/90S | 2 | 4544 |
| 298,1 | 46 | 2,1 | 4,70 | H032 | 90L/90LA | 4 | 3529 |
| 297,7 | 47 | 2,0 | 4,77 | HR051 | 90L/90LA | 4 | 2500 |
| 297,7 | 47 | 3,4 | 4,77 | HR061 | 90L/90LA | 4 | 3700 |
| 294,7 | 47 | 1,1 | 4,75 | HA51 | 90L/90LA | 4 | 2095 |
| 293,7 | 48 | 1,9 | 3,17 | HR051 | 100L/100LA | 6 | 2500 |
| 293,7 | 48 | 3,1 | 3,17 | HR061 | 100L/100LA | 6 | 3700 |
| 280,0 | 50 | 0,9 | 5,00 | HR041 | 90L/90LA | 4 | 912 |
| 277,0 | 48 | 2,2 | 10,14 | H032 | 80C/90S | 2 | 3609 |
| 272,4 | 49 | 3,7 | 10,31 | H042 | 80C/90S | 2 | 4730 |
| 266,7 | 52 | 1,9 | 5,25 | HR051 | 90L/90LA | 4 | 2500 |
| 266,7 | 52 | 3,3 | 5,25 | HR061 | 90L/90LA | 4 | 3700 |
| 263,4 | 51 | 1,0 | 10,67 | HA61 | 80C/90S | 2 | 3255 |
| 260,3 | 53 | 2,6 | 5,38 | HA42 | 90L/90LA | 4 | 2308 |
| 256,9 | 52 | 1,3 | 10,94 | HA32 | 80C ⁽¹⁾ | 2 | 1101 |
| 256,9 | 52 | 2,2 | 10,94 | HA42 | 80C/90S | 2 | 2318 |
| 256,7 | 54 | 0,9 | 5,45 | HA51 | 90L/90LA | 4 | 2194 |
| 256,3 | 54 | 3,0 | 5,46 | H042 | 90L/90LA | 4 | 4794 |
| 254,5 | 55 | 0,9 | 5,50 | HR041 | 90L/90LA | 4 | 926 |
| 252,2 | 56 | 1,7 | 3,69 | HR051 | 100L/100LA | 6 | 2500 |

⁽¹⁾ Available only with brake motor (TBS)

1,50 kW

| n ₂ [rpm] | M ₂ [Nm] | f _s | i | Gear reducer | Motor | | Fr ₂ [N] |
|-------------------------|------------------------|----------------|-------|-----------------|------------|------|------------------------|
| | | | | | Size | Pole | |
| 252,2 | 56 | 2,8 | 3,69 | HR061 | 100L/100LA | 6 | 3700 |
| 240,9 | 55 | 3,8 | 11,67 | HA52 | 80C/90S | 2 | 2961 |
| 240,6 | 58 | 1,7 | 5,82 | HR051 | 90L/90LA | 4 | 2500 |
| 240,6 | 58 | 2,9 | 5,82 | HR061 | 90L/90LA | 4 | 3700 |
| 238,9 | 56 | 2,0 | 11,76 | H032 | 80C/90S | 2 | 3735 |
| 238,1 | 56 | 3,4 | 11,80 | H042 | 80C/90S | 2 | 4905 |
| 235,0 | 60 | 1,6 | 4,00 | HR051 | 100L/100LA | 6 | 2500 |
| 235,0 | 60 | 2,6 | 4,00 | HR061 | 100L/100LA | 6 | 3700 |
| 225,0 | 61 | 3,9 | 6,22 | HA52 | 90L/90LA | 4 | 3029 |
| 224,7 | 61 | 1,7 | 6,23 | H032 | 90L/90LA | 4 | 3764 |
| 214,8 | 64 | 2,2 | 6,52 | HA42 | 90L/90LA | 4 | 2461 |
| 212,1 | 63 | 1,7 | 13,25 | HA42 | 80C/90S | 2 | 2471 |
| 212,1 | 66 | 1,7 | 4,38 | HA61 | 100L/100LA | 6 | 3499 |
| 207,1 | 64 | 2,9 | 13,57 | H042 | 80C/90S | 2 | 5089 |
| 204,8 | 65 | 2,0 | 13,72 | H032 | 80C/90S | 2 | 3864 |
| 198,0 | 70 | 1,4 | 4,70 | H032 | 100L/100LA | 6 | 3859 |
| 195,0 | 72 | 1,4 | 4,77 | HR051 | 100L/100LA | 6 | 2500 |
| 195,0 | 72 | 2,3 | 4,77 | HR061 | 100L/100LA | 6 | 3700 |
| 194,8 | 71 | 2,3 | 7,19 | H042 | 90L/90LA | 4 | 5150 |
| 193,8 | 68 | 3,1 | 14,50 | HA52 | 80C/90S | 2 | 3183 |
| 191,7 | 69 | 1,8 | 14,66 | H032 | 80C/90S | 2 | 3918 |
| 190,9 | 73 | 1,4 | 7,33 | HR051 | 90L/90LA | 4 | 2500 |
| 190,9 | 73 | 2,3 | 7,33 | HR061 | 90L/90LA | 4 | 3700 |
| 181,0 | 76 | 3,2 | 7,73 | HA52 | 90L/90LA | 4 | 3256 |
| 180,8 | 77 | 3,3 | 5,14 | HA52 | 100L/100LA | 6 | 3257 |
| 180,6 | 77 | 1,2 | 7,75 | HA61 | 90L/90LA | 4 | 3691 |
| 180,4 | 76 | 1,6 | 7,76 | H032 | 90L/90LA | 4 | 3939 |
| 177,1 | 79 | 1,3 | 5,25 | HR051 | 100L/100LA | 6 | 2500 |
| 177,1 | 79 | 2,3 | 5,25 | HR061 | 100L/100LA | 6 | 3700 |
| 176,1 | 75 | 2,5 | 15,96 | H042 | 80C/90S | 2 | 5305 |
| 172,6 | 80 | 1,6 | 8,11 | HA42 | 90L/90LA | 4 | 2647 |
| 170,4 | 78 | 1,3 | 16,49 | HA42 | 80C/90S | 2 | 2658 |
| 170,3 | 82 | 2,1 | 5,46 | H042 | 100L/100LA | 6 | 5319 |
| 167,6 | 79 | 1,8 | 16,77 | H032 | 80C/90S | 2 | 4025 |
| 167,2 | 83 | 1,2 | 8,38 | HR051 | 90L/90LA | 4 | 2500 |
| 167,2 | 83 | 2,0 | 8,38 | HR061 | 90L/90LA | 4 | 3700 |
| 166,2 | 80 | 2,8 | 16,91 | HA52 | 80C/90S | 2 | 3351 |
| 162,4 | 86 | 3,2 | 5,73 | H052 | 100L/100LA | 6 | 6961 |
| 159,8 | 88 | 1,2 | 5,82 | HR051 | 100L/100LA | 6 | 2500 |
| 159,8 | 88 | 2,0 | 5,82 | HR061 | 100L/100LA | 6 | 3700 |
| 157,9 | 87 | 1,5 | 8,87 | H032 | 90L/90LA | 4 | 4039 |
| 157,1 | 88 | 2,4 | 8,91 | H042 | 90L/90LA | 4 | 5431 |

1,50 kW

| n ₂ [rpm] | M ₂ [Nm] | f _s | i | Gear reducer | Motor | | Fr ₂ [N] |
|-------------------------|------------------------|----------------|-------|-----------------|------------|------|------------------------|
| | | | | | Size | Pole | |
| 154,4 | 86 | 1,7 | 18,20 | H032 | 80C/90S | 2 | 4087 |
| 152,9 | 92 | 3,9 | 6,08 | HR081 | 100L/100LA | 6 | 4000 |
| 149,5 | 93 | 2,7 | 6,22 | HA52 | 100L/100LA | 6 | 3471 |
| 149,3 | 93 | 1,2 | 6,23 | H032 | 100L/100LA | 6 | 4069 |
| 147,9 | 90 | 2,1 | 19,00 | H042 | 80C/90S | 2 | 5537 |
| 146,4 | 94 | 3,9 | 9,56 | H052 | 90L/90LA | 4 | 7166 |
| 145,2 | 95 | 3,2 | 9,64 | HA52 | 90L/90LA | 4 | 3505 |
| 141,2 | 94 | 1,6 | 19,90 | H032 | 80C/90S | 2 | 4153 |
| 140,7 | 94 | 3,7 | 19,97 | H052 | 80C/90S | 2 | 7267 |
| 138,7 | 96 | 1,2 | 20,26 | HA42 | 80C/90S | 2 | 2847 |
| 138,0 | 100 | 1,4 | 10,14 | H032 | 90L/90LA | 4 | 4133 |
| 137,3 | 97 | 2,3 | 20,46 | HA52 | 80C/90S | 2 | 3570 |
| 137,3 | 97 | 3,6 | 20,46 | HA62 | 80C/90S | 2 | 5270 |
| 135,7 | 101 | 2,4 | 10,31 | H042 | 90L/90LA | 4 | 5621 |
| 134,9 | 103 | 3,0 | 6,89 | H052 | 100L/100LA | 6 | 7319 |
| 133,8 | 99 | 1,9 | 21,00 | H042 | 80C/90S | 2 | 5670 |
| 129,7 | 102 | 3,4 | 21,67 | H052 | 80C/90S | 2 | 7428 |
| 129,4 | 107 | 1,6 | 7,19 | H042 | 100L/100LA | 6 | 5674 |
| 128,0 | 107 | 1,4 | 10,94 | HA42 | 90L/90LA | 4 | 2924 |
| 126,8 | 111 | 1,6 | 7,33 | HR061 | 100L/100LA | 6 | 3700 |
| 124,0 | 113 | 3,2 | 7,50 | HR081 | 100L/100LA | 6 | 4000 |
| 123,9 | 107 | 1,4 | 22,68 | H032 | 80C/90S | 2 | 4243 |
| 121,6 | 113 | 3,4 | 11,51 | H052 | 90L/90LA | 4 | 7530 |
| 121,4 | 109 | 1,8 | 23,15 | H042 | 80C/90S | 2 | 5797 |
| 120,3 | 115 | 2,2 | 7,73 | HA52 | 100L/100LA | 6 | 3732 |
| 120,3 | 115 | 3,5 | 7,73 | HA62 | 100L/100LA | 6 | 5508 |
| 120,0 | 115 | 2,4 | 11,67 | HA52 | 90L/90LA | 4 | 3735 |
| 120,0 | 115 | 3,8 | 11,67 | HA62 | 90L/90LA | 4 | 5512 |
| 119,8 | 116 | 1,1 | 7,76 | H032 | 100L/100LA | 6 | 4210 |
| 119,0 | 116 | 1,3 | 11,76 | H032 | 90L/90LA | 4 | 4226 |
| 118,6 | 116 | 2,2 | 11,80 | H042 | 90L/90LA | 4 | 5794 |
| 117,9 | 113 | 1,3 | 23,83 | H032 | 80C/90S | 2 | 4274 |
| 114,5 | 116 | 1,0 | 24,55 | HA42 | 80C/90S | 2 | 3035 |
| 113,7 | 117 | 3,0 | 24,71 | H052 | 80C/90S | 2 | 7692 |
| 111,0 | 126 | 1,4 | 8,38 | HR061 | 100L/100LA | 6 | 3700 |
| 110,5 | 120 | 1,7 | 25,43 | HA52 | 80C/90S | 2 | 3839 |
| 110,5 | 120 | 2,7 | 25,43 | HA62 | 80C/90S | 2 | 5666 |
| 110,1 | 127 | 2,9 | 8,44 | HR081 | 100L/100LA | 6 | 4000 |
| 109,1 | 127 | 2,8 | 8,53 | H052 | 100L/100LA | 6 | 7738 |
| 107,9 | 123 | 1,6 | 26,04 | H042 | 80C/90S | 2 | 5950 |
| 107,3 | 124 | 3,0 | 26,18 | H052 | 80C/90S | 2 | 7809 |
| 106,5 | 125 | 1,2 | 26,39 | H032 | 80C/90S | 2 | 4335 |

1,50 kW

| n2 [rpm] | M2 [Nm] | fs | i | Gear reducer | Motor | | Fr2 [N] |
|-------------|------------|-----|-------|-----------------|------------|------|------------|
| | | | | | Size | Pole | |
| 105,7 | 130 | 1,1 | 13,25 | HA42 | 90L/90LA | 4 | 3117 |
| 104,9 | 132 | 1,0 | 8,87 | H032 | 100L/100LA | 6 | 4282 |
| 104,3 | 133 | 1,7 | 8,91 | H042 | 100L/100LA | 6 | 5943 |
| 103,2 | 133 | 1,9 | 13,57 | H042 | 90L/90LA | 4 | 5968 |
| 102,2 | 130 | 1,6 | 27,50 | H042 | 80C/90S | 2 | 6019 |
| 102,0 | 135 | 1,3 | 13,72 | H032 | 90L/90LA | 4 | 4309 |
| 98,8 | 134 | 2,7 | 28,44 | H052 | 80C/90S | 2 | 7976 |
| 98,3 | 140 | 3,1 | 14,24 | H052 | 90L/90LA | 4 | 7954 |
| 97,3 | 143 | 2,7 | 9,56 | H052 | 100L/100LA | 6 | 7966 |
| 96,6 | 142 | 2,0 | 14,50 | HA52 | 90L/90LA | 4 | 4015 |
| 96,6 | 142 | 2,9 | 14,50 | HA62 | 90L/90LA | 4 | 5926 |
| 96,4 | 144 | 2,2 | 9,64 | HA52 | 100L/100LA | 6 | 4017 |
| 96,4 | 144 | 3,4 | 9,64 | HA62 | 100L/100LA | 6 | 5929 |
| 95,5 | 144 | 1,2 | 14,66 | H032 | 90L/90LA | 4 | 4339 |
| 94,6 | 140 | 1,1 | 29,70 | H032 | 80C/90S | 2 | 4396 |
| 94,0 | 141 | 1,6 | 29,89 | HA52 | 80C/90S | 2 | 4051 |
| 94,0 | 141 | 2,4 | 29,89 | HA62 | 80C/90S | 2 | 5980 |
| 92,3 | 144 | 1,5 | 30,45 | H042 | 80C/90S | 2 | 6146 |
| 91,7 | 151 | 1,0 | 10,14 | H032 | 100L/100LA | 6 | 4341 |
| 90,2 | 154 | 1,6 | 10,31 | H042 | 100L/100LA | 6 | 6118 |
| 89,2 | 149 | 2,5 | 31,52 | H052 | 80C/90S | 2 | 8000 |
| 87,7 | 157 | 1,6 | 15,96 | H042 | 90L/90LA | 4 | 6163 |
| 85,2 | 156 | 2,4 | 33,00 | H052 | 80C/90S | 2 | 8000 |
| 84,9 | 162 | 0,9 | 16,49 | HA42 | 90L/90LA | 4 | 3353 |
| 84,4 | 163 | 2,8 | 16,59 | H052 | 90L/90LA | 4 | 8000 |
| 83,5 | 165 | 1,2 | 16,77 | H032 | 90L/90LA | 4 | 4389 |
| 82,8 | 166 | 1,8 | 16,91 | HA52 | 90L/90LA | 4 | 4227 |
| 82,8 | 166 | 3,0 | 16,91 | HA62 | 90L/90LA | 4 | 6238 |
| 82,4 | 161 | 1,3 | 34,10 | H042 | 80C/90S | 2 | 6283 |
| 80,8 | 172 | 2,4 | 11,51 | H052 | 100L/100LA | 6 | 8000 |
| 79,7 | 174 | 1,7 | 11,67 | HA52 | 100L/100LA | 6 | 4280 |
| 79,7 | 174 | 2,7 | 11,67 | HA62 | 100L/100LA | 6 | 6317 |
| 79,6 | 175 | 3,9 | 11,69 | H062 | 100L/100LA | 6 | 12000 |
| 78,8 | 176 | 1,5 | 11,80 | H042 | 100L/100LA | 6 | 6270 |
| 77,8 | 177 | 2,6 | 18,00 | H052 | 90L/90LA | 4 | 8000 |
| 77,7 | 171 | 1,3 | 36,17 | HA52 | 80C/90S | 2 | 4317 |
| 77,7 | 171 | 2,1 | 36,17 | HA62 | 80C/90S | 2 | 6372 |
| 76,9 | 179 | 1,1 | 18,20 | H032 | 90L/90LA | 4 | 4410 |
| 76,0 | 175 | 3,4 | 36,99 | H062 | 80C/90S | 2 | 12000 |
| 74,4 | 178 | 1,2 | 37,76 | H042 | 80C/90S | 2 | 6400 |
| 73,7 | 187 | 1,3 | 19,00 | H042 | 90L/90LA | 4 | 6357 |
| 73,4 | 189 | 3,9 | 12,67 | H062 | 100L/100LA | 6 | 12000 |

1,50 kW

| n ₂ [rpm] | M ₂ [Nm] | f _s | i | Gear reducer | Motor | | Fr ₂ [N] |
|-------------------------|------------------------|----------------|-------|-----------------|------------|------|------------------------|
| | | | | | Size | Pole | |
| 72,1 | 184 | 2,0 | 38,98 | H052 | 80C/90S | 2 | 8000 |
| 70,4 | 195 | 1,0 | 19,90 | H032 | 90L/90LA | 4 | 4423 |
| 70,1 | 196 | 2,3 | 19,97 | H052 | 90L/90LA | 4 | 8000 |
| 69,7 | 190 | 3,3 | 40,33 | H062 | 80C/90S | 2 | 12000 |
| 68,5 | 203 | 1,3 | 13,57 | H042 | 100L/100LA | 6 | 6415 |
| 68,4 | 201 | 1,4 | 20,46 | HA52 | 90L/90LA | 4 | 4504 |
| 68,4 | 201 | 2,3 | 20,46 | HA62 | 90L/90LA | 4 | 6647 |
| 66,7 | 206 | 1,2 | 21,00 | H042 | 90L/90LA | 4 | 6459 |
| 65,3 | 213 | 2,1 | 14,24 | H052 | 100L/100LA | 6 | 8000 |
| 64,6 | 213 | 2,2 | 21,67 | H052 | 90L/90LA | 4 | 8000 |
| 64,1 | 217 | 1,4 | 14,50 | HA52 | 100L/100LA | 6 | 4602 |
| 64,1 | 217 | 2,0 | 14,50 | HA62 | 100L/100LA | 6 | 6792 |
| 63,1 | 220 | 3,3 | 14,75 | H062 | 100L/100LA | 6 | 12000 |
| 62,6 | 220 | 0,9 | 22,68 | H032 | 90L | 4 | 4425 |
| 62,5 | 212 | 1,0 | 44,95 | HA52 | 80C/90S | 2 | 4641 |
| 62,5 | 212 | 1,6 | 44,95 | HA62 | 80C/90S | 2 | 6850 |
| 61,9 | 214 | 1,7 | 45,36 | H052 | 80C/90S | 2 | 8000 |
| 61,0 | 218 | 2,9 | 46,06 | H062 | 80C/90S | 2 | 12000 |
| 60,5 | 227 | 1,1 | 23,15 | H042 | 90L/90LA | 4 | 6551 |
| 60,2 | 229 | 3,7 | 23,27 | H062 | 90L/90LA | 4 | 12000 |
| 58,3 | 238 | 1,1 | 15,96 | H042 | 100L/100LA | 6 | 6564 |
| 57,4 | 226 | 2,8 | 49,45 | H063 | 90S | 2 | 12000 |
| 57,2 | 232 | 1,6 | 49,13 | H052 | 80C/90S | 2 | 8000 |
| 57,1 | 243 | 3,5 | 16,29 | H062 | 100L/100LA | 6 | 12000 |
| 56,7 | 243 | 1,9 | 24,71 | H052 | 90L/90LA | 4 | 8000 |
| 56,5 | 235 | 1,2 | 49,78 | HA62 | 80C/90S | 2 | 7087 |
| 56,4 | 230 | 1,6 | 49,80 | HA63 | 80C/90S | 2 | 7088 |
| 56,0 | 248 | 1,9 | 16,59 | H052 | 100L/100LA | 6 | 8000 |
| 55,1 | 250 | 1,1 | 25,43 | HA52 | 90L/90LA | 4 | 4842 |
| 55,1 | 250 | 1,7 | 25,43 | HA62 | 90L/90LA | 4 | 7147 |
| 55,0 | 253 | 1,2 | 16,91 | HA52 | 100L/100LA | 6 | 4844 |
| 55,0 | 253 | 2,1 | 16,91 | HA62 | 100L/100LA | 6 | 7150 |
| 54,5 | 252 | 3,4 | 25,70 | H062 | 90L/90LA | 4 | 12000 |
| 53,8 | 256 | 1,0 | 26,04 | H042 | 90L/90LA | 4 | 6600 |
| 53,5 | 257 | 1,9 | 26,18 | H052 | 90L/90LA | 4 | 8000 |
| 52,6 | 264 | 3,3 | 17,67 | H062 | 100L/100LA | 6 | 12000 |
| 52,0 | 250 | 2,6 | 54,61 | H063 | 90S | 2 | 12000 |
| 51,7 | 269 | 1,8 | 18,00 | H052 | 100L/100LA | 6 | 8000 |
| 50,9 | 270 | 1,0 | 27,50 | H042 | 90L/90LA | 4 | 6600 |
| 50,1 | 265 | 1,4 | 56,11 | H052 | 80C/90S | 2 | 8000 |
| 49,2 | 279 | 1,8 | 28,44 | H052 | 90L/90LA | 4 | 8000 |
| 48,9 | 284 | 0,9 | 19,00 | H042 | 100L/100LA | 6 | 6600 |

1,50 kW

| n ₂ [rpm] | M ₂ [Nm] | f _s | i | Gear reducer | Motor | | Fr ₂ [N] |
|-------------------------|------------------------|----------------|-------|-----------------|------------|------|------------------------|
| | | | | | Size | Pole | |
| 47,8 | 272 | 1,4 | 58,81 | H053 | 80C/90S | 2 | 8000 |
| 47,7 | 288 | 2,8 | 29,33 | H062 | 90L/90LA | 4 | 12000 |
| 46,8 | 294 | 1,0 | 29,89 | HA52 | 90L/90LA | 4 | 5110 |
| 46,8 | 294 | 1,5 | 29,89 | HA62 | 90L/90LA | 4 | 7543 |
| 46,6 | 298 | 1,6 | 19,97 | H052 | 100L/100LA | 6 | 8000 |
| 46,6 | 279 | 1,3 | 60,25 | HA63 | 80C/90S | 2 | 7553 |
| 46,0 | 299 | 0,9 | 30,45 | H042 | 90L/90LA | 4 | 6600 |
| 45,9 | 303 | 2,9 | 20,28 | H062 | 100L/100LA | 6 | 12000 |
| 45,5 | 306 | 1,0 | 20,46 | HA52 | 100L/100LA | 6 | 5162 |
| 45,5 | 306 | 1,6 | 20,46 | HA62 | 100L/100LA | 6 | 7618 |
| 45,4 | 292 | 1,1 | 61,87 | HA62 | 80C/90S | 2 | 7620 |
| 44,4 | 310 | 1,6 | 31,52 | H052 | 90L/90LA | 4 | 8000 |
| 43,8 | 314 | 2,7 | 32,00 | H062 | 90L/90LA | 4 | 12000 |
| 42,9 | 324 | 1,5 | 21,67 | H052 | 100L/100LA | 6 | 8000 |
| 42,4 | 324 | 1,5 | 33,00 | H052 | 90L/90LA | 4 | 8000 |
| 41,8 | 311 | 2,0 | 68,00 | H063 | 90S | 2 | 12000 |
| 40,0 | 348 | 2,6 | 23,27 | H062 | 100L/100LA | 6 | 12000 |
| 38,7 | 355 | 0,8 | 36,17 | HA52 | 90L/90LA | 4 | 5445 |
| 38,7 | 355 | 1,3 | 36,17 | HA62 | 90L/90LA | 4 | 8000 |
| 38,6 | 336 | 1,1 | 72,75 | H053 | 80C/90S | 2 | 8000 |
| 37,8 | 363 | 2,2 | 36,99 | H062 | 90L/90LA | 4 | 12000 |
| 37,6 | 369 | 1,3 | 24,71 | H052 | 100L/100LA | 6 | 8000 |
| 37,5 | 346 | 1,0 | 74,88 | HA63 | 80C/90S | 2 | 8000 |
| 36,6 | 380 | 1,2 | 25,43 | HA62 | 100L/100LA | 6 | 8000 |
| 36,2 | 384 | 2,3 | 25,70 | H062 | 100L/100LA | 6 | 12000 |
| 35,9 | 383 | 1,3 | 38,98 | H052 | 90L/90LA | 4 | 8000 |
| 35,6 | 365 | 3,7 | 78,87 | H083 | 80C/90S | 2 | 18000 |
| 35,5 | 391 | 1,3 | 26,18 | H052 | 100L/100LA | 6 | 8000 |
| 34,7 | 396 | 2,1 | 40,33 | H062 | 90L/90LA | 4 | 12000 |
| 32,8 | 396 | 3,4 | 85,56 | H083 | 80C/90S | 2 | 18000 |
| 32,7 | 425 | 1,2 | 28,44 | H052 | 100L/100LA | 6 | 8000 |
| 32,7 | 397 | 1,6 | 85,82 | H063 | 80C/90S | 2 | 12000 |
| 32,7 | 420 | 3,8 | 42,75 | H082 | 90L/90LA | 4 | 18000 |
| 31,7 | 438 | 1,9 | 29,33 | H062 | 100L/100LA | 6 | 12000 |
| 31,1 | 442 | 1,0 | 44,95 | HA62 | 90L/90LA | 4 | 8000 |
| 30,9 | 446 | 1,1 | 45,36 | H052 | 90L/90LA | 4 | 8000 |
| 30,4 | 452 | 1,9 | 46,06 | H062 | 90L/90LA | 4 | 12000 |
| 29,9 | 465 | 3,6 | 31,15 | H082 | 100L/100LA | 6 | 18000 |
| 29,7 | 438 | 1,5 | 94,76 | H063 | 80C/90S | 2 | 12000 |
| 29,5 | 471 | 1,1 | 31,52 | H052 | 100L/100LA | 6 | 8000 |
| 29,1 | 478 | 1,9 | 32,00 | H062 | 100L/100LA | 6 | 12000 |
| 29,1 | 473 | 3,4 | 48,13 | H082 | 90L/90LA | 4 | 18000 |

1,50 kW

| n ₂ [rpm] | M ₂ [Nm] | f _s | i | Gear reducer | Motor | | Fr ₂ [N] |
|-------------------------|------------------------|----------------|--------|-----------------|------------|------|------------------------|
| | | | | | Size | Pole | |
| 28,6 | 454 | 3,0 | 98,09 | H083 | 80C/90S | 2 | 18000 |
| 28,5 | 483 | 1,0 | 49,13 | H052 | 90L/90LA | 4 | 8000 |
| 28,3 | 476 | 1,8 | 49,45 | H063 | 90L/90LA | 4 | 12000 |
| 28,1 | 479 | 1,0 | 49,80 | HA63 | 90L/90LA | 4 | 8000 |
| 27,1 | 513 | 3,3 | 34,38 | H082 | 100L/100LA | 6 | 18000 |
| 25,6 | 525 | 1,6 | 54,61 | H063 | 90L/90LA | 4 | 12000 |
| 25,3 | 543 | 0,9 | 56,11 | H052 | 90L | 4 | 8000 |
| 25,1 | 552 | 1,5 | 36,99 | H062 | 100L/100LA | 6 | 12000 |
| 24,9 | 522 | 2,6 | 112,78 | H083 | 80C/90S | 2 | 18000 |
| 24,8 | 544 | 2,9 | 56,53 | H083 | 90L/90LA | 4 | 18000 |
| 24,3 | 554 | 0,9 | 58,81 | H053 | 90L | 4 | 8000 |
| 24,0 | 578 | 2,9 | 38,70 | H082 | 100L/100LA | 6 | 18000 |
| 23,8 | 546 | 1,2 | 118,00 | H063 | 80C/90S | 2 | 12000 |
| 23,2 | 579 | 0,8 | 60,25 | HA63 | 90L/90LA | 4 | 8000 |
| 23,1 | 602 | 1,5 | 40,33 | H062 | 100L/100LA | 6 | 12000 |
| 22,6 | 575 | 2,3 | 124,44 | H083 | 80C/90S | 2 | 18000 |
| 21,8 | 638 | 2,6 | 42,75 | H082 | 100L/100LA | 6 | 18000 |
| 20,6 | 654 | 1,3 | 68,00 | H063 | 90L/90LA | 4 | 12000 |
| 20,2 | 688 | 1,3 | 46,06 | H062 | 100L/100LA | 6 | 12000 |
| 19,8 | 657 | 2,1 | 142,15 | H083 | 80C/90S | 2 | 18000 |
| 19,6 | 688 | 2,6 | 71,48 | H083 | 90L/90LA | 4 | 18000 |
| 19,3 | 719 | 2,3 | 48,13 | H082 | 100L/100LA | 6 | 18000 |
| 18,8 | 723 | 1,2 | 49,45 | H063 | 100L/100LA | 6 | 12000 |
| 18,2 | 716 | 1,9 | 154,76 | H083 | 80C/90S | 2 | 18000 |
| 17,8 | 759 | 2,4 | 78,87 | H083 | 90L/90LA | 4 | 18000 |
| 17,7 | 736 | 3,6 | 160,82 | H103 | 90S | 2 | 22000 |
| 17,3 | 751 | 1,8 | 162,35 | H083 | 80C/90S | 2 | 18000 |
| 17,0 | 799 | 1,1 | 54,61 | H063 | 100L/100LA | 6 | 12000 |
| 16,5 | 827 | 2,0 | 56,53 | H083 | 100L/100LA | 6 | 18000 |
| 16,4 | 823 | 2,2 | 85,56 | H083 | 90L/90LA | 4 | 18000 |
| 16,3 | 825 | 1,0 | 85,82 | H063 | 90L/90LA | 4 | 12000 |
| 15,7 | 828 | 1,6 | 179,13 | H083 | 80C/90S | 2 | 18000 |
| 15,7 | 828 | 3,2 | 181,07 | H103 | 90S | 2 | 22000 |
| 14,8 | 911 | 0,9 | 94,76 | H063 | 90L/90LA | 4 | 12000 |
| 14,6 | 889 | 3,0 | 194,21 | H103 | 90S | 2 | 22000 |
| 14,4 | 902 | 1,5 | 195,07 | H083 | 80C/90S | 2 | 18000 |
| 14,3 | 943 | 1,9 | 98,09 | H083 | 90L/90LA | 4 | 18000 |
| 13,8 | 984 | 0,9 | 68,00 | H063 | 100L | 6 | 12000 |
| 13,3 | 1019 | 3,6 | 69,69 | H103 | 100L/100LA | 6 | 22000 |
| 13,2 | 986 | 2,7 | 215,45 | H103 | 90S | 2 | 22000 |
| 13,0 | 1045 | 1,8 | 71,48 | H083 | 100L/100LA | 6 | 18000 |
| 12,6 | 1030 | 1,3 | 222,78 | H083 | 80C/90S | 2 | 18000 |

1,50 kW

| n ₂ [rpm] | M ₂ [Nm] | f _s | i | Gear reducer | Motor | | Fr ₂ [N] |
|-------------------------|------------------------|----------------|--------|-----------------|------------|------|------------------------|
| | | | | | Size | Pole | |
| 12,4 | 1085 | 1,7 | 112,78 | H083 | 90L/90LA | 4 | 18000 |
| 11,8 | 1153 | 1,6 | 78,87 | H083 | 100L/100LA | 6 | 18000 |
| 11,7 | 1167 | 3,1 | 79,82 | H103 | 100L/100LA | 6 | 22000 |
| 11,7 | 1110 | 2,4 | 242,59 | H103 | 90S | 2 | 22000 |
| 11,3 | 1197 | 1,5 | 124,44 | H083 | 90L/90LA | 4 | 18000 |
| 11,1 | 1231 | 3,0 | 84,16 | H103 | 100L/100LA | 6 | 22000 |
| 10,9 | 1251 | 1,5 | 85,56 | H083 | 100L/100LA | 6 | 18000 |
| 10,3 | 1316 | 4,0 | 89,97 | H123 | 100LA | 6 | 30000 |
| 10,0 | 1365 | 2,7 | 93,36 | H103 | 100L/100LA | 6 | 22000 |
| 9,8 | 1367 | 1,3 | 142,15 | H083 | 90L/90LA | 4 | 18000 |
| 9,8 | 1379 | 2,5 | 143,42 | H103 | 90L/90LA | 4 | 22000 |
| 9,5 | 1434 | 1,3 | 98,09 | H083 | 100L/100LA | 6 | 18000 |
| 9,3 | 1463 | 2,5 | 100,07 | H103 | 100L/100LA | 6 | 22000 |
| 9,3 | 1467 | 3,6 | 100,29 | H123 | 100L/100LA | 6 | 30000 |
| 9,0 | 1489 | 1,2 | 154,76 | H083 | 90L/90LA | 4 | 18000 |
| 8,7 | 1547 | 2,3 | 160,82 | H103 | 90L/90LA | 4 | 22000 |
| 8,6 | 1561 | 1,2 | 162,35 | H083 | 90L/90LA | 4 | 18000 |
| 8,6 | 1584 | 3,3 | 108,34 | H123 | 100L/100LA | 6 | 30000 |
| 8,2 | 1649 | 1,1 | 112,78 | H083 | 100L/100LA | 6 | 18000 |
| 7,8 | 1723 | 1,0 | 179,13 | H083 | 90L/90LA | 4 | 18000 |
| 7,8 | 1735 | 3,0 | 118,62 | H123 | 100L/100LA | 6 | 30000 |
| 7,7 | 1767 | 2,1 | 120,84 | H103 | 100L/100LA | 6 | 22000 |
| 7,7 | 1742 | 2,0 | 181,07 | H103 | 90L/90LA | 4 | 22000 |
| 7,5 | 1820 | 1,0 | 124,44 | H083 | 100L/100LA | 6 | 18000 |
| 7,3 | 1874 | 2,8 | 128,18 | H123 | 100L/100LA | 6 | 30000 |
| 7,2 | 1876 | 1,0 | 195,07 | H083 | 90L/90LA | 4 | 18000 |
| 7,2 | 1868 | 1,9 | 194,21 | H103 | 90L/90LA | 4 | 22000 |
| 6,9 | 1960 | 1,9 | 134,06 | H103 | 100L/100LA | 6 | 22000 |
| 6,5 | 2079 | 0,9 | 142,15 | H083 | 100L/100LA | 6 | 18000 |
| 6,5 | 2097 | 1,8 | 143,42 | H103 | 100L/100LA | 6 | 22000 |
| 6,5 | 2072 | 1,7 | 215,45 | H103 | 90L/90LA | 4 | 22000 |
| 6,4 | 2117 | 2,5 | 144,79 | H123 | 100L/100LA | 6 | 30000 |
| 6,0 | 2270 | 2,3 | 155,22 | H123 | 100L/100LA | 6 | 30000 |
| 5,8 | 2352 | 1,6 | 160,82 | H103 | 100L/100LA | 6 | 22000 |
| 5,8 | 2333 | 1,5 | 242,59 | H103 | 90L/90LA | 4 | 22000 |
| 5,4 | 2527 | 2,1 | 172,80 | H123 | 100L/100LA | 6 | 30000 |
| 5,1 | 2648 | 1,4 | 181,07 | H103 | 100L/100LA | 6 | 22000 |
| 4,9 | 2767 | 1,9 | 189,19 | H123 | 100L/100LA | 6 | 30000 |
| 4,8 | 2840 | 1,3 | 194,21 | H103 | 100L/100LA | 6 | 22000 |
| 4,5 | 3033 | 1,7 | 207,43 | H123 | 100L/100LA | 6 | 30000 |
| 4,3 | 3151 | 1,2 | 215,45 | H103 | 100L/100LA | 6 | 22000 |
| 4,0 | 3377 | 1,6 | 230,92 | H123 | 100L/100LA | 6 | 30000 |

5.1 H/HA GEARED MOTORS (50Hz)

1,50 kW

| n2 [rpm] | M2 [Nm] | fs | i | Gear reducer | Motor Size | Pole | Fr2 [N] |
|----------|---------|-----|--------|--------------|------------|------|---------|
| 3,8 | 3548 | 1,1 | 242,59 | H103 | 100L/100LA | 6 | 22000 |
| 3,6 | 3797 | 1,4 | 259,64 | H123 | 100L/100LA | 6 | 30000 |

1,85 kW

| n2 [rpm] | M2 [Nm] | fs | i | Gear reducer | Motor Size | Pole | Fr2 [N] |
|----------|---------|-----|------|--------------|---------------------|------|---------|
| 1100,0 | 16 | 2,9 | 1,27 | HR051 | 90LB ⁽¹⁾ | 4 | 1757 |
| 986,4 | 17 | 3,7 | 1,42 | HR051 | 90LB ⁽¹⁾ | 4 | 1814 |
| 973,9 | 18 | 1,6 | 1,44 | HR041 | 90LB ⁽¹⁾ | 4 | 676 |
| 966,7 | 18 | 2,3 | 1,45 | HA51 | 90LB ⁽¹⁾ | 4 | 1410 |
| 730,7 | 24 | 2,0 | 1,27 | HR051 | 100LB | 6 | 1976 |
| 700,0 | 24 | 1,1 | 2,00 | HR041 | 90LB ⁽¹⁾ | 4 | 731 |
| 697,5 | 25 | 3,8 | 1,33 | HA61 | 100LB | 6 | 2353 |
| 658,8 | 26 | 2,5 | 2,13 | HR051 | 90LB ⁽¹⁾ | 4 | 2036 |
| 655,2 | 26 | 2,6 | 1,42 | HR051 | 100LB | 6 | 2037 |
| 560,0 | 31 | 2,9 | 2,50 | HA61 | 90LB ⁽¹⁾ | 4 | 2531 |
| 550,0 | 31 | 1,1 | 2,55 | HR041 | 90LB ⁽¹⁾ | 4 | 770 |
| 544,4 | 31 | 2,4 | 2,57 | HR051 | 90LB ⁽¹⁾ | 4 | 2145 |
| 515,8 | 33 | 1,0 | 2,71 | HR041 | 90LB ⁽¹⁾ | 4 | 780 |
| 475,5 | 36 | 1,1 | 2,94 | HA51 | 90LB ⁽¹⁾ | 4 | 1786 |
| 450,8 | 38 | 1,2 | 3,11 | HR041 | 90LB ⁽¹⁾ | 4 | 800 |
| 442,1 | 39 | 2,2 | 3,17 | HR051 | 90LB ⁽¹⁾ | 4 | 2267 |
| 442,1 | 39 | 3,6 | 3,17 | HR061 | 90LB ⁽¹⁾ | 4 | 3414 |
| 437,6 | 40 | 1,7 | 2,13 | HR051 | 100LB | 6 | 2271 |
| 437,6 | 40 | 3,5 | 2,13 | HR061 | 100LB | 6 | 3423 |
| 390,2 | 44 | 1,0 | 3,59 | HR041 | 90LB ⁽¹⁾ | 4 | 820 |
| 379,7 | 45 | 2,0 | 3,69 | HR051 | 90LB ⁽¹⁾ | 4 | 2358 |
| 379,7 | 45 | 3,3 | 3,69 | HR061 | 90LB ⁽¹⁾ | 4 | 3573 |
| 372,0 | 47 | 2,0 | 2,50 | HA61 | 100LB | 6 | 2901 |
| 361,7 | 48 | 1,6 | 2,57 | HR051 | 100LB | 6 | 2384 |
| 361,7 | 48 | 3,1 | 2,57 | HR061 | 100LB | 6 | 3622 |
| 350,0 | 49 | 1,8 | 4,00 | HR051 | 90LB ⁽¹⁾ | 4 | 2406 |
| 350,0 | 49 | 3,1 | 4,00 | HR061 | 90LB ⁽¹⁾ | 4 | 3659 |
| 319,3 | 54 | 2,0 | 4,38 | HA61 | 90LB ⁽¹⁾ | 4 | 3053 |
| 298,1 | 57 | 1,7 | 4,70 | H032 | 90LB ⁽¹⁾ | 4 | 3417 |
| 294,7 | 58 | 0,9 | 4,75 | HA51 | 90LB ⁽¹⁾ | 4 | 2095 |
| 293,7 | 59 | 1,5 | 3,17 | HR051 | 100LB | 6 | 2500 |
| 293,7 | 59 | 2,5 | 3,17 | HR061 | 100LB | 6 | 3700 |
| 293,5 | 58 | 1,6 | 4,77 | HR051 | 90LB ⁽¹⁾ | 4 | 2500 |
| 293,5 | 58 | 2,7 | 4,77 | HR061 | 90LB ⁽¹⁾ | 4 | 3700 |
| 272,2 | 62 | 3,9 | 5,14 | HA52 | 90LB ⁽¹⁾ | 4 | 2842 |
| 266,7 | 64 | 1,6 | 5,25 | HR051 | 90LB ⁽¹⁾ | 4 | 2500 |

⁽¹⁾ Available only with brake motor (TBS)

1,85 kW

| n2 [rpm] | M2 [Nm] | fs | i | Gear reducer | Motor Size | Pole | Fr2 [N] |
|-------------|------------|-----|------|-----------------|---------------------|------|------------|
| 266,7 | 64 | 2,6 | 5,25 | HR061 | 90LB ⁽¹⁾ | 4 | 3700 |
| 260,3 | 65 | 2,1 | 5,38 | HA42 | 90LB ⁽¹⁾ | 4 | 2308 |
| 256,3 | 66 | 2,4 | 5,46 | H042 | 90LB ⁽¹⁾ | 4 | 4690 |
| 252,2 | 69 | 1,4 | 3,69 | HR051 | 100LB | 6 | 2500 |
| 252,2 | 69 | 2,3 | 3,69 | HR061 | 100LB | 6 | 3700 |
| 244,4 | 69 | 3,7 | 5,73 | H052 | 90LB ⁽¹⁾ | 4 | 6117 |
| 240,6 | 71 | 1,4 | 5,82 | HR051 | 90LB ⁽¹⁾ | 4 | 2500 |
| 240,6 | 71 | 2,4 | 5,82 | HR061 | 90LB ⁽¹⁾ | 4 | 3700 |
| 232,5 | 74 | 1,3 | 4,00 | HR051 | 100LB | 6 | 2500 |
| 232,5 | 74 | 2,1 | 4,00 | HR061 | 100LB | 6 | 3700 |
| 225,0 | 75 | 3,2 | 6,22 | HA52 | 90LB ⁽¹⁾ | 4 | 3029 |
| 224,7 | 75 | 1,4 | 6,23 | H032 | 90LB ⁽¹⁾ | 4 | 3616 |
| 214,8 | 79 | 1,8 | 6,52 | HA42 | 90LB ⁽¹⁾ | 4 | 2461 |
| 212,1 | 82 | 1,4 | 4,38 | HA61 | 100LB | 6 | 3499 |
| 203,1 | 84 | 3,5 | 6,89 | H052 | 90LB ⁽¹⁾ | 4 | 6438 |
| 199,3 | 87 | 3,9 | 4,67 | HR081 | 100LB | 6 | 4000 |
| 198,0 | 86 | 1,2 | 4,70 | H032 | 100LB | 6 | 3689 |
| 195,0 | 89 | 1,1 | 4,77 | HR051 | 100LB | 6 | 2500 |
| 195,0 | 89 | 1,9 | 4,77 | HR061 | 100LB | 6 | 3700 |
| 194,8 | 87 | 1,8 | 7,19 | H042 | 90LB ⁽¹⁾ | 4 | 5013 |
| 190,9 | 90 | 1,1 | 7,33 | HR051 | 90LB ⁽¹⁾ | 4 | 2500 |
| 190,9 | 90 | 1,9 | 7,33 | HR061 | 90LB ⁽¹⁾ | 4 | 3700 |
| 186,7 | 92 | 3,8 | 7,50 | HR081 | 90LB ⁽¹⁾ | 4 | 4000 |
| 181,0 | 94 | 2,6 | 7,73 | HA52 | 90LB ⁽¹⁾ | 4 | 3256 |
| 180,8 | 95 | 2,7 | 5,14 | HA52 | 100LB | 6 | 3257 |
| 180,6 | 95 | 0,9 | 7,75 | HA61 | 90LB ⁽¹⁾ | 4 | 3691 |
| 180,4 | 94 | 1,3 | 7,76 | H032 | 90LB ⁽¹⁾ | 4 | 3754 |
| 177,1 | 98 | 1,1 | 5,25 | HR051 | 100LB | 6 | 2500 |
| 177,1 | 98 | 1,8 | 5,25 | HR061 | 100LB | 6 | 3700 |
| 172,6 | 98 | 1,3 | 8,11 | HA42 | 90LB ⁽¹⁾ | 4 | 2647 |
| 170,3 | 101 | 1,7 | 5,46 | H042 | 100LB | 6 | 5162 |
| 167,9 | 103 | 3,4 | 5,54 | HR081 | 100LB | 6 | 4000 |
| 167,2 | 103 | 1,0 | 8,38 | HR051 | 90LB ⁽¹⁾ | 4 | 2500 |
| 167,2 | 103 | 1,7 | 8,38 | HR061 | 90LB ⁽¹⁾ | 4 | 3700 |
| 165,8 | 103 | 3,4 | 8,44 | HR081 | 90LB ⁽¹⁾ | 4 | 4000 |
| 164,2 | 103 | 3,3 | 8,53 | H052 | 90LB ⁽¹⁾ | 4 | 6815 |
| 162,4 | 105 | 2,6 | 5,73 | H052 | 100LB | 6 | 6827 |
| 159,8 | 108 | 1,0 | 5,82 | HR051 | 100LB | 6 | 2500 |
| 159,8 | 108 | 1,6 | 5,82 | HR061 | 100LB | 6 | 3700 |
| 157,9 | 107 | 1,2 | 8,87 | H032 | 90LB ⁽¹⁾ | 4 | 3827 |
| 157,1 | 108 | 1,9 | 8,91 | H042 | 90LB ⁽¹⁾ | 4 | 5262 |
| 152,9 | 113 | 3,2 | 6,08 | HR081 | 100LB | 6 | 4000 |

⁽¹⁾ Available only with brake motor (TBS)

1,85 kW

| n2 [rpm] | M2 [Nm] | fs | i | Gear reducer | Motor Size | Pole | Fr2 [N] |
|-------------|------------|-----|-------|-----------------|---------------------|------|------------|
| 149,5 | 115 | 2,2 | 6,22 | HA52 | 100LB | 6 | 3471 |
| 149,5 | 115 | 3,5 | 6,22 | HA62 | 100LB | 6 | 5123 |
| 149,3 | 115 | 1,0 | 6,23 | H032 | 100LB | 6 | 3843 |
| 146,4 | 116 | 3,2 | 9,56 | H052 | 90LB ⁽¹⁾ | 4 | 7020 |
| 145,2 | 117 | 2,6 | 9,64 | HA52 | 90LB ⁽¹⁾ | 4 | 3505 |
| 145,2 | 117 | 3,9 | 9,64 | HA62 | 90LB ⁽¹⁾ | 4 | 5173 |
| 138,0 | 123 | 1,1 | 10,14 | H032 | 90LB ⁽¹⁾ | 4 | 3891 |
| 135,7 | 125 | 1,9 | 10,31 | H042 | 90LB ⁽¹⁾ | 4 | 5425 |
| 134,9 | 127 | 2,4 | 6,89 | H052 | 100LB | 6 | 7159 |
| 129,4 | 132 | 1,3 | 7,19 | H042 | 100LB | 6 | 5466 |
| 128,0 | 132 | 1,1 | 10,94 | HA42 | 90LB ⁽¹⁾ | 4 | 2924 |
| 126,8 | 136 | 1,3 | 7,33 | HR061 | 100LB | 6 | 3700 |
| 124,0 | 140 | 2,6 | 7,50 | HR081 | 100LB | 6 | 4000 |
| 121,6 | 139 | 2,8 | 11,51 | H052 | 90LB ⁽¹⁾ | 4 | 7354 |
| 120,3 | 142 | 1,8 | 7,73 | HA52 | 100LB | 6 | 3732 |
| 120,3 | 142 | 2,8 | 7,73 | HA62 | 100LB | 6 | 5508 |
| 120,0 | 141 | 2,0 | 11,67 | HA52 | 90LB ⁽¹⁾ | 4 | 3735 |
| 120,0 | 141 | 3,1 | 11,67 | HA62 | 90LB ⁽¹⁾ | 4 | 5512 |
| 119,8 | 143 | 0,9 | 7,76 | H032 | 100LB | 6 | 3929 |
| 119,0 | 142 | 1,0 | 11,76 | H032 | 90LB ⁽¹⁾ | 4 | 3946 |
| 118,6 | 143 | 1,7 | 11,80 | H042 | 90LB ⁽¹⁾ | 4 | 5569 |
| 111,0 | 156 | 1,1 | 8,38 | HR061 | 100LB | 6 | 3700 |
| 110,1 | 157 | 2,3 | 8,44 | HR081 | 100LB | 6 | 4000 |
| 109,1 | 157 | 2,3 | 8,53 | H052 | 100LB | 6 | 7540 |
| 105,7 | 161 | 0,9 | 13,25 | HA42 | 90LB ⁽¹⁾ | 4 | 3117 |
| 104,3 | 164 | 1,3 | 8,91 | H042 | 100LB | 6 | 5686 |
| 103,2 | 164 | 1,5 | 13,57 | H042 | 90LB ⁽¹⁾ | 4 | 5710 |
| 102,0 | 166 | 1,0 | 13,72 | H032 | 90LB ⁽¹⁾ | 4 | 3982 |
| 99,1 | 173 | 3,6 | 9,39 | H062 | 100LB | 6 | 12000 |
| 98,3 | 172 | 2,5 | 14,24 | H052 | 90LB ⁽¹⁾ | 4 | 7736 |
| 97,3 | 176 | 2,2 | 9,56 | H052 | 100LB | 6 | 7744 |
| 96,6 | 176 | 1,6 | 14,50 | HA52 | 90LB ⁽¹⁾ | 4 | 4015 |
| 96,6 | 176 | 2,4 | 14,50 | HA62 | 90LB ⁽¹⁾ | 4 | 5926 |
| 96,4 | 178 | 1,8 | 9,64 | HA52 | 100LB | 6 | 4017 |
| 96,4 | 178 | 2,7 | 9,64 | HA62 | 100LB | 6 | 5929 |
| 95,5 | 178 | 1,0 | 14,66 | H032 | 90LB ⁽¹⁾ | 4 | 3990 |
| 94,9 | 179 | 3,9 | 14,75 | H062 | 90LB ⁽¹⁾ | 4 | 12000 |
| 90,2 | 190 | 1,3 | 10,31 | H042 | 100LB | 6 | 5820 |
| 87,7 | 193 | 1,3 | 15,96 | H042 | 90LB ⁽¹⁾ | 4 | 5859 |
| 84,4 | 201 | 2,2 | 16,59 | H052 | 90LB ⁽¹⁾ | 4 | 8000 |
| 83,5 | 203 | 0,9 | 16,77 | H032 | 90LB ⁽¹⁾ | 4 | 3989 |
| 82,8 | 205 | 1,5 | 16,91 | HA52 | 90LB ⁽¹⁾ | 4 | 4227 |

⁽¹⁾ Available only with brake motor (TBS)

1,85 kW

| n ₂ [rpm] | M ₂ [Nm] | f _s | i | Gear reducer | Motor | | Fr ₂ [N] |
|-------------------------|------------------------|----------------|-------|-----------------|---------------------|------|------------------------|
| | | | | | Size | Pole | |
| 82,8 | 205 | 2,4 | 16,91 | HA62 | 90LB ⁽¹⁾ | 4 | 6238 |
| 80,8 | 212 | 1,9 | 11,51 | H052 | 100LB | 6 | 8000 |
| 79,7 | 215 | 1,4 | 11,67 | HA52 | 100LB | 6 | 4280 |
| 79,7 | 215 | 2,1 | 11,67 | HA62 | 100LB | 6 | 6317 |
| 79,6 | 215 | 3,2 | 11,69 | H062 | 100LB | 6 | 12000 |
| 79,2 | 214 | 3,9 | 17,67 | H062 | 90LB ⁽¹⁾ | 4 | 12000 |
| 78,8 | 217 | 1,2 | 11,80 | H042 | 100LB | 6 | 5928 |
| 77,8 | 218 | 2,1 | 18,00 | H052 | 90LB ⁽¹⁾ | 4 | 8000 |
| 76,9 | 220 | 0,9 | 18,20 | H032 | 90LB ⁽¹⁾ | 4 | 3976 |
| 73,7 | 230 | 1,1 | 19,00 | H042 | 90LB ⁽¹⁾ | 4 | 5996 |
| 73,4 | 233 | 3,2 | 12,67 | H062 | 100LB | 6 | 12000 |
| 70,1 | 242 | 1,9 | 19,97 | H052 | 90LB ⁽¹⁾ | 4 | 8000 |
| 69,0 | 246 | 3,5 | 20,28 | H062 | 90LB ⁽¹⁾ | 4 | 12000 |
| 68,5 | 250 | 1,1 | 13,57 | H042 | 100LB | 6 | 6023 |
| 68,4 | 248 | 1,2 | 20,46 | HA52 | 90LB ⁽¹⁾ | 4 | 4504 |
| 68,4 | 248 | 1,9 | 20,46 | HA62 | 90LB ⁽¹⁾ | 4 | 6647 |
| 66,7 | 254 | 1,0 | 21,00 | H042 | 90LB ⁽¹⁾ | 4 | 6060 |
| 65,3 | 262 | 1,7 | 14,24 | H052 | 100LB | 6 | 8000 |
| 64,6 | 262 | 1,8 | 21,67 | H052 | 90LB ⁽¹⁾ | 4 | 8000 |
| 64,1 | 267 | 1,1 | 14,50 | HA52 | 100LB | 6 | 4602 |
| 64,1 | 267 | 1,7 | 14,50 | HA62 | 100LB | 6 | 6792 |
| 63,1 | 272 | 2,7 | 14,75 | H062 | 100LB | 6 | 12000 |
| 60,5 | 280 | 0,9 | 23,15 | H042 | 90LB ⁽¹⁾ | 4 | 6111 |
| 60,2 | 282 | 3,0 | 23,27 | H062 | 90LB ⁽¹⁾ | 4 | 12000 |
| 57,1 | 300 | 2,8 | 16,29 | H062 | 100LB | 6 | 12000 |
| 56,7 | 299 | 1,6 | 24,71 | H052 | 90LB ⁽¹⁾ | 4 | 8000 |
| 56,0 | 306 | 1,5 | 16,59 | H052 | 100LB | 6 | 8000 |
| 55,1 | 308 | 0,9 | 25,43 | HA52 | 90LB ⁽¹⁾ | 4 | 4842 |
| 55,1 | 308 | 1,4 | 25,43 | HA62 | 90LB ⁽¹⁾ | 4 | 7147 |
| 55,0 | 312 | 1,0 | 16,91 | HA52 | 100LB | 6 | 4844 |
| 55,0 | 312 | 1,7 | 16,91 | HA62 | 100LB | 6 | 7150 |
| 54,5 | 311 | 2,7 | 25,70 | H062 | 90LB ⁽¹⁾ | 4 | 12000 |
| 53,5 | 317 | 1,5 | 26,18 | H052 | 90LB ⁽¹⁾ | 4 | 8000 |
| 52,6 | 325 | 2,7 | 17,67 | H062 | 100LB | 6 | 12000 |
| 51,7 | 332 | 1,5 | 18,00 | H052 | 100LB | 6 | 8000 |
| 49,2 | 345 | 1,4 | 28,44 | H052 | 90LB ⁽¹⁾ | 4 | 8000 |
| 47,7 | 355 | 2,3 | 29,33 | H062 | 90LB ⁽¹⁾ | 4 | 12000 |
| 46,8 | 362 | 0,8 | 29,89 | HA52 | 90LB ⁽¹⁾ | 4 | 5110 |
| 46,8 | 362 | 1,2 | 29,89 | HA62 | 90LB ⁽¹⁾ | 4 | 7543 |
| 46,6 | 368 | 1,3 | 19,97 | H052 | 100LB | 6 | 8000 |
| 45,9 | 374 | 2,4 | 20,28 | H062 | 100LB | 6 | 12000 |
| 45,5 | 377 | 0,8 | 20,46 | HA52 | 100LB | 6 | 5162 |

⁽¹⁾ Available only with brake motor (TBS)

1,85 kW

| n2 [rpm] | M2 [Nm] | fs | i | Gear reducer | Motor | | Fr2 [N] |
|-------------|------------|-----|-------|-----------------|---------------------|------|------------|
| | | | | | Size | Pole | |
| 45,5 | 377 | 1,3 | 20,46 | HA62 | 100LB | 6 | 7618 |
| 44,4 | 382 | 1,3 | 31,52 | H052 | 90LB ⁽¹⁾ | 4 | 8000 |
| 43,8 | 388 | 2,2 | 32,00 | H062 | 90LB ⁽¹⁾ | 4 | 12000 |
| 42,9 | 399 | 1,2 | 21,67 | H052 | 100LB | 6 | 8000 |
| 42,4 | 400 | 1,2 | 33,00 | H052 | 90LB ⁽¹⁾ | 4 | 8000 |
| 40,7 | 416 | 3,8 | 34,38 | H082 | 90LB ⁽¹⁾ | 4 | 18000 |
| 40,0 | 429 | 2,1 | 23,27 | H062 | 100LB | 6 | 12000 |
| 38,7 | 438 | 1,1 | 36,17 | HA62 | 90LB ⁽¹⁾ | 4 | 8000 |
| 37,8 | 448 | 1,8 | 36,99 | H062 | 90LB ⁽¹⁾ | 4 | 12000 |
| 37,6 | 455 | 1,1 | 24,71 | H052 | 100LB | 6 | 8000 |
| 36,6 | 468 | 1,0 | 25,43 | HA62 | 100LB | 6 | 8000 |
| 36,2 | 473 | 1,9 | 25,70 | H062 | 100LB | 6 | 12000 |
| 36,2 | 469 | 3,4 | 38,70 | H082 | 90LB ⁽¹⁾ | 4 | 18000 |
| 35,9 | 472 | 1,0 | 38,98 | H052 | 90LB ⁽¹⁾ | 4 | 8000 |
| 35,5 | 482 | 1,1 | 26,18 | H052 | 100LB | 6 | 8000 |
| 35,0 | 490 | 3,4 | 26,60 | H082 | 100LB | 6 | 18000 |
| 34,7 | 489 | 1,7 | 40,33 | H062 | 90LB ⁽¹⁾ | 4 | 12000 |
| 33,4 | 514 | 3,3 | 27,88 | H082 | 100LB | 6 | 18000 |
| 32,7 | 524 | 1,0 | 28,44 | H052 | 100LB | 6 | 8000 |
| 32,7 | 518 | 3,1 | 42,75 | H082 | 90LB ⁽¹⁾ | 4 | 18000 |
| 31,7 | 540 | 1,6 | 29,33 | H062 | 100LB | 6 | 12000 |
| 31,1 | 545 | 0,8 | 44,95 | HA62 | 90LB ⁽¹⁾ | 4 | 8000 |
| 30,4 | 558 | 1,5 | 46,06 | H062 | 90LB ⁽¹⁾ | 4 | 12000 |
| 29,9 | 574 | 2,9 | 31,15 | H082 | 100LB | 6 | 18000 |
| 29,1 | 589 | 1,5 | 32,00 | H062 | 100LB | 6 | 12000 |
| 29,1 | 583 | 2,7 | 48,13 | H082 | 90LB ⁽¹⁾ | 4 | 18000 |
| 28,3 | 587 | 1,4 | 49,45 | H063 | 90LB ⁽¹⁾ | 4 | 12000 |
| 28,1 | 591 | 0,8 | 49,80 | HA63 | 90LB ⁽¹⁾ | 4 | 8000 |
| 27,1 | 633 | 2,7 | 34,38 | H082 | 100LB | 6 | 18000 |
| 25,6 | 648 | 1,3 | 54,61 | H063 | 90LB ⁽¹⁾ | 4 | 12000 |
| 25,1 | 681 | 1,2 | 36,99 | H062 | 100LB | 6 | 12000 |
| 24,8 | 671 | 2,4 | 56,53 | H083 | 90LB ⁽¹⁾ | 4 | 18000 |
| 24,0 | 713 | 2,4 | 38,70 | H082 | 100LB | 6 | 18000 |
| 23,1 | 743 | 1,2 | 40,33 | H062 | 100LB | 6 | 12000 |
| 21,8 | 787 | 2,1 | 42,75 | H082 | 100LB | 6 | 18000 |
| 20,6 | 807 | 1,1 | 68,00 | H063 | 90LB ⁽¹⁾ | 4 | 12000 |
| 20,2 | 848 | 1,1 | 46,06 | H062 | 100LB | 6 | 12000 |
| 19,6 | 848 | 2,1 | 71,48 | H083 | 90LB ⁽¹⁾ | 4 | 18000 |
| 19,3 | 887 | 1,9 | 48,13 | H082 | 100LB | 6 | 18000 |
| 18,8 | 892 | 1,0 | 49,45 | H063 | 100LB | 6 | 12000 |
| 18,1 | 949 | 3,7 | 51,52 | H102 | 100LB | 6 | 22000 |
| 17,8 | 936 | 1,9 | 78,87 | H083 | 90LB ⁽¹⁾ | 4 | 18000 |

⁽¹⁾ Available only with brake motor (TBS)

1,85 kW

| n2 [rpm] | M2 [Nm] | fs | i | Gear reducer | Motor Size | Pole | Fr2 [N] |
|-------------|------------|-----|--------|-----------------|---------------------|------|------------|
| 17,0 | 985 | 0,9 | 54,61 | H063 | 100LB | 6 | 12000 |
| 16,5 | 1019 | 1,6 | 56,53 | H083 | 100LB | 6 | 18000 |
| 16,4 | 1015 | 1,8 | 85,56 | H083 | 90LB ⁽¹⁾ | 4 | 18000 |
| 14,3 | 1164 | 1,5 | 98,09 | H083 | 90LB ⁽¹⁾ | 4 | 18000 |
| 13,3 | 1257 | 2,9 | 69,69 | H103 | 100LB | 6 | 22000 |
| 13,0 | 1289 | 1,5 | 71,48 | H083 | 100LB | 6 | 18000 |
| 12,6 | 1329 | 3,9 | 73,71 | H123 | 100LB | 6 | 30000 |
| 12,4 | 1338 | 1,3 | 112,78 | H083 | 90LB ⁽¹⁾ | 4 | 18000 |
| 11,8 | 1423 | 1,3 | 78,87 | H083 | 100LB | 6 | 18000 |
| 11,7 | 1440 | 2,6 | 79,82 | H103 | 100LB | 6 | 22000 |
| 11,3 | 1476 | 1,2 | 124,44 | H083 | 90LB ⁽¹⁾ | 4 | 18000 |
| 11,2 | 1503 | 3,5 | 83,34 | H123 | 100LB | 6 | 30000 |
| 11,1 | 1518 | 2,4 | 84,16 | H103 | 100LB | 6 | 22000 |
| 10,9 | 1543 | 1,2 | 85,56 | H083 | 100LB | 6 | 18000 |
| 10,3 | 1623 | 3,2 | 89,97 | H123 | 100LB | 6 | 30000 |
| 10,0 | 1684 | 2,2 | 93,36 | H103 | 100LB | 6 | 22000 |
| 9,8 | 1686 | 1,1 | 142,15 | H083 | 90LB ⁽¹⁾ | 4 | 18000 |
| 9,8 | 1701 | 2,1 | 143,42 | H103 | 90LB ⁽¹⁾ | 4 | 22000 |
| 9,5 | 1769 | 1,1 | 98,09 | H083 | 100LB | 6 | 18000 |
| 9,3 | 1805 | 2,0 | 100,07 | H103 | 100LB | 6 | 22000 |
| 9,3 | 1809 | 2,9 | 100,29 | H123 | 100LB | 6 | 30000 |
| 9,0 | 1836 | 1,0 | 154,76 | H083 | 90LB ⁽¹⁾ | 4 | 18000 |
| 8,7 | 1908 | 1,8 | 160,82 | H103 | 90LB ⁽¹⁾ | 4 | 22000 |
| 8,6 | 1926 | 0,9 | 162,35 | H083 | 90LB ⁽¹⁾ | 4 | 18000 |
| 8,6 | 1954 | 2,7 | 108,34 | H123 | 100LB | 6 | 30000 |
| 8,2 | 2034 | 0,9 | 112,78 | H083 | 100LB | 6 | 18000 |
| 7,8 | 2139 | 2,5 | 118,62 | H123 | 100LB | 6 | 30000 |
| 7,7 | 2179 | 1,7 | 120,84 | H103 | 100LB | 6 | 22000 |
| 7,7 | 2148 | 1,6 | 181,07 | H103 | 90LB ⁽¹⁾ | 4 | 22000 |
| 7,3 | 2312 | 2,3 | 128,18 | H123 | 100LB | 6 | 30000 |
| 7,2 | 2304 | 1,5 | 194,21 | H103 | 90LB ⁽¹⁾ | 4 | 22000 |
| 6,9 | 2418 | 1,5 | 134,06 | H103 | 100LB | 6 | 22000 |
| 6,5 | 2587 | 1,4 | 143,42 | H103 | 100LB | 6 | 22000 |
| 6,5 | 2556 | 1,4 | 215,45 | H103 | 90LB ⁽¹⁾ | 4 | 22000 |
| 6,4 | 2611 | 2,0 | 144,79 | H123 | 100LB | 6 | 30000 |
| 6,0 | 2800 | 1,9 | 155,22 | H123 | 100LB | 6 | 30000 |
| 5,8 | 2901 | 1,3 | 160,82 | H103 | 100LB | 6 | 22000 |
| 5,8 | 2878 | 1,3 | 242,59 | H103 | 90LB ⁽¹⁾ | 4 | 22000 |
| 5,4 | 3117 | 1,7 | 172,80 | H123 | 100LB | 6 | 30000 |
| 5,1 | 3266 | 1,1 | 181,07 | H103 | 100LB | 6 | 22000 |
| 4,9 | 3412 | 1,5 | 189,19 | H123 | 100LB | 6 | 30000 |
| 4,8 | 3503 | 1,0 | 194,21 | H103 | 100LB | 6 | 22000 |

⁽¹⁾ Available only with brake motor (TBS)

1,85 kW

| n2 [rpm] | M2 [Nm] | fs | i | Gear reducer | Motor Size | Pole | Fr2 [N] |
|----------|---------|-----|--------|--------------|------------|------|---------|
| 4,5 | 3741 | 1,4 | 207,43 | H123 | 100LB | 6 | 30000 |
| 4,3 | 3886 | 0,9 | 215,45 | H103 | 100LB | 6 | 22000 |
| 4,0 | 4165 | 1,3 | 230,92 | H123 | 100LB | 6 | 30000 |
| 3,6 | 4683 | 1,1 | 259,64 | H123 | 100LB | 6 | 30000 |

2,20 kW

| n2 [rpm] | M2 [Nm] | fs | i | Gear reducer | Motor Size | Pole | Fr2 [N] |
|----------|---------|-----|------|--------------|-------------|------|---------|
| 2262,9 | 9 | 3,9 | 1,27 | HR051 | 90L | 2 | 1407 |
| 2003,5 | 10 | 2,1 | 1,44 | HR041 | 90L | 2 | 552 |
| 1988,6 | 10 | 3,0 | 1,45 | HA51 | 90L | 2 | 1109 |
| 1440,0 | 14 | 1,5 | 2,00 | HR041 | 90L | 2 | 602 |
| 1355,3 | 15 | 3,4 | 2,13 | HR051 | 90L | 2 | 1641 |
| 1152,0 | 17 | 4,0 | 2,50 | HA61 | 90L | 2 | 1990 |
| 1123,6 | 18 | 1,5 | 2,55 | HR041 | 90L | 2 | 641 |
| 1123,6 | 18 | 2,5 | 1,27 | HR051 | 100LA/112MR | 4 | 1729 |
| 1120,0 | 18 | 3,2 | 2,57 | HR051 | 90L | 2 | 1735 |
| 1061,1 | 19 | 1,4 | 2,71 | HR041 | 90L | 2 | 650 |
| 1007,5 | 20 | 3,2 | 1,42 | HR051 | 100LA/112MR | 4 | 1784 |
| 978,1 | 20 | 1,5 | 2,94 | HA51 | 90L | 2 | 1404 |
| 927,5 | 21 | 1,6 | 3,11 | HR041 | 90L | 2 | 671 |
| 909,5 | 22 | 2,9 | 3,17 | HR051 | 90L | 2 | 1841 |
| 802,6 | 25 | 1,4 | 3,59 | HR041 | 90L | 2 | 694 |
| 781,0 | 25 | 2,7 | 3,69 | HR051 | 90L | 2 | 1921 |
| 730,7 | 28 | 1,7 | 1,27 | HR051 | 112M/112MA | 6 | 1949 |
| 715,0 | 28 | 2,5 | 4,00 | HR051 | 90L | 2 | 1968 |
| 697,5 | 30 | 3,2 | 1,33 | HA61 | 112M/112MA | 6 | 2353 |
| 692,1 | 30 | 3,5 | 1,34 | HR061 | 112M/112MA | 6 | 2960 |
| 685,7 | 29 | 1,2 | 4,20 | HR041 | 90L | 2 | 717 |
| 672,9 | 30 | 2,1 | 2,13 | HR051 | 100LA/112MR | 4 | 1995 |
| 656,8 | 30 | 2,8 | 4,38 | HA61 | 90L | 2 | 2400 |
| 655,2 | 31 | 2,2 | 1,42 | HR051 | 112M/112MA | 6 | 2007 |
| 613,3 | 32 | 2,2 | 4,70 | H032 | 90L | 2 | 2830 |
| 603,9 | 33 | 2,2 | 4,77 | HR051 | 90L | 2 | 2060 |
| 603,9 | 33 | 3,7 | 4,77 | HR061 | 90L | 2 | 3090 |
| 602,1 | 33 | 1,1 | 4,75 | HA51 | 90L | 2 | 1651 |
| 572,0 | 36 | 2,5 | 2,50 | HA61 | 100LA/112MR | 4 | 2514 |
| 556,1 | 37 | 2,0 | 2,57 | HR051 | 100LA/112MR | 4 | 2098 |
| 556,1 | 37 | 3,8 | 2,57 | HR061 | 100LA/112MR | 4 | 3162 |
| 548,6 | 36 | 2,1 | 5,25 | HR051 | 90L | 2 | 2113 |
| 548,6 | 36 | 3,6 | 5,25 | HR061 | 90L | 2 | 3181 |
| 531,7 | 37 | 2,9 | 5,38 | HA42 | 90L | 2 | 1819 |

2,20 kW

| n2 [rpm] | M2 [Nm] | fs | i | Gear reducer | Motor Size | Pole | Fr2 [N] |
|-------------|------------|-----|-------|-----------------|---------------|------|------------|
| 528,0 | 37 | 1,0 | 5,45 | HA51 | 90L | 2 | 1725 |
| 527,2 | 37 | 3,3 | 5,46 | H042 | 90L | 2 | 3823 |
| 495,0 | 40 | 1,9 | 5,82 | HR051 | 90L | 2 | 2170 |
| 495,0 | 40 | 3,2 | 5,82 | HR061 | 90L | 2 | 3280 |
| 462,3 | 42 | 1,9 | 6,23 | H032 | 90L | 2 | 3031 |
| 451,6 | 45 | 1,9 | 3,17 | HR051 | 100LA/112MR | 4 | 2212 |
| 451,6 | 45 | 3,1 | 3,17 | HR061 | 100LA/112MR | 4 | 3364 |
| 441,9 | 44 | 2,4 | 6,52 | HA42 | 90L | 2 | 1935 |
| 437,6 | 47 | 1,5 | 2,13 | HR051 | 112M/112MA | 6 | 2226 |
| 437,6 | 47 | 2,9 | 2,13 | HR061 | 112M/112MA | 6 | 3393 |
| 400,7 | 49 | 2,5 | 7,19 | H042 | 90L | 2 | 4118 |
| 392,7 | 50 | 1,5 | 7,33 | HR051 | 90L | 2 | 2299 |
| 392,7 | 50 | 2,5 | 7,33 | HR061 | 90L | 2 | 3511 |
| 387,8 | 53 | 1,7 | 3,69 | HR051 | 100LA/112MR | 4 | 2295 |
| 387,8 | 53 | 2,9 | 3,69 | HR061 | 100LA/112MR | 4 | 3517 |
| 372,0 | 55 | 1,7 | 2,50 | HA61 | 112M/112MA | 6 | 2901 |
| 371,6 | 53 | 1,3 | 7,75 | HA61 | 90L | 2 | 2902 |
| 369,8 | 53 | 3,4 | 7,73 | HA52 | 90L | 2 | 2566 |
| 368,4 | 53 | 1,8 | 7,76 | H032 | 90L | 2 | 3189 |
| 361,7 | 57 | 1,4 | 2,57 | HR051 | 112M/112MA | 6 | 2329 |
| 361,7 | 57 | 2,6 | 2,57 | HR061 | 112M/112MA | 6 | 3586 |
| 357,5 | 57 | 1,6 | 4,00 | HR051 | 100LA/112MR | 4 | 2339 |
| 357,5 | 57 | 2,6 | 4,00 | HR061 | 100LA/112MR | 4 | 3601 |
| 355,1 | 55 | 1,8 | 8,11 | HA42 | 90L | 2 | 2081 |
| 341,5 | 58 | 1,3 | 8,38 | HR051 | 90L | 2 | 2376 |
| 341,5 | 58 | 2,2 | 8,38 | HR061 | 90L | 2 | 3657 |
| 324,8 | 60 | 1,6 | 8,87 | H032 | 90L | 2 | 3274 |
| 323,9 | 63 | 1,7 | 4,38 | HA61 | 100LA/112MR | 4 | 3038 |
| 320,9 | 61 | 2,6 | 8,91 | H042 | 90L | 2 | 4361 |
| 302,4 | 67 | 1,4 | 4,70 | H032 | 100LA/112MR | 4 | 3297 |
| 299,8 | 68 | 1,4 | 4,77 | HR051 | 100LA/112MR | 4 | 2433 |
| 299,8 | 68 | 2,4 | 4,77 | HR061 | 100LA/112MR | 4 | 3700 |
| 296,6 | 66 | 3,4 | 9,64 | HA52 | 90L | 2 | 2762 |
| 293,7 | 70 | 1,3 | 3,17 | HR051 | 112M/112MA | 6 | 2440 |
| 293,7 | 70 | 2,1 | 3,17 | HR061 | 112M/112MA | 6 | 3700 |
| 283,9 | 69 | 1,5 | 10,14 | H032 | 90L | 2 | 3361 |
| 279,2 | 70 | 2,6 | 10,31 | H042 | 90L | 2 | 4515 |
| 278,1 | 73 | 3,3 | 5,14 | HA52 | 100LA/112MR | 4 | 2822 |
| 272,4 | 75 | 1,3 | 5,25 | HR051 | 100LA/112MR | 4 | 2483 |
| 272,4 | 75 | 2,3 | 5,25 | HR061 | 100LA/112MR | 4 | 3700 |
| 263,3 | 74 | 1,5 | 10,94 | HA42 | 90L | 2 | 2299 |
| 260,0 | 78 | 2,1 | 5,46 | H042 | 100LA/112MR | 4 | 4571 |

2,20 kW

| n ₂ [rpm] | M ₂ [Nm] | f _s | i | Gear reducer | Motor | | Fr ₂ [N] |
|-------------------------|------------------------|----------------|-------|-----------------|-------------|------|------------------------|
| | | | | | Size | Pole | |
| 252,2 | 82 | 1,2 | 3,69 | HR051 | 112M/112MA | 6 | 2500 |
| 252,2 | 82 | 1,9 | 3,69 | HR061 | 112M/112MA | 6 | 3700 |
| 250,2 | 78 | 3,8 | 11,51 | H052 | 90L | 2 | 6011 |
| 249,7 | 81 | 3,2 | 5,73 | H052 | 100LA/112MR | 4 | 5995 |
| 246,9 | 79 | 2,7 | 11,67 | HA52 | 90L | 2 | 2936 |
| 244,1 | 80 | 2,4 | 11,80 | H042 | 90L | 2 | 4663 |
| 244,1 | 84 | 1,2 | 5,82 | HR051 | 100LA/112MR | 4 | 2500 |
| 244,1 | 84 | 2,0 | 5,82 | HR061 | 100LA/112MR | 4 | 3700 |
| 243,2 | 80 | 1,4 | 11,76 | H032 | 90L | 2 | 3455 |
| 235,1 | 87 | 3,9 | 6,08 | HR081 | 100LA | 4 | 4000 |
| 232,5 | 89 | 1,1 | 4,00 | HR051 | 112M/112MA | 6 | 2500 |
| 232,5 | 89 | 1,8 | 4,00 | HR061 | 112M/112MA | 6 | 3700 |
| 232,5 | 89 | 3,8 | 4,00 | HR081 | 112M/112MA | 6 | 4000 |
| 229,8 | 88 | 2,7 | 6,22 | HA52 | 100LA/112MR | 4 | 3007 |
| 229,6 | 88 | 1,2 | 6,23 | H032 | 100LA/112MR | 4 | 3456 |
| 217,4 | 90 | 1,2 | 13,25 | HA42 | 90L | 2 | 2451 |
| 212,2 | 92 | 2,0 | 13,57 | H042 | 90L | 2 | 4815 |
| 212,1 | 97 | 1,2 | 4,38 | HA61 | 112M/112MA | 6 | 3499 |
| 209,9 | 93 | 1,4 | 13,72 | H032 | 90L | 2 | 3537 |
| 206,0 | 98 | 3,0 | 6,89 | H052 | 100LA/112MR | 4 | 6309 |
| 200,9 | 97 | 3,3 | 14,24 | H052 | 90L | 2 | 6374 |
| 199,3 | 103 | 3,3 | 4,67 | HR081 | 112M/112MA | 6 | 4000 |
| 197,6 | 102 | 1,6 | 7,19 | H042 | 100LA/112MR | 4 | 4862 |
| 197,2 | 99 | 2,1 | 14,50 | HA52 | 90L | 2 | 3164 |
| 197,2 | 99 | 3,2 | 14,50 | HA62 | 90L | 2 | 4671 |
| 195,1 | 100 | 1,3 | 14,66 | H032 | 90L | 2 | 3574 |
| 195,0 | 106 | 0,9 | 4,77 | HR051 | 112M/112MA | 6 | 2500 |
| 195,0 | 106 | 1,6 | 4,77 | HR061 | 112M/112MA | 6 | 3700 |
| 195,0 | 105 | 1,6 | 7,33 | HR061 | 100LA/112MR | 4 | 3700 |
| 189,3 | 108 | 3,3 | 7,50 | HR081 | 100LA/112MR | 4 | 4000 |
| 183,6 | 110 | 2,2 | 7,73 | HA52 | 100LA/112MR | 4 | 3241 |
| 183,6 | 110 | 3,5 | 7,73 | HA62 | 100LA/112MR | 4 | 4783 |
| 182,9 | 110 | 1,1 | 7,76 | H032 | 100LA/112MR | 4 | 3563 |
| 180,8 | 113 | 2,2 | 5,14 | HA52 | 112M/112MA | 6 | 3257 |
| 180,8 | 113 | 3,5 | 5,14 | HA62 | 112M/112MA | 6 | 4808 |
| 179,2 | 109 | 1,7 | 15,96 | H042 | 90L | 2 | 4995 |
| 177,1 | 116 | 0,9 | 5,25 | HR051 | 112M/112MA | 6 | 2500 |
| 177,1 | 116 | 1,5 | 5,25 | HR061 | 112M/112MA | 6 | 3700 |
| 172,4 | 113 | 3,0 | 16,59 | H052 | 90L | 2 | 6631 |
| 170,6 | 114 | 1,2 | 16,77 | H032 | 90L | 2 | 3633 |
| 170,3 | 120 | 1,4 | 5,46 | H042 | 112M/112MA | 6 | 5004 |
| 169,6 | 120 | 1,4 | 8,38 | HR061 | 100LA/112MR | 4 | 3700 |

2,20 kW

| n2 [rpm] | M2 [Nm] | fs | i | Gear reducer | Motor Size | Pole | Fr2 [N] |
|-------------|------------|-----|-------|-----------------|---------------|------|------------|
| 169,1 | 115 | 2,0 | 16,91 | HA52 | 90L | 2 | 3331 |
| 169,1 | 115 | 3,3 | 16,91 | HA62 | 90L | 2 | 4917 |
| 168,2 | 121 | 2,9 | 8,44 | HR081 | 100LA/112MR | 4 | 4000 |
| 167,9 | 123 | 2,8 | 5,54 | HR081 | 112M/112MA | 6 | 4000 |
| 166,5 | 121 | 2,8 | 8,53 | H052 | 100LA/112MR | 4 | 6660 |
| 162,4 | 125 | 2,2 | 5,73 | H052 | 112M/112MA | 6 | 6694 |
| 160,2 | 126 | 1,0 | 8,87 | H032 | 100LA/112MR | 4 | 3612 |
| 160,0 | 122 | 2,8 | 18,00 | H052 | 90L | 2 | 6756 |
| 159,8 | 129 | 1,4 | 5,82 | HR061 | 112M/112MA | 6 | 3700 |
| 159,3 | 127 | 1,7 | 8,91 | H042 | 100LA/112MR | 4 | 5079 |
| 157,1 | 124 | 1,2 | 18,20 | H032 | 90L | 2 | 3664 |
| 152,9 | 135 | 2,7 | 6,08 | HR081 | 112M/112MA | 6 | 4000 |
| 150,5 | 129 | 1,5 | 19,00 | H042 | 90L | 2 | 5172 |
| 149,5 | 136 | 1,8 | 6,22 | HA52 | 112M/112MA | 6 | 3471 |
| 149,5 | 136 | 2,9 | 6,22 | HA62 | 112M/112MA | 6 | 5123 |
| 148,5 | 136 | 2,7 | 9,56 | H052 | 100LA/112MR | 4 | 6850 |
| 147,3 | 137 | 2,2 | 9,64 | HA52 | 100LA/112MR | 4 | 3488 |
| 147,3 | 137 | 3,4 | 9,64 | HA62 | 100LA/112MR | 4 | 5149 |
| 143,7 | 135 | 1,1 | 19,90 | H032 | 90L | 2 | 3692 |
| 143,2 | 136 | 2,5 | 19,97 | H052 | 90L | 2 | 6943 |
| 140,0 | 144 | 1,0 | 10,14 | H032 | 100LA/112MR | 4 | 3647 |
| 139,8 | 139 | 1,6 | 20,46 | HA52 | 90L | 2 | 3549 |
| 139,8 | 139 | 2,5 | 20,46 | HA62 | 90L | 2 | 5239 |
| 137,7 | 147 | 1,6 | 10,31 | H042 | 100LA/112MR | 4 | 5216 |
| 136,2 | 143 | 1,3 | 21,00 | H042 | 90L | 2 | 5269 |
| 134,9 | 151 | 2,0 | 6,89 | H052 | 112M/112MA | 6 | 6998 |
| 132,0 | 147 | 2,4 | 21,67 | H052 | 90L | 2 | 7080 |
| 126,8 | 162 | 1,1 | 7,33 | HR061 | 112M/112MA | 6 | 3700 |
| 125,8 | 162 | 3,6 | 7,39 | H062 | 112M/112MA | 6 | 12000 |
| 124,0 | 166 | 2,2 | 7,50 | HR081 | 112M/112MA | 6 | 4000 |
| 123,6 | 158 | 1,2 | 23,15 | H042 | 90L | 2 | 5359 |
| 123,4 | 163 | 2,4 | 11,51 | H052 | 100LA/112MR | 4 | 7155 |
| 121,7 | 166 | 1,7 | 11,67 | HA52 | 100LA/112MR | 4 | 3717 |
| 121,7 | 166 | 2,7 | 11,67 | HA62 | 100LA/112MR | 4 | 5486 |
| 121,5 | 166 | 3,9 | 11,69 | H062 | 100LA | 4 | 12000 |
| 120,3 | 168 | 1,5 | 11,80 | H042 | 100LA/112MR | 4 | 5333 |
| 120,3 | 169 | 1,5 | 7,73 | HA52 | 112M/112MA | 6 | 3732 |
| 120,3 | 169 | 2,4 | 7,73 | HA62 | 112M/112MA | 6 | 5508 |
| 115,8 | 168 | 2,1 | 24,71 | H052 | 90L | 2 | 7299 |
| 112,5 | 173 | 1,2 | 25,43 | HA52 | 90L | 2 | 3816 |
| 112,5 | 173 | 1,9 | 25,43 | HA62 | 90L | 2 | 5633 |
| 112,1 | 180 | 3,9 | 12,67 | H062 | 100LA | 4 | 12000 |

2,20 kW

| n ₂ [rpm] | M ₂ [Nm] | f _s | i | Gear reducer | Motor Size | Pole | Fr ₂ [N] |
|-------------------------|------------------------|----------------|-------|-----------------|---------------|------|------------------------|
| 111,3 | 175 | 3,6 | 25,70 | H062 | 90L | 2 | 12000 |
| 111,0 | 185 | 1,0 | 8,38 | HR061 | 112M/112MA | 6 | 3700 |
| 110,7 | 186 | 3,7 | 8,40 | HR101 | 112M/112MA | 6 | 5000 |
| 110,1 | 187 | 2,0 | 8,44 | HR081 | 112M/112MA | 6 | 4000 |
| 109,8 | 177 | 1,1 | 26,04 | H042 | 90L | 2 | 5459 |
| 109,4 | 186 | 3,4 | 8,50 | H062 | 112M/112MA | 6 | 12000 |
| 109,2 | 178 | 2,1 | 26,18 | H052 | 90L | 2 | 7394 |
| 109,1 | 187 | 1,9 | 8,53 | H052 | 112M/112MA | 6 | 7341 |
| 104,6 | 193 | 1,3 | 13,57 | H042 | 100LA/112MR | 4 | 5442 |
| 104,0 | 187 | 1,1 | 27,50 | H042 | 90L | 2 | 5503 |
| 100,6 | 194 | 1,9 | 28,44 | H052 | 90L | 2 | 7529 |
| 99,7 | 202 | 2,1 | 14,24 | H052 | 100LA/112MR | 4 | 7495 |
| 99,1 | 206 | 3,1 | 9,39 | H062 | 112M/112MA | 6 | 12000 |
| 97,9 | 206 | 1,4 | 14,50 | HA52 | 100LA/112MR | 4 | 3996 |
| 97,9 | 206 | 2,0 | 14,50 | HA62 | 100LA/112MR | 4 | 5898 |
| 97,5 | 200 | 3,0 | 29,33 | H062 | 90L | 2 | 12000 |
| 97,3 | 209 | 1,9 | 9,56 | H052 | 112M/112MA | 6 | 7521 |
| 96,4 | 211 | 1,5 | 9,64 | HA52 | 112M/112MA | 6 | 4017 |
| 96,4 | 211 | 2,3 | 9,64 | HA62 | 112M/112MA | 6 | 5929 |
| 96,3 | 210 | 3,3 | 14,75 | H062 | 100LA/112MR | 4 | 12000 |
| 95,7 | 203 | 1,1 | 29,89 | HA52 | 90L | 2 | 4027 |
| 95,7 | 203 | 1,7 | 29,89 | HA62 | 90L | 2 | 5944 |
| 93,9 | 207 | 1,0 | 30,45 | H042 | 90L | 2 | 5578 |
| 90,8 | 214 | 1,7 | 31,52 | H052 | 90L | 2 | 7694 |
| 89,4 | 218 | 2,9 | 32,00 | H062 | 90L | 2 | 12000 |
| 89,0 | 227 | 1,1 | 15,96 | H042 | 100LA/112MR | 4 | 5548 |
| 87,2 | 231 | 3,5 | 16,29 | H062 | 100LA/112MR | 4 | 12000 |
| 86,7 | 225 | 1,6 | 33,00 | H052 | 90L | 2 | 7766 |
| 85,6 | 236 | 1,9 | 16,59 | H052 | 100LA/112MR | 4 | 7730 |
| 84,0 | 240 | 1,2 | 16,91 | HA52 | 100LA/112MR | 4 | 4207 |
| 84,0 | 240 | 2,1 | 16,91 | HA62 | 100LA/112MR | 4 | 6209 |
| 80,8 | 252 | 1,6 | 11,51 | H052 | 112M/112MA | 6 | 7799 |
| 80,4 | 251 | 3,3 | 17,67 | H062 | 100LA/112MR | 4 | 12000 |
| 79,7 | 256 | 1,2 | 11,67 | HA52 | 112M/112MA | 6 | 4280 |
| 79,7 | 256 | 1,8 | 11,67 | HA62 | 112M/112MA | 6 | 6317 |
| 79,6 | 256 | 2,7 | 11,69 | H062 | 112M/112MA | 6 | 12000 |
| 79,1 | 246 | 1,4 | 36,17 | HA62 | 90L | 2 | 6334 |
| 78,9 | 256 | 1,8 | 18,00 | H052 | 100LA/112MR | 4 | 7850 |
| 77,3 | 252 | 2,4 | 36,99 | H062 | 90L | 2 | 12000 |
| 74,7 | 270 | 0,9 | 19,00 | H042 | 100LA/112MR | 4 | 5630 |
| 73,4 | 265 | 1,4 | 38,98 | H052 | 90L | 2 | 8000 |
| 73,4 | 277 | 2,6 | 12,67 | H062 | 112M/112MA | 6 | 12000 |

2,20 kW

| n2 [rpm] | M2 [Nm] | fs | i | Gear reducer | Motor | | Fr2 [N] |
|-------------|------------|-----|-------|-----------------|-------------|------|------------|
| | | | | | Size | Pole | |
| 71,1 | 284 | 1,6 | 19,97 | H052 | 100LA/112MR | 4 | 7997 |
| 70,9 | 274 | 2,3 | 40,33 | H062 | 90L | 2 | 12000 |
| 70,7 | 288 | 0,9 | 13,57 | H042 | 112M | 6 | 5623 |
| 70,0 | 288 | 3,0 | 20,28 | H062 | 100LA/112MR | 4 | 12000 |
| 69,4 | 291 | 1,0 | 20,46 | HA52 | 100LA/112MR | 4 | 4482 |
| 69,4 | 291 | 1,6 | 20,46 | HA62 | 100LA/112MR | 4 | 6616 |
| 65,5 | 308 | 1,5 | 21,67 | H052 | 100LA/112MR | 4 | 8000 |
| 65,3 | 312 | 1,4 | 14,24 | H052 | 112M/112MA | 6 | 8000 |
| 64,1 | 318 | 1,4 | 14,50 | HA62 | 112M/112MA | 6 | 6792 |
| 63,6 | 306 | 1,1 | 44,95 | HA62 | 90L | 2 | 6810 |
| 63,1 | 323 | 2,3 | 14,75 | H062 | 112M/112MA | 6 | 12000 |
| 63,0 | 309 | 1,2 | 45,36 | H052 | 90L | 2 | 8000 |
| 62,1 | 313 | 2,0 | 46,06 | H062 | 90L | 2 | 12000 |
| 61,0 | 331 | 2,6 | 23,27 | H062 | 100LA/112MR | 4 | 12000 |
| 59,4 | 328 | 3,7 | 48,13 | H082 | 90L | 2 | 18000 |
| 58,2 | 334 | 1,1 | 49,13 | H052 | 90L | 2 | 8000 |
| 57,8 | 330 | 1,9 | 49,45 | H063 | 90L | 2 | 12000 |
| 57,5 | 351 | 1,3 | 24,71 | H052 | 100LA/112MR | 4 | 8000 |
| 57,4 | 332 | 1,1 | 49,80 | HA63 | 90L | 2 | 7047 |
| 57,1 | 357 | 2,4 | 16,29 | H062 | 112M/112MA | 6 | 12000 |
| 56,0 | 363 | 1,3 | 16,59 | H052 | 112M/112MA | 6 | 8000 |
| 55,8 | 361 | 1,2 | 25,43 | HA62 | 100LA/112MR | 4 | 7113 |
| 55,3 | 365 | 2,3 | 25,70 | H062 | 100LA/112MR | 4 | 12000 |
| 55,0 | 370 | 1,4 | 16,91 | HA62 | 112M/112MA | 6 | 7150 |
| 54,2 | 372 | 1,3 | 26,18 | H052 | 100LA/112MR | 4 | 8000 |
| 52,6 | 387 | 2,3 | 17,67 | H062 | 112M/112MA | 6 | 12000 |
| 52,4 | 364 | 1,8 | 54,61 | H063 | 90L | 2 | 12000 |
| 51,7 | 394 | 1,2 | 18,00 | H052 | 112M/112MA | 6 | 8000 |
| 50,6 | 377 | 3,2 | 56,53 | H083 | 90L | 2 | 18000 |
| 50,2 | 406 | 3,9 | 18,53 | H082 | 112MA | 6 | 18000 |
| 49,9 | 404 | 1,2 | 28,44 | H052 | 100LA/112MR | 4 | 8000 |
| 48,4 | 417 | 1,9 | 29,33 | H062 | 100LA/112MR | 4 | 12000 |
| 48,0 | 425 | 4,0 | 19,38 | H082 | 112MA | 6 | 18000 |
| 45,9 | 444 | 2,0 | 20,28 | H062 | 112M/112MA | 6 | 12000 |
| 45,6 | 443 | 3,6 | 31,15 | H082 | 100LA/112MR | 4 | 18000 |
| 45,5 | 448 | 1,1 | 20,46 | HA62 | 112M/112MA | 6 | 7618 |
| 45,1 | 448 | 1,1 | 31,52 | H052 | 100LA/112MR | 4 | 8000 |
| 44,4 | 455 | 1,9 | 32,00 | H062 | 100LA/112MR | 4 | 12000 |
| 43,5 | 469 | 3,6 | 21,39 | H082 | 112M/112MA | 6 | 18000 |
| 42,1 | 453 | 1,4 | 68,00 | H063 | 90L | 2 | 12000 |
| 41,3 | 488 | 3,3 | 34,38 | H082 | 100LA/112MR | 4 | 18000 |
| 40,8 | 499 | 3,4 | 22,80 | H082 | 112M/112MA | 6 | 18000 |

5.1 H/HA GEARED MOTORS (50Hz)

2,20 kW

| n2 [rpm] | M2 [Nm] | fs | i | Gear reducer | Motor | | Fr2 [N] |
|-------------|------------|-----|--------|-----------------|-------------|------|------------|
| | | | | | Size | Pole | |
| 40,0 | 510 | 1,8 | 23,27 | H062 | 112M/112MA | 6 | 12000 |
| 40,0 | 476 | 2,8 | 71,48 | H083 | 90L | 2 | 18000 |
| 38,4 | 525 | 1,5 | 36,99 | H062 | 100LA/112MR | 4 | 12000 |
| 37,6 | 541 | 0,9 | 24,71 | H052 | 112M/112MA | 6 | 8000 |
| 37,5 | 539 | 0,9 | 38,98 | H052 | 112MR | 4 | 8000 |
| 36,7 | 556 | 0,9 | 26,18 | H052 | 112M | 6 | 8000 |
| 36,7 | 550 | 2,9 | 38,70 | H082 | 100LA/112MR | 4 | 18000 |
| 36,6 | 557 | 0,8 | 25,43 | HA62 | 112M/112MA | 6 | 8000 |
| 36,3 | 526 | 2,6 | 78,87 | H083 | 90L | 2 | 18000 |
| 36,2 | 563 | 1,6 | 25,70 | H062 | 112M/112MA | 6 | 12000 |
| 35,2 | 573 | 1,5 | 40,33 | H062 | 100LA/112MR | 4 | 12000 |
| 35,0 | 583 | 2,9 | 26,60 | H082 | 112M/112MA | 6 | 18000 |
| 33,4 | 611 | 2,8 | 27,88 | H082 | 112M/112MA | 6 | 18000 |
| 33,4 | 570 | 2,4 | 85,56 | H083 | 90L | 2 | 18000 |
| 33,3 | 572 | 1,1 | 85,82 | H063 | 90L | 2 | 12000 |
| 33,2 | 607 | 2,6 | 42,75 | H082 | 100LA/112MR | 4 | 18000 |
| 31,7 | 643 | 1,3 | 29,33 | H062 | 112M/112MA | 6 | 12000 |
| 30,8 | 654 | 1,3 | 46,06 | H062 | 100LA/112MR | 4 | 12000 |
| 30,2 | 631 | 1,0 | 94,76 | H063 | 90L | 2 | 12000 |
| 29,9 | 682 | 2,5 | 31,15 | H082 | 112M/112MA | 6 | 18000 |
| 29,5 | 684 | 2,3 | 48,13 | H082 | 100LA/112MR | 4 | 18000 |
| 29,2 | 654 | 2,1 | 98,09 | H083 | 90L | 2 | 18000 |
| 29,1 | 701 | 1,3 | 32,00 | H062 | 112M/112MA | 6 | 12000 |
| 28,7 | 688 | 1,2 | 49,45 | H063 | 100LA/112MR | 4 | 12000 |
| 27,1 | 753 | 2,2 | 34,38 | H082 | 112M/112MA | 6 | 18000 |
| 26,0 | 759 | 1,1 | 54,61 | H063 | 100LA/112MR | 4 | 12000 |
| 25,4 | 752 | 1,8 | 112,78 | H083 | 90L | 2 | 18000 |
| 25,1 | 786 | 2,0 | 56,53 | H083 | 100LA/112MR | 4 | 18000 |
| 24,2 | 842 | 3,5 | 38,45 | H102 | 112M/112MA | 6 | 22000 |
| 24,0 | 848 | 2,0 | 38,70 | H082 | 112M/112MA | 6 | 18000 |
| 23,0 | 829 | 1,6 | 124,44 | H083 | 90L | 2 | 18000 |
| 22,5 | 905 | 3,8 | 41,30 | H102 | 112M/112MA | 6 | 22000 |
| 21,8 | 936 | 1,8 | 42,75 | H082 | 112M/112MA | 6 | 18000 |
| 21,0 | 939 | 0,9 | 68,00 | H063 | 100LA/112MR | 4 | 12000 |
| 20,8 | 977 | 0,9 | 46,06 | H062 | 112M | 6 | 12000 |
| 20,4 | 969 | 3,6 | 69,69 | H103 | 100LA/112MR | 4 | 22000 |
| 20,3 | 1004 | 3,5 | 45,82 | H102 | 112M/112MA | 6 | 22000 |
| 20,1 | 947 | 1,4 | 142,15 | H083 | 90L | 2 | 18000 |
| 19,9 | 994 | 1,8 | 71,48 | H083 | 100LA/112MR | 4 | 18000 |
| 19,9 | 956 | 2,7 | 143,42 | H103 | 90L | 2 | 22000 |
| 19,3 | 1054 | 1,6 | 48,13 | H082 | 112M/112MA | 6 | 18000 |
| 18,5 | 1031 | 1,3 | 154,76 | H083 | 90L | 2 | 18000 |

2,20 kW

| n ₂ [rpm] | M ₂ [Nm] | f _s | i | Gear reducer | Motor | | Fr ₂ [N] |
|-------------------------|------------------------|----------------|--------|-----------------|----------------------|------|------------------------|
| | | | | | Size | Pole | |
| 18,1 | 1128 | 3,1 | 51,52 | H102 | 112M/112MA | 6 | 22000 |
| 18,0 | 1097 | 1,6 | 78,87 | H083 | 100LA/112MR | 4 | 18000 |
| 17,8 | 1110 | 3,2 | 79,82 | H103 | 100LA/112MR | 4 | 22000 |
| 17,8 | 1072 | 2,4 | 160,82 | H103 | 90L | 2 | 22000 |
| 17,6 | 1082 | 1,2 | 162,35 | H083 | 90L | 2 | 18000 |
| 16,9 | 1170 | 3,0 | 84,16 | H103 | 100LA/112MR | 4 | 22000 |
| 16,6 | 1190 | 1,5 | 85,56 | H083 | 100LA/112MR | 4 | 18000 |
| 16,5 | 1212 | 1,4 | 56,53 | H083 | 112M/112MA | 6 | 18000 |
| 16,0 | 1194 | 1,1 | 179,13 | H083 | 90L | 2 | 18000 |
| 15,8 | 1207 | 2,2 | 181,07 | H103 | 90L | 2 | 22000 |
| 15,8 | 1251 | 4,0 | 89,97 | H123 | 100LA ⁽¹⁾ | 4 | 30000 |
| 15,2 | 1299 | 2,7 | 93,36 | H103 | 100LA/112MR | 4 | 22000 |
| 14,7 | 1300 | 1,0 | 195,07 | H083 | 90L | 2 | 18000 |
| 14,7 | 1294 | 2,0 | 194,21 | H103 | 90L | 2 | 22000 |
| 14,5 | 1364 | 1,3 | 98,09 | H083 | 100LA/112MR | 4 | 18000 |
| 14,2 | 1392 | 2,5 | 100,07 | H103 | 100LA/112MR | 4 | 22000 |
| 14,2 | 1395 | 3,6 | 100,29 | H123 | 100LA/112MR | 4 | 30000 |
| 13,8 | 1444 | 3,6 | 67,32 | H123 | 112M/112MA | 6 | 30000 |
| 13,3 | 1495 | 2,5 | 69,69 | H103 | 112M/112MA | 6 | 22000 |
| 13,3 | 1436 | 1,8 | 215,45 | H103 | 90L | 2 | 22000 |
| 13,1 | 1507 | 3,3 | 108,34 | H123 | 100LA/112MR | 4 | 30000 |
| 13,0 | 1533 | 1,2 | 71,48 | H083 | 112M/112MA | 6 | 18000 |
| 12,6 | 1569 | 1,1 | 112,78 | H083 | 100LA/112MR | 4 | 18000 |
| 12,6 | 1581 | 3,3 | 73,71 | H123 | 112M/112MA | 6 | 30000 |
| 12,0 | 1650 | 3,0 | 118,62 | H123 | 100LA/112MR | 4 | 30000 |
| 11,8 | 1681 | 2,1 | 120,84 | H103 | 100LA/112MR | 4 | 22000 |
| 11,8 | 1617 | 1,7 | 242,59 | H103 | 90L | 2 | 22000 |
| 11,7 | 1712 | 2,1 | 79,82 | H103 | 112M/112MA | 6 | 22000 |
| 11,4 | 1731 | 1,0 | 124,44 | H083 | 100LA/112MR | 4 | 18000 |
| 11,2 | 1787 | 2,9 | 83,34 | H123 | 112M/112MA | 6 | 30000 |
| 11,1 | 1805 | 2,0 | 84,16 | H103 | 112M/112MA | 6 | 22000 |
| 11,1 | 1783 | 2,8 | 128,18 | H123 | 100LA/112MR | 4 | 30000 |
| 10,6 | 1865 | 1,9 | 134,06 | H103 | 100LA/112MR | 4 | 22000 |
| 10,3 | 1930 | 2,7 | 89,97 | H123 | 112M/112MA | 6 | 30000 |
| 10,0 | 1977 | 0,9 | 142,15 | H083 | 100LA/112MR | 4 | 18000 |
| 10,0 | 2002 | 1,8 | 93,36 | H103 | 112M/112MA | 6 | 22000 |
| 9,9 | 1995 | 1,8 | 143,42 | H103 | 100LA/112MR | 4 | 22000 |
| 9,8 | 2038 | 0,9 | 98,09 | H083 | 112M | 6 | 18000 |
| 9,8 | 2014 | 2,5 | 144,79 | H123 | 100LA/112MR | 4 | 30000 |
| 9,3 | 2146 | 1,7 | 100,07 | H103 | 112M/112MA | 6 | 22000 |
| 9,3 | 2151 | 2,4 | 100,29 | H123 | 112M/112MA | 6 | 30000 |
| 9,1 | 2159 | 2,3 | 155,22 | H123 | 100LA/112MR | 4 | 30000 |

⁽¹⁾ Available only with brake motor (TBS)

2,20 kW

| n ₂ [rpm] | M ₂ [Nm] | f _s | i | Gear reducer | Motor | | Fr ₂ [N] |
|-------------------------|------------------------|----------------|--------|-----------------|-------------|------|------------------------|
| | | | | | Size | Pole | |
| 8,8 | 2237 | 1,6 | 160,82 | H103 | 100LA/112MR | 4 | 22000 |
| 8,6 | 2324 | 2,3 | 108,34 | H123 | 112M/112MA | 6 | 30000 |
| 8,2 | 2403 | 2,1 | 172,80 | H123 | 100LA/112MR | 4 | 30000 |
| 7,8 | 2518 | 1,4 | 181,07 | H103 | 100LA/112MR | 4 | 22000 |
| 7,8 | 2544 | 2,1 | 118,62 | H123 | 112M/112MA | 6 | 30000 |
| 7,7 | 2592 | 1,4 | 120,84 | H103 | 112M/112MA | 6 | 22000 |
| 7,5 | 2631 | 1,9 | 189,19 | H123 | 100LA/112MR | 4 | 30000 |
| 7,3 | 2701 | 1,3 | 194,21 | H103 | 100LA/112MR | 4 | 22000 |
| 7,3 | 2749 | 1,9 | 128,18 | H123 | 112M/112MA | 6 | 30000 |
| 6,9 | 2875 | 1,3 | 134,06 | H103 | 112M/112MA | 6 | 22000 |
| 6,8 | 2885 | 1,7 | 207,43 | H123 | 100LA/112MR | 4 | 30000 |
| 6,6 | 2997 | 1,2 | 215,45 | H103 | 100LA/112MR | 4 | 22000 |
| 6,5 | 3076 | 1,2 | 143,42 | H103 | 112M/112MA | 6 | 22000 |
| 6,4 | 3105 | 1,7 | 144,79 | H123 | 112M/112MA | 6 | 30000 |
| 6,1 | 3212 | 1,6 | 230,92 | H123 | 100LA/112MR | 4 | 30000 |
| 6,0 | 3329 | 1,6 | 155,22 | H123 | 112M/112MA | 6 | 30000 |
| 5,9 | 3374 | 1,1 | 242,59 | H103 | 100LA/112MR | 4 | 22000 |
| 5,5 | 3611 | 1,4 | 259,64 | H123 | 100LA/112MR | 4 | 30000 |
| 5,4 | 3706 | 1,4 | 172,80 | H123 | 112M/112MA | 6 | 30000 |
| 4,9 | 4035 | 0,9 | 194,21 | H103 | 112M | 6 | 22000 |
| 4,9 | 4058 | 1,3 | 189,19 | H123 | 112M/112MA | 6 | 30000 |
| 4,5 | 4449 | 1,2 | 207,43 | H123 | 112M/112MA | 6 | 30000 |

3,00 kW

| n ₂ [rpm] | M ₂ [Nm] | f _s | i | Gear reducer | Motor | | Fr ₂ [N] |
|-------------------------|------------------------|----------------|------|-----------------|-------------|------|------------------------|
| | | | | | Size | Pole | |
| 2278,6 | 12 | 2,9 | 1,27 | HR051 | 100L/100LA | 2 | 1385 |
| 2043,2 | 13 | 3,7 | 1,42 | HR051 | 100L/100LA | 2 | 1430 |
| 1364,7 | 20 | 2,5 | 2,13 | HR051 | 100L/100LA | 2 | 1606 |
| 1160,0 | 23 | 2,9 | 2,50 | HA61 | 100L/100LA | 2 | 1986 |
| 1127,8 | 24 | 2,4 | 2,57 | HR051 | 100L/100LA | 2 | 1693 |
| 1123,6 | 25 | 1,8 | 1,27 | HR051 | 100LB/112MS | 4 | 1689 |
| 1072,5 | 26 | 3,5 | 1,33 | HA61 | 100LB/112MS | 4 | 2038 |
| 1064,2 | 26 | 3,8 | 1,34 | HR061 | 100LB/112MS | 4 | 2567 |
| 1007,5 | 28 | 2,4 | 1,42 | HR051 | 100LB/112MS | 4 | 1740 |
| 906,3 | 30 | 2,2 | 3,17 | HR051 | 100L/100LA | 2 | 1795 |
| 906,3 | 30 | 3,5 | 3,17 | HR061 | 100L/100LA | 2 | 2698 |
| 786,4 | 34 | 2,0 | 3,69 | HR051 | 100L/100LA | 2 | 1863 |
| 786,4 | 34 | 3,3 | 3,69 | HR061 | 100L/100LA | 2 | 2815 |
| 730,7 | 38 | 1,2 | 1,27 | HR051 | 112MB | 6 | 1887 |
| 725,0 | 37 | 1,8 | 4,00 | HR051 | 100L/100LA | 2 | 1901 |
| 725,0 | 37 | 3,0 | 4,00 | HR061 | 100L/100LA | 2 | 2884 |

3,00 kW

| n ₂ [rpm] | M ₂ [Nm] | f _s | i | Gear reducer | Motor | | Fr ₂ [N] |
|-------------------------|------------------------|----------------|------|-----------------|----------------------|------|------------------------|
| | | | | | Size | Pole | |
| 697,5 | 40 | 2,3 | 1,33 | HA61 | 112MB | 6 | 2353 |
| 692,1 | 41 | 2,6 | 1,34 | HR061 | 112MB | 6 | 2916 |
| 668,2 | 42 | 1,6 | 2,13 | HR051 | 100LB/112MS | 4 | 1932 |
| 668,2 | 42 | 3,1 | 2,13 | HR061 | 100LB/112MS | 4 | 2948 |
| 661,4 | 41 | 2,0 | 4,38 | HA61 | 100L/100LA | 2 | 2395 |
| 655,2 | 43 | 1,6 | 1,42 | HR051 | 112MB | 6 | 1938 |
| 617,6 | 43 | 1,7 | 4,70 | H032 | 100L/100LA | 2 | 2706 |
| 601,8 | 45 | 1,6 | 4,77 | HR051 | 100L/100LA | 2 | 1990 |
| 601,8 | 45 | 2,7 | 4,77 | HR061 | 100L/100LA | 2 | 3046 |
| 572,0 | 49 | 1,9 | 2,50 | HA61 | 100LB/112MS | 4 | 2514 |
| 558,1 | 48 | 3,8 | 5,14 | HA52 | 100L/100LA | 2 | 2237 |
| 556,1 | 50 | 1,5 | 2,57 | HR051 | 100LB/112MS | 4 | 2017 |
| 556,1 | 50 | 2,8 | 2,57 | HR061 | 100LB/112MS | 4 | 3109 |
| 552,4 | 49 | 1,5 | 5,25 | HR051 | 100L/100LA | 2 | 2031 |
| 552,4 | 49 | 2,6 | 5,25 | HR061 | 100L/100LA | 2 | 3122 |
| 525,4 | 51 | 2,4 | 5,46 | H042 | 100L/100LA | 2 | 3715 |
| 501,1 | 53 | 3,7 | 5,73 | H052 | 100L/100LA | 2 | 4839 |
| 498,4 | 54 | 1,4 | 5,82 | HR051 | 100L/100LA | 2 | 2080 |
| 498,4 | 54 | 2,4 | 5,82 | HR061 | 100L/100LA | 2 | 3216 |
| 461,3 | 58 | 3,1 | 6,22 | HA52 | 100L/100LA | 2 | 2384 |
| 460,7 | 58 | 1,4 | 6,23 | H032 | 100L/100LA | 2 | 2873 |
| 451,6 | 62 | 1,4 | 3,17 | HR051 | 100LB/112MS | 4 | 2113 |
| 451,6 | 62 | 2,3 | 3,17 | HR061 | 100LB/112MS | 4 | 3298 |
| 437,6 | 64 | 1,1 | 2,13 | HR051 | 112MB | 6 | 2123 |
| 437,6 | 64 | 2,1 | 2,13 | HR061 | 112MB | 6 | 3325 |
| 416,3 | 64 | 3,4 | 6,89 | H052 | 100L/100LA | 2 | 5095 |
| 403,5 | 66 | 1,8 | 7,19 | H042 | 100L/100LA | 2 | 3965 |
| 391,4 | 69 | 1,9 | 7,33 | HR061 | 100L/100LA | 2 | 3442 |
| 387,8 | 72 | 1,3 | 3,69 | HR051 | 100LB/112MS | 4 | 2180 |
| 387,8 | 72 | 2,1 | 3,69 | HR061 | 100LB/112MS | 4 | 3441 |
| 382,7 | 70 | 3,7 | 7,50 | HR081 | 100L/100LA | 2 | 3981 |
| 372,0 | 75 | 1,3 | 2,50 | HA61 | 112MB | 6 | 2901 |
| 371,1 | 72 | 2,5 | 7,73 | HA52 | 100L/100LA | 2 | 2563 |
| 371,1 | 72 | 4,0 | 7,73 | HA62 | 100LA ⁽¹⁾ | 2 | 3783 |
| 369,7 | 72 | 1,3 | 7,76 | H032 | 100L/100LA | 2 | 2988 |
| 361,7 | 78 | 1,0 | 2,57 | HR051 | 112MB | 6 | 2204 |
| 361,7 | 78 | 1,9 | 2,57 | HR061 | 112MB | 6 | 3504 |
| 357,5 | 78 | 1,2 | 4,00 | HR051 | 100LB/112MS | 4 | 2214 |
| 357,5 | 78 | 1,9 | 4,00 | HR061 | 100LB/112MS | 4 | 3518 |
| 342,7 | 78 | 1,6 | 8,38 | HR061 | 100L/100LA | 2 | 3570 |
| 339,9 | 79 | 3,3 | 8,44 | HR081 | 100L/100LA | 2 | 4000 |
| 336,6 | 79 | 3,2 | 8,53 | H052 | 100L/100LA | 2 | 5395 |

⁽¹⁾ Available only with brake motor (TBS)

5.1 H/HA GEARED MOTORS (50Hz)

3,00 kW

| n2 [rpm] | M2 [Nm] | fs | i | Gear reducer | Motor | | Fr2 [N] |
|-------------|------------|-----|-------|-----------------|------------------|------|------------|
| | | | | | Size | Pole | |
| 323,9 | 86 | 1,3 | 4,38 | HA61 | 100LB/112MS | 4 | 3038 |
| 323,7 | 82 | 1,2 | 8,87 | H032 | 100L/100LA | 2 | 3049 |
| 306,4 | 91 | 3,5 | 4,67 | HR081 | 100LB/112MS | 4 | 4000 |
| 303,3 | 88 | 3,2 | 9,56 | H052 | 100L/100LA | 2 | 5544 |
| 302,4 | 91 | 1,0 | 4,70 | H032 | 100LB/112MS | 4 | 3044 |
| 299,8 | 93 | 1,0 | 4,77 | HR051 | 100LB/112MS | 4 | 2284 |
| 299,8 | 93 | 1,7 | 4,77 | HR061 | 100LB/112MS | 4 | 3687 |
| 297,6 | 89 | 2,5 | 9,64 | HA52 | 100L/100LA | 2 | 2759 |
| 297,6 | 89 | 3,9 | 9,64 | HA62 | 100L/100LA | 2 | 4072 |
| 293,7 | 96 | 0,9 | 3,17 | HR051 | 112MB | 6 | 2286 |
| 293,7 | 96 | 1,5 | 3,17 | HR061 | 112MB | 6 | 3700 |
| 286,2 | 98 | 3,4 | 3,25 | HR081 | 112MB/132S/132SA | 6 | 4000 |
| 282,9 | 94 | 1,1 | 10,14 | H032 | 100L/100LA | 2 | 3103 |
| 276,1 | 100 | 2,4 | 5,14 | HA52 | 100LB/112MS | 4 | 2829 |
| 276,1 | 100 | 3,8 | 5,14 | HA62 | 100LB/112MS | 4 | 4175 |
| 270,5 | 103 | 1,0 | 5,25 | HR051 | 100LB/112MS | 4 | 2322 |
| 270,5 | 103 | 1,7 | 5,25 | HR061 | 100LB/112MS | 4 | 3700 |
| 260,0 | 106 | 1,5 | 5,46 | H042 | 100LB/112MS | 4 | 4337 |
| 258,2 | 108 | 3,1 | 5,54 | HR081 | 100LB/112MS | 4 | 4000 |
| 252,2 | 111 | 1,4 | 3,69 | HR061 | 112MB | 6 | 3700 |
| 249,9 | 112 | 3,0 | 3,72 | HR081 | 112MB/132S/132SA | 6 | 4000 |
| 249,3 | 106 | 2,7 | 11,51 | H052 | 100L/100LA | 2 | 5827 |
| 247,9 | 111 | 2,3 | 5,73 | H052 | 100LB/112MS | 4 | 5809 |
| 246,6 | 108 | 1,0 | 11,76 | H032 | 100L | 2 | 3149 |
| 246,0 | 108 | 1,9 | 11,67 | HA52 | 100L/100LA | 2 | 2940 |
| 246,0 | 108 | 3,1 | 11,67 | HA62 | 100L/100LA | 2 | 4339 |
| 244,1 | 114 | 1,5 | 5,82 | HR061 | 100LB/112MS | 4 | 3700 |
| 243,2 | 109 | 1,7 | 11,80 | H042 | 100L/100LA | 2 | 4425 |
| 233,4 | 119 | 2,9 | 6,08 | HR081 | 100LB/112MS | 4 | 4000 |
| 232,5 | 121 | 1,3 | 4,00 | HR061 | 112MB | 6 | 3700 |
| 232,5 | 121 | 2,8 | 4,00 | HR081 | 112MB/132S/132SA | 6 | 4000 |
| 228,2 | 121 | 2,0 | 6,22 | HA52 | 100LB/112MS | 4 | 3014 |
| 228,2 | 121 | 3,2 | 6,22 | HA62 | 100LB/112MS | 4 | 4449 |
| 212,1 | 132 | 0,9 | 4,38 | HA61 | 112MB | 6 | 3499 |
| 211,5 | 126 | 1,5 | 13,57 | H042 | 100L/100LA | 2 | 4541 |
| 209,2 | 127 | 1,0 | 13,72 | H032 | 100L/100LA | 2 | 3187 |
| 206,0 | 134 | 2,2 | 6,89 | H052 | 100LB/112MS | 4 | 6071 |
| 201,6 | 132 | 2,4 | 14,24 | H052 | 100L/100LA | 2 | 6134 |
| 199,3 | 141 | 2,4 | 4,67 | HR081 | 112MB/132S/132SA | 6 | 4000 |
| 197,9 | 134 | 1,6 | 14,50 | HA52 | 100L/100LA | 2 | 3161 |
| 197,9 | 134 | 2,3 | 14,50 | HA62 | 100L/100LA | 2 | 4665 |
| 197,6 | 139 | 1,1 | 7,19 | H042 | 100LB/112MS | 4 | 4554 |

3,00 kW

| n ₂ [rpm] | M ₂ [Nm] | f _s | i | Gear reducer | Motor | | Fr ₂ [N] |
|-------------------------|------------------------|----------------|-------|-----------------|----------------------|------|------------------------|
| | | | | | Size | Pole | |
| 195,0 | 144 | 1,2 | 4,77 | HR061 | 112MB | 6 | 3700 |
| 194,6 | 136 | 3,8 | 14,75 | H062 | 100L/100LA | 2 | 11025 |
| 193,6 | 144 | 1,2 | 7,33 | HR061 | 100LB/112MS | 4 | 3700 |
| 192,1 | 143 | 3,8 | 7,39 | H062 | 100LB/112MS | 4 | 11035 |
| 189,3 | 147 | 2,4 | 7,50 | HR081 | 100LB/112MS | 4 | 4000 |
| 183,6 | 150 | 1,6 | 7,73 | HA52 | 100LB/112MS | 4 | 3241 |
| 183,6 | 150 | 2,5 | 7,73 | HA62 | 100LB/112MS | 4 | 4783 |
| 180,8 | 154 | 1,6 | 5,14 | HA52 | 112MB | 6 | 3257 |
| 180,8 | 154 | 2,6 | 5,14 | HA62 | 112MB | 6 | 4808 |
| 179,8 | 148 | 1,3 | 15,96 | H042 | 100L/100LA | 2 | 4665 |
| 177,1 | 158 | 1,1 | 5,25 | HR061 | 112MB | 6 | 3700 |
| 176,2 | 151 | 4,0 | 16,29 | H062 | 100LA ⁽¹⁾ | 2 | 11335 |
| 173,0 | 153 | 2,2 | 16,59 | H052 | 100L/100LA | 2 | 6352 |
| 173,0 | 161 | 3,3 | 5,38 | H062 | 112MB/132S/132SA | 6 | 11351 |
| 170,3 | 163 | 1,0 | 5,46 | H042 | 112MB | 6 | 4643 |
| 169,7 | 156 | 1,4 | 16,91 | HA52 | 100L/100LA | 2 | 3327 |
| 169,7 | 156 | 2,4 | 16,91 | HA62 | 100L/100LA | 2 | 4911 |
| 169,6 | 164 | 1,0 | 8,38 | HR061 | 100LB/112MS | 4 | 3700 |
| 169,0 | 164 | 4,0 | 8,40 | HR101 | 100LB | 4 | 5000 |
| 168,2 | 165 | 2,1 | 8,44 | HR081 | 100LB/112MS | 4 | 4000 |
| 167,9 | 167 | 2,1 | 5,54 | HR081 | 112MB/132S/132SA | 6 | 4000 |
| 167,1 | 165 | 3,6 | 8,50 | H062 | 100LB/112MS | 4 | 11470 |
| 166,5 | 165 | 2,1 | 8,53 | H052 | 100LB/112MS | 4 | 6366 |
| 162,5 | 163 | 3,8 | 17,67 | H062 | 100L/100LA | 2 | 11592 |
| 162,4 | 171 | 1,6 | 5,73 | H052 | 112MB | 6 | 6389 |
| 159,8 | 176 | 1,0 | 5,82 | HR061 | 112MB | 6 | 3700 |
| 159,4 | 166 | 2,1 | 18,00 | H052 | 100L/100LA | 2 | 6465 |
| 159,3 | 173 | 1,2 | 8,91 | H042 | 100LB/112MS | 4 | 4697 |
| 156,7 | 177 | 3,3 | 5,93 | H062 | 112MB/132S/132SA | 6 | 11662 |
| 152,9 | 184 | 1,9 | 6,08 | HR081 | 112MB/132S/132SA | 6 | 4000 |
| 151,3 | 182 | 3,3 | 9,39 | H062 | 100LB/112MS | 4 | 11783 |
| 151,1 | 176 | 1,1 | 19,00 | H042 | 100L/100LA | 2 | 4780 |
| 149,5 | 186 | 1,4 | 6,22 | HA52 | 112MB | 6 | 3471 |
| 149,5 | 186 | 2,1 | 6,22 | HA62 | 112MB | 6 | 5123 |
| 149,3 | 188 | 3,6 | 6,23 | HR101 | 112MB/132S/132SA | 6 | 5000 |
| 148,5 | 185 | 2,0 | 9,56 | H052 | 100LB/112MS | 4 | 6520 |
| 147,3 | 187 | 1,6 | 9,64 | HA52 | 100LB/112MS | 4 | 3488 |
| 147,3 | 187 | 2,5 | 9,64 | HA62 | 100LB/112MS | 4 | 5149 |
| 143,7 | 185 | 1,9 | 19,97 | H052 | 100L/100LA | 2 | 6608 |
| 141,5 | 188 | 3,4 | 20,28 | H062 | 100L/100LA | 2 | 12000 |
| 140,3 | 189 | 1,1 | 20,46 | HA52 | 100L/100LA | 2 | 3545 |
| 140,3 | 189 | 1,8 | 20,46 | HA62 | 100L/100LA | 2 | 5233 |

⁽¹⁾ Available only with brake motor (TBS)

3,00 kW

| n2 [rpm] | M2 [Nm] | fs | i | Gear reducer | Motor | | Fr2 [N] |
|-------------|------------|-----|-------|-----------------|------------------|------|------------|
| | | | | | Size | Pole | |
| 137,7 | 200 | 1,2 | 10,31 | H042 | 100LB/112MS | 4 | 4774 |
| 134,9 | 206 | 1,5 | 6,89 | H052 | 112MB | 6 | 6632 |
| 132,5 | 200 | 1,8 | 21,67 | H052 | 100L/100LA | 2 | 6717 |
| 129,8 | 214 | 3,9 | 7,39 | H082 | 132S/132SA | 6 | 15421 |
| 125,8 | 221 | 2,6 | 7,39 | H062 | 112MB/132S/132SA | 6 | 12000 |
| 124,0 | 226 | 1,6 | 7,50 | HR081 | 112MB/132S/132SA | 6 | 4000 |
| 123,4 | 223 | 1,7 | 11,51 | H052 | 100LB/112MS | 4 | 6758 |
| 123,3 | 215 | 3,0 | 23,27 | H062 | 100L/100LA | 2 | 12000 |
| 123,3 | 228 | 3,0 | 7,55 | HR101 | 112MB/132S/132SA | 6 | 5000 |
| 121,7 | 226 | 1,2 | 11,67 | HA52 | 100LB/112MS | 4 | 3717 |
| 121,7 | 226 | 1,9 | 11,67 | HA62 | 100LB/112MS | 4 | 5486 |
| 121,5 | 226 | 2,9 | 11,69 | H062 | 100LB/112MS | 4 | 12000 |
| 120,3 | 229 | 1,1 | 11,80 | H042 | 100LB/112MS | 4 | 4828 |
| 120,3 | 231 | 1,1 | 7,73 | HA52 | 112MB | 6 | 3732 |
| 120,3 | 231 | 1,7 | 7,73 | HA62 | 112MB | 6 | 5508 |
| 119,7 | 232 | 3,6 | 8,02 | H082 | 132S/132SA | 6 | 15784 |
| 116,2 | 228 | 1,5 | 24,71 | H052 | 100L/100LA | 2 | 6886 |
| 112,9 | 235 | 1,4 | 25,43 | HA62 | 100L/100LA | 2 | 5626 |
| 112,1 | 245 | 2,9 | 12,67 | H062 | 100LB/112MS | 4 | 12000 |
| 111,7 | 238 | 2,7 | 25,70 | H062 | 100L/100LA | 2 | 12000 |
| 110,7 | 254 | 2,7 | 8,40 | HR101 | 112MB/132S/132SA | 6 | 5000 |
| 110,1 | 255 | 1,4 | 8,44 | HR081 | 112MB/132S/132SA | 6 | 4000 |
| 109,6 | 242 | 1,5 | 26,18 | H052 | 100L/100LA | 2 | 6957 |
| 109,4 | 254 | 2,5 | 8,50 | H062 | 112MB/132S/132SA | 6 | 12000 |
| 109,1 | 255 | 1,4 | 8,53 | H052 | 112MB | 6 | 6888 |
| 108,5 | 256 | 3,7 | 8,85 | H082 | 132S/132SA | 6 | 16230 |
| 104,6 | 263 | 1,0 | 13,57 | H042 | 100LB/112MS | 4 | 4861 |
| 100,9 | 263 | 1,4 | 28,44 | H052 | 100L/100LA | 2 | 7055 |
| 99,7 | 276 | 1,6 | 14,24 | H052 | 100LB/112MS | 4 | 7004 |
| 99,1 | 280 | 2,2 | 9,39 | H062 | 112MB/132S/132SA | 6 | 12000 |
| 97,9 | 281 | 1,0 | 14,50 | HA52 | 100LB/112MS | 4 | 3996 |
| 97,9 | 281 | 1,5 | 14,50 | HA62 | 100LB/112MS | 4 | 5898 |
| 97,8 | 271 | 2,2 | 29,33 | H062 | 100L/100LA | 2 | 12000 |
| 97,3 | 286 | 1,4 | 9,56 | H052 | 112MB | 6 | 7012 |
| 96,4 | 288 | 1,1 | 9,64 | HA52 | 112MB | 6 | 4017 |
| 96,4 | 288 | 1,7 | 9,64 | HA62 | 112MB | 6 | 5929 |
| 96,3 | 286 | 2,5 | 14,75 | H062 | 100LB/112MS | 4 | 12000 |
| 91,1 | 291 | 1,3 | 31,52 | H052 | 100L/100LA | 2 | 7169 |
| 89,7 | 296 | 2,2 | 32,00 | H062 | 100L/100LA | 2 | 12000 |
| 87,2 | 315 | 2,5 | 16,29 | H062 | 100LB/112MS | 4 | 12000 |
| 87,2 | 319 | 3,6 | 11,01 | H082 | 132S/132SA | 6 | 17243 |
| 85,6 | 321 | 1,4 | 16,59 | H052 | 100LB/112MS | 4 | 7158 |

3,00 kW

| n ₂ [rpm] | M ₂ [Nm] | f _s | i | Gear reducer | Motor | | Fr ₂ [N] |
|-------------------------|------------------------|----------------|-------|-----------------|------------------|------|------------------------|
| | | | | | Size | Pole | |
| 84,0 | 328 | 0,9 | 16,91 | HA52 | 100LB/112MS | 4 | 4207 |
| 84,0 | 328 | 1,5 | 16,91 | HA62 | 100LB/112MS | 4 | 6209 |
| 83,5 | 318 | 3,8 | 34,38 | H082 | 100L/100LA | 2 | 17517 |
| 80,8 | 344 | 1,2 | 11,51 | H052 | 112MB | 6 | 7186 |
| 80,4 | 342 | 2,4 | 17,67 | H062 | 100LB/112MS | 4 | 12000 |
| 79,7 | 348 | 0,8 | 11,67 | HA52 | 112MB | 6 | 4280 |
| 79,7 | 348 | 1,3 | 11,67 | HA62 | 112MB | 6 | 6317 |
| 79,6 | 349 | 2,0 | 11,69 | H062 | 112MB/132S/132SA | 6 | 12000 |
| 78,9 | 349 | 1,3 | 18,00 | H052 | 100LB/112MS | 4 | 7229 |
| 77,6 | 342 | 1,8 | 36,99 | H062 | 100L/100LA | 2 | 12000 |
| 74,2 | 358 | 3,4 | 38,70 | H082 | 100L/100LA | 2 | 18000 |
| 73,6 | 360 | 1,0 | 38,98 | H052 | 100L/100LA | 2 | 7370 |
| 73,4 | 378 | 1,9 | 12,67 | H062 | 112MB/132S/132SA | 6 | 12000 |
| 71,2 | 373 | 1,7 | 40,33 | H062 | 100L/100LA | 2 | 12000 |
| 71,1 | 387 | 1,2 | 19,97 | H052 | 100LB/112MS | 4 | 7308 |
| 70,0 | 393 | 2,2 | 20,28 | H062 | 100LB/112MS | 4 | 12000 |
| 69,4 | 396 | 1,2 | 20,46 | HA62 | 100LB/112MS | 4 | 6616 |
| 68,9 | 403 | 3,6 | 13,50 | H082 | 112MB/132S/132SA | 6 | 18000 |
| 67,1 | 395 | 3,0 | 42,75 | H082 | 100L/100LA | 2 | 18000 |
| 66,4 | 414 | 3,9 | 21,39 | H082 | 100LB/112MS | 4 | 18000 |
| 65,5 | 420 | 1,1 | 21,67 | H052 | 100LB/112MS | 4 | 7358 |
| 65,3 | 425 | 1,1 | 14,24 | H052 | 112MB | 6 | 7332 |
| 64,1 | 433 | 1,0 | 14,50 | HA62 | 112MB | 6 | 6792 |
| 63,1 | 441 | 1,7 | 14,75 | H062 | 112MB/132S/132SA | 6 | 12000 |
| 62,4 | 445 | 3,5 | 14,90 | H082 | 112MB/132S/132SA | 6 | 18000 |
| 62,3 | 426 | 1,5 | 46,06 | H062 | 100L/100LA | 2 | 12000 |
| 62,3 | 442 | 3,6 | 22,80 | H082 | 100LB/112MS | 4 | 18000 |
| 61,0 | 451 | 1,9 | 23,27 | H062 | 100LB/112MS | 4 | 12000 |
| 59,6 | 445 | 2,7 | 48,13 | H082 | 100L/100LA | 2 | 18000 |
| 58,0 | 448 | 1,4 | 49,45 | H063 | 100L/100LA | 2 | 12000 |
| 57,5 | 479 | 1,0 | 24,71 | H052 | 100LB/112MS | 4 | 7414 |
| 57,1 | 486 | 1,7 | 16,29 | H062 | 112MB/132S/132SA | 6 | 12000 |
| 56,0 | 496 | 1,0 | 16,59 | H052 | 112MB | 6 | 7389 |
| 56,0 | 496 | 3,2 | 16,62 | H082 | 112MB/132S/132SA | 6 | 18000 |
| 55,8 | 493 | 0,9 | 25,43 | HA62 | 100LB/112MS | 4 | 7113 |
| 55,3 | 498 | 1,7 | 25,70 | H062 | 100LB/112MS | 4 | 12000 |
| 55,0 | 505 | 1,0 | 16,91 | HA62 | 112MB | 6 | 7150 |
| 54,2 | 507 | 1,0 | 26,18 | H052 | 100LB/112MS | 4 | 7429 |
| 53,4 | 515 | 3,1 | 26,60 | H082 | 100LB/112MS | 4 | 18000 |
| 52,6 | 528 | 1,7 | 17,67 | H062 | 112MB/132S/132SA | 6 | 12000 |
| 52,6 | 494 | 1,3 | 54,61 | H063 | 100L/100LA | 2 | 12000 |
| 51,0 | 539 | 0,9 | 28,44 | H052 | 112MS | 4 | 7436 |

3,00 kW

| n ₂ [rpm] | M ₂ [Nm] | f _s | i | Gear reducer | Motor | | Fr ₂ [N] |
|-------------------------|------------------------|----------------|--------|-----------------|------------------|------|------------------------|
| | | | | | Size | Pole | |
| 50,9 | 540 | 3,0 | 27,88 | H082 | 100LB/112MS | 4 | 18000 |
| 50,8 | 512 | 2,3 | 56,53 | H083 | 100L/100LA | 2 | 18000 |
| 50,2 | 553 | 2,8 | 18,53 | H082 | 112MB/132S/132SA | 6 | 18000 |
| 48,4 | 568 | 1,4 | 29,33 | H062 | 100LB/112MS | 4 | 12000 |
| 48,0 | 579 | 2,9 | 19,38 | H082 | 112MB/132S/132SA | 6 | 18000 |
| 45,9 | 606 | 1,5 | 20,28 | H062 | 112MB/132S/132SA | 6 | 12000 |
| 45,6 | 603 | 2,7 | 31,15 | H082 | 100LB/112MS | 4 | 18000 |
| 44,4 | 620 | 1,4 | 32,00 | H062 | 100LB/112MS | 4 | 12000 |
| 43,5 | 639 | 2,6 | 21,39 | H082 | 112MB/132S/132SA | 6 | 18000 |
| 41,3 | 666 | 2,4 | 34,38 | H082 | 100LB/112MS | 4 | 18000 |
| 40,8 | 681 | 2,5 | 22,80 | H082 | 112MB/132S/132SA | 6 | 18000 |
| 40,2 | 647 | 2,1 | 71,48 | H083 | 100L/100LA | 2 | 18000 |
| 40,0 | 695 | 1,3 | 23,27 | H062 | 112MB/132S/132SA | 6 | 12000 |
| 38,4 | 716 | 1,1 | 36,99 | H062 | 100LB/112MS | 4 | 12000 |
| 36,9 | 745 | 3,8 | 38,45 | H102 | 100LB/112MS | 4 | 22000 |
| 36,7 | 750 | 2,1 | 38,70 | H082 | 100LB/112MS | 4 | 18000 |
| 36,2 | 768 | 1,2 | 25,70 | H062 | 112MB/132S/132SA | 6 | 12000 |
| 36,0 | 723 | 3,6 | 79,82 | H103 | 100L/100LA | 2 | 22000 |
| 35,2 | 781 | 1,1 | 40,33 | H062 | 100LB/112MS | 4 | 12000 |
| 35,0 | 795 | 2,1 | 26,60 | H082 | 112MB/132S/132SA | 6 | 18000 |
| 34,1 | 762 | 3,4 | 84,16 | H103 | 100L/100LA | 2 | 22000 |
| 33,5 | 775 | 1,7 | 85,56 | H083 | 100L/100LA | 2 | 18000 |
| 33,4 | 833 | 2,0 | 27,88 | H082 | 112MB/132S/132SA | 6 | 18000 |
| 33,2 | 828 | 1,9 | 42,75 | H082 | 100LB/112MS | 4 | 18000 |
| 31,7 | 876 | 1,0 | 29,33 | H062 | 112MB | 6 | 12000 |
| 31,0 | 887 | 3,7 | 45,82 | H102 | 100LB/112MS | 4 | 22000 |
| 30,8 | 892 | 1,0 | 46,06 | H062 | 100LB/112MS | 4 | 12000 |
| 30,7 | 845 | 3,1 | 93,36 | H103 | 100L/100LA | 2 | 22000 |
| 30,3 | 918 | 3,7 | 30,72 | H102 | 112MB/132S/132SA | 6 | 22000 |
| 29,9 | 931 | 1,8 | 31,15 | H082 | 112MB/132S/132SA | 6 | 18000 |
| 29,5 | 932 | 1,7 | 48,13 | H082 | 100LB/112MS | 4 | 18000 |
| 29,3 | 888 | 1,5 | 98,09 | H083 | 100L/100LA | 2 | 18000 |
| 28,7 | 938 | 0,9 | 49,45 | H063 | 100LB/112MS | 4 | 12000 |
| 28,7 | 906 | 2,9 | 100,07 | H103 | 100L/100LA | 2 | 22000 |
| 27,6 | 998 | 3,3 | 51,52 | H102 | 100LB/112MS | 4 | 22000 |
| 27,2 | 1022 | 3,3 | 34,20 | H102 | 112MB/132S/132SA | 6 | 22000 |
| 27,1 | 1027 | 1,6 | 34,38 | H082 | 112MB/132S/132SA | 6 | 18000 |
| 25,4 | 1021 | 1,3 | 112,78 | H083 | 100L/100LA | 2 | 18000 |
| 25,1 | 1072 | 1,5 | 56,53 | H083 | 100LB/112MS | 4 | 18000 |
| 24,2 | 1149 | 2,6 | 38,45 | H102 | 112MB/132S/132SA | 6 | 22000 |
| 24,0 | 1156 | 1,5 | 38,70 | H082 | 112MB/132S/132SA | 6 | 18000 |
| 23,8 | 1094 | 2,4 | 120,84 | H103 | 100L/100LA | 2 | 22000 |

3,00 kW

| n ₂ [rpm] | M ₂ [Nm] | f _s | i | Gear reducer | Motor | | Fr ₂ [N] |
|-------------------------|------------------------|----------------|--------|-----------------|------------------|------|------------------------|
| | | | | | Size | Pole | |
| 23,1 | 1127 | 1,2 | 124,44 | H083 | 100L/100LA | 2 | 18000 |
| 22,5 | 1234 | 2,8 | 41,30 | H102 | 112MB/132S/132SA | 6 | 22000 |
| 21,8 | 1277 | 1,3 | 42,75 | H082 | 112MB/132S/132SA | 6 | 18000 |
| 21,4 | 1214 | 2,2 | 134,06 | H103 | 100L/100LA | 2 | 22000 |
| 21,1 | 1277 | 3,9 | 67,32 | H123 | 100LB/112MS | 4 | 30000 |
| 20,4 | 1322 | 2,6 | 69,69 | H103 | 100LB/112MS | 4 | 22000 |
| 20,3 | 1369 | 2,5 | 45,82 | H102 | 112MB/132S/132SA | 6 | 22000 |
| 20,0 | 1299 | 2,0 | 143,42 | H103 | 100L/100LA | 2 | 22000 |
| 19,9 | 1356 | 1,3 | 71,48 | H083 | 100LB/112MS | 4 | 18000 |
| 19,3 | 1438 | 1,2 | 48,13 | H082 | 112MB/132S/132SA | 6 | 18000 |
| 19,3 | 1398 | 3,6 | 73,71 | H123 | 100LB/112MS | 4 | 30000 |
| 18,1 | 1539 | 2,3 | 51,52 | H102 | 112MB/132S/132SA | 6 | 22000 |
| 18,0 | 1496 | 1,2 | 78,87 | H083 | 100LB/112MS | 4 | 18000 |
| 17,8 | 1514 | 2,3 | 79,82 | H103 | 100LB/112MS | 4 | 22000 |
| 17,8 | 1456 | 1,8 | 160,82 | H103 | 100L/100LA | 2 | 22000 |
| 17,3 | 1572 | 2,3 | 55,47 | H103 | 132S/132SA | 6 | 22000 |
| 17,2 | 1583 | 3,3 | 55,87 | H123 | 132S/132SA | 6 | 30000 |
| 17,0 | 1580 | 3,2 | 83,34 | H123 | 100LB/112MS | 4 | 30000 |
| 16,9 | 1596 | 2,2 | 84,16 | H103 | 100LB/112MS | 4 | 22000 |
| 16,6 | 1623 | 1,1 | 85,56 | H083 | 100LB/112MS | 4 | 18000 |
| 15,8 | 1640 | 1,6 | 181,07 | H103 | 100L/100LA | 2 | 22000 |
| 15,8 | 1706 | 2,9 | 89,97 | H123 | 100LB/112MS | 4 | 30000 |
| 15,2 | 1771 | 2,0 | 93,36 | H103 | 100LB/112MS | 4 | 22000 |
| 14,8 | 1759 | 1,5 | 194,21 | H103 | 100L/100LA | 2 | 22000 |
| 14,5 | 1860 | 1,0 | 98,09 | H083 | 100LB/112MS | 4 | 18000 |
| 14,2 | 1898 | 1,8 | 100,07 | H103 | 100LB/112MS | 4 | 22000 |
| 14,2 | 1902 | 2,6 | 100,29 | H123 | 100LB/112MS | 4 | 30000 |
| 13,8 | 1969 | 2,7 | 67,32 | H123 | 112MB/132S/132SA | 6 | 30000 |
| 13,3 | 2038 | 1,8 | 69,69 | H103 | 112MB/132S/132SA | 6 | 22000 |
| 13,3 | 1951 | 1,3 | 215,45 | H103 | 100L/100LA | 2 | 22000 |
| 13,1 | 2055 | 2,4 | 108,34 | H123 | 100LB/112MS | 4 | 30000 |
| 13,0 | 2091 | 0,9 | 71,48 | H083 | 112MB/132S/132SA | 6 | 18000 |
| 12,6 | 2156 | 2,4 | 73,71 | H123 | 112MB/132S/132SA | 6 | 30000 |
| 12,1 | 2240 | 3,7 | 79,07 | H143 | 132S/132SA | 6 | 55000 |
| 12,0 | 2250 | 2,2 | 118,62 | H123 | 100LB/112MS | 4 | 30000 |
| 11,8 | 2292 | 1,5 | 120,84 | H103 | 100LB/112MS | 4 | 22000 |
| 11,8 | 2197 | 1,2 | 242,59 | H103 | 100L/100LA | 2 | 22000 |
| 11,7 | 2334 | 1,6 | 79,82 | H103 | 112MB/132S/132SA | 6 | 22000 |
| 11,2 | 2437 | 2,2 | 83,34 | H123 | 112MB/132S/132SA | 6 | 30000 |
| 11,1 | 2461 | 1,5 | 84,16 | H103 | 112MB/132S/132SA | 6 | 22000 |
| 11,1 | 2431 | 2,1 | 128,18 | H123 | 100LB/112MS | 4 | 30000 |
| 11,1 | 2449 | 3,4 | 86,43 | H143 | 132S/132SA | 6 | 55000 |

5.1 H/HA GEARED MOTORS (50Hz)

3,00 kW

| n ₂ [rpm] | M ₂ [Nm] | f _s | i | Gear reducer | Motor | | Fr ₂ [N] |
|-------------------------|------------------------|----------------|--------|-----------------|------------------|------|------------------------|
| | | | | | Size | Pole | |
| 10,6 | 2543 | 1,4 | 134,06 | H103 | 100LB/112MS | 4 | 22000 |
| 10,3 | 2631 | 2,0 | 89,97 | H123 | 112MB/132S/132SA | 6 | 30000 |
| 10,0 | 2731 | 1,3 | 93,36 | H103 | 112MB/132S/132SA | 6 | 22000 |
| 10,0 | 2726 | 3,1 | 96,21 | H143 | 132S/132SA | 6 | 55000 |
| 9,9 | 2720 | 1,3 | 143,42 | H103 | 100LB/112MS | 4 | 22000 |
| 9,8 | 2746 | 1,8 | 144,79 | H123 | 100LB/112MS | 4 | 30000 |
| 9,3 | 2927 | 1,3 | 100,07 | H103 | 112MB/132S/132SA | 6 | 22000 |
| 9,3 | 2933 | 1,8 | 100,29 | H123 | 112MB/132S/132SA | 6 | 30000 |
| 9,2 | 2961 | 2,8 | 104,51 | H143 | 132S/132SA | 6 | 55000 |
| 9,1 | 2944 | 1,7 | 155,22 | H123 | 100LB/112MS | 4 | 30000 |
| 8,8 | 3050 | 1,1 | 160,82 | H103 | 100LB/112MS | 4 | 22000 |
| 8,6 | 3169 | 1,7 | 108,34 | H123 | 112MB/132S/132SA | 6 | 30000 |
| 8,3 | 3284 | 2,6 | 115,92 | H143 | 132S/132SA | 6 | 55000 |
| 8,2 | 3277 | 1,5 | 172,80 | H123 | 100LB/112MS | 4 | 30000 |
| 7,8 | 3434 | 1,0 | 181,07 | H103 | 100LB/112MS | 4 | 22000 |
| 7,8 | 3469 | 1,5 | 118,62 | H123 | 112MB/132S/132SA | 6 | 30000 |
| 7,5 | 3588 | 1,4 | 189,19 | H123 | 100LB/112MS | 4 | 30000 |
| 7,5 | 3640 | 2,3 | 128,47 | H143 | 132S/132SA | 6 | 55000 |
| 7,3 | 3683 | 1,0 | 194,21 | H103 | 100LB/112MS | 4 | 22000 |
| 7,3 | 3749 | 1,4 | 128,18 | H123 | 112MB/132S/132SA | 6 | 30000 |
| 6,9 | 3954 | 2,1 | 139,55 | H143 | 132S/132SA | 6 | 55000 |
| 6,8 | 3934 | 1,3 | 207,43 | H123 | 100LB/112MS | 4 | 30000 |
| 6,7 | 4063 | 0,9 | 143,42 | H103 | 132S/132SA | 6 | 22000 |
| 6,4 | 4235 | 1,2 | 144,79 | H123 | 112MB/132S/132SA | 6 | 30000 |
| 6,2 | 4373 | 1,9 | 154,33 | H143 | 132S/132SA | 6 | 55000 |
| 6,1 | 4380 | 1,1 | 230,92 | H123 | 100LB/112MS | 4 | 30000 |
| 6,0 | 4540 | 1,2 | 155,22 | H123 | 112MB/132S/132SA | 6 | 30000 |
| 5,5 | 4924 | 1,0 | 259,64 | H123 | 100LB/112MS | 4 | 30000 |
| 5,2 | 5269 | 1,6 | 185,96 | H143 | 132S/132SA | 6 | 55000 |
| 4,7 | 5817 | 0,9 | 207,43 | H123 | 132S | 6 | 30000 |
| 4,7 | 5839 | 1,4 | 206,08 | H143 | 132S/132SA | 6 | 55000 |

4,00 kW

| n ₂ [rpm] | M ₂ [Nm] | f _s | i | Gear reducer | Motor | | Fr ₂ [N] |
|-------------------------|------------------------|----------------|------|-----------------|------------------|------|------------------------|
| | | | | | Size | Pole | |
| 2255,0 | 16 | 2,1 | 1,27 | HR051 | 100LB/112M/112MA | 2 | 1365 |
| 2022,0 | 18 | 2,8 | 1,42 | HR051 | 100LB/112M/112MA | 2 | 1408 |
| 1350,6 | 26 | 1,8 | 2,13 | HR051 | 100LB/112M/112MA | 2 | 1571 |
| 1350,6 | 26 | 3,7 | 2,13 | HR061 | 100LB/112M/112MA | 2 | 2363 |
| 1148,0 | 31 | 2,2 | 2,50 | HA61 | 100LB/112M/112MA | 2 | 1993 |
| 1139,3 | 33 | 1,4 | 1,27 | HR051 | 112M/112MA | 4 | 1634 |
| 1116,1 | 32 | 1,8 | 2,57 | HR051 | 100LB/112M/112MA | 2 | 1649 |

4,00 kW

| n ₂ [rpm] | M ₂ [Nm] | f _s | i | Gear reducer | Motor | | Fr ₂ [N] |
|-------------------------|------------------------|----------------|------|-----------------|------------------|------|------------------------|
| | | | | | Size | Pole | |
| 1116,1 | 32 | 3,3 | 2,57 | HR061 | 100LB/112M/112MA | 2 | 2501 |
| 1087,5 | 34 | 2,6 | 1,33 | HA61 | 112M/112MA | 4 | 2029 |
| 1071,6 | 35 | 2,9 | 1,34 | HR061 | 112M/112MA | 4 | 2527 |
| 1014,5 | 37 | 1,8 | 1,42 | HR051 | 112M/112MA | 4 | 1681 |
| 906,3 | 39 | 1,6 | 3,17 | HR051 | 100LB/112M/112MA | 2 | 1736 |
| 906,3 | 39 | 2,7 | 3,17 | HR061 | 100LB/112M/112MA | 2 | 2659 |
| 778,3 | 46 | 1,5 | 3,69 | HR051 | 100LB/112M/112MA | 2 | 1798 |
| 778,3 | 46 | 2,4 | 3,69 | HR061 | 100LB/112M/112MA | 2 | 2778 |
| 717,5 | 50 | 1,4 | 4,00 | HR051 | 100LB/112M/112MA | 2 | 1831 |
| 717,5 | 50 | 2,3 | 4,00 | HR061 | 100LB/112M/112MA | 2 | 2843 |
| 677,6 | 55 | 1,2 | 2,13 | HR051 | 112M/112MA | 4 | 1843 |
| 677,6 | 55 | 2,4 | 2,13 | HR061 | 112M/112MA | 4 | 2882 |
| 654,6 | 55 | 1,5 | 4,38 | HA61 | 100LB/112M/112MA | 2 | 2403 |
| 601,8 | 59 | 1,2 | 4,77 | HR051 | 100LB/112M/112MA | 2 | 1901 |
| 601,8 | 59 | 2,0 | 4,77 | HR061 | 100LB/112M/112MA | 2 | 2987 |
| 580,0 | 64 | 1,4 | 2,50 | HA61 | 112M/112MA | 4 | 2502 |
| 563,9 | 66 | 1,1 | 2,57 | HR051 | 112M/112MA | 4 | 1912 |
| 563,9 | 66 | 2,1 | 2,57 | HR061 | 112M/112MA | 4 | 3031 |
| 558,1 | 63 | 2,8 | 5,14 | HA52 | 100LB/112M/112MA | 2 | 2237 |
| 546,7 | 65 | 1,1 | 5,25 | HR051 | 100LB/112M/112MA | 2 | 1937 |
| 546,7 | 65 | 1,9 | 5,25 | HR061 | 100LB/112M/112MA | 2 | 3066 |
| 525,4 | 67 | 1,8 | 5,46 | H042 | 100LB/112M/112MA | 2 | 3575 |
| 518,2 | 69 | 3,6 | 5,54 | HR081 | 100LB/112M/112MA | 2 | 3590 |
| 502,3 | 75 | 3,5 | 1,93 | HR081 | 132MA | 6 | 3617 |
| 501,1 | 71 | 2,8 | 5,73 | H052 | 100LB/112M/112MA | 2 | 4721 |
| 493,3 | 72 | 1,0 | 5,82 | HR051 | 100LB/112M/112MA | 2 | 1975 |
| 493,3 | 72 | 1,8 | 5,82 | HR061 | 100LB/112M/112MA | 2 | 3153 |
| 471,8 | 76 | 3,4 | 6,08 | HR081 | 100LB/112M/112MA | 2 | 3693 |
| 461,3 | 77 | 2,3 | 6,22 | HA52 | 100LB/112M/112MA | 2 | 2384 |
| 461,3 | 77 | 3,7 | 6,22 | HA62 | 100LB/112M/112MA | 2 | 3519 |
| 457,9 | 81 | 1,1 | 3,17 | HR051 | 112M/112MA | 4 | 1984 |
| 457,9 | 81 | 1,7 | 3,17 | HR061 | 112M/112MA | 4 | 3205 |
| 443,1 | 84 | 3,8 | 3,25 | HR081 | 112M/112MA | 4 | 3757 |
| 416,3 | 85 | 2,6 | 6,89 | H052 | 100LB/112M/112MA | 2 | 4953 |
| 391,4 | 91 | 1,4 | 7,33 | HR061 | 100LB/112M/112MA | 2 | 3351 |
| 390,5 | 95 | 0,9 | 3,69 | HR051 | 112M/112MA | 4 | 2033 |
| 390,5 | 95 | 1,6 | 3,69 | HR061 | 112M/112MA | 4 | 3340 |
| 386,9 | 96 | 3,3 | 3,72 | HR081 | 112M/112MA | 4 | 3912 |
| 382,7 | 93 | 2,8 | 7,50 | HR081 | 100LB/112M/112MA | 2 | 3931 |
| 377,7 | 99 | 3,1 | 2,54 | HR081 | 132MA | 6 | 3937 |
| 371,1 | 95 | 1,9 | 7,73 | HA52 | 100LB/112M/112MA | 2 | 2563 |
| 371,1 | 95 | 3,0 | 7,73 | HA62 | 100LB/112M/112MA | 2 | 3783 |

4,00 kW

| n ₂ [rpm] | M ₂ [Nm] | f _s | i | Gear reducer | Motor | | Fr ₂ [N] |
|-------------------------|------------------------|----------------|-------|-----------------|----------------------|------|------------------------|
| | | | | | Size | Pole | |
| 360,0 | 103 | 1,5 | 4,00 | HR061 | 112M/112MA | 4 | 3409 |
| 360,0 | 103 | 3,1 | 4,00 | HR081 | 112M/112MA | 4 | 3995 |
| 342,7 | 104 | 1,2 | 8,38 | HR061 | 100LB/112M/112MA | 2 | 3466 |
| 339,9 | 105 | 2,5 | 8,44 | HR081 | 100LB/112M/112MA | 2 | 4000 |
| 336,6 | 105 | 2,4 | 8,53 | H052 | 100LB/112M/112MA | 2 | 5219 |
| 328,4 | 113 | 1,0 | 4,38 | HA61 | 112M/112MA | 4 | 3024 |
| 308,6 | 120 | 2,7 | 4,67 | HR081 | 112M/112MA | 4 | 4000 |
| 305,8 | 116 | 3,9 | 9,39 | H062 | 100LB/112M/112MA | 2 | 9507 |
| 301,9 | 123 | 1,3 | 4,77 | HR061 | 112M/112MA | 4 | 3558 |
| 300,1 | 118 | 2,4 | 9,56 | H052 | 100LB/112M/112MA | 2 | 5362 |
| 297,6 | 119 | 1,9 | 9,64 | HA52 | 100LB/112M/112MA | 2 | 2759 |
| 297,6 | 119 | 2,9 | 9,64 | HA62 | 100LB/112M/112MA | 2 | 4072 |
| 295,4 | 127 | 2,6 | 3,25 | HR081 | 132MA | 6 | 4000 |
| 280,0 | 131 | 1,8 | 5,14 | HA52 | 112M/112MA | 4 | 2816 |
| 280,0 | 131 | 2,9 | 5,14 | HA62 | 112M/112MA | 4 | 4156 |
| 274,3 | 135 | 1,3 | 5,25 | HR061 | 112M/112MA | 4 | 3639 |
| 267,9 | 137 | 3,7 | 5,38 | H062 | 112M/112MA | 4 | 9838 |
| 263,6 | 139 | 1,2 | 5,46 | H042 | 112M/112MA | 4 | 4037 |
| 260,0 | 143 | 2,3 | 5,54 | HR081 | 112M/112MA | 4 | 4000 |
| 257,9 | 145 | 2,3 | 3,72 | HR081 | 132MA | 6 | 4000 |
| 251,4 | 146 | 1,8 | 5,73 | H052 | 112M/112MA | 4 | 5546 |
| 249,3 | 142 | 2,1 | 11,51 | H052 | 100LB/112M/112MA | 2 | 5590 |
| 247,5 | 150 | 1,1 | 5,82 | HR061 | 112M/112MA | 4 | 3700 |
| 246,0 | 144 | 1,5 | 11,67 | HA52 | 100LB/112M/112MA | 2 | 2940 |
| 246,0 | 144 | 2,3 | 11,67 | HA62 | 100LB/112M/112MA | 2 | 4339 |
| 245,6 | 144 | 3,4 | 11,69 | H062 | 100LB/112M/112MA | 2 | 10106 |
| 242,6 | 151 | 3,6 | 5,93 | H062 | 112M/112MA | 4 | 10108 |
| 240,0 | 156 | 2,2 | 4,00 | HR081 | 132MA | 6 | 4000 |
| 236,7 | 157 | 2,2 | 6,08 | HR081 | 112M/112MA | 4 | 4000 |
| 231,4 | 158 | 1,5 | 6,22 | HA52 | 112M/112MA | 4 | 3000 |
| 231,4 | 158 | 2,4 | 6,22 | HA62 | 112M/112MA | 4 | 4428 |
| 231,1 | 160 | 4,0 | 6,23 | HR101 | 112MA ⁽¹⁾ | 4 | 5000 |
| 227,4 | 165 | 3,9 | 4,22 | HR101 | 132MA | 6 | 5000 |
| 226,6 | 156 | 3,4 | 12,67 | H062 | 100LB/112M/112MA | 2 | 10330 |
| 208,9 | 176 | 1,7 | 6,89 | H052 | 112M/112MA | 4 | 5759 |
| 205,7 | 182 | 1,8 | 4,67 | HR081 | 132MA | 6 | 4000 |
| 201,6 | 176 | 1,8 | 14,24 | H052 | 100LB/112M/112MA | 2 | 5841 |
| 197,9 | 179 | 1,8 | 14,50 | HA62 | 100LB/112M/112MA | 2 | 4665 |
| 196,9 | 190 | 3,4 | 4,88 | HR101 | 132MA | 6 | 5000 |
| 196,4 | 189 | 0,9 | 7,33 | HR061 | 112M/112MA | 4 | 3700 |
| 194,8 | 188 | 2,9 | 7,39 | H062 | 112M/112MA | 4 | 10717 |
| 194,6 | 182 | 2,9 | 14,75 | H062 | 100LB/112M/112MA | 2 | 10760 |

⁽¹⁾ Available only with brake motor (TBS)

4,00 kW

| n ₂ [rpm] | M ₂ [Nm] | f _s | i | Gear reducer | Motor | | Fr ₂ [N] |
|-------------------------|------------------------|----------------|-------|-----------------|------------------|------|------------------------|
| | | | | | Size | Pole | |
| 192,0 | 193 | 1,8 | 7,50 | HR081 | 112M/112MA | 4 | 4000 |
| 190,8 | 194 | 3,3 | 7,55 | HR101 | 112M/112MA | 4 | 5000 |
| 186,2 | 197 | 1,2 | 7,73 | HA52 | 112M/112MA | 4 | 3226 |
| 186,2 | 197 | 1,9 | 7,73 | HA62 | 112M/112MA | 4 | 4761 |
| 182,3 | 205 | 3,2 | 5,27 | HR101 | 132MA | 6 | 5000 |
| 178,6 | 207 | 2,5 | 5,38 | H062 | 132MA | 6 | 10950 |
| 178,1 | 208 | 3,5 | 5,39 | H082 | 132MA | 6 | 13822 |
| 176,2 | 201 | 3,0 | 16,29 | H062 | 100LB/112M/112MA | 2 | 11042 |
| 173,3 | 216 | 1,6 | 5,54 | HR081 | 132MA | 6 | 4000 |
| 173,0 | 205 | 1,6 | 16,59 | H052 | 100LB/112M/112MA | 2 | 6010 |
| 171,4 | 216 | 3,0 | 8,40 | HR101 | 112M/112MA | 4 | 5000 |
| 170,5 | 217 | 1,6 | 8,44 | HR081 | 112M/112MA | 4 | 4000 |
| 169,7 | 209 | 1,8 | 16,91 | HA62 | 100LB/112M/112MA | 2 | 4911 |
| 169,4 | 216 | 2,8 | 8,50 | H062 | 112M/112MA | 4 | 11111 |
| 168,9 | 217 | 1,6 | 8,53 | H052 | 112M/112MA | 4 | 5985 |
| 162,5 | 218 | 2,9 | 17,67 | H062 | 100LB/112M/112MA | 2 | 11275 |
| 161,8 | 229 | 2,5 | 5,93 | H062 | 132MA | 6 | 11228 |
| 161,6 | 227 | 0,9 | 8,91 | H042 | 112M/112MA | 4 | 4218 |
| 161,5 | 229 | 3,2 | 5,95 | H082 | 132MA | 6 | 14212 |
| 159,4 | 222 | 1,6 | 18,00 | H052 | 100LB/112M/112MA | 2 | 6095 |
| 157,8 | 237 | 1,5 | 6,08 | HR081 | 132MA | 6 | 4000 |
| 154,1 | 243 | 2,8 | 6,23 | HR101 | 132MA | 6 | 5000 |
| 153,6 | 244 | 3,9 | 6,25 | HR121 | 132MA | 6 | 6000 |
| 153,4 | 239 | 2,5 | 9,39 | H062 | 112M/112MA | 4 | 11391 |
| 150,6 | 244 | 1,5 | 9,56 | H052 | 112M/112MA | 4 | 6095 |
| 149,3 | 246 | 1,2 | 9,64 | HA52 | 112M/112MA | 4 | 3472 |
| 149,3 | 246 | 1,9 | 9,64 | HA62 | 112M/112MA | 4 | 5125 |
| 141,5 | 250 | 2,5 | 20,28 | H062 | 100LB/112M/112MA | 2 | 11672 |
| 140,3 | 252 | 1,4 | 20,46 | HA62 | 100LB/112M/112MA | 2 | 5233 |
| 139,6 | 263 | 0,9 | 10,31 | H042 | 112M/112MA | 4 | 4223 |
| 129,9 | 285 | 2,0 | 7,39 | H062 | 132MA | 6 | 11844 |
| 129,8 | 285 | 2,9 | 7,39 | H082 | 132MA | 6 | 15095 |
| 128,0 | 292 | 1,3 | 7,50 | HR081 | 132MA | 6 | 4000 |
| 127,2 | 294 | 2,3 | 7,55 | HR101 | 132MA | 6 | 5000 |
| 125,1 | 293 | 1,3 | 11,51 | H052 | 112M/112MA | 4 | 6251 |
| 124,7 | 300 | 3,5 | 7,70 | HR121 | 132MA | 6 | 6000 |
| 123,4 | 297 | 0,9 | 11,67 | HA52 | 112M/112MA | 4 | 3700 |
| 123,4 | 297 | 1,5 | 11,67 | HA62 | 112M/112MA | 4 | 5461 |
| 123,3 | 287 | 2,2 | 23,27 | H062 | 100LB/112M/112MA | 2 | 12000 |
| 123,2 | 298 | 2,2 | 11,69 | H062 | 112M/112MA | 4 | 12000 |
| 119,7 | 309 | 2,7 | 8,02 | H082 | 132MA | 6 | 15430 |
| 114,3 | 327 | 2,1 | 8,40 | HR101 | 132MA | 6 | 5000 |

4,00 kW

| n2 [rpm] | M2 [Nm] | fs | i | Gear reducer | Motor | | Fr2 [N] |
|-------------|------------|-----|-------|-----------------|------------------|------|------------|
| | | | | | Size | Pole | |
| 113,7 | 323 | 2,2 | 12,67 | H062 | 112M/112MA | 4 | 12000 |
| 113,7 | 329 | 1,1 | 8,44 | HR081 | 132MA | 6 | 4000 |
| 112,9 | 328 | 1,9 | 8,50 | H062 | 132MA | 6 | 12000 |
| 111,7 | 317 | 2,0 | 25,70 | H062 | 100LB/112M/112MA | 2 | 12000 |
| 108,5 | 341 | 2,8 | 8,85 | H082 | 132MA | 6 | 15840 |
| 107,9 | 328 | 3,7 | 26,60 | H082 | 100LB/112M/112MA | 2 | 15932 |
| 102,9 | 344 | 3,5 | 27,88 | H082 | 100LB/112M/112MA | 2 | 16132 |
| 102,3 | 362 | 1,7 | 9,39 | H062 | 132MA | 6 | 12000 |
| 101,1 | 363 | 1,2 | 14,24 | H052 | 112M/112MA | 4 | 6384 |
| 99,3 | 369 | 1,1 | 14,50 | HA62 | 112M/112MA | 4 | 5871 |
| 97,8 | 362 | 1,7 | 29,33 | H062 | 100LB/112M/112MA | 2 | 12000 |
| 97,6 | 376 | 1,9 | 14,75 | H062 | 112M/112MA | 4 | 12000 |
| 96,7 | 379 | 4,0 | 14,90 | H082 | 112M/112MA | 4 | 16340 |
| 92,1 | 384 | 3,1 | 31,15 | H082 | 100LB/112M/112MA | 2 | 16608 |
| 89,7 | 395 | 1,6 | 32,00 | H062 | 100LB/112M/112MA | 2 | 12000 |
| 88,4 | 415 | 1,9 | 16,29 | H062 | 112M/112MA | 4 | 12000 |
| 87,2 | 425 | 2,7 | 11,01 | H082 | 132MA | 6 | 16758 |
| 86,8 | 423 | 1,1 | 16,59 | H052 | 112M/112MA | 4 | 6439 |
| 86,7 | 423 | 3,5 | 16,62 | H082 | 112M/112MA | 4 | 16804 |
| 85,1 | 431 | 1,2 | 16,91 | HA62 | 112M/112MA | 4 | 6180 |
| 83,5 | 424 | 2,8 | 34,38 | H082 | 100LB/112M/112MA | 2 | 17033 |
| 82,1 | 451 | 1,5 | 11,69 | H062 | 132MA | 6 | 12000 |
| 81,5 | 450 | 1,8 | 17,67 | H062 | 112M/112MA | 4 | 12000 |
| 80,0 | 458 | 1,0 | 18,00 | H052 | 112M/112MA | 4 | 6452 |
| 77,7 | 472 | 3,2 | 18,53 | H082 | 112M/112MA | 4 | 17266 |
| 75,8 | 489 | 1,5 | 12,67 | H062 | 132MA | 6 | 12000 |
| 74,3 | 494 | 3,2 | 19,38 | H082 | 112M/112MA | 4 | 17459 |
| 74,2 | 477 | 2,5 | 38,70 | H082 | 100LB/112M/112MA | 2 | 17546 |
| 72,1 | 509 | 0,9 | 19,97 | H052 | 112M/112MA | 4 | 6449 |
| 71,1 | 521 | 2,8 | 13,50 | H082 | 132MA | 6 | 17621 |
| 71,0 | 516 | 1,6 | 20,28 | H062 | 112M/112MA | 4 | 12000 |
| 70,4 | 521 | 0,9 | 20,46 | HA62 | 112M/112MA | 4 | 6585 |
| 67,3 | 545 | 2,9 | 21,39 | H082 | 112M/112MA | 4 | 17876 |
| 67,1 | 527 | 2,3 | 42,75 | H082 | 100LB/112M/112MA | 2 | 17976 |
| 65,1 | 569 | 1,3 | 14,75 | H062 | 132MA | 6 | 12000 |
| 64,4 | 575 | 2,7 | 14,90 | H082 | 132MA | 6 | 18000 |
| 63,2 | 581 | 2,8 | 22,80 | H082 | 112M/112MA | 4 | 18000 |
| 61,9 | 593 | 1,4 | 23,27 | H062 | 112M/112MA | 4 | 12000 |
| 59,6 | 594 | 2,0 | 48,13 | H082 | 100LB/112M/112MA | 2 | 18000 |
| 58,9 | 628 | 1,3 | 16,29 | H062 | 132MA | 6 | 12000 |
| 57,8 | 641 | 2,5 | 16,62 | H082 | 132MA | 6 | 18000 |
| 56,0 | 654 | 1,3 | 25,70 | H062 | 112M/112MA | 4 | 12000 |

4,00 kW

| n ₂ [rpm] | M ₂ [Nm] | f _s | i | Gear reducer | Motor | | Fr ₂ [N] |
|-------------------------|------------------------|----------------|--------|-----------------|------------------|------|------------------------|
| | | | | | Size | Pole | |
| 55,7 | 635 | 3,9 | 51,52 | H102 | 100LB/112M/112MA | 2 | 22000 |
| 54,3 | 682 | 1,3 | 17,67 | H062 | 132MA | 6 | 12000 |
| 54,1 | 677 | 2,4 | 26,60 | H082 | 112M/112MA | 4 | 18000 |
| 51,8 | 715 | 2,2 | 18,53 | H082 | 132MA | 6 | 18000 |
| 51,6 | 710 | 2,3 | 27,88 | H082 | 112M/112MA | 4 | 18000 |
| 50,8 | 682 | 1,8 | 56,53 | H083 | 100LB/112M/112MA | 2 | 18000 |
| 49,5 | 748 | 2,2 | 19,38 | H082 | 132MA | 6 | 18000 |
| 49,1 | 747 | 1,1 | 29,33 | H062 | 112M/112MA | 4 | 12000 |
| 47,3 | 782 | 1,1 | 20,28 | H062 | 132MA | 6 | 12000 |
| 46,2 | 793 | 2,0 | 31,15 | H082 | 112M/112MA | 4 | 18000 |
| 45,0 | 815 | 1,0 | 32,00 | H062 | 112M/112MA | 4 | 12000 |
| 44,9 | 825 | 2,0 | 21,39 | H082 | 132MA | 6 | 18000 |
| 42,1 | 880 | 1,9 | 22,80 | H082 | 132MA | 6 | 18000 |
| 42,1 | 871 | 3,7 | 34,20 | H102 | 112M/112MA | 4 | 22000 |
| 41,9 | 875 | 1,8 | 34,38 | H082 | 112M/112MA | 4 | 18000 |
| 41,3 | 898 | 1,0 | 23,27 | H062 | 132MA | 6 | 12000 |
| 41,2 | 841 | 3,1 | 69,69 | H103 | 100LB/112M/112MA | 2 | 22000 |
| 40,2 | 863 | 1,6 | 71,48 | H083 | 100LB/112M/112MA | 2 | 18000 |
| 40,1 | 925 | 3,7 | 23,97 | H102 | 132MA | 6 | 22000 |
| 37,4 | 991 | 0,9 | 25,70 | H062 | 132MA | 6 | 12000 |
| 37,4 | 979 | 2,9 | 38,45 | H102 | 112M/112MA | 4 | 22000 |
| 37,2 | 986 | 1,6 | 38,70 | H082 | 112M/112MA | 4 | 18000 |
| 37,1 | 999 | 3,5 | 25,89 | H102 | 132MA | 6 | 22000 |
| 36,1 | 1026 | 1,6 | 26,60 | H082 | 132MA | 6 | 18000 |
| 36,0 | 964 | 2,7 | 79,82 | H103 | 100LB/112M/112MA | 2 | 22000 |
| 34,9 | 1052 | 3,1 | 41,30 | H102 | 112M/112MA | 4 | 22000 |
| 34,4 | 1076 | 1,6 | 27,88 | H082 | 132MA | 6 | 18000 |
| 34,1 | 1016 | 2,6 | 84,16 | H103 | 100LB/112M/112MA | 2 | 22000 |
| 33,7 | 1089 | 1,5 | 42,75 | H082 | 112M/112MA | 4 | 18000 |
| 33,4 | 1108 | 3,1 | 28,73 | H102 | 132MA | 6 | 22000 |
| 31,4 | 1167 | 2,8 | 45,82 | H102 | 112M/112MA | 4 | 22000 |
| 31,2 | 1185 | 2,8 | 30,72 | H102 | 132MA | 6 | 22000 |
| 30,8 | 1202 | 1,4 | 31,15 | H082 | 132MA | 6 | 18000 |
| 30,7 | 1127 | 2,3 | 93,36 | H103 | 100LB/112M/112MA | 2 | 22000 |
| 29,9 | 1226 | 1,3 | 48,13 | H082 | 112M/112MA | 4 | 18000 |
| 28,7 | 1208 | 2,2 | 100,07 | H103 | 100LB/112M/112MA | 2 | 22000 |
| 28,1 | 1320 | 2,5 | 34,20 | H102 | 132MA | 6 | 22000 |
| 28,0 | 1312 | 2,5 | 51,52 | H102 | 112M/112MA | 4 | 22000 |
| 27,9 | 1326 | 1,3 | 34,38 | H082 | 132MA | 6 | 18000 |
| 26,6 | 1394 | 3,8 | 36,13 | H122 | 132MA | 6 | 30000 |
| 25,7 | 1348 | 1,0 | 112,78 | H083 | 112M/112MA | 2 | 18000 |
| 25,5 | 1410 | 1,1 | 56,53 | H083 | 112M/112MA | 4 | 18000 |

4,00 kW

| n2 [rpm] | M2 [Nm] | fs | i | Gear reducer | Motor Size | Pole | Fr2 [N] |
|-------------|------------|-----|--------|-----------------|------------------|------|------------|
| 25,0 | 1484 | 2,0 | 38,45 | H102 | 132MA | 6 | 22000 |
| 24,8 | 1493 | 1,1 | 38,70 | H082 | 132MA | 6 | 18000 |
| 23,8 | 1459 | 1,8 | 120,84 | H103 | 100LB/112M/112MA | 2 | 22000 |
| 23,2 | 1593 | 2,2 | 41,30 | H102 | 132MA | 6 | 22000 |
| 22,5 | 1649 | 1,0 | 42,75 | H082 | 132MA | 6 | 18000 |
| 21,8 | 1701 | 3,1 | 44,10 | H122 | 132MA | 6 | 30000 |
| 21,4 | 1619 | 1,6 | 134,06 | H103 | 100LB/112M/112MA | 2 | 22000 |
| 21,4 | 1679 | 3,0 | 67,32 | H123 | 112M/112MA | 4 | 30000 |
| 21,0 | 1768 | 2,0 | 45,82 | H102 | 132MA | 6 | 22000 |
| 21,0 | 1729 | 3,0 | 45,77 | H123 | 132MA | 6 | 30000 |
| 20,7 | 1738 | 2,0 | 69,69 | H103 | 112M/112MA | 4 | 22000 |
| 20,1 | 1782 | 1,0 | 71,48 | H083 | 112M/112MA | 4 | 18000 |
| 20,0 | 1732 | 1,5 | 143,42 | H103 | 100LB/112M/112MA | 2 | 22000 |
| 19,9 | 1857 | 0,9 | 48,13 | H082 | 132MA | 6 | 18000 |
| 19,5 | 1838 | 2,7 | 73,71 | H123 | 112M/112MA | 4 | 30000 |
| 18,6 | 1988 | 1,7 | 51,52 | H102 | 132MA | 6 | 22000 |
| 18,3 | 1967 | 0,9 | 78,87 | H083 | 112M/112MA | 4 | 18000 |
| 18,0 | 1990 | 1,8 | 79,82 | H103 | 112M/112MA | 4 | 22000 |
| 17,3 | 2096 | 1,8 | 55,47 | H103 | 132MA | 6 | 22000 |
| 17,3 | 2078 | 2,4 | 83,34 | H123 | 112M/112MA | 4 | 30000 |
| 17,2 | 2111 | 2,5 | 55,87 | H123 | 132MA | 6 | 30000 |
| 17,1 | 2099 | 1,7 | 84,16 | H103 | 112M/112MA | 4 | 22000 |
| 16,2 | 2237 | 3,8 | 59,22 | H143 | 132MA | 6 | 55000 |
| 16,0 | 2244 | 2,2 | 89,97 | H123 | 112M/112MA | 4 | 30000 |
| 15,4 | 2328 | 1,5 | 93,36 | H103 | 112M/112MA | 4 | 22000 |
| 15,2 | 2380 | 3,5 | 62,99 | H143 | 132MA | 6 | 55000 |
| 14,4 | 2495 | 1,4 | 100,07 | H103 | 112M/112MA | 4 | 22000 |
| 14,4 | 2501 | 2,0 | 100,29 | H123 | 112M/112MA | 4 | 30000 |
| 14,3 | 2543 | 2,1 | 67,32 | H123 | 132MA | 6 | 30000 |
| 13,8 | 2633 | 1,4 | 69,69 | H103 | 132MA | 6 | 22000 |
| 13,5 | 2696 | 3,1 | 71,35 | H143 | 132MA | 6 | 55000 |
| 13,3 | 2601 | 1,0 | 215,45 | H103 | 100LB/112M/112MA | 2 | 22000 |
| 13,3 | 2702 | 1,9 | 108,34 | H123 | 112M/112MA | 4 | 30000 |
| 13,0 | 2785 | 1,9 | 73,71 | H123 | 132MA | 6 | 30000 |
| 12,1 | 2958 | 1,7 | 118,62 | H123 | 112M/112MA | 4 | 30000 |
| 12,1 | 2987 | 2,8 | 79,07 | H143 | 132MA | 6 | 55000 |
| 12,0 | 3015 | 1,2 | 79,82 | H103 | 132MA | 6 | 22000 |
| 11,9 | 3013 | 1,2 | 120,84 | H103 | 112M/112MA | 4 | 22000 |
| 11,5 | 3148 | 1,7 | 83,34 | H123 | 132MA | 6 | 30000 |
| 11,4 | 3179 | 1,2 | 84,16 | H103 | 132MA | 6 | 22000 |
| 11,2 | 3196 | 1,6 | 128,18 | H123 | 112M/112MA | 4 | 30000 |
| 11,1 | 3265 | 2,6 | 86,43 | H143 | 132MA | 6 | 55000 |

4,00 kW

| n ₂ [rpm] | M ₂ [Nm] | f _s | i | Gear reducer | Motor | | Fr ₂ [N] |
|-------------------------|------------------------|----------------|--------|-----------------|------------|------|------------------------|
| | | | | | Size | Pole | |
| 10,7 | 3343 | 1,0 | 134,06 | H103 | 112M/112MA | 4 | 22000 |
| 10,7 | 3399 | 1,5 | 89,97 | H123 | 132MA | 6 | 30000 |
| 10,3 | 3527 | 1,0 | 93,36 | H103 | 132MA | 6 | 22000 |
| 10,0 | 3576 | 1,0 | 143,42 | H103 | 112M/112MA | 4 | 22000 |
| 10,0 | 3634 | 2,3 | 96,21 | H143 | 132MA | 6 | 55000 |
| 9,9 | 3610 | 1,4 | 144,79 | H123 | 112M/112MA | 4 | 30000 |
| 9,6 | 3780 | 1,0 | 100,07 | H103 | 132MA | 6 | 22000 |
| 9,6 | 3789 | 1,4 | 100,29 | H123 | 132MA | 6 | 30000 |
| 9,3 | 3871 | 1,3 | 155,22 | H123 | 112M/112MA | 4 | 30000 |
| 9,2 | 3948 | 2,1 | 104,51 | H143 | 132MA | 6 | 55000 |
| 8,9 | 4093 | 1,3 | 108,34 | H123 | 132MA | 6 | 30000 |
| 8,3 | 4309 | 1,2 | 172,80 | H123 | 112M/112MA | 4 | 30000 |
| 8,3 | 4379 | 1,9 | 115,92 | H143 | 132MA | 6 | 55000 |
| 8,1 | 4481 | 1,2 | 118,62 | H123 | 132MA | 6 | 30000 |
| 7,6 | 4718 | 1,1 | 189,19 | H123 | 112M/112MA | 4 | 30000 |
| 7,5 | 4842 | 1,1 | 128,18 | H123 | 132MA | 6 | 30000 |
| 7,5 | 4853 | 1,7 | 128,47 | H143 | 132MA | 6 | 55000 |
| 6,9 | 5173 | 1,0 | 207,43 | H123 | 112M/112MA | 4 | 30000 |
| 6,9 | 5272 | 1,6 | 139,55 | H143 | 132MA | 6 | 55000 |
| 6,6 | 5470 | 1,0 | 144,79 | H123 | 132MA | 6 | 30000 |
| 6,2 | 5804 | 0,9 | 155,22 | H123 | 132MA | 6 | 30000 |
| 6,2 | 5830 | 1,4 | 154,33 | H143 | 132MA | 6 | 55000 |
| 5,2 | 7025 | 1,2 | 185,96 | H143 | 132MA | 6 | 55000 |
| 4,7 | 7785 | 1,1 | 206,08 | H143 | 132MA | 6 | 55000 |

4,80 kW

| n ₂ [rpm] | M ₂ [Nm] | f _s | i | Gear reducer | Motor | | Fr ₂ [N] |
|-------------------------|------------------------|----------------|------|-----------------|----------------------|------|------------------------|
| | | | | | Size | Pole | |
| 1123,6 | 40 | 1,1 | 1,27 | HR051 | 112MB ⁽¹⁾ | 4 | 1600 |
| 1072,5 | 41 | 2,2 | 1,33 | HA61 | 112MB ⁽¹⁾ | 4 | 2038 |
| 1064,2 | 42 | 2,4 | 1,34 | HR061 | 112MB ⁽¹⁾ | 4 | 2504 |
| 1007,5 | 44 | 1,5 | 1,42 | HR051 | 112MB ⁽¹⁾ | 4 | 1640 |
| 672,9 | 66 | 1,0 | 2,13 | HR051 | 112MB ⁽¹⁾ | 4 | 1779 |
| 672,9 | 66 | 2,0 | 2,13 | HR061 | 112MB ⁽¹⁾ | 4 | 2843 |
| 572,0 | 78 | 1,2 | 2,50 | HA61 | 112MB ⁽¹⁾ | 4 | 2514 |
| 562,6 | 79 | 3,7 | 2,54 | HR081 | 112MB ⁽¹⁾ | 4 | 3469 |
| 556,1 | 80 | 0,9 | 2,57 | HR051 | 112MB ⁽¹⁾ | 4 | 1837 |
| 556,1 | 80 | 1,8 | 2,57 | HR061 | 112MB ⁽¹⁾ | 4 | 2990 |
| 451,6 | 98 | 1,4 | 3,17 | HR061 | 112MB ⁽¹⁾ | 4 | 3151 |
| 440,0 | 101 | 3,1 | 3,25 | HR081 | 112MB ⁽¹⁾ | 4 | 3729 |
| 387,8 | 115 | 1,3 | 3,69 | HR061 | 112MB ⁽¹⁾ | 4 | 3269 |
| 384,2 | 116 | 2,8 | 3,72 | HR081 | 112MB ⁽¹⁾ | 4 | 3879 |

⁽¹⁾ Available only with brake motor (TBS)

4,80 kW

| n2 [rpm] | M2 [Nm] | fs | i | Gear reducer | Motor Size | Pole | Fr2 [N] |
|-------------|------------|-----|-------|-----------------|----------------------|------|------------|
| 357,5 | 124 | 1,2 | 4,00 | HR061 | 112MB ⁽¹⁾ | 4 | 3332 |
| 357,5 | 124 | 2,6 | 4,00 | HR081 | 112MB ⁽¹⁾ | 4 | 3960 |
| 326,1 | 136 | 0,8 | 4,38 | HA61 | 112MB ⁽¹⁾ | 4 | 3031 |
| 306,4 | 145 | 2,2 | 4,67 | HR081 | 112MB ⁽¹⁾ | 4 | 4000 |
| 299,8 | 148 | 1,1 | 4,77 | HR061 | 112MB ⁽¹⁾ | 4 | 3465 |
| 278,1 | 158 | 1,5 | 5,14 | HA52 | 112MB ⁽¹⁾ | 4 | 2822 |
| 278,1 | 158 | 2,4 | 5,14 | HA62 | 112MB ⁽¹⁾ | 4 | 4166 |
| 272,4 | 163 | 1,0 | 5,25 | HR061 | 112MB ⁽¹⁾ | 4 | 3536 |
| 271,5 | 164 | 3,8 | 5,27 | HR101 | 112MB ⁽¹⁾ | 4 | 5000 |
| 266,0 | 165 | 3,0 | 5,38 | H062 | 112MB ⁽¹⁾ | 4 | 9696 |
| 261,8 | 168 | 1,0 | 5,46 | H042 | 112MB ⁽¹⁾ | 4 | 3808 |
| 258,2 | 172 | 1,9 | 5,54 | HR081 | 112MB ⁽¹⁾ | 4 | 4000 |
| 249,7 | 176 | 1,5 | 5,73 | H052 | 112MB ⁽¹⁾ | 4 | 5358 |
| 245,8 | 181 | 0,9 | 5,82 | HR061 | 112MB ⁽¹⁾ | 4 | 3610 |
| 240,9 | 183 | 3,0 | 5,93 | H062 | 112MB ⁽¹⁾ | 4 | 9950 |
| 235,1 | 189 | 1,8 | 6,08 | HR081 | 112MB ⁽¹⁾ | 4 | 4000 |
| 229,8 | 191 | 1,3 | 6,22 | HA52 | 112MB ⁽¹⁾ | 4 | 3007 |
| 229,8 | 191 | 2,0 | 6,22 | HA62 | 112MB ⁽¹⁾ | 4 | 4439 |
| 229,5 | 194 | 3,3 | 6,23 | HR101 | 112MB ⁽¹⁾ | 4 | 5000 |
| 207,4 | 212 | 1,4 | 6,89 | H052 | 112MB ⁽¹⁾ | 4 | 5530 |
| 193,5 | 227 | 2,4 | 7,39 | H062 | 112MB ⁽¹⁾ | 4 | 10516 |
| 190,7 | 233 | 1,5 | 7,50 | HR081 | 112MB ⁽¹⁾ | 4 | 4000 |
| 189,5 | 235 | 2,8 | 7,55 | HR101 | 112MB ⁽¹⁾ | 4 | 5000 |
| 184,9 | 238 | 1,0 | 7,73 | HA52 | 112MB ⁽¹⁾ | 4 | 3233 |
| 184,9 | 238 | 1,6 | 7,73 | HA62 | 112MB ⁽¹⁾ | 4 | 4772 |
| 170,2 | 261 | 2,5 | 8,40 | HR101 | 112MB ⁽¹⁾ | 4 | 5000 |
| 169,3 | 263 | 1,3 | 8,44 | HR081 | 112MB ⁽¹⁾ | 4 | 4000 |
| 168,2 | 262 | 2,3 | 8,50 | H062 | 112MB ⁽¹⁾ | 4 | 10876 |
| 167,7 | 262 | 1,3 | 8,53 | H052 | 112MB ⁽¹⁾ | 4 | 5699 |
| 152,4 | 289 | 2,1 | 9,39 | H062 | 112MB ⁽¹⁾ | 4 | 11130 |
| 149,5 | 294 | 1,3 | 9,56 | H052 | 112MB ⁽¹⁾ | 4 | 5774 |
| 148,3 | 297 | 1,0 | 9,64 | HA52 | 112MB ⁽¹⁾ | 4 | 3480 |
| 148,3 | 297 | 1,6 | 9,64 | HA62 | 112MB ⁽¹⁾ | 4 | 5137 |
| 124,2 | 354 | 1,1 | 11,51 | H052 | 112MB ⁽¹⁾ | 4 | 5862 |
| 122,6 | 359 | 1,2 | 11,67 | HA62 | 112MB ⁽¹⁾ | 4 | 5473 |
| 122,4 | 360 | 1,8 | 11,69 | H062 | 112MB ⁽¹⁾ | 4 | 11679 |
| 112,9 | 390 | 1,8 | 12,67 | H062 | 112MB ⁽¹⁾ | 4 | 11874 |
| 105,9 | 415 | 3,4 | 13,50 | H082 | 112MB ⁽¹⁾ | 4 | 15638 |
| 100,4 | 438 | 1,0 | 14,24 | H052 | 112MB ⁽¹⁾ | 4 | 5899 |
| 98,6 | 446 | 0,9 | 14,50 | HA62 | 112MB ⁽¹⁾ | 4 | 5885 |
| 96,9 | 454 | 1,5 | 14,75 | H062 | 112MB ⁽¹⁾ | 4 | 12000 |
| 96,0 | 458 | 3,3 | 14,90 | H082 | 112MB ⁽¹⁾ | 4 | 16020 |

⁽¹⁾ Available only with brake motor (TBS)

4,80 kW

| n ₂ [rpm] | M ₂ [Nm] | f _s | i | Gear reducer | Motor | | Fr ₂ [N] |
|-------------------------|------------------------|----------------|--------|-----------------|----------------------|------|------------------------|
| | | | | | Size | Pole | |
| 87,8 | 501 | 1,6 | 16,29 | H062 | 112MB ⁽¹⁾ | 4 | 12000 |
| 86,1 | 511 | 2,9 | 16,62 | H082 | 112MB ⁽¹⁾ | 4 | 16444 |
| 84,6 | 520 | 1,0 | 16,91 | HA62 | 112MB ⁽¹⁾ | 4 | 6194 |
| 80,9 | 544 | 1,5 | 17,67 | H062 | 112MB ⁽¹⁾ | 4 | 12000 |
| 77,2 | 570 | 2,6 | 18,53 | H082 | 112MB ⁽¹⁾ | 4 | 16861 |
| 73,8 | 597 | 2,7 | 19,38 | H082 | 112MB ⁽¹⁾ | 4 | 17034 |
| 70,5 | 624 | 1,4 | 20,28 | H062 | 112MB ⁽¹⁾ | 4 | 12000 |
| 66,9 | 658 | 2,4 | 21,39 | H082 | 112MB ⁽¹⁾ | 4 | 17404 |
| 62,7 | 702 | 2,3 | 22,80 | H082 | 112MB ⁽¹⁾ | 4 | 17640 |
| 61,4 | 716 | 1,2 | 23,27 | H062 | 112MB ⁽¹⁾ | 4 | 12000 |
| 55,6 | 791 | 1,1 | 25,70 | H062 | 112MB ⁽¹⁾ | 4 | 12000 |
| 53,8 | 819 | 2,0 | 26,60 | H082 | 112MB ⁽¹⁾ | 4 | 18000 |
| 51,3 | 858 | 1,9 | 27,88 | H082 | 112MB ⁽¹⁾ | 4 | 18000 |
| 49,8 | 884 | 3,7 | 28,73 | H102 | 112MB ⁽¹⁾ | 4 | 22000 |
| 46,5 | 945 | 3,4 | 30,72 | H102 | 112MB ⁽¹⁾ | 4 | 22000 |
| 45,9 | 959 | 1,7 | 31,15 | H082 | 112MB ⁽¹⁾ | 4 | 18000 |
| 41,8 | 1052 | 3,0 | 34,20 | H102 | 112MB ⁽¹⁾ | 4 | 22000 |
| 41,6 | 1058 | 1,5 | 34,38 | H082 | 112MB ⁽¹⁾ | 4 | 18000 |
| 37,2 | 1183 | 2,4 | 38,45 | H102 | 112MB ⁽¹⁾ | 4 | 22000 |
| 36,9 | 1191 | 1,3 | 38,70 | H082 | 112MB ⁽¹⁾ | 4 | 18000 |
| 34,6 | 1271 | 2,6 | 41,30 | H102 | 112MB ⁽¹⁾ | 4 | 22000 |
| 33,5 | 1316 | 1,2 | 42,75 | H082 | 112MB ⁽¹⁾ | 4 | 18000 |
| 31,2 | 1410 | 2,3 | 45,82 | H102 | 112MB ⁽¹⁾ | 4 | 22000 |
| 29,7 | 1481 | 1,1 | 48,13 | H082 | 112MB ⁽¹⁾ | 4 | 18000 |
| 27,8 | 1585 | 2,1 | 51,52 | H102 | 112MB ⁽¹⁾ | 4 | 22000 |
| 25,3 | 1703 | 0,9 | 56,53 | H083 | 112MB ⁽¹⁾ | 4 | 18000 |
| 21,2 | 2029 | 2,5 | 67,32 | H123 | 112MB ⁽¹⁾ | 4 | 30000 |
| 20,5 | 2100 | 1,7 | 69,69 | H103 | 112MB ⁽¹⁾ | 4 | 22000 |
| 19,4 | 2221 | 2,3 | 73,71 | H123 | 112MB ⁽¹⁾ | 4 | 30000 |
| 17,9 | 2405 | 1,5 | 79,82 | H103 | 112MB ⁽¹⁾ | 4 | 22000 |
| 17,2 | 2511 | 2,0 | 83,34 | H123 | 112MB ⁽¹⁾ | 4 | 30000 |
| 17,0 | 2536 | 1,4 | 84,16 | H103 | 112MB ⁽¹⁾ | 4 | 22000 |
| 15,9 | 2711 | 1,8 | 89,97 | H123 | 112MB ⁽¹⁾ | 4 | 30000 |
| 15,3 | 2813 | 1,2 | 93,36 | H103 | 112MB ⁽¹⁾ | 4 | 22000 |
| 14,3 | 3015 | 1,2 | 100,07 | H103 | 112MB ⁽¹⁾ | 4 | 22000 |
| 14,3 | 3022 | 1,7 | 100,29 | H123 | 112MB ⁽¹⁾ | 4 | 30000 |
| 13,2 | 3265 | 1,5 | 108,34 | H123 | 112MB ⁽¹⁾ | 4 | 30000 |
| 12,1 | 3574 | 1,4 | 118,62 | H123 | 112MB ⁽¹⁾ | 4 | 30000 |
| 11,8 | 3641 | 1,0 | 120,84 | H103 | 112MB ⁽¹⁾ | 4 | 22000 |
| 11,2 | 3862 | 1,3 | 128,18 | H123 | 112MB ⁽¹⁾ | 4 | 30000 |
| 9,9 | 4363 | 1,1 | 144,79 | H123 | 112MB ⁽¹⁾ | 4 | 30000 |
| 9,2 | 4677 | 1,1 | 155,22 | H123 | 112MB ⁽¹⁾ | 4 | 30000 |

⁽¹⁾ Available only with brake motor (TBS)

5.1 H/HA GEARED MOTORS (50Hz)

4,80 kW

| n2 [rpm] | M2 [Nm] | fs | i | Gear reducer | Motor Size | Pole | Fr2 [N] |
|----------|---------|-----|--------|--------------|----------------------|------|---------|
| 8,3 | 5207 | 1,0 | 172,80 | H123 | 112MB ⁽¹⁾ | 4 | 30000 |

5,50 kW

| n2 [rpm] | M2 [Nm] | fs | i | Gear reducer | Motor Size | Pole | Fr2 [N] |
|----------|---------|-----|------|--------------|----------------------|------|---------|
| 2286,4 | 22 | 1,6 | 1,27 | HR051 | 112MB ⁽¹⁾ | 2 | 1325 |
| 2182,5 | 23 | 3,0 | 1,33 | HA61 | 112MB ⁽¹⁾ | 2 | 1609 |
| 2165,6 | 23 | 3,3 | 1,34 | HR061 | 112MB ⁽¹⁾ | 2 | 2022 |
| 2050,2 | 24 | 2,0 | 1,42 | HR051 | 112MB ⁽¹⁾ | 2 | 1363 |
| 1369,4 | 36 | 1,4 | 2,13 | HR051 | 112MB ⁽¹⁾ | 2 | 1506 |
| 1369,4 | 36 | 2,7 | 2,13 | HR061 | 112MB ⁽¹⁾ | 2 | 2314 |
| 1164,0 | 42 | 1,6 | 2,50 | HA61 | 112MB ⁽¹⁾ | 2 | 1983 |
| 1131,7 | 43 | 1,3 | 2,57 | HR051 | 112MB ⁽¹⁾ | 2 | 1572 |
| 1131,7 | 43 | 2,4 | 2,57 | HR061 | 112MB ⁽¹⁾ | 2 | 2444 |
| 918,9 | 54 | 1,2 | 3,17 | HR051 | 112MB ⁽¹⁾ | 2 | 1642 |
| 918,9 | 54 | 2,0 | 3,17 | HR061 | 112MB ⁽¹⁾ | 2 | 2590 |
| 789,2 | 62 | 1,1 | 3,69 | HR051 | 112MB ⁽¹⁾ | 2 | 1690 |
| 789,2 | 62 | 1,8 | 3,69 | HR061 | 112MB ⁽¹⁾ | 2 | 2699 |
| 781,8 | 63 | 3,8 | 3,72 | HR081 | 112MB/132SA/132S | 2 | 3129 |
| 750,9 | 68 | 3,7 | 1,93 | HR081 | 132MS/132S | 4 | 3162 |
| 740,0 | 70 | 3,3 | 1,30 | HR081 | 132MB | 6 | 3174 |
| 727,5 | 68 | 1,7 | 4,00 | HR061 | 112MB ⁽¹⁾ | 2 | 2758 |
| 727,5 | 68 | 3,6 | 4,00 | HR081 | 112MB/132SA/132S | 2 | 3197 |
| 672,0 | 77 | 3,3 | 1,43 | HR081 | 132MB | 6 | 3267 |
| 663,7 | 74 | 1,1 | 4,38 | HA61 | 112MB ⁽¹⁾ | 2 | 2392 |
| 623,6 | 79 | 3,0 | 4,67 | HR081 | 112MB/132SA/132S | 2 | 3348 |
| 610,2 | 81 | 1,5 | 4,77 | HR061 | 112MB ⁽¹⁾ | 2 | 2887 |
| 574,4 | 89 | 3,3 | 2,54 | HR081 | 132MS/132S | 4 | 3423 |
| 565,8 | 86 | 2,1 | 5,14 | HA52 | 112MB ⁽¹⁾ | 2 | 2227 |
| 565,8 | 86 | 3,3 | 5,14 | HA62 | 112MB ⁽¹⁾ | 2 | 3287 |
| 554,3 | 89 | 1,4 | 5,25 | HR061 | 112MB ⁽¹⁾ | 2 | 2958 |
| 532,7 | 91 | 1,3 | 5,46 | H042 | 112MB ⁽¹⁾ | 2 | 3358 |
| 525,4 | 94 | 2,6 | 5,54 | HR081 | 112MB/132SA/132S | 2 | 3521 |
| 508,1 | 96 | 2,0 | 5,73 | H052 | 112MB ⁽¹⁾ | 2 | 4529 |
| 500,2 | 98 | 1,3 | 5,82 | HR061 | 112MB ⁽¹⁾ | 2 | 3034 |
| 497,1 | 104 | 2,5 | 1,93 | HR081 | 132MB | 6 | 3569 |
| 478,4 | 103 | 2,5 | 6,08 | HR081 | 112MB/132SA/132S | 2 | 3619 |
| 467,7 | 104 | 1,7 | 6,22 | HA52 | 112MB ⁽¹⁾ | 2 | 2373 |
| 467,7 | 104 | 2,7 | 6,22 | HA62 | 112MB ⁽¹⁾ | 2 | 3503 |
| 446,2 | 114 | 2,8 | 3,25 | HR081 | 132MS/132S | 4 | 3684 |
| 422,1 | 115 | 1,9 | 6,89 | H052 | 112MB ⁽¹⁾ | 2 | 4725 |
| 396,8 | 124 | 1,0 | 7,33 | HR061 | 112MB ⁽¹⁾ | 2 | 3204 |

⁽¹⁾ Available only with brake motor (TBS)

5,50 kW

| n ₂ [rpm] | M ₂ [Nm] | f _s | i | Gear reducer | Motor | | Fr ₂ [N] |
|-------------------------|------------------------|----------------|-------|-----------------|----------------------|------|------------------------|
| | | | | | Size | Pole | |
| 393,7 | 124 | 3,3 | 7,39 | H062 | 112MB/132SA/132S | 2 | 8646 |
| 389,6 | 131 | 2,4 | 3,72 | HR081 | 132MS/132S | 4 | 3828 |
| 388,0 | 127 | 2,1 | 7,50 | HR081 | 112MB/132SA/132S | 2 | 3842 |
| 385,7 | 127 | 3,8 | 7,55 | HR101 | 112MB/132SA/132S | 2 | 4938 |
| 377,7 | 136 | 2,3 | 2,54 | HR081 | 132MB | 6 | 3859 |
| 376,3 | 129 | 1,4 | 7,73 | HA52 | 112MB ⁽¹⁾ | 2 | 2551 |
| 376,3 | 129 | 2,2 | 7,73 | HA62 | 112MB ⁽¹⁾ | 2 | 3766 |
| 362,5 | 141 | 2,3 | 4,00 | HR081 | 132MS/132S | 4 | 3906 |
| 346,4 | 142 | 3,4 | 8,40 | HR101 | 112MB/132SA/132S | 2 | 5000 |
| 344,6 | 143 | 1,8 | 8,44 | HR081 | 112MB/132SA/132S | 2 | 3973 |
| 342,4 | 142 | 3,2 | 8,50 | H062 | 112MB/132SA/132S | 2 | 8981 |
| 341,3 | 143 | 1,8 | 8,53 | H052 | 112MB ⁽¹⁾ | 2 | 4942 |
| 326,5 | 149 | 1,1 | 8,91 | H042 | 112MB ⁽¹⁾ | 2 | 3601 |
| 310,7 | 164 | 2,0 | 4,67 | HR081 | 132MS/132S | 4 | 4000 |
| 310,1 | 157 | 2,9 | 9,39 | H062 | 112MB/132SA/132S | 2 | 9220 |
| 304,3 | 160 | 1,7 | 9,56 | H052 | 112MB ⁽¹⁾ | 2 | 5054 |
| 301,8 | 161 | 1,4 | 9,64 | HA52 | 112MB ⁽¹⁾ | 2 | 2746 |
| 301,8 | 161 | 2,1 | 9,64 | HA62 | 112MB ⁽¹⁾ | 2 | 4053 |
| 297,4 | 171 | 3,6 | 4,88 | HR101 | 132MS/132S | 4 | 5000 |
| 295,4 | 174 | 1,9 | 3,25 | HR081 | 132MB | 6 | 4000 |
| 293,3 | 175 | 3,7 | 3,27 | HR101 | 132MB | 6 | 5000 |
| 282,1 | 172 | 1,0 | 10,31 | H042 | 112MB ⁽¹⁾ | 2 | 3645 |
| 275,3 | 185 | 3,4 | 5,27 | HR101 | 132MS/132S | 4 | 5000 |
| 269,8 | 187 | 2,7 | 5,38 | H062 | 132MS/132S | 4 | 9522 |
| 269,1 | 187 | 3,7 | 5,39 | H082 | 132MS/132S | 4 | 12037 |
| 261,8 | 195 | 1,7 | 5,54 | HR081 | 132MS/132S | 4 | 4000 |
| 259,5 | 198 | 3,2 | 3,70 | HR101 | 132MB | 6 | 5000 |
| 257,9 | 200 | 1,7 | 3,72 | HR081 | 132MB | 6 | 4000 |
| 252,8 | 192 | 1,5 | 11,51 | H052 | 112MB ⁽¹⁾ | 2 | 5223 |
| 249,4 | 195 | 1,1 | 11,67 | HA52 | 112MB ⁽¹⁾ | 2 | 2926 |
| 249,4 | 195 | 1,7 | 11,67 | HA62 | 112MB ⁽¹⁾ | 2 | 4319 |
| 249,0 | 195 | 2,5 | 11,69 | H062 | 112MB/132SA/132S | 2 | 9757 |
| 244,3 | 206 | 2,7 | 5,93 | H062 | 132MS/132S | 4 | 9761 |
| 243,9 | 207 | 3,4 | 5,95 | H082 | 132MS/132S | 4 | 12374 |
| 240,0 | 214 | 1,6 | 4,00 | HR081 | 132MB | 6 | 4000 |
| 238,4 | 214 | 1,6 | 6,08 | HR081 | 132MS/132S | 4 | 4000 |
| 232,7 | 219 | 2,9 | 6,23 | HR101 | 132MS/132S | 4 | 5000 |
| 229,7 | 212 | 2,5 | 12,67 | H062 | 112MB/132SA/132S | 2 | 9955 |
| 227,4 | 226 | 2,8 | 4,22 | HR101 | 132MB | 6 | 5000 |
| 205,7 | 250 | 1,3 | 4,67 | HR081 | 132MB | 6 | 4000 |
| 204,4 | 238 | 1,4 | 14,24 | H052 | 112MB ⁽¹⁾ | 2 | 5391 |
| 200,7 | 242 | 1,3 | 14,50 | HA62 | 112MB ⁽¹⁾ | 2 | 4644 |

⁽¹⁾ Available only with brake motor (TBS)

5,50 kW

| n ₂ [rpm] | M ₂ [Nm] | f _s | i | Gear reducer | Motor | | Fr ₂ [N] |
|-------------------------|------------------------|----------------|-------|-----------------|----------------------|------|------------------------|
| | | | | | Size | Pole | |
| 200,0 | 257 | 3,6 | 4,80 | HR121 | 132MB | 6 | 6000 |
| 197,3 | 247 | 2,1 | 14,75 | H062 | 112MB/132SA/132S | 2 | 10328 |
| 196,9 | 261 | 2,5 | 4,88 | HR101 | 132MB | 6 | 5000 |
| 196,2 | 257 | 2,1 | 7,39 | H062 | 132MS/132S | 4 | 10290 |
| 196,1 | 257 | 3,1 | 7,39 | H082 | 132MS/132S | 4 | 13137 |
| 193,3 | 264 | 1,3 | 7,50 | HR081 | 132MS/132S | 4 | 4000 |
| 192,2 | 265 | 2,5 | 7,55 | HR101 | 132MS/132S | 4 | 5000 |
| 188,3 | 271 | 3,7 | 7,70 | HR121 | 132MS/132S | 4 | 6000 |
| 184,1 | 280 | 3,3 | 5,21 | HR121 | 132MB | 6 | 6000 |
| 182,3 | 282 | 2,3 | 5,27 | HR101 | 132MB | 6 | 5000 |
| 180,8 | 279 | 2,9 | 8,02 | H082 | 132MS/132S | 4 | 13427 |
| 178,7 | 272 | 2,2 | 16,29 | H062 | 112MB/132SA/132S | 2 | 10570 |
| 178,6 | 285 | 1,8 | 5,38 | H062 | 132MB | 6 | 10497 |
| 178,1 | 286 | 2,6 | 5,39 | H082 | 132MB | 6 | 13466 |
| 175,4 | 277 | 1,2 | 16,59 | H052 | 112MB ⁽¹⁾ | 2 | 5490 |
| 173,3 | 297 | 1,2 | 5,54 | HR081 | 132MB | 6 | 4000 |
| 172,6 | 295 | 2,2 | 8,40 | HR101 | 132MS/132S | 4 | 5000 |
| 172,1 | 283 | 1,3 | 16,91 | HA62 | 112MB ⁽¹⁾ | 2 | 4888 |
| 171,7 | 297 | 1,2 | 8,44 | HR081 | 132MS/132S | 4 | 4000 |
| 170,6 | 296 | 2,0 | 8,50 | H062 | 132MS/132S | 4 | 10621 |
| 164,7 | 295 | 2,1 | 17,67 | H062 | 112MB/132SA/132S | 2 | 10766 |
| 163,8 | 308 | 2,9 | 8,85 | H082 | 132MS/132S | 4 | 13780 |
| 161,8 | 315 | 1,8 | 5,93 | H062 | 132MB | 6 | 10728 |
| 161,7 | 301 | 1,1 | 18,00 | H052 | 112MB ⁽¹⁾ | 2 | 5532 |
| 161,5 | 315 | 2,3 | 5,95 | H082 | 132MB | 6 | 13818 |
| 157,8 | 326 | 1,1 | 6,08 | HR081 | 132MB | 6 | 4000 |
| 157,1 | 310 | 3,6 | 18,53 | H082 | 112MB/132SA/132S | 2 | 13983 |
| 154,5 | 326 | 1,8 | 9,39 | H062 | 132MS/132S | 4 | 10852 |
| 154,1 | 334 | 2,0 | 6,23 | HR101 | 132MB | 6 | 5000 |
| 153,6 | 335 | 2,8 | 6,25 | HR121 | 132MB | 6 | 6000 |
| 150,1 | 324 | 3,7 | 19,38 | H082 | 112MB/132SA/132S | 2 | 14149 |
| 145,7 | 334 | 1,0 | 19,97 | H052 | 112MB ⁽¹⁾ | 2 | 5575 |
| 143,5 | 339 | 1,9 | 20,28 | H062 | 112MB/132SA/132S | 2 | 11093 |
| 142,2 | 342 | 1,0 | 20,46 | HA62 | 112MB ⁽¹⁾ | 2 | 5209 |
| 136,1 | 358 | 3,4 | 21,39 | H082 | 112MB/132SA/132S | 2 | 14512 |
| 131,7 | 383 | 2,9 | 11,01 | H082 | 132MS/132S | 4 | 14570 |
| 129,9 | 392 | 1,5 | 7,39 | H062 | 132MB | 6 | 11221 |
| 129,8 | 392 | 2,1 | 7,39 | H082 | 132MB | 6 | 14605 |
| 128,0 | 402 | 0,9 | 7,50 | HR081 | 132MB | 6 | 4000 |
| 127,6 | 381 | 3,1 | 22,80 | H082 | 112MB/132SA/132S | 2 | 14748 |
| 127,2 | 404 | 1,7 | 7,55 | HR101 | 132MB | 6 | 5000 |
| 125,0 | 389 | 1,6 | 23,27 | H062 | 112MB/132SA/132S | 2 | 11409 |

⁽¹⁾ Available only with brake motor (TBS)

5,50 kW

| n ₂ [rpm] | M ₂ [Nm] | f _s | i | Gear reducer | Motor | | Fr ₂ [N] |
|-------------------------|------------------------|----------------|-------|-----------------|----------------------|------|------------------------|
| | | | | | Size | Pole | |
| 124,7 | 413 | 2,5 | 7,70 | HR121 | 132MB | 6 | 6000 |
| 124,1 | 406 | 1,6 | 11,69 | H062 | 132MS/132S | 4 | 11343 |
| 119,7 | 426 | 2,0 | 8,02 | H082 | 132MB | 6 | 14899 |
| 114,5 | 440 | 1,6 | 12,67 | H062 | 132MS/132S | 4 | 11514 |
| 114,3 | 450 | 1,5 | 8,40 | HR101 | 132MB | 6 | 5000 |
| 113,2 | 430 | 1,5 | 25,70 | H062 | 112MB/132SA/132S | 2 | 11627 |
| 112,9 | 451 | 1,4 | 8,50 | H062 | 132MB | 6 | 11516 |
| 109,4 | 445 | 2,7 | 26,60 | H082 | 112MB/132SA/132S | 2 | 15318 |
| 108,5 | 470 | 2,0 | 8,85 | H082 | 132MB | 6 | 15254 |
| 107,4 | 469 | 3,0 | 13,50 | H082 | 132MS/132S | 4 | 15311 |
| 104,4 | 466 | 2,6 | 27,88 | H082 | 112MB/132SA/132S | 2 | 15492 |
| 102,3 | 498 | 1,3 | 9,39 | H062 | 132MB | 6 | 11712 |
| 99,2 | 490 | 1,2 | 29,33 | H062 | 112MB ⁽¹⁾ | 2 | 11904 |
| 98,3 | 513 | 1,4 | 14,75 | H062 | 132MS/132S | 4 | 11817 |
| 97,3 | 518 | 2,9 | 14,90 | H082 | 132MS/132S | 4 | 15665 |
| 93,4 | 521 | 2,3 | 31,15 | H082 | 112MB/132SA/132S | 2 | 15899 |
| 89,0 | 566 | 1,4 | 16,29 | H062 | 132MS/132S | 4 | 11998 |
| 87,3 | 578 | 2,6 | 16,62 | H082 | 132MS/132S | 4 | 16054 |
| 87,2 | 584 | 2,0 | 11,01 | H082 | 132MB | 6 | 16029 |
| 84,7 | 575 | 2,1 | 34,38 | H082 | 112MB/132SA/132S | 2 | 16256 |
| 82,1 | 620 | 1,1 | 11,69 | H062 | 132MB | 6 | 12000 |
| 82,1 | 614 | 1,4 | 17,67 | H062 | 132MS/132S | 4 | 12000 |
| 78,3 | 644 | 2,3 | 18,53 | H082 | 132MS/132S | 4 | 16433 |
| 75,8 | 672 | 1,1 | 12,67 | H062 | 132MB | 6 | 12000 |
| 75,7 | 643 | 3,3 | 38,45 | H102 | 112MB/132SA/132S | 2 | 22000 |
| 75,2 | 647 | 1,9 | 38,70 | H082 | 112MB/132SA/132S | 2 | 16679 |
| 74,8 | 674 | 2,4 | 19,38 | H082 | 132MS/132S | 4 | 16589 |
| 71,5 | 705 | 1,2 | 20,28 | H062 | 132MS/132S | 4 | 12000 |
| 71,1 | 716 | 2,1 | 13,50 | H082 | 132MB | 6 | 16728 |
| 70,5 | 691 | 3,6 | 41,30 | H102 | 112MB/132SA/132S | 2 | 22000 |
| 68,1 | 715 | 1,7 | 42,75 | H082 | 112MB/132SA/132S | 2 | 17024 |
| 67,8 | 744 | 2,2 | 21,39 | H082 | 132MS/132S | 4 | 16919 |
| 65,1 | 782 | 0,9 | 14,75 | H062 | 132MB | 6 | 12000 |
| 64,4 | 790 | 2,0 | 14,90 | H082 | 132MB | 6 | 17049 |
| 63,6 | 793 | 2,0 | 22,80 | H082 | 132MS/132S | 4 | 17128 |
| 63,5 | 766 | 3,2 | 45,82 | H102 | 112MB/132SA/132S | 2 | 22000 |
| 62,3 | 809 | 1,1 | 23,27 | H062 | 132MS/132S | 4 | 12000 |
| 60,5 | 805 | 1,5 | 48,13 | H082 | 112MB/132SA/132S | 2 | 17423 |
| 60,5 | 834 | 4,0 | 23,97 | H102 | 132S | 4 | 22000 |
| 59,7 | 854 | 3,9 | 16,09 | H102 | 132MB | 6 | 22000 |
| 58,9 | 864 | 1,0 | 16,29 | H062 | 132MB | 6 | 12000 |
| 57,8 | 881 | 1,8 | 16,62 | H082 | 132MB | 6 | 17390 |

⁽¹⁾ Available only with brake motor (TBS)

5,50 kW

| n ₂ [rpm] | M ₂ [Nm] | f _s | i | Gear reducer | Motor | | Fr ₂ [N] |
|-------------------------|------------------------|----------------|--------|-----------------|---------------------|------|------------------------|
| | | | | | Size | Pole | |
| 56,5 | 861 | 2,9 | 51,52 | H102 | 112MB/132SA/132S | 2 | 22000 |
| 56,4 | 894 | 1,0 | 25,70 | H062 | 132MS/132S | 4 | 12000 |
| 56,0 | 900 | 3,7 | 25,89 | H102 | 132MS/132S | 4 | 22000 |
| 54,5 | 925 | 1,7 | 26,60 | H082 | 132MS/132S | 4 | 17607 |
| 54,3 | 937 | 0,9 | 17,67 | H062 | 132MB | 6 | 12000 |
| 53,8 | 947 | 3,5 | 17,85 | H102 | 132MB | 6 | 22000 |
| 52,5 | 908 | 2,9 | 55,47 | H103 | 132SA/132S | 2 | 22000 |
| 52,0 | 970 | 1,7 | 27,88 | H082 | 132MS/132S | 4 | 17744 |
| 51,8 | 983 | 1,6 | 18,53 | H082 | 132MB | 6 | 17710 |
| 50,5 | 999 | 3,3 | 28,73 | H102 | 132MS/132S | 4 | 22000 |
| 49,5 | 1028 | 1,6 | 19,38 | H082 | 132MB | 6 | 17836 |
| 48,4 | 1053 | 3,2 | 19,85 | H102 | 132MB | 6 | 22000 |
| 47,2 | 1068 | 3,0 | 30,72 | H102 | 132MS/132S | 4 | 22000 |
| 46,5 | 1083 | 1,5 | 31,15 | H082 | 132MS/132S | 4 | 18000 |
| 44,9 | 1135 | 1,5 | 21,39 | H082 | 132MB | 6 | 18000 |
| 44,8 | 1138 | 3,0 | 21,44 | H102 | 132MB | 6 | 22000 |
| 42,4 | 1189 | 2,7 | 34,20 | H102 | 132MS/132S | 4 | 22000 |
| 42,2 | 1195 | 1,3 | 34,38 | H082 | 132MS/132S | 4 | 18000 |
| 42,1 | 1210 | 1,4 | 22,80 | H082 | 132MB | 6 | 18000 |
| 41,8 | 1141 | 2,3 | 69,69 | H103 | 112MB/132SA/132S | 2 | 22000 |
| 40,1 | 1272 | 2,7 | 23,97 | H102 | 132MB | 6 | 22000 |
| 40,1 | 1256 | 4,0 | 36,13 | H122 | 132S ⁽¹⁾ | 4 | 30000 |
| 37,7 | 1337 | 2,1 | 38,45 | H102 | 132MS/132S | 4 | 22000 |
| 37,5 | 1346 | 1,2 | 38,70 | H082 | 132MS/132S | 4 | 18000 |
| 37,1 | 1374 | 2,5 | 25,89 | H102 | 132MB | 6 | 22000 |
| 36,5 | 1307 | 2,0 | 79,82 | H103 | 112MB/132SA/132S | 2 | 22000 |
| 36,1 | 1411 | 1,2 | 26,60 | H082 | 132MB | 6 | 18000 |
| 35,1 | 1436 | 2,3 | 41,30 | H102 | 132MS/132S | 4 | 22000 |
| 34,9 | 1458 | 3,6 | 27,49 | H122 | 132MB | 6 | 30000 |
| 34,6 | 1378 | 1,9 | 84,16 | H103 | 112MB/132SA/132S | 2 | 22000 |
| 34,4 | 1479 | 1,1 | 27,88 | H082 | 132MB | 6 | 18000 |
| 33,9 | 1487 | 1,1 | 42,75 | H082 | 132MS/132S | 4 | 18000 |
| 33,4 | 1524 | 2,3 | 28,73 | H102 | 132MB | 6 | 22000 |
| 32,9 | 1534 | 3,3 | 44,10 | H122 | 132MS/132S | 4 | 30000 |
| 32,1 | 1584 | 3,3 | 29,86 | H122 | 132MB | 6 | 30000 |
| 31,7 | 1559 | 3,2 | 45,77 | H123 | 132MS/132S | 4 | 30000 |
| 31,6 | 1593 | 2,1 | 45,82 | H102 | 132MS/132S | 4 | 22000 |
| 31,2 | 1630 | 2,1 | 30,72 | H102 | 132MB | 6 | 22000 |
| 31,2 | 1529 | 1,7 | 93,36 | H103 | 112MB/132SA/132S | 2 | 22000 |
| 30,8 | 1653 | 1,0 | 31,15 | H082 | 132MB | 6 | 18000 |
| 30,1 | 1674 | 1,0 | 48,13 | H082 | 132MS/132S | 4 | 18000 |
| 29,1 | 1638 | 1,6 | 100,07 | H103 | 112MB/132SA/132S | 2 | 22000 |

⁽¹⁾ Available only with brake motor (TBS)

5,50 kW

| n ₂ [rpm] | M ₂ [Nm] | f _s | i | Gear reducer | Motor | | Fr ₂ [N] |
|-------------------------|------------------------|----------------|--------|-----------------|------------|------|------------------------|
| | | | | | Size | Pole | |
| 29,1 | 1751 | 3,0 | 33,00 | H122 | 132MB | 6 | 30000 |
| 28,1 | 1814 | 1,9 | 34,20 | H102 | 132MB | 6 | 22000 |
| 28,1 | 1791 | 1,8 | 51,52 | H102 | 132MS/132S | 4 | 22000 |
| 27,9 | 1824 | 0,9 | 34,38 | H082 | 132MB | 6 | 18000 |
| 26,6 | 1917 | 2,7 | 36,13 | H122 | 132MB | 6 | 30000 |
| 26,1 | 1889 | 1,9 | 55,47 | H103 | 132MS/132S | 4 | 22000 |
| 26,0 | 1902 | 2,6 | 55,87 | H123 | 132MS/132S | 4 | 30000 |
| 25,0 | 2040 | 1,4 | 38,45 | H102 | 132MB | 6 | 22000 |
| 24,5 | 2016 | 4,0 | 59,22 | H143 | 132S | 4 | 55000 |
| 23,2 | 2191 | 1,6 | 41,30 | H102 | 132MB | 6 | 22000 |
| 23,0 | 2145 | 3,7 | 62,99 | H143 | 132MS/132S | 4 | 55000 |
| 21,8 | 2340 | 2,2 | 44,10 | H122 | 132MB | 6 | 30000 |
| 21,5 | 2292 | 2,2 | 67,32 | H123 | 132MS/132S | 4 | 30000 |
| 21,0 | 2431 | 1,4 | 45,82 | H102 | 132MB | 6 | 22000 |
| 21,0 | 2378 | 2,2 | 45,77 | H123 | 132MB | 6 | 30000 |
| 20,8 | 2373 | 1,5 | 69,69 | H103 | 132MS/132S | 4 | 22000 |
| 20,3 | 2430 | 3,3 | 71,35 | H143 | 132MS/132S | 4 | 55000 |
| 19,7 | 2510 | 2,0 | 73,71 | H123 | 132MS/132S | 4 | 30000 |
| 18,6 | 2733 | 1,3 | 51,52 | H102 | 132MB | 6 | 22000 |
| 18,3 | 2606 | 1,0 | 160,82 | H103 | 132SA/132S | 2 | 22000 |
| 18,3 | 2693 | 3,0 | 79,07 | H143 | 132MS/132S | 4 | 55000 |
| 18,2 | 2718 | 1,3 | 79,82 | H103 | 132MS/132S | 4 | 22000 |
| 17,9 | 2780 | 3,0 | 53,53 | H143 | 132MB | 6 | 55000 |
| 17,4 | 2838 | 1,8 | 83,34 | H123 | 132MS/132S | 4 | 30000 |
| 17,3 | 2882 | 1,3 | 55,47 | H103 | 132MB | 6 | 22000 |
| 17,2 | 2866 | 1,2 | 84,16 | H103 | 132MS/132S | 4 | 22000 |
| 17,2 | 2902 | 1,8 | 55,87 | H123 | 132MB | 6 | 30000 |
| 16,8 | 2943 | 2,7 | 86,43 | H143 | 132MS/132S | 4 | 55000 |
| 16,2 | 3076 | 2,7 | 59,22 | H143 | 132MB | 6 | 55000 |
| 16,1 | 3064 | 1,6 | 89,97 | H123 | 132MS/132S | 4 | 30000 |
| 15,5 | 3179 | 1,1 | 93,36 | H103 | 132MS/132S | 4 | 22000 |
| 15,2 | 3272 | 2,6 | 62,99 | H143 | 132MB | 6 | 55000 |
| 15,1 | 3276 | 2,4 | 96,21 | H143 | 132MS/132S | 4 | 55000 |
| 14,5 | 3407 | 1,0 | 100,07 | H103 | 132MS/132S | 4 | 22000 |
| 14,5 | 3415 | 1,5 | 100,29 | H123 | 132MS/132S | 4 | 30000 |
| 14,3 | 3497 | 1,5 | 67,32 | H123 | 132MB | 6 | 30000 |
| 13,9 | 3559 | 2,2 | 104,51 | H143 | 132MS/132S | 4 | 55000 |
| 13,8 | 3620 | 1,0 | 69,69 | H103 | 132MB | 6 | 22000 |
| 13,5 | 3706 | 2,3 | 71,35 | H143 | 132MB | 6 | 55000 |
| 13,4 | 3689 | 1,4 | 108,34 | H123 | 132MS/132S | 4 | 30000 |
| 13,0 | 3829 | 1,4 | 73,71 | H123 | 132MB | 6 | 30000 |
| 12,5 | 3947 | 2,0 | 115,92 | H143 | 132MS/132S | 4 | 55000 |

5.1 H/HA GEARED MOTORS (50Hz)

5,50 kW

| n ₂ [rpm] | M ₂ [Nm] | f _s | i | Gear reducer | Motor | | Fr ₂ [N] |
|-------------------------|------------------------|----------------|--------|-----------------|------------|------|------------------------|
| | | | | | Size | Pole | |
| 12,2 | 4039 | 1,2 | 118,62 | H123 | 132MS/132S | 4 | 30000 |
| 12,1 | 4108 | 2,0 | 79,07 | H143 | 132MB | 6 | 55000 |
| 11,5 | 4329 | 1,2 | 83,34 | H123 | 132MB | 6 | 30000 |
| 11,3 | 4364 | 1,1 | 128,18 | H123 | 132MS/132S | 4 | 30000 |
| 11,3 | 4374 | 1,8 | 128,47 | H143 | 132MS/132S | 4 | 55000 |
| 11,1 | 4490 | 1,9 | 86,43 | H143 | 132MB | 6 | 55000 |
| 10,7 | 4674 | 1,1 | 89,97 | H123 | 132MB | 6 | 30000 |
| 10,4 | 4752 | 1,7 | 139,55 | H143 | 132MS/132S | 4 | 55000 |
| 10,0 | 4930 | 1,0 | 144,79 | H123 | 132MS/132S | 4 | 30000 |
| 10,0 | 4997 | 1,7 | 96,21 | H143 | 132MB | 6 | 55000 |
| 9,6 | 5209 | 1,0 | 100,29 | H123 | 132MB | 6 | 30000 |
| 9,4 | 5255 | 1,5 | 154,33 | H143 | 132MS/132S | 4 | 55000 |
| 9,3 | 5285 | 0,9 | 155,22 | H123 | 132MS/132S | 4 | 30000 |
| 9,2 | 5429 | 1,5 | 104,51 | H143 | 132MB | 6 | 55000 |
| 8,9 | 5628 | 0,9 | 108,34 | H123 | 132MB | 6 | 30000 |
| 8,3 | 6021 | 1,4 | 115,92 | H143 | 132MB | 6 | 55000 |
| 7,8 | 6332 | 1,3 | 185,96 | H143 | 132MS/132S | 4 | 55000 |
| 7,5 | 6673 | 1,3 | 128,47 | H143 | 132MB | 6 | 55000 |
| 7,0 | 7017 | 1,1 | 206,08 | H143 | 132MS/132S | 4 | 55000 |
| 6,9 | 7249 | 1,2 | 139,55 | H143 | 132MB | 6 | 55000 |
| 6,2 | 8017 | 1,0 | 154,33 | H143 | 132MB | 6 | 55000 |

7,50 kW

| n ₂ [rpm] | M ₂ [Nm] | f _s | i | Gear reducer | Motor | | Fr ₂ [N] |
|-------------------------|------------------------|----------------|------|-----------------|------------|------|------------------------|
| | | | | | Size | Pole | |
| 1144,9 | 59 | 3,8 | 2,54 | HR081 | 132M/132SB | 2 | 2752 |
| 1125,4 | 62 | 3,6 | 1,30 | HR081 | 132MA/132M | 4 | 2762 |
| 1022,0 | 68 | 3,5 | 1,43 | HR081 | 132MA/132M | 4 | 2842 |
| 895,4 | 75 | 3,2 | 3,25 | HR081 | 132M/132SB | 2 | 2961 |
| 781,8 | 86 | 2,8 | 3,72 | HR081 | 132M/132SB | 2 | 3080 |
| 750,9 | 93 | 2,7 | 1,93 | HR081 | 132MA/132M | 4 | 3110 |
| 732,5 | 92 | 2,6 | 4,00 | HR081 | 132M/132SB | 2 | 3139 |
| 623,6 | 108 | 2,2 | 4,67 | HR081 | 132M/132SB | 2 | 3287 |
| 570,5 | 122 | 2,4 | 2,54 | HR081 | 132MA/132M | 4 | 3362 |
| 556,3 | 121 | 3,9 | 5,27 | HR101 | 132M/132SB | 2 | 4365 |
| 541,4 | 123 | 3,1 | 5,38 | H062 | 132M/132SB | 2 | 7718 |
| 525,4 | 128 | 1,9 | 5,54 | HR081 | 132M/132SB | 2 | 3449 |
| 490,3 | 135 | 3,0 | 5,93 | H062 | 132M/132SB | 2 | 7924 |
| 489,4 | 136 | 3,9 | 5,95 | H082 | 132M/132SB | 2 | 9964 |
| 478,4 | 140 | 1,8 | 6,08 | HR081 | 132M/132SB | 2 | 3540 |
| 477,3 | 147 | 3,4 | 2,03 | HR101 | 160M | 6 | 4564 |
| 467,0 | 144 | 3,3 | 6,23 | HR101 | 132M/132SB | 2 | 4603 |

7,50 kW

| n ₂ [rpm] | M ₂ [Nm] | f _s | i | Gear reducer | Motor | | Fr ₂ [N] |
|-------------------------|------------------------|----------------|-------|-----------------|------------|------|------------------------|
| | | | | | Size | Pole | |
| 446,2 | 156 | 2,0 | 3,25 | HR081 | 132MA/132M | 4 | 3596 |
| 443,1 | 157 | 3,9 | 3,27 | HR101 | 132MA/132M | 4 | 4669 |
| 393,7 | 169 | 2,4 | 7,39 | H062 | 132M/132SB | 2 | 8384 |
| 393,5 | 169 | 3,6 | 7,39 | H082 | 132M/132SB | 2 | 10602 |
| 391,9 | 177 | 3,4 | 3,70 | HR101 | 132MA/132M | 4 | 4842 |
| 390,9 | 180 | 3,4 | 2,48 | HR101 | 160M | 6 | 4843 |
| 389,6 | 178 | 1,8 | 3,72 | HR081 | 132MA/132M | 4 | 3728 |
| 388,0 | 173 | 1,5 | 7,50 | HR081 | 132M/132SB | 2 | 3745 |
| 385,7 | 174 | 2,8 | 7,55 | HR101 | 132M/132SB | 2 | 4874 |
| 362,8 | 183 | 3,3 | 8,02 | H082 | 132M/132SB | 2 | 10846 |
| 362,5 | 192 | 1,7 | 4,00 | HR081 | 132MA/132M | 4 | 3798 |
| 346,4 | 194 | 2,5 | 8,40 | HR101 | 132M/132SB | 2 | 5000 |
| 344,6 | 195 | 1,3 | 8,44 | HR081 | 132M/132SB | 2 | 3863 |
| 343,4 | 202 | 3,0 | 4,22 | HR101 | 132MA/132M | 4 | 5000 |
| 342,4 | 194 | 2,3 | 8,50 | H062 | 132M/132SB | 2 | 8679 |
| 328,8 | 202 | 3,3 | 8,85 | H082 | 132M/132SB | 2 | 11145 |
| 310,7 | 224 | 1,4 | 4,67 | HR081 | 132MA/132M | 4 | 3950 |
| 310,1 | 214 | 2,1 | 9,39 | H062 | 132M/132SB | 2 | 8888 |
| 308,6 | 227 | 3,9 | 3,14 | HR121 | 160M | 6 | 6000 |
| 302,1 | 230 | 3,8 | 4,80 | HR121 | 132MA/132M | 4 | 6000 |
| 297,4 | 234 | 2,7 | 4,88 | HR101 | 132MA/132M | 4 | 5000 |
| 296,4 | 237 | 2,7 | 3,27 | HR101 | 160M | 6 | 5000 |
| 278,1 | 250 | 3,5 | 5,21 | HR121 | 132MA/132M | 4 | 6000 |
| 275,3 | 252 | 2,5 | 5,27 | HR101 | 132MA/132M | 4 | 5000 |
| 271,0 | 259 | 3,4 | 3,58 | HR121 | 160M | 6 | 6000 |
| 269,8 | 255 | 2,0 | 5,38 | H062 | 132MA/132M | 4 | 9126 |
| 269,1 | 256 | 2,7 | 5,39 | H082 | 132MA/132M | 4 | 11725 |
| 264,4 | 251 | 3,3 | 11,01 | H082 | 132M/132SB | 2 | 11821 |
| 262,2 | 268 | 2,4 | 3,70 | HR101 | 160M | 6 | 5000 |
| 261,8 | 265 | 1,2 | 5,54 | HR081 | 132MA/132M | 4 | 4000 |
| 249,0 | 266 | 1,8 | 11,69 | H062 | 132M/132SB | 2 | 9343 |
| 244,3 | 281 | 2,0 | 5,93 | H062 | 132MA/132M | 4 | 9324 |
| 243,9 | 282 | 2,5 | 5,95 | H082 | 132MA/132M | 4 | 12030 |
| 238,4 | 291 | 1,2 | 6,08 | HR081 | 132MA/132M | 4 | 4000 |
| 235,6 | 298 | 3,0 | 4,12 | HR121 | 160M | 6 | 6000 |
| 232,7 | 299 | 2,1 | 6,23 | HR101 | 132MA/132M | 4 | 5000 |
| 232,0 | 299 | 3,0 | 6,25 | HR121 | 132MA/132M | 4 | 6000 |
| 229,7 | 289 | 1,8 | 12,67 | H062 | 132M/132SB | 2 | 9506 |
| 229,7 | 305 | 2,1 | 4,22 | HR101 | 160M | 6 | 5000 |
| 215,6 | 308 | 3,4 | 13,50 | H082 | 132M/132SB | 2 | 12465 |
| 202,1 | 347 | 2,6 | 4,80 | HR121 | 160M | 6 | 6000 |
| 199,0 | 353 | 1,8 | 4,88 | HR101 | 160M | 6 | 5000 |

7,50 kW

| n ₂ [rpm] | M ₂ [Nm] | f _s | i | Gear reducer | Motor | | Fr ₂ [N] |
|-------------------------|------------------------|----------------|-------|-----------------|------------|------|------------------------|
| | | | | | Size | Pole | |
| 197,3 | 336 | 1,6 | 14,75 | H062 | 132M/132SB | 2 | 9806 |
| 196,2 | 350 | 1,6 | 7,39 | H062 | 132MA/132M | 4 | 9745 |
| 196,1 | 351 | 2,3 | 7,39 | H082 | 132MA/132M | 4 | 12709 |
| 195,4 | 340 | 3,3 | 14,90 | H082 | 132M/132SB | 2 | 12777 |
| 193,3 | 359 | 1,0 | 7,50 | HR081 | 132MA/132M | 4 | 4000 |
| 192,2 | 362 | 1,8 | 7,55 | HR101 | 132MA/132M | 4 | 5000 |
| 188,3 | 369 | 2,7 | 7,70 | HR121 | 132MA/132M | 4 | 6000 |
| 186,0 | 377 | 2,4 | 5,21 | HR121 | 160M | 6 | 6000 |
| 184,2 | 381 | 1,7 | 5,27 | HR101 | 160M | 6 | 5000 |
| 180,8 | 380 | 2,1 | 8,02 | H082 | 132MA/132M | 4 | 12963 |
| 180,0 | 386 | 1,9 | 5,39 | H082 | 160M | 6 | 12958 |
| 178,7 | 371 | 1,6 | 16,29 | H062 | 132M/132SB | 2 | 9993 |
| 175,1 | 379 | 3,0 | 16,62 | H082 | 132M/132SB | 2 | 13124 |
| 172,6 | 402 | 1,6 | 8,40 | HR101 | 132MA/132M | 4 | 5000 |
| 170,6 | 403 | 1,5 | 8,50 | H062 | 132MA/132M | 4 | 9995 |
| 164,7 | 403 | 1,5 | 17,67 | H062 | 132M/132SB | 2 | 10140 |
| 163,8 | 420 | 2,1 | 8,85 | H082 | 132MA/132M | 4 | 13268 |
| 163,1 | 426 | 1,7 | 5,95 | H082 | 160M | 6 | 13262 |
| 157,1 | 422 | 2,7 | 18,53 | H082 | 132M/132SB | 2 | 13468 |
| 155,7 | 451 | 1,5 | 6,23 | HR101 | 160M | 6 | 5000 |
| 155,2 | 452 | 2,1 | 6,25 | HR121 | 160M | 6 | 6000 |
| 154,5 | 445 | 1,3 | 9,39 | H062 | 132MA/132M | 4 | 10161 |
| 150,1 | 442 | 2,7 | 19,38 | H082 | 132M/132SB | 2 | 13610 |
| 143,5 | 462 | 1,4 | 20,28 | H062 | 132M/132SB | 2 | 10375 |
| 136,1 | 488 | 2,5 | 21,39 | H082 | 132M/132SB | 2 | 13917 |
| 131,7 | 522 | 2,1 | 11,01 | H082 | 132MA/132M | 4 | 13933 |
| 131,2 | 529 | 1,6 | 7,39 | H082 | 160M | 6 | 13922 |
| 128,6 | 546 | 1,3 | 7,55 | HR101 | 160M | 6 | 5000 |
| 127,6 | 520 | 2,3 | 22,80 | H082 | 132M/132SB | 2 | 14114 |
| 126,0 | 557 | 1,9 | 7,70 | HR121 | 160M | 6 | 6000 |
| 125,0 | 531 | 1,2 | 23,27 | H062 | 132M/132SB | 2 | 10584 |
| 124,1 | 554 | 1,2 | 11,69 | H062 | 132MA/132M | 4 | 10482 |
| 120,9 | 574 | 1,5 | 8,02 | H082 | 160M | 6 | 14162 |
| 115,5 | 608 | 1,1 | 8,40 | HR101 | 160M | 6 | 5000 |
| 114,5 | 601 | 1,2 | 12,67 | H062 | 132MA/132M | 4 | 10581 |
| 109,6 | 634 | 1,5 | 8,85 | H082 | 160M | 6 | 14444 |
| 109,4 | 607 | 2,0 | 26,60 | H082 | 132M/132SB | 2 | 14579 |
| 107,4 | 640 | 2,2 | 13,50 | H082 | 132MA/132M | 4 | 14530 |
| 104,4 | 636 | 1,9 | 27,88 | H082 | 132M/132SB | 2 | 14716 |
| 101,3 | 655 | 3,8 | 28,73 | H102 | 132M/132SB | 2 | 21346 |
| 98,3 | 699 | 1,0 | 14,75 | H062 | 132MA/132M | 4 | 10731 |
| 97,3 | 706 | 2,1 | 14,90 | H082 | 132MA/132M | 4 | 14804 |

7,50 kW

| n ₂ [rpm] | M ₂ [Nm] | f _s | i | Gear reducer | Motor | | Fr ₂ [N] |
|-------------------------|------------------------|----------------|-------|-----------------|------------|------|------------------------|
| | | | | | Size | Pole | |
| 94,7 | 700 | 3,4 | 30,72 | H102 | 132M/132SB | 2 | 21707 |
| 93,4 | 710 | 1,7 | 31,15 | H082 | 132M/132SB | 2 | 15033 |
| 89,0 | 772 | 1,0 | 16,29 | H062 | 132MA/132M | 4 | 10798 |
| 88,1 | 788 | 1,5 | 11,01 | H082 | 160M | 6 | 15032 |
| 87,5 | 794 | 4,0 | 11,09 | H102 | 160M | 6 | 22000 |
| 87,3 | 788 | 1,9 | 16,62 | H082 | 132MA/132M | 4 | 15093 |
| 85,1 | 780 | 3,1 | 34,20 | H102 | 132M/132SB | 2 | 22000 |
| 84,7 | 784 | 1,5 | 34,38 | H082 | 132M/132SB | 2 | 15300 |
| 82,1 | 838 | 1,0 | 17,67 | H062 | 132MA/132M | 4 | 10833 |
| 81,2 | 847 | 3,8 | 17,85 | H102 | 132MA/132M | 4 | 22000 |
| 78,3 | 878 | 1,7 | 18,53 | H082 | 132MA/132M | 4 | 15362 |
| 75,7 | 877 | 2,4 | 38,45 | H102 | 132M/132SB | 2 | 22000 |
| 75,2 | 883 | 1,4 | 38,70 | H082 | 132M/132SB | 2 | 15602 |
| 74,8 | 919 | 1,7 | 19,38 | H082 | 132MA/132M | 4 | 15468 |
| 73,1 | 941 | 3,4 | 19,85 | H102 | 132MA/132M | 4 | 22000 |
| 72,8 | 954 | 3,4 | 13,32 | H102 | 160M | 6 | 22000 |
| 71,9 | 967 | 1,5 | 13,50 | H082 | 160M | 6 | 15514 |
| 70,5 | 942 | 2,6 | 41,30 | H102 | 132M/132SB | 2 | 22000 |
| 68,1 | 975 | 1,2 | 42,75 | H082 | 132M/132SB | 2 | 15835 |
| 67,8 | 1014 | 1,6 | 21,39 | H082 | 132MA/132M | 4 | 15682 |
| 67,6 | 1017 | 3,1 | 21,44 | H102 | 132MA/132M | 4 | 22000 |
| 65,1 | 1066 | 1,5 | 14,90 | H082 | 160M | 6 | 15715 |
| 63,6 | 1081 | 1,5 | 22,80 | H082 | 132MA/132M | 4 | 15809 |
| 63,5 | 1045 | 2,4 | 45,82 | H102 | 132M/132SB | 2 | 22000 |
| 60,5 | 1098 | 1,1 | 48,13 | H082 | 132M/132SB | 2 | 16084 |
| 60,5 | 1137 | 2,9 | 23,97 | H102 | 132MA/132M | 4 | 22000 |
| 60,3 | 1152 | 2,9 | 16,09 | H102 | 160M | 6 | 22000 |
| 58,4 | 1190 | 1,3 | 16,62 | H082 | 160M | 6 | 15908 |
| 56,5 | 1175 | 2,1 | 51,52 | H102 | 132M/132SB | 2 | 22000 |
| 56,0 | 1228 | 2,7 | 25,89 | H102 | 132MA/132M | 4 | 22000 |
| 54,5 | 1261 | 1,3 | 26,60 | H082 | 132MA/132M | 4 | 16068 |
| 54,3 | 1278 | 2,6 | 17,85 | H102 | 160M | 6 | 22000 |
| 52,7 | 1304 | 3,8 | 27,49 | H122 | 132MA/132M | 4 | 30000 |
| 52,5 | 1239 | 2,1 | 55,47 | H103 | 132M/132SB | 2 | 22000 |
| 52,4 | 1326 | 1,2 | 18,53 | H082 | 160M | 6 | 16063 |
| 52,0 | 1322 | 1,2 | 27,88 | H082 | 132MA/132M | 4 | 16132 |
| 50,5 | 1362 | 2,4 | 28,73 | H102 | 132MA/132M | 4 | 22000 |
| 50,2 | 1383 | 3,8 | 19,32 | H122 | 160M | 6 | 30000 |
| 50,0 | 1388 | 1,2 | 19,38 | H082 | 160M | 6 | 16115 |
| 48,9 | 1421 | 2,4 | 19,85 | H102 | 160M | 6 | 22000 |
| 48,6 | 1416 | 3,5 | 29,86 | H122 | 132MA/132M | 4 | 30000 |
| 47,2 | 1457 | 2,2 | 30,72 | H102 | 132MA/132M | 4 | 22000 |

7,50 kW

| n ₂ [rpm] | M ₂ [Nm] | f _s | i | Gear reducer | Motor | | Fr ₂ [N] |
|-------------------------|------------------------|----------------|--------|-----------------|------------|------|------------------------|
| | | | | | Size | Pole | |
| 47,2 | 1473 | 3,6 | 20,57 | H122 | 160M | 6 | 30000 |
| 46,5 | 1477 | 1,1 | 31,15 | H082 | 132MA/132M | 4 | 16249 |
| 45,4 | 1531 | 1,1 | 21,39 | H082 | 160M | 6 | 16200 |
| 45,2 | 1535 | 2,2 | 21,44 | H102 | 160M | 6 | 22000 |
| 43,9 | 1565 | 3,2 | 33,00 | H122 | 132MA/132M | 4 | 30000 |
| 43,1 | 1613 | 3,3 | 22,52 | H122 | 160M | 6 | 30000 |
| 42,5 | 1632 | 1,0 | 22,80 | H082 | 160M | 6 | 16233 |
| 42,4 | 1622 | 2,0 | 34,20 | H102 | 132MA/132M | 4 | 22000 |
| 42,2 | 1630 | 1,0 | 34,38 | H082 | 132MA/132M | 4 | 16310 |
| 41,8 | 1556 | 1,7 | 69,69 | H103 | 132M/132SB | 2 | 22000 |
| 40,5 | 1716 | 2,0 | 23,97 | H102 | 160M | 6 | 22000 |
| 40,1 | 1713 | 2,9 | 36,13 | H122 | 132MA/132M | 4 | 30000 |
| 39,6 | 1752 | 3,0 | 24,47 | H122 | 160M | 6 | 30000 |
| 37,7 | 1823 | 1,5 | 38,45 | H102 | 132MA/132M | 4 | 22000 |
| 37,5 | 1854 | 1,9 | 25,89 | H102 | 160M | 6 | 22000 |
| 36,5 | 1782 | 1,5 | 79,82 | H103 | 132M/132SB | 2 | 22000 |
| 35,3 | 1968 | 2,7 | 27,49 | H122 | 160M | 6 | 30000 |
| 35,1 | 1958 | 1,7 | 41,30 | H102 | 132MA/132M | 4 | 22000 |
| 34,6 | 1879 | 1,4 | 84,16 | H103 | 132M/132SB | 2 | 22000 |
| 33,8 | 2057 | 1,7 | 28,73 | H102 | 160M | 6 | 22000 |
| 32,9 | 2091 | 2,4 | 44,10 | H122 | 132MA/132M | 4 | 30000 |
| 32,5 | 2138 | 2,5 | 29,86 | H122 | 160M | 6 | 30000 |
| 31,7 | 2125 | 2,4 | 45,77 | H123 | 132MA/132M | 4 | 30000 |
| 31,6 | 2199 | 1,5 | 30,72 | H102 | 160M | 6 | 22000 |
| 31,6 | 2173 | 1,5 | 45,82 | H102 | 132MA/132M | 4 | 22000 |
| 31,2 | 2085 | 1,3 | 93,36 | H103 | 132M/132SB | 2 | 22000 |
| 30,1 | 2308 | 3,6 | 32,24 | H142 | 160M | 6 | 55000 |
| 29,4 | 2363 | 2,2 | 33,00 | H122 | 160M | 6 | 30000 |
| 29,1 | 2234 | 1,2 | 100,07 | H103 | 132M/132SB | 2 | 22000 |
| 28,4 | 2449 | 1,4 | 34,20 | H102 | 160M | 6 | 22000 |
| 28,1 | 2443 | 1,4 | 51,52 | H102 | 132MA/132M | 4 | 22000 |
| 27,1 | 2485 | 3,2 | 53,53 | H143 | 132MA/132M | 4 | 55000 |
| 26,8 | 2587 | 2,0 | 36,13 | H122 | 160M | 6 | 30000 |
| 26,1 | 2576 | 1,4 | 55,47 | H103 | 132MA/132M | 4 | 22000 |
| 26,0 | 2594 | 1,9 | 55,87 | H123 | 132MA/132M | 4 | 30000 |
| 25,0 | 2781 | 3,0 | 38,85 | H142 | 160M | 6 | 55000 |
| 24,5 | 2750 | 2,9 | 59,22 | H143 | 132MA/132M | 4 | 55000 |
| 23,5 | 2957 | 1,2 | 41,30 | H102 | 160M | 6 | 22000 |
| 23,0 | 2925 | 2,7 | 62,99 | H143 | 132MA/132M | 4 | 55000 |
| 22,5 | 3083 | 2,7 | 43,05 | H142 | 160M | 6 | 55000 |
| 22,0 | 3157 | 1,7 | 44,10 | H122 | 160M | 6 | 30000 |
| 21,5 | 3126 | 1,6 | 67,32 | H123 | 132MA/132M | 4 | 30000 |

5.1 H/HA GEARED MOTORS (50Hz)

7,50 kW

| n ₂ [rpm] | M ₂ [Nm] | f _s | i | Gear reducer | Motor | | Fr ₂ [N] |
|-------------------------|------------------------|----------------|--------|-----------------|------------|------|------------------------|
| | | | | | Size | Pole | |
| 21,2 | 3280 | 1,1 | 45,82 | H102 | 160M | 6 | 22000 |
| 21,2 | 3209 | 1,6 | 45,77 | H123 | 160M | 6 | 30000 |
| 20,8 | 3236 | 1,1 | 69,69 | H103 | 132MA/132M | 4 | 22000 |
| 20,3 | 3313 | 2,4 | 71,35 | H143 | 132MA/132M | 4 | 55000 |
| 20,1 | 3389 | 2,5 | 48,35 | H143 | 160M | 6 | 55000 |
| 19,7 | 3423 | 1,5 | 73,71 | H123 | 132MA/132M | 4 | 30000 |
| 18,3 | 3672 | 2,2 | 79,07 | H143 | 132MA/132M | 4 | 55000 |
| 18,2 | 3706 | 0,9 | 79,82 | H103 | 132MA/132M | 4 | 22000 |
| 18,1 | 3752 | 2,2 | 53,53 | H143 | 160M | 6 | 55000 |
| 17,5 | 3889 | 0,9 | 55,47 | H103 | 160M | 6 | 22000 |
| 17,4 | 3917 | 1,3 | 55,87 | H123 | 160M | 6 | 30000 |
| 17,4 | 3869 | 1,3 | 83,34 | H123 | 132MA/132M | 4 | 30000 |
| 17,3 | 3881 | 0,9 | 84,16 | H103 | 132MA/132M | 4 | 22000 |
| 16,8 | 4013 | 2,0 | 86,43 | H143 | 132MA/132M | 4 | 55000 |
| 16,4 | 4151 | 2,0 | 59,22 | H143 | 160M | 6 | 55000 |
| 16,1 | 4178 | 1,2 | 89,97 | H123 | 132MA/132M | 4 | 30000 |
| 15,4 | 4416 | 1,9 | 62,99 | H143 | 160M | 6 | 55000 |
| 15,1 | 4467 | 1,8 | 96,21 | H143 | 132MA/132M | 4 | 55000 |
| 14,5 | 4657 | 1,1 | 100,29 | H123 | 132MA/132M | 4 | 30000 |
| 14,4 | 4720 | 1,1 | 67,32 | H123 | 160M | 6 | 30000 |
| 13,9 | 4853 | 1,6 | 104,51 | H143 | 132MA/132M | 4 | 55000 |
| 13,6 | 5002 | 1,7 | 71,35 | H143 | 160M | 6 | 55000 |
| 13,4 | 5031 | 1,0 | 108,34 | H123 | 132MA/132M | 4 | 30000 |
| 13,2 | 5167 | 1,0 | 73,71 | H123 | 160M | 6 | 30000 |
| 12,5 | 5382 | 1,5 | 115,92 | H143 | 132MA/132M | 4 | 55000 |
| 12,3 | 5543 | 1,5 | 79,07 | H143 | 160M | 6 | 55000 |
| 12,2 | 5508 | 0,9 | 118,62 | H123 | 132MA/132M | 4 | 30000 |
| 11,3 | 5965 | 1,3 | 128,47 | H143 | 132MA/132M | 4 | 55000 |
| 11,2 | 6059 | 1,4 | 86,43 | H143 | 160M | 6 | 55000 |
| 10,4 | 6480 | 1,2 | 139,55 | H143 | 132MA/132M | 4 | 55000 |
| 10,1 | 6744 | 1,2 | 96,21 | H143 | 160M | 6 | 55000 |
| 9,4 | 7166 | 1,1 | 154,33 | H143 | 132MA/132M | 4 | 55000 |
| 9,3 | 7327 | 1,1 | 104,51 | H143 | 160M | 6 | 55000 |
| 8,4 | 8126 | 1,0 | 115,92 | H143 | 160M | 6 | 55000 |
| 7,8 | 8634 | 0,9 | 185,96 | H143 | 132MA/132M | 4 | 55000 |
| 7,6 | 9006 | 0,9 | 128,47 | H143 | 160M | 6 | 55000 |

9,20 kW

| n ₂ [rpm] | M ₂ [Nm] | f _s | i | Gear reducer | Motor | | Fr ₂ [N] |
|-------------------------|------------------------|----------------|------|-----------------|------------|------|------------------------|
| | | | | | Size | Pole | |
| 1507,0 | 55 | 3,4 | 1,93 | HR081 | 132M/132MA | 2 | 2511 |
| 1144,9 | 72 | 3,1 | 2,54 | HR081 | 132M/132MA | 2 | 2724 |

9,20 kW

| n ₂ [rpm] | M ₂ [Nm] | f _s | i | Gear reducer | Motor | | Fr ₂ [N] |
|-------------------------|------------------------|----------------|------|-----------------|------------|------|------------------------|
| | | | | | Size | Pole | |
| 1125,4 | 76 | 2,9 | 1,30 | HR081 | 132MB | 4 | 2732 |
| 1015,0 | 84 | 2,9 | 1,43 | HR081 | 132MB | 4 | 2815 |
| 895,4 | 92 | 2,6 | 3,25 | HR081 | 132M/132MA | 2 | 2925 |
| 781,8 | 105 | 2,3 | 3,72 | HR081 | 132M/132MA | 2 | 3039 |
| 756,1 | 113 | 2,2 | 1,93 | HR081 | 132MB | 4 | 3060 |
| 727,5 | 113 | 2,1 | 4,00 | HR081 | 132M/132MA | 2 | 3101 |
| 693,9 | 119 | 3,9 | 4,22 | HR101 | 132M/132MA | 2 | 4049 |
| 623,6 | 132 | 1,8 | 4,67 | HR081 | 132M/132MA | 2 | 3236 |
| 596,9 | 138 | 3,4 | 4,88 | HR101 | 132M/132MA | 2 | 4237 |
| 584,3 | 146 | 3,9 | 2,48 | HR101 | 132MB | 4 | 4257 |
| 570,5 | 149 | 2,0 | 2,54 | HR081 | 132MB | 4 | 3304 |
| 552,5 | 149 | 3,1 | 5,27 | HR101 | 132M/132MA | 2 | 4336 |
| 541,4 | 150 | 2,5 | 5,38 | H062 | 132M/132MA | 2 | 7556 |
| 540,0 | 151 | 3,5 | 5,39 | H082 | 132M/132MA | 2 | 9556 |
| 525,4 | 157 | 1,6 | 5,54 | HR081 | 132M/132MA | 2 | 3388 |
| 490,3 | 166 | 2,5 | 5,93 | H062 | 132M/132MA | 2 | 7745 |
| 489,4 | 166 | 3,2 | 5,95 | H082 | 132M/132MA | 2 | 9823 |
| 478,4 | 172 | 1,5 | 6,08 | HR081 | 132M/132MA | 2 | 3473 |
| 467,0 | 176 | 2,7 | 6,23 | HR101 | 132M/132MA | 2 | 4558 |
| 465,6 | 177 | 3,8 | 6,25 | HR121 | 132M/132MA | 2 | 5843 |
| 446,2 | 191 | 1,6 | 3,25 | HR081 | 132MB | 4 | 3521 |
| 443,1 | 192 | 3,2 | 3,27 | HR101 | 132MB | 4 | 4619 |
| 393,7 | 207 | 2,0 | 7,39 | H062 | 132M/132MA | 2 | 8162 |
| 393,5 | 207 | 2,9 | 7,39 | H082 | 132M/132MA | 2 | 10428 |
| 391,9 | 217 | 2,8 | 3,70 | HR101 | 132MB | 4 | 4786 |
| 389,6 | 219 | 1,5 | 3,72 | HR081 | 132MB | 4 | 3643 |
| 388,0 | 212 | 1,2 | 7,50 | HR081 | 132M/132MA | 2 | 3662 |
| 385,7 | 213 | 2,3 | 7,55 | HR101 | 132M/132MA | 2 | 4819 |
| 377,9 | 218 | 3,4 | 7,70 | HR121 | 132M/132MA | 2 | 6000 |
| 362,8 | 224 | 2,7 | 8,02 | H082 | 132M/132MA | 2 | 10657 |
| 362,5 | 235 | 1,4 | 4,00 | HR081 | 132MB | 4 | 3707 |
| 352,1 | 242 | 3,5 | 4,12 | HR121 | 132MB | 4 | 6000 |
| 346,4 | 237 | 2,1 | 8,40 | HR101 | 132M/132MA | 2 | 4970 |
| 344,6 | 239 | 1,1 | 8,44 | HR081 | 132M/132MA | 2 | 3770 |
| 343,4 | 248 | 2,5 | 4,22 | HR101 | 132MB | 4 | 4970 |
| 342,4 | 238 | 1,9 | 8,50 | H062 | 132M/132MA | 2 | 8424 |
| 328,8 | 248 | 2,7 | 8,85 | H082 | 132M/132MA | 2 | 10936 |
| 310,7 | 274 | 1,2 | 4,67 | HR081 | 132MB | 4 | 3843 |
| 310,1 | 263 | 1,7 | 9,39 | H062 | 132M/132MA | 2 | 8605 |
| 302,1 | 282 | 3,1 | 4,80 | HR121 | 132MB | 4 | 6000 |
| 297,4 | 287 | 2,2 | 4,88 | HR101 | 132MB | 4 | 5000 |
| 278,1 | 306 | 2,9 | 5,21 | HR121 | 132MB | 4 | 6000 |

9,20 kW

| n ₂ [rpm] | M ₂ [Nm] | f _s | i | Gear reducer | Motor | | Fr ₂ [N] |
|-------------------------|------------------------|----------------|-------|-----------------|----------------------|------|------------------------|
| | | | | | Size | Pole | |
| 275,3 | 310 | 2,0 | 5,27 | HR101 | 132MB | 4 | 5000 |
| 269,8 | 313 | 1,6 | 5,38 | H062 | 132MB | 4 | 8789 |
| 269,1 | 313 | 2,2 | 5,39 | H082 | 132MB | 4 | 11460 |
| 264,4 | 308 | 2,7 | 11,01 | H082 | 132M/132MA | 2 | 11561 |
| 261,8 | 326 | 1,0 | 5,54 | HR081 | 132MB | 4 | 3992 |
| 249,0 | 327 | 1,5 | 11,69 | H062 | 132M/132MA | 2 | 8991 |
| 244,3 | 345 | 1,6 | 5,93 | H062 | 132MB | 4 | 8952 |
| 243,9 | 346 | 2,0 | 5,95 | H082 | 132MB | 4 | 11737 |
| 238,4 | 358 | 1,0 | 6,08 | HR081 | 132MB | 4 | 4000 |
| 232,7 | 366 | 1,7 | 6,23 | HR101 | 132MB | 4 | 5000 |
| 232,0 | 367 | 2,5 | 6,25 | HR121 | 132MB | 4 | 6000 |
| 229,7 | 354 | 1,5 | 12,67 | H062 | 132M/132MA | 2 | 9125 |
| 215,6 | 378 | 2,8 | 13,50 | H082 | 132M/132MA | 2 | 12146 |
| 197,3 | 413 | 1,3 | 14,75 | H062 | 132M/132MA | 2 | 9362 |
| 196,2 | 430 | 1,3 | 7,39 | H062 | 132MB | 4 | 9282 |
| 196,1 | 430 | 1,9 | 7,39 | H082 | 132MB | 4 | 12346 |
| 195,4 | 417 | 2,7 | 14,90 | H082 | 132M/132MA | 2 | 12425 |
| 192,2 | 443 | 1,5 | 7,55 | HR101 | 132MB | 4 | 5000 |
| 188,3 | 453 | 2,2 | 7,70 | HR121 | 132MB | 4 | 6000 |
| 180,8 | 467 | 1,7 | 8,02 | H082 | 132MB | 4 | 12568 |
| 178,7 | 456 | 1,3 | 16,29 | H062 | 132M/132MA | 2 | 9502 |
| 175,1 | 465 | 2,4 | 16,62 | H082 | 132M/132MA | 2 | 12731 |
| 172,6 | 494 | 1,3 | 8,40 | HR101 | 132MB | 4 | 5000 |
| 170,6 | 494 | 1,2 | 8,50 | H062 | 132MB | 4 | 9463 |
| 163,8 | 515 | 1,7 | 8,85 | H082 | 132MB | 4 | 12833 |
| 157,1 | 518 | 2,2 | 18,53 | H082 | 132M/132MA | 2 | 13030 |
| 154,5 | 546 | 1,1 | 9,39 | H062 | 132MB | 4 | 9573 |
| 150,1 | 542 | 2,2 | 19,38 | H082 | 132M/132MA | 2 | 13152 |
| 136,1 | 598 | 2,0 | 21,39 | H082 | 132M/132MA | 2 | 13412 |
| 131,7 | 640 | 1,7 | 11,01 | H082 | 132MB | 4 | 13392 |
| 127,6 | 638 | 1,9 | 22,80 | H082 | 132M/132MA | 2 | 13575 |
| 124,1 | 680 | 1,0 | 11,69 | H062 | 132MB | 4 | 9750 |
| 121,4 | 670 | 3,7 | 23,97 | H102 | 132M/132MA | 2 | 19905 |
| 114,5 | 737 | 1,0 | 12,67 | H062 | 132MB | 4 | 9787 |
| 112,4 | 724 | 3,4 | 25,89 | H102 | 132M/132MA | 2 | 20281 |
| 109,4 | 744 | 1,6 | 26,60 | H082 | 132M/132MA | 2 | 13950 |
| 108,8 | 775 | 4,0 | 13,32 | H102 | 132MB ⁽¹⁾ | 4 | 20334 |
| 107,4 | 785 | 1,8 | 13,50 | H082 | 132MB | 4 | 13866 |
| 104,4 | 780 | 1,5 | 27,88 | H082 | 132M/132MA | 2 | 14057 |
| 101,3 | 804 | 3,1 | 28,73 | H102 | 132M/132MA | 2 | 20783 |
| 97,3 | 866 | 1,7 | 14,90 | H082 | 132MB | 4 | 14071 |
| 94,7 | 859 | 2,8 | 30,72 | H102 | 132M/132MA | 2 | 21105 |

⁽¹⁾ Available only with brake motor (TBS)

9,20 kW

| n ₂ [rpm] | M ₂ [Nm] | f _s | i | Gear reducer | Motor | | Fr ₂ [N] |
|-------------------------|------------------------|----------------|-------|-----------------|------------|------|------------------------|
| | | | | | Size | Pole | |
| 93,4 | 871 | 1,4 | 31,15 | H082 | 132M/132MA | 2 | 14296 |
| 90,1 | 936 | 3,4 | 16,09 | H102 | 132MB | 4 | 21219 |
| 87,3 | 967 | 1,6 | 16,62 | H082 | 132MB | 4 | 14276 |
| 85,1 | 957 | 2,5 | 34,20 | H102 | 132M/132MA | 2 | 21614 |
| 84,7 | 961 | 1,2 | 34,38 | H082 | 132M/132MA | 2 | 14487 |
| 81,2 | 1038 | 3,1 | 17,85 | H102 | 132MB | 4 | 21694 |
| 78,3 | 1078 | 1,4 | 18,53 | H082 | 132MB | 4 | 14451 |
| 75,7 | 1076 | 2,0 | 38,45 | H102 | 132M/132MA | 2 | 22000 |
| 75,2 | 1083 | 1,1 | 38,70 | H082 | 132M/132MA | 2 | 14687 |
| 74,8 | 1128 | 1,4 | 19,38 | H082 | 132MB | 4 | 14515 |
| 73,1 | 1155 | 2,8 | 19,85 | H102 | 132MB | 4 | 22000 |
| 70,5 | 1155 | 2,1 | 41,30 | H102 | 132M/132MA | 2 | 22000 |
| 68,1 | 1196 | 1,0 | 42,75 | H082 | 132M/132MA | 2 | 14825 |
| 67,8 | 1244 | 1,3 | 21,39 | H082 | 132MB | 4 | 14631 |
| 67,6 | 1247 | 2,6 | 21,44 | H102 | 132MB | 4 | 22000 |
| 64,4 | 1310 | 3,8 | 22,52 | H122 | 132MB | 4 | 30000 |
| 63,6 | 1326 | 1,2 | 22,80 | H082 | 132MB | 4 | 14688 |
| 63,5 | 1282 | 1,9 | 45,82 | H102 | 132M/132MA | 2 | 22000 |
| 60,5 | 1394 | 2,4 | 23,97 | H102 | 132MB | 4 | 22000 |
| 59,3 | 1423 | 3,5 | 24,47 | H122 | 132MB | 4 | 30000 |
| 56,5 | 1441 | 1,7 | 51,52 | H102 | 132M/132MA | 2 | 22000 |
| 56,0 | 1506 | 2,2 | 25,89 | H102 | 132MB | 4 | 22000 |
| 54,5 | 1547 | 1,0 | 26,60 | H082 | 132MB | 4 | 14760 |
| 52,7 | 1599 | 3,1 | 27,49 | H122 | 132MB | 4 | 30000 |
| 52,5 | 1519 | 1,7 | 55,47 | H103 | 132M/132MA | 2 | 22000 |
| 52,0 | 1622 | 1,0 | 27,88 | H082 | 132MB | 4 | 14761 |
| 50,5 | 1671 | 2,0 | 28,73 | H102 | 132MB | 4 | 22000 |
| 48,6 | 1737 | 2,9 | 29,86 | H122 | 132MB | 4 | 30000 |
| 47,2 | 1787 | 1,8 | 30,72 | H102 | 132MB | 4 | 22000 |
| 43,9 | 1920 | 2,6 | 33,00 | H122 | 132MB | 4 | 30000 |
| 42,4 | 1989 | 1,6 | 34,20 | H102 | 132MB | 4 | 22000 |
| 41,8 | 1909 | 1,4 | 69,69 | H103 | 132M/132MA | 2 | 22000 |
| 40,1 | 2102 | 2,4 | 36,13 | H122 | 132MB | 4 | 30000 |
| 37,7 | 2237 | 1,3 | 38,45 | H102 | 132MB | 4 | 22000 |
| 36,5 | 2186 | 1,2 | 79,82 | H103 | 132M/132MA | 2 | 22000 |
| 35,1 | 2402 | 1,4 | 41,30 | H102 | 132MB | 4 | 22000 |
| 34,6 | 2305 | 1,1 | 84,16 | H103 | 132M/132MA | 2 | 22000 |
| 32,9 | 2565 | 1,9 | 44,10 | H122 | 132MB | 4 | 30000 |
| 31,7 | 2607 | 1,9 | 45,77 | H123 | 132MB | 4 | 30000 |
| 31,6 | 2665 | 1,2 | 45,82 | H102 | 132MB | 4 | 22000 |
| 31,2 | 2557 | 1,0 | 93,36 | H103 | 132M/132MA | 2 | 22000 |
| 28,1 | 2997 | 1,1 | 51,52 | H102 | 132MB | 4 | 22000 |

9,20 kW

| n2 [rpm] | M2 [Nm] | fs | i | Gear reducer | Motor Size | Pole | Fr2 [N] |
|----------|---------|-----|--------|--------------|------------|------|---------|
| 27,1 | 3049 | 2,6 | 53,53 | H143 | 132MB | 4 | 55000 |
| 26,1 | 3160 | 1,1 | 55,47 | H103 | 132MB | 4 | 22000 |
| 26,0 | 3182 | 1,6 | 55,87 | H123 | 132MB | 4 | 30000 |
| 24,5 | 3373 | 2,4 | 59,22 | H143 | 132MB | 4 | 55000 |
| 23,0 | 3588 | 2,2 | 62,99 | H143 | 132MB | 4 | 55000 |
| 21,5 | 3835 | 1,3 | 67,32 | H123 | 132MB | 4 | 30000 |
| 20,3 | 4064 | 2,0 | 71,35 | H143 | 132MB | 4 | 55000 |
| 19,7 | 4198 | 1,2 | 73,71 | H123 | 132MB | 4 | 30000 |
| 18,3 | 4504 | 1,8 | 79,07 | H143 | 132MB | 4 | 55000 |
| 17,4 | 4747 | 1,1 | 83,34 | H123 | 132MB | 4 | 30000 |
| 16,8 | 4923 | 1,6 | 86,43 | H143 | 132MB | 4 | 55000 |
| 16,1 | 5124 | 1,0 | 89,97 | H123 | 132MB | 4 | 30000 |
| 15,1 | 5480 | 1,5 | 96,21 | H143 | 132MB | 4 | 55000 |
| 13,9 | 5953 | 1,3 | 104,51 | H143 | 132MB | 4 | 55000 |
| 12,5 | 6603 | 1,2 | 115,92 | H143 | 132MB | 4 | 55000 |
| 11,3 | 7317 | 1,1 | 128,47 | H143 | 132MB | 4 | 55000 |
| 10,4 | 7949 | 1,0 | 139,55 | H143 | 132MB | 4 | 55000 |
| 9,4 | 8790 | 0,9 | 154,33 | H143 | 132MB | 4 | 55000 |

11,00 kW

| n2 [rpm] | M2 [Nm] | fs | i | Gear reducer | Motor Size | Pole | Fr2 [N] |
|----------|---------|-----|------|--------------|----------------------|------|---------|
| 2243,1 | 44 | 3,8 | 1,30 | HR081 | 132MB ⁽¹⁾ | 2 | 2211 |
| 2037,0 | 48 | 3,7 | 1,43 | HR081 | 132MB ⁽¹⁾ | 2 | 2276 |
| 1507,0 | 65 | 2,9 | 1,93 | HR081 | 132MB ⁽¹⁾ | 2 | 2489 |
| 1144,9 | 86 | 2,6 | 2,54 | HR081 | 132MB ⁽¹⁾ | 2 | 2694 |
| 1110,0 | 92 | 2,4 | 1,30 | HR081 | 132MC ⁽¹⁾ | 4 | 2711 |
| 1008,0 | 101 | 2,4 | 1,43 | HR081 | 132MC ⁽¹⁾ | 4 | 2786 |
| 895,4 | 110 | 2,2 | 3,25 | HR081 | 132MB ⁽¹⁾ | 2 | 2887 |
| 786,5 | 125 | 3,7 | 3,70 | HR101 | 132MB ⁽¹⁾ | 2 | 3870 |
| 781,8 | 126 | 1,9 | 3,72 | HR081 | 132MB ⁽¹⁾ | 2 | 2996 |
| 750,4 | 137 | 3,4 | 1,29 | HR101 | 160L | 6 | 3916 |
| 745,7 | 137 | 1,8 | 1,93 | HR081 | 132MC ⁽¹⁾ | 4 | 3024 |
| 727,5 | 135 | 1,8 | 4,00 | HR081 | 132MB ⁽¹⁾ | 2 | 3055 |
| 708,6 | 144 | 3,3 | 2,03 | HR101 | 132MC/160MA/160S | 4 | 3985 |
| 689,2 | 143 | 3,2 | 4,22 | HR101 | 132MB ⁽¹⁾ | 2 | 4025 |
| 687,8 | 150 | 3,4 | 1,41 | HR101 | 160L | 6 | 4019 |
| 623,6 | 158 | 1,5 | 4,67 | HR081 | 132MB ⁽¹⁾ | 2 | 3181 |
| 596,9 | 165 | 2,8 | 4,88 | HR101 | 132MB ⁽¹⁾ | 2 | 4200 |
| 580,3 | 176 | 3,3 | 2,48 | HR101 | 132MC/160MA/160S | 4 | 4226 |
| 566,6 | 180 | 1,6 | 2,54 | HR081 | 132MC ⁽¹⁾ | 4 | 3247 |
| 558,1 | 176 | 3,7 | 5,21 | HR121 | 132MB ⁽¹⁾ | 2 | 5494 |

⁽¹⁾ Available only with brake motor (TBS)

11,00 kW

| n2 [rpm] | M2 [Nm] | fs | i | Gear reducer | Motor Size | Pole | Fr2 [N] |
|-------------|------------|-----|------|-----------------|----------------------|------|------------|
| 552,5 | 178 | 2,6 | 5,27 | HR101 | 132MB ⁽¹⁾ | 2 | 4296 |
| 541,4 | 180 | 2,1 | 5,38 | H062 | 132MB ⁽¹⁾ | 2 | 7385 |
| 540,0 | 180 | 2,9 | 5,39 | H082 | 132MB ⁽¹⁾ | 2 | 9422 |
| 525,4 | 187 | 1,3 | 5,54 | HR081 | 132MB ⁽¹⁾ | 2 | 3323 |
| 490,3 | 198 | 2,1 | 5,93 | H062 | 132MB ⁽¹⁾ | 2 | 7556 |
| 489,4 | 199 | 2,6 | 5,95 | H082 | 132MB ⁽¹⁾ | 2 | 9674 |
| 487,4 | 209 | 3,9 | 2,95 | HR121 | 132MC/160S | 4 | 5720 |
| 485,0 | 212 | 3,9 | 2,00 | HR121 | 160L | 6 | 5727 |
| 478,4 | 206 | 1,2 | 6,08 | HR081 | 132MB ⁽¹⁾ | 2 | 3402 |
| 477,3 | 216 | 2,3 | 2,03 | HR101 | 160L | 6 | 4469 |
| 467,0 | 211 | 2,3 | 6,23 | HR101 | 132MB ⁽¹⁾ | 2 | 4510 |
| 465,6 | 211 | 3,2 | 6,25 | HR121 | 132MB ⁽¹⁾ | 2 | 5808 |
| 458,2 | 222 | 3,8 | 3,14 | HR121 | 132MC/160MA/160S | 4 | 5829 |
| 443,1 | 230 | 1,4 | 3,25 | HR081 | 132MC ⁽¹⁾ | 4 | 3448 |
| 440,0 | 232 | 2,6 | 3,27 | HR101 | 132MC/160MA/160S | 4 | 4576 |
| 402,4 | 253 | 3,4 | 3,58 | HR121 | 132MC/160MA/160S | 4 | 6000 |
| 393,5 | 247 | 2,4 | 7,39 | H082 | 132MB ⁽¹⁾ | 2 | 10242 |
| 391,1 | 263 | 3,3 | 2,48 | HR121 | 160L | 6 | 6000 |
| 390,9 | 263 | 2,3 | 2,48 | HR101 | 160L | 6 | 4727 |
| 389,2 | 262 | 2,3 | 3,70 | HR101 | 132MC/160MA/160S | 4 | 4737 |
| 386,9 | 263 | 1,2 | 3,72 | HR081 | 132MC ⁽¹⁾ | 4 | 3558 |
| 385,7 | 255 | 1,9 | 7,55 | HR101 | 132MB ⁽¹⁾ | 2 | 4761 |
| 377,9 | 260 | 2,9 | 7,70 | HR121 | 132MB ⁽¹⁾ | 2 | 6000 |
| 362,8 | 268 | 2,2 | 8,02 | H082 | 132MB ⁽¹⁾ | 2 | 10456 |
| 360,0 | 283 | 1,1 | 4,00 | HR081 | 132MC ⁽¹⁾ | 4 | 3615 |
| 349,7 | 291 | 2,9 | 4,12 | HR121 | 132MC/160MA/160S | 4 | 6000 |
| 346,4 | 284 | 1,7 | 8,40 | HR101 | 132MB ⁽¹⁾ | 2 | 4906 |
| 342,4 | 284 | 1,6 | 8,50 | H062 | 132MB ⁽¹⁾ | 2 | 8152 |
| 341,1 | 299 | 2,0 | 4,22 | HR101 | 132MC/160MA/160S | 4 | 4912 |
| 328,8 | 296 | 2,3 | 8,85 | H082 | 132MB ⁽¹⁾ | 2 | 10715 |
| 328,3 | 313 | 2,7 | 2,95 | HR121 | 160L | 6 | 6000 |
| 310,1 | 314 | 1,4 | 9,39 | H062 | 132MB ⁽¹⁾ | 2 | 8306 |
| 308,6 | 330 | 1,0 | 4,67 | HR081 | 132MC ⁽¹⁾ | 4 | 3735 |
| 308,6 | 333 | 2,6 | 3,14 | HR121 | 160L | 6 | 6000 |
| 300,0 | 340 | 2,6 | 4,80 | HR121 | 132MC/160MA/160S | 4 | 6000 |
| 296,4 | 347 | 1,8 | 3,27 | HR101 | 160L | 6 | 5000 |
| 295,4 | 345 | 1,8 | 4,88 | HR101 | 132MC/160MA/160S | 4 | 5000 |
| 276,2 | 369 | 2,4 | 5,21 | HR121 | 132MC/160MA/160S | 4 | 6000 |
| 273,4 | 373 | 1,7 | 5,27 | HR101 | 132MC/160MA/160S | 4 | 5000 |
| 271,0 | 380 | 2,4 | 3,58 | HR121 | 160L | 6 | 6000 |
| 267,9 | 376 | 1,3 | 5,38 | H062 | 132MC ⁽¹⁾ | 4 | 8442 |
| 267,2 | 377 | 1,9 | 5,39 | H082 | 132MC/160MA/160S | 4 | 11197 |

⁽¹⁾ Available only with brake motor (TBS)

11,00 kW

| n ₂ [rpm] | M ₂ [Nm] | f _s | i | Gear reducer | Motor | | Fr ₂ [N] |
|-------------------------|------------------------|----------------|-------|-----------------|----------------------|------|------------------------|
| | | | | | Size | Pole | |
| 264,4 | 368 | 2,2 | 11,01 | H082 | 132MB ⁽¹⁾ | 2 | 11285 |
| 262,2 | 393 | 1,6 | 3,70 | HR101 | 160L | 6 | 5000 |
| 242,6 | 416 | 1,3 | 5,93 | H062 | 132MC ⁽¹⁾ | 4 | 8567 |
| 242,2 | 416 | 1,7 | 5,95 | H082 | 132MC/160MA/160S | 4 | 11445 |
| 235,6 | 437 | 2,0 | 4,12 | HR121 | 160L | 6 | 6000 |
| 231,1 | 441 | 1,5 | 6,23 | HR101 | 132MC/160MA/160S | 4 | 5000 |
| 230,4 | 442 | 2,0 | 6,25 | HR121 | 132MC/160MA/160S | 4 | 6000 |
| 229,7 | 448 | 1,4 | 4,22 | HR101 | 160L | 6 | 5000 |
| 215,6 | 451 | 2,3 | 13,50 | H082 | 132MB ⁽¹⁾ | 2 | 11808 |
| 202,1 | 509 | 1,8 | 4,80 | HR121 | 160L | 6 | 6000 |
| 199,0 | 517 | 1,3 | 4,88 | HR101 | 160L | 6 | 5000 |
| 195,4 | 498 | 2,3 | 14,90 | H082 | 132MB ⁽¹⁾ | 2 | 12052 |
| 194,8 | 518 | 1,1 | 7,39 | H062 | 132MC ⁽¹⁾ | 4 | 8798 |
| 194,7 | 518 | 1,5 | 7,39 | H082 | 132MC/160MA/160S | 4 | 11977 |
| 190,8 | 534 | 1,2 | 7,55 | HR101 | 132MC/160MA/160S | 4 | 5000 |
| 187,0 | 545 | 1,8 | 7,70 | HR121 | 132MC/160MA/160S | 4 | 6000 |
| 186,0 | 553 | 1,7 | 5,21 | HR121 | 160L | 6 | 6000 |
| 184,3 | 553 | 3,4 | 5,26 | H102 | 160L | 6 | 17463 |
| 184,2 | 559 | 1,2 | 5,27 | HR101 | 160L | 6 | 5000 |
| 180,0 | 566 | 1,3 | 5,39 | H082 | 160L | 6 | 12135 |
| 179,5 | 562 | 1,4 | 8,02 | H082 | 132MC/160MA/160S | 4 | 12167 |
| 175,1 | 556 | 2,0 | 16,62 | H082 | 132MB ⁽¹⁾ | 2 | 12315 |
| 171,4 | 594 | 1,1 | 8,40 | HR101 | 132MC/160MA/160S | 4 | 5000 |
| 169,4 | 595 | 1,0 | 8,50 | H062 | 132MC ⁽¹⁾ | 4 | 8904 |
| 163,1 | 624 | 1,2 | 5,95 | H082 | 160L | 6 | 12353 |
| 162,7 | 620 | 1,5 | 8,85 | H082 | 132MC/160MA/160S | 4 | 12387 |
| 157,1 | 620 | 1,8 | 18,53 | H082 | 132MB ⁽¹⁾ | 2 | 12566 |
| 155,7 | 661 | 1,0 | 6,23 | HR101 | 160L | 6 | 5000 |
| 155,2 | 663 | 1,4 | 6,25 | HR121 | 160L | 6 | 6000 |
| 153,4 | 657 | 0,9 | 9,39 | H062 | 132MC ⁽¹⁾ | 4 | 8953 |
| 152,6 | 667 | 3,1 | 6,36 | H102 | 160L | 6 | 18285 |
| 150,1 | 648 | 1,9 | 19,38 | H082 | 132MB ⁽¹⁾ | 2 | 12667 |
| 146,6 | 664 | 3,6 | 19,85 | H102 | 132MB ⁽¹⁾ | 2 | 18576 |
| 137,6 | 740 | 3,3 | 7,05 | H102 | 160L | 6 | 18733 |
| 136,1 | 715 | 1,7 | 21,39 | H082 | 132MB ⁽¹⁾ | 2 | 12876 |
| 135,7 | 717 | 3,3 | 21,44 | H102 | 132MB ⁽¹⁾ | 2 | 18918 |
| 131,2 | 776 | 1,1 | 7,39 | H082 | 160L | 6 | 12792 |
| 130,8 | 771 | 1,4 | 11,01 | H082 | 132MC/160MA/160S | 4 | 12832 |
| 129,9 | 776 | 3,9 | 11,09 | H102 | 132MC/160MA/160S | 4 | 19008 |
| 127,6 | 762 | 1,6 | 22,80 | H082 | 132MB ⁽¹⁾ | 2 | 13005 |
| 126,0 | 817 | 1,3 | 7,70 | HR121 | 160L | 6 | 6000 |
| 121,4 | 802 | 3,1 | 23,97 | H102 | 132MB ⁽¹⁾ | 2 | 19408 |

⁽¹⁾ Available only with brake motor (TBS)

11,00 kW

| n ₂ [rpm] | M ₂ [Nm] | f _s | i | Gear reducer | Motor | | Fr ₂ [N] |
|-------------------------|------------------------|----------------|-------|-----------------|----------------------|------|------------------------|
| | | | | | Size | Pole | |
| 120,9 | 842 | 1,0 | 8,02 | H082 | 160L | 6 | 12936 |
| 117,2 | 869 | 3,0 | 8,27 | H102 | 160L | 6 | 19414 |
| 112,4 | 866 | 2,9 | 25,89 | H102 | 132MB ⁽¹⁾ | 2 | 19744 |
| 109,6 | 929 | 1,0 | 8,85 | H082 | 160L | 6 | 13092 |
| 109,4 | 890 | 1,3 | 26,60 | H082 | 132MB ⁽¹⁾ | 2 | 13284 |
| 108,1 | 933 | 3,3 | 13,32 | H102 | 132MC/160MA/160S | 4 | 19788 |
| 106,7 | 945 | 1,5 | 13,50 | H082 | 132MC/160MA/160S | 4 | 13174 |
| 104,4 | 932 | 1,3 | 27,88 | H082 | 132MB ⁽¹⁾ | 2 | 13360 |
| 101,3 | 961 | 2,6 | 28,73 | H102 | 132MB ⁽¹⁾ | 2 | 20187 |
| 97,1 | 1049 | 2,8 | 9,99 | H102 | 160L | 6 | 20189 |
| 96,7 | 1043 | 1,4 | 14,90 | H082 | 132MC/160MA/160S | 4 | 13304 |
| 94,7 | 1027 | 2,3 | 30,72 | H102 | 132MB ⁽¹⁾ | 2 | 20468 |
| 93,8 | 1086 | 3,9 | 10,35 | H122 | 160L | 6 | 30000 |
| 93,4 | 1042 | 1,2 | 31,15 | H082 | 132MB ⁽¹⁾ | 2 | 13516 |
| 89,5 | 1127 | 2,8 | 16,09 | H102 | 132MC/160MA/160S | 4 | 20552 |
| 88,1 | 1156 | 1,0 | 11,01 | H082 | 160L | 6 | 13350 |
| 87,5 | 1164 | 2,7 | 11,09 | H102 | 160L | 6 | 20596 |
| 86,7 | 1164 | 1,3 | 16,62 | H082 | 132MC/160MA/160S | 4 | 13417 |
| 85,1 | 1144 | 2,1 | 34,20 | H102 | 132MB ⁽¹⁾ | 2 | 20905 |
| 84,7 | 1150 | 1,0 | 34,38 | H082 | 132MB ⁽¹⁾ | 2 | 13627 |
| 80,7 | 1250 | 2,6 | 17,85 | H102 | 132MC/160MA/160S | 4 | 20950 |
| 77,7 | 1297 | 1,2 | 18,53 | H082 | 132MC/160MA/160S | 4 | 13490 |
| 76,6 | 1330 | 3,5 | 12,66 | H122 | 160L | 6 | 30000 |
| 75,7 | 1286 | 1,6 | 38,45 | H102 | 132MB ⁽¹⁾ | 2 | 21361 |
| 74,5 | 1353 | 3,7 | 19,32 | H122 | 132MC/160MA/160S | 4 | 30000 |
| 74,3 | 1358 | 1,2 | 19,38 | H082 | 132MC/160MA/160S | 4 | 13508 |
| 72,8 | 1399 | 2,3 | 13,32 | H102 | 160L | 6 | 21270 |
| 72,6 | 1390 | 2,3 | 19,85 | H102 | 132MC/160MA/160S | 4 | 21334 |
| 71,9 | 1418 | 1,0 | 13,50 | H082 | 160L | 6 | 13451 |
| 70,5 | 1381 | 1,8 | 41,30 | H102 | 132MB ⁽¹⁾ | 2 | 21626 |
| 70,0 | 1456 | 3,3 | 13,86 | H122 | 160L | 6 | 30000 |
| 70,0 | 1441 | 3,5 | 20,57 | H122 | 132MC/160MA/160S | 4 | 30000 |
| 67,3 | 1498 | 1,1 | 21,39 | H082 | 132MC/160MA/160S | 4 | 13517 |
| 67,2 | 1502 | 2,1 | 21,44 | H102 | 132MC/160MA/160S | 4 | 21598 |
| 65,1 | 1564 | 1,0 | 14,90 | H082 | 160L | 6 | 13439 |
| 63,9 | 1577 | 3,2 | 22,52 | H122 | 132MC/160MA/160S | 4 | 30000 |
| 63,5 | 1532 | 1,6 | 45,82 | H102 | 132MB ⁽¹⁾ | 2 | 21989 |
| 63,2 | 1597 | 1,0 | 22,80 | H082 | 132MC/160MA/160S | 4 | 13499 |
| 60,3 | 1690 | 2,0 | 16,09 | H102 | 160L | 6 | 21876 |
| 60,1 | 1679 | 2,0 | 23,97 | H102 | 132MC/160MA/160S | 4 | 21949 |
| 58,9 | 1714 | 2,9 | 24,47 | H122 | 132MC/160MA/160S | 4 | 30000 |
| 58,4 | 1745 | 0,9 | 16,62 | H082 | 160L | 6 | 13369 |

⁽¹⁾ Available only with brake motor (TBS)

11,00 kW

| n2 [rpm] | M2 [Nm] | fs | i | Gear reducer | Motor Size | Pole | Fr2 [N] |
|-------------|------------|-----|-------|-----------------|----------------------|------|------------|
| 57,3 | 1777 | 2,8 | 16,92 | H122 | 160L | 6 | 30000 |
| 56,5 | 1723 | 1,4 | 51,52 | H102 | 132MB ⁽¹⁾ | 2 | 22000 |
| 55,6 | 1813 | 1,8 | 25,89 | H102 | 132MC/160MA/160S | 4 | 22000 |
| 54,3 | 1874 | 1,8 | 17,85 | H102 | 160L | 6 | 22000 |
| 52,5 | 1817 | 1,4 | 55,47 | H103 | 132MB ⁽¹⁾ | 2 | 22000 |
| 52,4 | 1925 | 2,6 | 27,49 | H122 | 132MC/160MA/160S | 4 | 30000 |
| 50,2 | 2029 | 2,6 | 19,32 | H122 | 160L | 6 | 30000 |
| 50,1 | 2012 | 1,6 | 28,73 | H102 | 132MC/160MA/160S | 4 | 22000 |
| 48,9 | 2084 | 1,6 | 19,85 | H102 | 160L | 6 | 22000 |
| 48,4 | 2105 | 4,0 | 20,04 | H142 | 160L | 6 | 51787 |
| 48,2 | 2091 | 2,4 | 29,86 | H122 | 132MC/160MA/160S | 4 | 30000 |
| 47,2 | 2160 | 2,4 | 20,57 | H122 | 160L | 6 | 30000 |
| 46,9 | 2151 | 1,5 | 30,72 | H102 | 132MC/160MA/160S | 4 | 22000 |
| 45,2 | 2252 | 1,5 | 21,44 | H102 | 160L | 6 | 22000 |
| 44,7 | 2258 | 3,5 | 32,24 | H142 | 160MA/160S | 4 | 52888 |
| 43,6 | 2311 | 2,2 | 33,00 | H122 | 132MC/160MA/160S | 4 | 30000 |
| 43,1 | 2365 | 2,2 | 22,52 | H122 | 160L | 6 | 30000 |
| 42,1 | 2395 | 1,3 | 34,20 | H102 | 132MC/160MA/160S | 4 | 22000 |
| 41,8 | 2282 | 1,2 | 69,69 | H103 | 132MB ⁽¹⁾ | 2 | 22000 |
| 40,5 | 2517 | 1,4 | 23,97 | H102 | 160L | 6 | 22000 |
| 40,2 | 2536 | 3,3 | 24,15 | H142 | 160L | 6 | 54182 |
| 39,9 | 2530 | 2,0 | 36,13 | H122 | 132MC/160MA/160S | 4 | 30000 |
| 39,6 | 2569 | 2,0 | 24,47 | H122 | 160L | 6 | 30000 |
| 37,5 | 2719 | 1,3 | 25,89 | H102 | 160L | 6 | 22000 |
| 37,4 | 2693 | 1,0 | 38,45 | H102 | 132MC ⁽¹⁾ | 4 | 22000 |
| 37,1 | 2721 | 2,9 | 38,85 | H142 | 160MA/160S | 4 | 55000 |
| 36,5 | 2614 | 1,0 | 79,82 | H103 | 132MB ⁽¹⁾ | 2 | 22000 |
| 36,2 | 2810 | 3,0 | 26,76 | H142 | 160L | 6 | 55000 |
| 35,3 | 2887 | 1,8 | 27,49 | H122 | 160L | 6 | 30000 |
| 34,9 | 2892 | 1,1 | 41,30 | H102 | 132MC/160MA/160S | 4 | 22000 |
| 33,8 | 3017 | 1,1 | 28,73 | H102 | 160L | 6 | 22000 |
| 33,4 | 3015 | 2,7 | 43,05 | H142 | 160MA/160S | 4 | 55000 |
| 32,7 | 3088 | 1,6 | 44,10 | H122 | 132MC/160MA/160S | 4 | 30000 |
| 32,5 | 3136 | 1,7 | 29,86 | H122 | 160L | 6 | 30000 |
| 31,6 | 3226 | 1,0 | 30,72 | H102 | 160L | 6 | 22000 |
| 31,5 | 3139 | 1,6 | 45,77 | H123 | 132MC/160MA/160S | 4 | 30000 |
| 31,4 | 3209 | 1,0 | 45,82 | H102 | 132MC/160MA/160S | 4 | 22000 |
| 30,1 | 3386 | 2,5 | 32,24 | H142 | 160L | 6 | 55000 |
| 29,8 | 3315 | 2,4 | 48,35 | H143 | 160MA/160S | 4 | 55000 |
| 29,4 | 3465 | 1,5 | 33,00 | H122 | 160L | 6 | 30000 |
| 28,4 | 3591 | 0,9 | 34,20 | H102 | 160L | 6 | 22000 |
| 28,0 | 3608 | 0,9 | 51,52 | H102 | 132MC ⁽¹⁾ | 4 | 22000 |

⁽¹⁾ Available only with brake motor (TBS)

11,00 kW

| n2 [rpm] | M2 [Nm] | fs | i | Gear reducer | Motor Size | Pole | Fr2 [N] |
|----------|---------|-----|--------|--------------|------------------|------|---------|
| 26,9 | 3671 | 2,2 | 53,53 | H143 | 132MC/160MA/160S | 4 | 55000 |
| 26,8 | 3794 | 1,4 | 36,13 | H122 | 160L | 6 | 30000 |
| 26,0 | 3804 | 0,9 | 55,47 | H103 | 132MC/160MA/160S | 4 | 22000 |
| 25,8 | 3831 | 1,3 | 55,87 | H123 | 132MC/160MA/160S | 4 | 30000 |
| 25,0 | 4080 | 2,1 | 38,85 | H142 | 160L | 6 | 55000 |
| 24,3 | 4061 | 2,0 | 59,22 | H143 | 132MC/160MA/160S | 4 | 55000 |
| 22,9 | 4320 | 1,9 | 62,99 | H143 | 132MC/160MA/160S | 4 | 55000 |
| 22,5 | 4521 | 1,9 | 43,05 | H142 | 160L | 6 | 55000 |
| 22,0 | 4631 | 1,1 | 44,10 | H122 | 160L | 6 | 30000 |
| 21,4 | 4617 | 1,1 | 67,32 | H123 | 132MC/160MA/160S | 4 | 30000 |
| 21,2 | 4706 | 1,1 | 45,77 | H123 | 160L | 6 | 30000 |
| 20,2 | 4893 | 1,6 | 71,35 | H143 | 132MC/160MA/160S | 4 | 55000 |
| 20,1 | 4971 | 1,7 | 48,35 | H143 | 160L | 6 | 55000 |
| 19,5 | 5055 | 1,0 | 73,71 | H123 | 132MC/160MA/160S | 4 | 30000 |
| 18,2 | 5422 | 1,5 | 79,07 | H143 | 132MC/160MA/160S | 4 | 55000 |
| 18,1 | 5504 | 1,5 | 53,53 | H143 | 160L | 6 | 55000 |
| 17,4 | 5744 | 0,9 | 55,87 | H123 | 160L | 6 | 30000 |
| 16,7 | 5927 | 1,3 | 86,43 | H143 | 132MC/160MA/160S | 4 | 55000 |
| 16,4 | 6089 | 1,4 | 59,22 | H143 | 160L | 6 | 55000 |
| 15,4 | 6477 | 1,3 | 62,99 | H143 | 160L | 6 | 55000 |
| 15,0 | 6597 | 1,2 | 96,21 | H143 | 132MC/160MA/160S | 4 | 55000 |
| 13,8 | 7167 | 1,1 | 104,51 | H143 | 132MC/160MA/160S | 4 | 55000 |
| 13,6 | 7336 | 1,1 | 71,35 | H143 | 160L | 6 | 55000 |
| 12,4 | 7949 | 1,0 | 115,92 | H143 | 132MC/160MA/160S | 4 | 55000 |
| 12,3 | 8130 | 1,0 | 79,07 | H143 | 160L | 6 | 55000 |
| 11,2 | 8887 | 0,9 | 86,43 | H143 | 160L | 6 | 55000 |
| 11,2 | 8809 | 0,9 | 128,47 | H143 | 132MC/160MA/160S | 4 | 55000 |

15,00 kW

| n2 [rpm] | M2 [Nm] | fs | i | Gear reducer | Motor Size | Pole | Fr2 [N] |
|----------|---------|-----|------|--------------|---------------------|------|---------|
| 1141,0 | 122 | 3,6 | 1,29 | HR101 | 160LA | 4 | 3407 |
| 1045,9 | 133 | 3,6 | 1,41 | HR101 | 160LA | 4 | 3496 |
| 758,1 | 185 | 2,5 | 1,29 | HR101 | 180L ⁽²⁾ | 6 | 3836 |
| 725,8 | 191 | 2,5 | 2,03 | HR101 | 160LA | 4 | 3886 |
| 694,9 | 202 | 2,5 | 1,41 | HR101 | 180L ⁽²⁾ | 6 | 3932 |
| 691,8 | 203 | 3,8 | 1,42 | HR121 | 180L ⁽²⁾ | 6 | 5079 |
| 594,8 | 234 | 3,5 | 2,48 | HR121 | 160LA | 4 | 5318 |
| 594,4 | 234 | 2,5 | 2,48 | HR101 | 160LA | 4 | 4110 |
| 542,5 | 259 | 3,0 | 1,81 | HR121 | 180L ⁽²⁾ | 6 | 5464 |
| 499,2 | 278 | 2,9 | 2,95 | HR121 | 160LA | 4 | 5604 |
| 490,0 | 286 | 2,9 | 2,00 | HR121 | 180L ⁽²⁾ | 6 | 5632 |

⁽²⁾ With TBS brake motor, please contact our Technical Sales Support

15,00 kW

| n2 [rpm] | M2 [Nm] | fs | i | Gear reducer | Motor Size | Pole | Fr2 [N] |
|-------------|------------|-----|------|-----------------|---------------------|------|------------|
| 482,2 | 291 | 1,7 | 2,03 | HR101 | 180L ⁽²⁾ | 6 | 4348 |
| 469,3 | 296 | 2,8 | 3,14 | HR121 | 160LA | 4 | 5707 |
| 450,7 | 308 | 2,0 | 3,27 | HR101 | 160LA | 4 | 4431 |
| 412,1 | 337 | 2,5 | 3,58 | HR121 | 160LA | 4 | 5929 |
| 398,6 | 349 | 1,8 | 3,70 | HR101 | 160LA | 4 | 4576 |
| 395,2 | 355 | 2,4 | 2,48 | HR121 | 180L ⁽²⁾ | 6 | 5998 |
| 394,9 | 355 | 1,7 | 2,48 | HR101 | 180L ⁽²⁾ | 6 | 4582 |
| 358,2 | 388 | 2,2 | 4,12 | HR121 | 160LA | 4 | 6000 |
| 349,3 | 398 | 1,5 | 4,22 | HR101 | 160LA | 4 | 4733 |
| 331,7 | 423 | 2,0 | 2,95 | HR121 | 180L ⁽²⁾ | 6 | 6000 |
| 311,8 | 450 | 2,0 | 3,14 | HR121 | 180L ⁽²⁾ | 6 | 6000 |
| 307,3 | 452 | 1,9 | 4,80 | HR121 | 160LA | 4 | 6000 |
| 302,6 | 459 | 1,4 | 4,88 | HR101 | 160LA | 4 | 4904 |
| 299,4 | 469 | 1,4 | 3,27 | HR101 | 180L ⁽²⁾ | 6 | 4910 |
| 282,9 | 491 | 1,8 | 5,21 | HR121 | 160LA | 4 | 6000 |
| 280,3 | 491 | 3,7 | 5,26 | H102 | 160LA | 4 | 15172 |
| 280,1 | 496 | 1,2 | 5,27 | HR101 | 160LA | 4 | 4996 |
| 273,8 | 513 | 1,7 | 3,58 | HR121 | 180L ⁽²⁾ | 6 | 6000 |
| 273,7 | 502 | 1,4 | 5,39 | H082 | 160LA | 4 | 10523 |
| 264,9 | 530 | 1,2 | 3,70 | HR101 | 180L ⁽²⁾ | 6 | 5000 |
| 248,1 | 554 | 1,3 | 5,95 | H082 | 160LA | 4 | 10709 |
| 238,0 | 590 | 1,5 | 4,12 | HR121 | 180L ⁽²⁾ | 6 | 6000 |
| 236,7 | 587 | 1,1 | 6,23 | HR101 | 160LA | 4 | 5000 |
| 236,0 | 589 | 1,5 | 6,25 | HR121 | 160LA | 4 | 6000 |
| 232,1 | 593 | 3,4 | 6,36 | H102 | 160LA | 4 | 15880 |
| 232,1 | 605 | 1,1 | 4,22 | HR101 | 180L ⁽²⁾ | 6 | 5000 |
| 209,2 | 657 | 3,5 | 7,05 | H102 | 160LA | 4 | 16266 |
| 204,2 | 687 | 1,3 | 4,80 | HR121 | 180L ⁽²⁾ | 6 | 6000 |
| 201,0 | 698 | 0,9 | 4,88 | HR101 | 180L ⁽²⁾ | 6 | 5000 |
| 199,5 | 689 | 1,2 | 7,39 | H082 | 160LA | 4 | 11079 |
| 195,5 | 711 | 0,9 | 7,55 | HR101 | 160LA | 4 | 5000 |
| 191,6 | 725 | 1,4 | 7,70 | HR121 | 160LA | 4 | 6000 |
| 187,9 | 747 | 1,2 | 5,21 | HR121 | 180L ⁽²⁾ | 6 | 6000 |
| 186,2 | 746 | 2,5 | 5,26 | H102 | 180L ⁽²⁾ | 6 | 16664 |
| 183,9 | 748 | 1,1 | 8,02 | H082 | 160LA | 4 | 11199 |
| 178,3 | 771 | 3,2 | 8,27 | H102 | 160LA | 4 | 16850 |
| 166,7 | 825 | 1,1 | 8,85 | H082 | 160LA | 4 | 11328 |
| 156,8 | 895 | 1,1 | 6,25 | HR121 | 180L ⁽²⁾ | 6 | 6000 |
| 154,2 | 901 | 2,3 | 6,36 | H102 | 180L ⁽²⁾ | 6 | 17329 |
| 147,6 | 932 | 3,0 | 9,99 | H102 | 160LA | 4 | 17513 |
| 139,0 | 999 | 2,4 | 7,05 | H102 | 180L ⁽²⁾ | 6 | 17679 |
| 139,0 | 999 | 3,8 | 7,05 | H122 | 180L ⁽²⁾ | 6 | 27584 |

⁽²⁾ With TBS brake motor, please contact our Technical Sales Support

15,00 kW

| n2 [rpm] | M2 [Nm] | fs | i | Gear reducer | Size | Motor Pole | Fr2 [N] |
|-------------|------------|-----|-------|-----------------|---------------------|---------------|------------|
| 134,0 | 1026 | 1,1 | 11,01 | H082 | 160LA | 4 | 11535 |
| 133,1 | 1034 | 2,9 | 11,09 | H102 | 160LA | 4 | 17860 |
| 127,3 | 1103 | 1,0 | 7,70 | HR121 | 180L ⁽²⁾ | 6 | 6000 |
| 126,6 | 1097 | 3,5 | 7,74 | H122 | 180L ⁽²⁾ | 6 | 28236 |
| 118,4 | 1173 | 2,2 | 8,27 | H102 | 180L ⁽²⁾ | 6 | 18185 |
| 116,5 | 1181 | 3,7 | 12,66 | H122 | 160LA | 4 | 28851 |
| 115,6 | 1201 | 3,3 | 8,48 | H122 | 180L ⁽²⁾ | 6 | 28865 |
| 110,7 | 1242 | 2,5 | 13,32 | H102 | 160LA | 4 | 18432 |
| 109,3 | 1259 | 1,1 | 13,50 | H082 | 160LA | 4 | 11603 |
| 106,4 | 1293 | 3,6 | 13,86 | H122 | 160LA | 4 | 29482 |
| 99,0 | 1389 | 1,1 | 14,90 | H082 | 160LA | 4 | 11581 |
| 98,1 | 1416 | 2,1 | 9,99 | H102 | 180L ⁽²⁾ | 6 | 18716 |
| 94,7 | 1466 | 2,9 | 10,35 | H122 | 180L ⁽²⁾ | 6 | 30000 |
| 91,7 | 1500 | 2,1 | 16,09 | H102 | 160LA | 4 | 18941 |
| 88,8 | 1549 | 1,0 | 16,62 | H082 | 160LA | 4 | 11506 |
| 88,4 | 1571 | 2,0 | 11,09 | H102 | 180L ⁽²⁾ | 6 | 18968 |
| 87,2 | 1578 | 3,0 | 16,92 | H122 | 160LA | 4 | 30000 |
| 82,6 | 1664 | 1,9 | 17,85 | H102 | 160LA | 4 | 19177 |
| 77,4 | 1795 | 2,6 | 12,66 | H122 | 180L ⁽²⁾ | 6 | 30000 |
| 76,3 | 1801 | 2,8 | 19,32 | H122 | 160LA | 4 | 30000 |
| 74,3 | 1851 | 1,7 | 19,85 | H102 | 160LA | 4 | 19379 |
| 73,5 | 1889 | 1,7 | 13,32 | H102 | 180L ⁽²⁾ | 6 | 19325 |
| 71,7 | 1918 | 2,6 | 20,57 | H122 | 160LA | 4 | 30000 |
| 70,7 | 1965 | 2,5 | 13,86 | H122 | 180L ⁽²⁾ | 6 | 30000 |
| 68,8 | 1999 | 1,6 | 21,44 | H102 | 160LA | 4 | 19497 |
| 65,5 | 2100 | 2,4 | 22,52 | H122 | 160LA | 4 | 30000 |
| 62,2 | 2232 | 3,7 | 15,75 | H142 | 180L ⁽²⁾ | 6 | 46783 |
| 61,5 | 2235 | 1,5 | 23,97 | H102 | 160LA | 4 | 19617 |
| 61,1 | 2252 | 3,6 | 24,15 | H142 | 160LA | 4 | 47054 |
| 60,9 | 2281 | 1,5 | 16,09 | H102 | 180L ⁽²⁾ | 6 | 19540 |
| 60,3 | 2281 | 2,2 | 24,47 | H122 | 160LA | 4 | 30000 |
| 57,9 | 2398 | 2,1 | 16,92 | H122 | 180L ⁽²⁾ | 6 | 30000 |
| 57,0 | 2414 | 1,4 | 25,89 | H102 | 160LA | 4 | 19662 |
| 56,1 | 2474 | 3,4 | 17,45 | H142 | 180L ⁽²⁾ | 6 | 47904 |
| 55,1 | 2495 | 3,2 | 26,76 | H142 | 160LA | 4 | 48180 |
| 54,9 | 2530 | 1,3 | 17,85 | H102 | 180L ⁽²⁾ | 6 | 19576 |
| 53,7 | 2563 | 2,0 | 27,49 | H122 | 160LA | 4 | 30000 |
| 51,3 | 2678 | 1,2 | 28,73 | H102 | 160LA | 4 | 19665 |
| 50,7 | 2738 | 1,9 | 19,32 | H122 | 180L ⁽²⁾ | 6 | 30000 |
| 49,4 | 2813 | 1,2 | 19,85 | H102 | 180L ⁽²⁾ | 6 | 19542 |
| 49,4 | 2784 | 1,8 | 29,86 | H122 | 160LA | 4 | 30000 |
| 48,9 | 2841 | 3,0 | 20,04 | H142 | 180L ⁽²⁾ | 6 | 49389 |

(2) With TBS brake motor, please contact our Technical Sales Support

15,00 kW

| n2 [rpm] | M2 [Nm] | fs | i | Gear reducer | Motor Size | Pole | Fr2 [N] |
|-------------|------------|-----|-------|-----------------|---------------------|------|------------|
| 48,0 | 2864 | 1,1 | 30,72 | H102 | 160LA | 4 | 19628 |
| 47,6 | 2916 | 1,8 | 20,57 | H122 | 180L ⁽²⁾ | 6 | 30000 |
| 45,7 | 3039 | 1,1 | 21,44 | H102 | 180L ⁽²⁾ | 6 | 19466 |
| 45,7 | 3006 | 2,7 | 32,24 | H142 | 160LA | 4 | 50180 |
| 44,7 | 3077 | 1,6 | 33,00 | H122 | 160LA | 4 | 30000 |
| 43,5 | 3192 | 1,6 | 22,52 | H122 | 180L ⁽²⁾ | 6 | 30000 |
| 43,1 | 3189 | 1,0 | 34,20 | H102 | 160LA | 4 | 19497 |
| 40,9 | 3397 | 1,0 | 23,97 | H102 | 180L ⁽²⁾ | 6 | 19268 |
| 40,8 | 3369 | 1,5 | 36,13 | H122 | 160LA | 4 | 30000 |
| 40,6 | 3423 | 2,5 | 24,15 | H142 | 180L ⁽²⁾ | 6 | 51320 |
| 40,1 | 3468 | 1,5 | 24,47 | H122 | 180L ⁽²⁾ | 6 | 30000 |
| 38,0 | 3622 | 2,2 | 38,85 | H142 | 160LA | 4 | 52091 |
| 37,8 | 3670 | 0,9 | 25,89 | H102 | 180L ⁽²⁾ | 6 | 19064 |
| 36,6 | 3793 | 2,2 | 26,76 | H142 | 180L ⁽²⁾ | 6 | 52335 |
| 35,6 | 3896 | 1,3 | 27,49 | H122 | 180L ⁽²⁾ | 6 | 30000 |
| 34,3 | 4014 | 2,0 | 43,05 | H142 | 160LA | 4 | 53089 |
| 33,4 | 4112 | 1,2 | 44,10 | H122 | 160LA | 4 | 30000 |
| 32,8 | 4233 | 1,2 | 29,86 | H122 | 180L ⁽²⁾ | 6 | 30000 |
| 32,2 | 4179 | 1,2 | 45,77 | H123 | 160LA | 4 | 30000 |
| 30,5 | 4414 | 1,8 | 48,35 | H143 | 160LA | 4 | 54432 |
| 30,4 | 4570 | 1,8 | 32,24 | H142 | 180L ⁽²⁾ | 6 | 54049 |
| 29,7 | 4677 | 1,1 | 33,00 | H122 | 180L ⁽²⁾ | 6 | 30000 |
| 27,6 | 4887 | 1,6 | 53,53 | H143 | 160LA | 4 | 55000 |
| 27,1 | 5121 | 1,0 | 36,13 | H122 | 180L ⁽²⁾ | 6 | 30000 |
| 26,4 | 5100 | 1,0 | 55,87 | H123 | 160LA | 4 | 30000 |
| 25,2 | 5506 | 1,5 | 38,85 | H142 | 180L ⁽²⁾ | 6 | 55000 |
| 24,9 | 5406 | 1,5 | 59,22 | H143 | 160LA | 4 | 55000 |
| 23,4 | 5751 | 1,4 | 62,99 | H143 | 160LA | 4 | 55000 |
| 22,8 | 6102 | 1,4 | 43,05 | H142 | 180L ⁽²⁾ | 6 | 55000 |
| 20,7 | 6514 | 1,2 | 71,35 | H143 | 160LA | 4 | 55000 |
| 20,3 | 6709 | 1,3 | 48,35 | H143 | 180L ⁽²⁾ | 6 | 55000 |
| 18,7 | 7219 | 1,1 | 79,07 | H143 | 160LA | 4 | 55000 |
| 18,3 | 7428 | 1,1 | 53,53 | H143 | 180L ⁽²⁾ | 6 | 55000 |
| 17,1 | 7890 | 1,0 | 86,43 | H143 | 160LA | 4 | 55000 |
| 16,5 | 8218 | 1,0 | 59,22 | H143 | 180L ⁽²⁾ | 6 | 55000 |
| 15,6 | 8742 | 1,0 | 62,99 | H143 | 180L ⁽²⁾ | 6 | 55000 |
| 15,3 | 8783 | 0,9 | 96,21 | H143 | 160LA | 4 | 55000 |

18,50 kW

| n2 [rpm] | M2 [Nm] | fs | i | Gear reducer | Motor Size | Pole | Fr2 [N] |
|-------------|------------|-----|------|-----------------|---------------------|------|------------|
| 1137,2 | 151 | 2,9 | 1,29 | HR101 | 180M ⁽²⁾ | 4 | 3371 |

⁽²⁾ With TBS brake motor, please contact our Technical Sales Support

18,50 kW

| n2 [rpm] | M2 [Nm] | fs | i | Gear reducer | Motor | | Fr2 [N] |
|-------------|------------|-----|-------|-----------------|----------------------|------|------------|
| | | | | | Size | Pole | |
| 1042,4 | 164 | 2,9 | 1,41 | HR101 | 180M ⁽²⁾ | 4 | 3456 |
| 813,8 | 211 | 3,5 | 1,81 | HR121 | 180M ⁽²⁾ | 4 | 4796 |
| 796,3 | 217 | 3,3 | 1,23 | HR121 | 200LA ⁽²⁾ | 6 | 4825 |
| 735,0 | 233 | 3,3 | 2,00 | HR121 | 180M ⁽²⁾ | 4 | 4944 |
| 723,3 | 237 | 2,0 | 2,03 | HR101 | 180M ⁽²⁾ | 4 | 3828 |
| 691,8 | 250 | 3,1 | 1,42 | HR121 | 200LA ⁽²⁾ | 6 | 5031 |
| 592,7 | 289 | 2,8 | 2,48 | HR121 | 180M ⁽²⁾ | 4 | 5269 |
| 592,4 | 289 | 2,0 | 2,48 | HR101 | 180M ⁽²⁾ | 4 | 4038 |
| 542,5 | 319 | 2,4 | 1,81 | HR121 | 200LA ⁽²⁾ | 6 | 5403 |
| 497,5 | 344 | 2,4 | 2,95 | HR121 | 180M ⁽²⁾ | 4 | 5544 |
| 490,0 | 353 | 2,3 | 2,00 | HR121 | 200LA ⁽²⁾ | 6 | 5565 |
| 467,7 | 366 | 2,3 | 3,14 | HR121 | 180M ⁽²⁾ | 4 | 5643 |
| 449,2 | 382 | 1,6 | 3,27 | HR101 | 180M ⁽²⁾ | 4 | 4335 |
| 410,7 | 417 | 2,0 | 3,58 | HR121 | 180M ⁽²⁾ | 4 | 5855 |
| 397,3 | 431 | 1,4 | 3,70 | HR101 | 180M ⁽²⁾ | 4 | 4467 |
| 395,2 | 438 | 2,0 | 2,48 | HR121 | 200LA ⁽²⁾ | 6 | 5915 |
| 357,0 | 480 | 1,8 | 4,12 | HR121 | 180M ⁽²⁾ | 4 | 6000 |
| 348,2 | 492 | 1,2 | 4,22 | HR101 | 180M ⁽²⁾ | 4 | 4608 |
| 331,7 | 522 | 1,6 | 2,95 | HR121 | 200LA ⁽²⁾ | 6 | 6000 |
| 311,8 | 555 | 1,6 | 3,14 | HR121 | 200LA ⁽²⁾ | 6 | 6000 |
| 306,3 | 560 | 1,6 | 4,80 | HR121 | 180M ⁽²⁾ | 4 | 6000 |
| 301,5 | 568 | 1,1 | 4,88 | HR101 | 180M ⁽²⁾ | 4 | 4759 |
| 281,9 | 608 | 1,4 | 5,21 | HR121 | 180M ⁽²⁾ | 4 | 6000 |
| 279,3 | 607 | 3,0 | 5,26 | H102 | 180M ⁽²⁾ | 4 | 14749 |
| 279,1 | 614 | 1,0 | 5,27 | HR101 | 180M ⁽²⁾ | 4 | 4839 |
| 273,8 | 632 | 1,4 | 3,58 | HR121 | 200LA ⁽²⁾ | 6 | 6000 |
| 238,0 | 727 | 1,2 | 4,12 | HR121 | 200LA ⁽²⁾ | 6 | 6000 |
| 235,2 | 729 | 1,2 | 6,25 | HR121 | 180M ⁽²⁾ | 4 | 6000 |
| 231,3 | 733 | 2,7 | 6,36 | H102 | 180M ⁽²⁾ | 4 | 15366 |
| 208,5 | 814 | 2,8 | 7,05 | H102 | 180M ⁽²⁾ | 4 | 15695 |
| 204,2 | 848 | 1,1 | 4,80 | HR121 | 200LA ⁽²⁾ | 6 | 6000 |
| 190,9 | 898 | 1,1 | 7,70 | HR121 | 180M ⁽²⁾ | 4 | 6000 |
| 185,8 | 922 | 3,4 | 5,27 | H122 | 200LA ⁽²⁾ | 6 | 25022 |
| 177,7 | 955 | 2,6 | 8,27 | H102 | 180M ⁽²⁾ | 4 | 16178 |
| 173,4 | 978 | 3,9 | 8,48 | H122 | 180M ⁽²⁾ | 4 | 25485 |
| 169,7 | 1009 | 3,3 | 5,78 | H122 | 200LA ⁽²⁾ | 6 | 25590 |
| 147,1 | 1153 | 2,4 | 9,99 | H102 | 180M ⁽²⁾ | 4 | 16698 |
| 142,1 | 1194 | 3,4 | 10,35 | H122 | 180M ⁽²⁾ | 4 | 26737 |
| 139,0 | 1232 | 3,1 | 7,05 | H122 | 200LA ⁽²⁾ | 6 | 26833 |
| 132,6 | 1279 | 2,3 | 11,09 | H102 | 180M ⁽²⁾ | 4 | 16954 |
| 126,6 | 1353 | 2,9 | 7,74 | H122 | 200LA ⁽²⁾ | 6 | 27411 |
| 116,1 | 1461 | 3,0 | 12,66 | H122 | 180M ⁽²⁾ | 4 | 27985 |

(2) With TBS brake motor, please contact our Technical Sales Support

18,50 kW

| n ₂ [rpm] | M ₂ [Nm] | f _s | i | Gear reducer | Motor | | Fr ₂ [N] |
|-------------------------|------------------------|----------------|-------|-----------------|----------------------|------|------------------------|
| | | | | | Size | Pole | |
| 115,6 | 1482 | 2,7 | 8,48 | H122 | 200LA ⁽²⁾ | 6 | 27962 |
| 110,3 | 1537 | 2,0 | 13,32 | H102 | 180M ⁽²⁾ | 4 | 17339 |
| 106,0 | 1600 | 2,9 | 13,86 | H122 | 180M ⁽²⁾ | 4 | 28531 |
| 94,7 | 1808 | 2,3 | 10,35 | H122 | 200LA ⁽²⁾ | 6 | 29135 |
| 91,4 | 1857 | 1,7 | 16,09 | H102 | 180M ⁽²⁾ | 4 | 17617 |
| 86,9 | 1952 | 2,5 | 16,92 | H122 | 180M ⁽²⁾ | 4 | 29684 |
| 84,2 | 2014 | 3,9 | 17,45 | H142 | 180M ⁽²⁾ | 4 | 42354 |
| 82,3 | 2060 | 1,6 | 17,85 | H102 | 180M ⁽²⁾ | 4 | 17707 |
| 77,4 | 2213 | 2,1 | 12,66 | H122 | 200LA ⁽²⁾ | 6 | 30000 |
| 76,1 | 2229 | 2,2 | 19,32 | H122 | 180M ⁽²⁾ | 4 | 30000 |
| 75,0 | 2285 | 3,4 | 13,07 | H142 | 200LA ⁽²⁾ | 6 | 43436 |
| 74,1 | 2290 | 1,4 | 19,85 | H102 | 180M ⁽²⁾ | 4 | 17742 |
| 73,3 | 2313 | 3,5 | 20,04 | H142 | 180M ⁽²⁾ | 4 | 43719 |
| 71,5 | 2374 | 2,1 | 20,57 | H122 | 180M ⁽²⁾ | 4 | 30000 |
| 70,7 | 2423 | 2,0 | 13,86 | H122 | 200LA ⁽²⁾ | 6 | 30000 |
| 68,6 | 2474 | 1,3 | 21,44 | H102 | 180M ⁽²⁾ | 4 | 17727 |
| 65,3 | 2599 | 1,9 | 22,52 | H122 | 180M ⁽²⁾ | 4 | 30000 |
| 62,2 | 2753 | 3,0 | 15,75 | H142 | 200LA ⁽²⁾ | 6 | 45225 |
| 61,3 | 2766 | 1,2 | 23,97 | H102 | 180M ⁽²⁾ | 4 | 17637 |
| 60,9 | 2786 | 2,9 | 24,15 | H142 | 180M ⁽²⁾ | 4 | 45514 |
| 60,1 | 2823 | 1,8 | 24,47 | H122 | 180M ⁽²⁾ | 4 | 30000 |
| 57,9 | 2958 | 1,7 | 16,92 | H122 | 200LA ⁽²⁾ | 6 | 30000 |
| 56,8 | 2988 | 1,1 | 25,89 | H102 | 180M ⁽²⁾ | 4 | 17521 |
| 56,1 | 3051 | 2,7 | 17,45 | H142 | 200LA ⁽²⁾ | 6 | 46178 |
| 54,9 | 3088 | 2,6 | 26,76 | H142 | 180M ⁽²⁾ | 4 | 46470 |
| 53,5 | 3172 | 1,6 | 27,49 | H122 | 180M ⁽²⁾ | 4 | 30000 |
| 51,2 | 3315 | 1,0 | 28,73 | H102 | 180M ⁽²⁾ | 4 | 17287 |
| 50,7 | 3377 | 1,6 | 19,32 | H122 | 200LA ⁽²⁾ | 6 | 30000 |
| 49,2 | 3446 | 1,5 | 29,86 | H122 | 180M ⁽²⁾ | 4 | 30000 |
| 48,9 | 3503 | 2,4 | 20,04 | H142 | 200LA ⁽²⁾ | 6 | 47406 |
| 47,6 | 3596 | 1,5 | 20,57 | H122 | 200LA ⁽²⁾ | 6 | 30000 |
| 45,6 | 3720 | 2,2 | 32,24 | H142 | 180M ⁽²⁾ | 4 | 48110 |
| 44,5 | 3808 | 1,3 | 33,00 | H122 | 180M ⁽²⁾ | 4 | 30000 |
| 43,5 | 3937 | 1,3 | 22,52 | H122 | 200LA ⁽²⁾ | 6 | 30000 |
| 40,7 | 4169 | 1,2 | 36,13 | H122 | 180M ⁽²⁾ | 4 | 30000 |
| 40,6 | 4221 | 2,0 | 24,15 | H142 | 200LA ⁽²⁾ | 6 | 48931 |
| 37,8 | 4482 | 1,8 | 38,85 | H142 | 180M ⁽²⁾ | 4 | 49588 |
| 36,6 | 4678 | 1,8 | 26,76 | H142 | 200LA ⁽²⁾ | 6 | 49688 |
| 35,6 | 4805 | 1,1 | 27,49 | H122 | 200LA ⁽²⁾ | 6 | 30000 |
| 34,1 | 4968 | 1,6 | 43,05 | H142 | 180M ⁽²⁾ | 4 | 50309 |
| 33,3 | 5088 | 1,0 | 44,10 | H122 | 180M ⁽²⁾ | 4 | 30000 |
| 32,1 | 5171 | 1,0 | 45,77 | H123 | 180M ⁽²⁾ | 4 | 30000 |

(2) With TBS brake motor, please contact our Technical Sales Support

18,50 kW

| n2 [rpm] | M2 [Nm] | fs | i | Gear reducer | Motor Size | Pole | Fr2 [N] |
|-------------|------------|-----|-------|-----------------|----------------------|------|------------|
| 30,4 | 5636 | 1,5 | 32,24 | H142 | 200LA ⁽²⁾ | 6 | 50859 |
| 30,4 | 5462 | 1,5 | 48,35 | H143 | 180M ⁽²⁾ | 4 | 51372 |
| 27,5 | 6047 | 1,3 | 53,53 | H143 | 180M ⁽²⁾ | 4 | 51934 |
| 25,2 | 6791 | 1,2 | 38,85 | H142 | 200LA ⁽²⁾ | 6 | 51701 |
| 24,8 | 6690 | 1,2 | 59,22 | H143 | 180M ⁽²⁾ | 4 | 52385 |
| 23,3 | 7117 | 1,1 | 62,99 | H143 | 180M ⁽²⁾ | 4 | 52600 |
| 22,8 | 7526 | 1,1 | 43,05 | H142 | 200LA ⁽²⁾ | 6 | 51986 |
| 20,6 | 8061 | 1,0 | 71,35 | H143 | 180M ⁽²⁾ | 4 | 52877 |
| 18,3 | 9162 | 0,9 | 53,53 | H143 | 200LA ⁽²⁾ | 6 | 52642 |

22,00 kW

| n2 [rpm] | M2 [Nm] | fs | i | Gear reducer | Motor Size | Pole | Fr2 [N] |
|-------------|------------|-----|------|-----------------|----------------------|------|------------|
| 1194,4 | 171 | 4,0 | 1,23 | HR121 | 180L ⁽²⁾ | 4 | 4240 |
| 1137,2 | 179 | 2,5 | 1,29 | HR101 | 180L ⁽²⁾ | 4 | 3331 |
| 1042,4 | 196 | 2,5 | 1,41 | HR101 | 180L ⁽²⁾ | 4 | 3413 |
| 1037,6 | 196 | 3,8 | 1,42 | HR121 | 180L ⁽²⁾ | 4 | 4424 |
| 813,8 | 250 | 3,0 | 1,81 | HR121 | 180L ⁽²⁾ | 4 | 4756 |
| 796,3 | 259 | 2,8 | 1,23 | HR121 | 200LB ⁽²⁾ | 6 | 4783 |
| 735,0 | 277 | 2,8 | 2,00 | HR121 | 180L ⁽²⁾ | 4 | 4900 |
| 723,3 | 282 | 1,7 | 2,03 | HR101 | 180L ⁽²⁾ | 4 | 3766 |
| 691,8 | 298 | 2,6 | 1,42 | HR121 | 200LB ⁽²⁾ | 6 | 4984 |
| 592,7 | 344 | 2,4 | 2,48 | HR121 | 180L ⁽²⁾ | 4 | 5214 |
| 592,4 | 344 | 1,7 | 2,48 | HR101 | 180L ⁽²⁾ | 4 | 3962 |
| 542,5 | 379 | 2,0 | 1,81 | HR121 | 200LB ⁽²⁾ | 6 | 5343 |
| 497,5 | 410 | 2,0 | 2,95 | HR121 | 180L ⁽²⁾ | 4 | 5478 |
| 490,0 | 420 | 1,9 | 2,00 | HR121 | 200LB ⁽²⁾ | 6 | 5497 |
| 467,7 | 436 | 1,9 | 3,14 | HR121 | 180L ⁽²⁾ | 4 | 5573 |
| 449,2 | 454 | 1,3 | 3,27 | HR101 | 180L ⁽²⁾ | 4 | 4235 |
| 410,7 | 496 | 1,7 | 3,58 | HR121 | 180L ⁽²⁾ | 4 | 5776 |
| 397,3 | 513 | 1,2 | 3,70 | HR101 | 180L ⁽²⁾ | 4 | 4354 |
| 395,2 | 521 | 1,7 | 2,48 | HR121 | 200LB ⁽²⁾ | 6 | 5831 |
| 357,0 | 571 | 1,5 | 4,12 | HR121 | 180L ⁽²⁾ | 4 | 5998 |
| 348,2 | 585 | 1,0 | 4,22 | HR101 | 180L ⁽²⁾ | 4 | 4479 |
| 331,7 | 621 | 1,4 | 2,95 | HR121 | 200LB ⁽²⁾ | 6 | 6000 |
| 311,8 | 660 | 1,3 | 3,14 | HR121 | 200LB ⁽²⁾ | 6 | 6000 |
| 306,3 | 665 | 1,3 | 4,80 | HR121 | 180L ⁽²⁾ | 4 | 6000 |
| 301,5 | 676 | 0,9 | 4,88 | HR101 | 180L ⁽²⁾ | 4 | 4610 |
| 281,9 | 723 | 1,2 | 5,21 | HR121 | 180L ⁽²⁾ | 4 | 6000 |
| 279,3 | 722 | 2,5 | 5,26 | H102 | 180L ⁽²⁾ | 4 | 14314 |
| 273,8 | 752 | 1,2 | 3,58 | HR121 | 200LB ⁽²⁾ | 6 | 6000 |
| 238,0 | 865 | 1,0 | 4,12 | HR121 | 200LB ⁽²⁾ | 6 | 6000 |

⁽²⁾ With TBS brake motor, please contact our Technical Sales Support

22,00 kW

| n ₂ [rpm] | M ₂ [Nm] | f _s | i | Gear reducer | Motor | | Fr ₂ [N] |
|-------------------------|------------------------|----------------|-------|-----------------|----------------------|------|------------------------|
| | | | | | Size | Pole | |
| 235,2 | 866 | 1,0 | 6,25 | HR121 | 180L ⁽²⁾ | 4 | 6000 |
| 231,3 | 872 | 2,3 | 6,36 | H102 | 180L ⁽²⁾ | 4 | 14840 |
| 208,5 | 967 | 2,4 | 7,05 | H102 | 180L ⁽²⁾ | 4 | 15111 |
| 208,5 | 967 | 3,7 | 7,05 | H122 | 180L ⁽²⁾ | 4 | 23829 |
| 204,2 | 1008 | 0,9 | 4,80 | HR121 | 200LB ⁽²⁾ | 6 | 6000 |
| 190,9 | 1068 | 0,9 | 7,70 | HR121 | 180L ⁽²⁾ | 4 | 6000 |
| 189,9 | 1062 | 3,5 | 7,74 | H122 | 180L ⁽²⁾ | 4 | 24370 |
| 185,8 | 1096 | 2,9 | 5,27 | H122 | 200LB ⁽²⁾ | 6 | 24460 |
| 177,7 | 1135 | 2,2 | 8,27 | H102 | 180L ⁽²⁾ | 4 | 15493 |
| 173,4 | 1163 | 3,3 | 8,48 | H122 | 180L ⁽²⁾ | 4 | 24889 |
| 169,7 | 1200 | 2,8 | 5,78 | H122 | 200LB ⁽²⁾ | 6 | 24975 |
| 154,2 | 1321 | 3,9 | 6,36 | H142 | 200LB ⁽²⁾ | 6 | 35673 |
| 147,1 | 1371 | 2,0 | 9,99 | H102 | 180L ⁽²⁾ | 4 | 15871 |
| 142,1 | 1420 | 2,8 | 10,35 | H122 | 180L ⁽²⁾ | 4 | 26010 |
| 139,1 | 1464 | 3,6 | 7,04 | H142 | 200LB ⁽²⁾ | 6 | 36612 |
| 139,0 | 1465 | 2,6 | 7,05 | H122 | 200LB ⁽²⁾ | 6 | 26082 |
| 132,6 | 1521 | 2,0 | 11,09 | H102 | 180L ⁽²⁾ | 4 | 16037 |
| 126,6 | 1609 | 2,4 | 7,74 | H122 | 200LB ⁽²⁾ | 6 | 26587 |
| 125,0 | 1630 | 3,4 | 7,84 | H142 | 200LB ⁽²⁾ | 6 | 37596 |
| 116,1 | 1737 | 2,5 | 12,66 | H122 | 180L ⁽²⁾ | 4 | 27094 |
| 115,6 | 1762 | 2,3 | 8,48 | H122 | 200LB ⁽²⁾ | 6 | 27059 |
| 110,3 | 1828 | 1,7 | 13,32 | H102 | 180L ⁽²⁾ | 4 | 16237 |
| 106,0 | 1902 | 2,4 | 13,86 | H122 | 180L ⁽²⁾ | 4 | 27556 |
| 103,7 | 1964 | 3,5 | 9,45 | H142 | 200LB ⁽²⁾ | 6 | 39291 |
| 94,7 | 2151 | 2,0 | 10,35 | H122 | 200LB ⁽²⁾ | 6 | 28033 |
| 93,6 | 2177 | 3,5 | 10,47 | H142 | 200LB ⁽²⁾ | 6 | 40213 |
| 93,3 | 2161 | 3,6 | 15,75 | H142 | 180L ⁽²⁾ | 4 | 40301 |
| 91,4 | 2208 | 1,4 | 16,09 | H102 | 180L ⁽²⁾ | 4 | 16286 |
| 86,9 | 2322 | 2,1 | 16,92 | H122 | 180L ⁽²⁾ | 4 | 28494 |
| 84,2 | 2395 | 3,3 | 17,45 | H142 | 180L ⁽²⁾ | 4 | 41214 |
| 82,3 | 2449 | 1,3 | 17,85 | H102 | 180L ⁽²⁾ | 4 | 16229 |
| 77,4 | 2632 | 1,8 | 12,66 | H122 | 200LB ⁽²⁾ | 6 | 28893 |
| 76,1 | 2651 | 1,9 | 19,32 | H122 | 180L ⁽²⁾ | 4 | 29043 |
| 75,0 | 2717 | 2,8 | 13,07 | H142 | 200LB ⁽²⁾ | 6 | 42143 |
| 74,1 | 2723 | 1,2 | 19,85 | H102 | 180L ⁽²⁾ | 4 | 16099 |
| 73,3 | 2750 | 2,9 | 20,04 | H142 | 180L ⁽²⁾ | 4 | 42410 |
| 71,5 | 2823 | 1,8 | 20,57 | H122 | 180L ⁽²⁾ | 4 | 29276 |
| 70,7 | 2882 | 1,7 | 13,86 | H122 | 200LB ⁽²⁾ | 6 | 29223 |
| 68,6 | 2942 | 1,1 | 21,44 | H102 | 180L ⁽²⁾ | 4 | 15952 |
| 65,3 | 3090 | 1,6 | 22,52 | H122 | 180L ⁽²⁾ | 4 | 29579 |
| 62,2 | 3274 | 2,5 | 15,75 | H142 | 200LB ⁽²⁾ | 6 | 43667 |
| 61,3 | 3289 | 1,0 | 23,97 | H102 | 180L ⁽²⁾ | 4 | 15653 |

(2) With TBS brake motor, please contact our Technical Sales Support

22,00 kW

| n2 [rpm] | M2 [Nm] | fs | i | Gear reducer | Motor Size | Pole | Fr2 [N] |
|-------------|------------|-----|-------|-----------------|----------------------|------|------------|
| 60,9 | 3314 | 2,4 | 24,15 | H142 | 180L ⁽²⁾ | 4 | 43937 |
| 60,1 | 3357 | 1,5 | 24,47 | H122 | 180L ⁽²⁾ | 4 | 29815 |
| 57,9 | 3517 | 1,4 | 16,92 | H122 | 200LB ⁽²⁾ | 6 | 29793 |
| 56,8 | 3553 | 0,9 | 25,89 | H102 | 180L ⁽²⁾ | 4 | 15378 |
| 56,1 | 3628 | 2,3 | 17,45 | H142 | 200LB ⁽²⁾ | 6 | 44451 |
| 54,9 | 3672 | 2,2 | 26,76 | H142 | 180L ⁽²⁾ | 4 | 44722 |
| 53,5 | 3772 | 1,3 | 27,49 | H122 | 180L ⁽²⁾ | 4 | 30000 |
| 50,7 | 4016 | 1,3 | 19,32 | H122 | 200LB ⁽²⁾ | 6 | 30000 |
| 49,2 | 4098 | 1,2 | 29,86 | H122 | 180L ⁽²⁾ | 4 | 30000 |
| 48,9 | 4166 | 2,0 | 20,04 | H142 | 200LB ⁽²⁾ | 6 | 45423 |
| 47,6 | 4276 | 1,2 | 20,57 | H122 | 200LB ⁽²⁾ | 6 | 30000 |
| 45,6 | 4424 | 1,8 | 32,24 | H142 | 180L ⁽²⁾ | 4 | 46004 |
| 44,5 | 4528 | 1,1 | 33,00 | H122 | 180L ⁽²⁾ | 4 | 30000 |
| 43,5 | 4682 | 1,1 | 22,52 | H122 | 200LB ⁽²⁾ | 6 | 30000 |
| 40,7 | 4957 | 1,0 | 36,13 | H122 | 180L ⁽²⁾ | 4 | 30000 |
| 40,6 | 5020 | 1,7 | 24,15 | H142 | 200LB ⁽²⁾ | 6 | 46542 |
| 37,8 | 5331 | 1,5 | 38,85 | H142 | 180L ⁽²⁾ | 4 | 47051 |
| 36,6 | 5563 | 1,5 | 26,76 | H142 | 200LB ⁽²⁾ | 6 | 47040 |
| 35,6 | 5715 | 0,9 | 27,49 | H122 | 200LB ⁽²⁾ | 6 | 29859 |
| 34,1 | 5907 | 1,4 | 43,05 | H142 | 180L ⁽²⁾ | 4 | 47498 |
| 30,4 | 6702 | 1,3 | 32,24 | H142 | 200LB ⁽²⁾ | 6 | 47669 |
| 30,4 | 6495 | 1,2 | 48,35 | H143 | 180L ⁽²⁾ | 4 | 48280 |
| 27,5 | 7191 | 1,1 | 53,53 | H143 | 180L ⁽²⁾ | 4 | 48511 |
| 25,2 | 8076 | 1,0 | 38,85 | H142 | 200LB ⁽²⁾ | 6 | 47857 |
| 24,8 | 7956 | 1,0 | 59,22 | H143 | 180L ⁽²⁾ | 4 | 48598 |
| 23,3 | 8463 | 0,9 | 62,99 | H143 | 180L ⁽²⁾ | 4 | 48572 |
| 22,8 | 8950 | 0,9 | 43,05 | H142 | 200LB ⁽²⁾ | 6 | 47726 |

30,00 kW

| n2 [rpm] | M2 [Nm] | fs | i | Gear reducer | Motor Size | Pole | Fr2 [N] |
|-------------|------------|-----|------|-----------------|---------------------|------|------------|
| 1198,4 | 232 | 2,9 | 1,23 | HR121 | 200L ⁽²⁾ | 4 | 4174 |
| 1041,2 | 267 | 2,8 | 1,42 | HR121 | 200L ⁽²⁾ | 4 | 4348 |
| 816,5 | 340 | 2,2 | 1,81 | HR121 | 200L ⁽²⁾ | 4 | 4659 |
| 737,5 | 377 | 2,1 | 2,00 | HR121 | 200L ⁽²⁾ | 4 | 4794 |
| 594,8 | 467 | 1,8 | 2,48 | HR121 | 200L ⁽²⁾ | 4 | 5083 |
| 499,2 | 557 | 1,5 | 2,95 | HR121 | 200L ⁽²⁾ | 4 | 5324 |
| 469,3 | 592 | 1,4 | 3,14 | HR121 | 200L ⁽²⁾ | 4 | 5409 |
| 412,1 | 674 | 1,3 | 3,58 | HR121 | 200L ⁽²⁾ | 4 | 5589 |
| 358,2 | 776 | 1,1 | 4,12 | HR121 | 200L ⁽²⁾ | 4 | 5784 |
| 307,3 | 904 | 1,0 | 4,80 | HR121 | 200L ⁽²⁾ | 4 | 5995 |
| 279,6 | 984 | 3,1 | 5,27 | H122 | 200L ⁽²⁾ | 4 | 21290 |

⁽²⁾ With TBS brake motor, please contact our Technical Sales Support

30,00 kW

| n2 [rpm] | M2 [Nm] | fs | i | Gear reducer | Motor | | Fr2 [N] |
|-------------|------------|-----|-------|-----------------|---------------------|------|------------|
| | | | | | Size | Pole | |
| 255,4 | 1077 | 3,0 | 5,78 | H122 | 200L ⁽²⁾ | 4 | 21732 |
| 209,4 | 1313 | 3,8 | 7,04 | H142 | 200L ⁽²⁾ | 4 | 31889 |
| 209,3 | 1314 | 2,7 | 7,05 | H122 | 200L ⁽²⁾ | 4 | 22681 |
| 190,5 | 1444 | 2,6 | 7,74 | H122 | 200L ⁽²⁾ | 4 | 23110 |
| 188,1 | 1462 | 3,6 | 7,84 | H142 | 200L ⁽²⁾ | 4 | 32737 |
| 174,0 | 1581 | 2,4 | 8,48 | H122 | 200L ⁽²⁾ | 4 | 23512 |
| 156,1 | 1762 | 3,7 | 9,45 | H142 | 200L ⁽²⁾ | 4 | 34195 |
| 142,6 | 1929 | 2,1 | 10,35 | H122 | 200L ⁽²⁾ | 4 | 24334 |
| 140,8 | 1953 | 3,7 | 10,47 | H142 | 200L ⁽²⁾ | 4 | 34986 |
| 116,5 | 2361 | 1,9 | 12,66 | H122 | 200L ⁽²⁾ | 4 | 25049 |
| 112,8 | 2437 | 3,0 | 13,07 | H142 | 200L ⁽²⁾ | 4 | 36635 |
| 106,4 | 2585 | 1,8 | 13,86 | H122 | 200L ⁽²⁾ | 4 | 25319 |
| 93,7 | 2937 | 2,7 | 15,75 | H142 | 200L ⁽²⁾ | 4 | 37927 |
| 87,2 | 3155 | 1,5 | 16,92 | H122 | 200L ⁽²⁾ | 4 | 25769 |
| 84,5 | 3255 | 2,4 | 17,45 | H142 | 200L ⁽²⁾ | 4 | 38588 |
| 76,3 | 3603 | 1,4 | 19,32 | H122 | 200L ⁽²⁾ | 4 | 25936 |
| 73,6 | 3737 | 2,1 | 20,04 | H142 | 200L ⁽²⁾ | 4 | 39400 |
| 71,7 | 3836 | 1,3 | 20,57 | H122 | 200L ⁽²⁾ | 4 | 25970 |
| 65,5 | 4200 | 1,2 | 22,52 | H122 | 200L ⁽²⁾ | 4 | 25961 |
| 61,1 | 4503 | 1,8 | 24,15 | H142 | 200L ⁽²⁾ | 4 | 40318 |
| 55,1 | 4991 | 1,6 | 26,76 | H142 | 200L ⁽²⁾ | 4 | 40715 |
| 53,7 | 5126 | 1,0 | 27,49 | H122 | 200L ⁽²⁾ | 4 | 25662 |
| 45,7 | 6012 | 1,3 | 32,24 | H142 | 200L ⁽²⁾ | 4 | 41186 |
| 38,0 | 7244 | 1,1 | 38,85 | H142 | 200L ⁽²⁾ | 4 | 41255 |
| 34,3 | 8028 | 1,0 | 43,05 | H142 | 200L ⁽²⁾ | 4 | 41080 |
| 30,5 | 8827 | 0,9 | 48,35 | H143 | 200L ⁽²⁾ | 4 | 41228 |

37,00 kW

| n2 [rpm] | M2 [Nm] | fs | i | Gear reducer | Motor | | Fr2 [N] |
|-------------|------------|-----|-------|-----------------|---------------------|------|------------|
| | | | | | Size | Pole | |
| 281,5 | 1205 | 3,8 | 5,27 | H142 | 225S ⁽²⁾ | 4 | 28881 |
| 233,7 | 1452 | 3,4 | 6,36 | H142 | 225S ⁽²⁾ | 4 | 30204 |
| 210,8 | 1609 | 3,1 | 7,04 | H142 | 225S ⁽²⁾ | 4 | 30925 |
| 189,3 | 1792 | 3,0 | 7,84 | H142 | 225S ⁽²⁾ | 4 | 31670 |
| 157,1 | 2159 | 3,0 | 9,45 | H142 | 225S ⁽²⁾ | 4 | 32921 |
| 141,8 | 2392 | 3,0 | 10,47 | H142 | 225S ⁽²⁾ | 4 | 33580 |
| 113,6 | 2986 | 2,4 | 13,07 | H142 | 225S ⁽²⁾ | 4 | 34896 |
| 94,3 | 3598 | 2,2 | 15,75 | H142 | 225S ⁽²⁾ | 4 | 35846 |
| 85,1 | 3987 | 2,0 | 17,45 | H142 | 225S ⁽²⁾ | 4 | 36289 |
| 74,1 | 4578 | 1,7 | 20,04 | H142 | 225S ⁽²⁾ | 4 | 36771 |
| 61,5 | 5517 | 1,5 | 24,15 | H142 | 225S ⁽²⁾ | 4 | 37167 |
| 55,5 | 6114 | 1,3 | 26,76 | H142 | 225S ⁽²⁾ | 4 | 37232 |

⁽²⁾ With TBS brake motor, please contact our Technical Sales Support

37,00 kW

| n2 [rpm] | M2 [Nm] | fs | i | Gear reducer | Size | Motor | Pole | Fr2 [N] |
|-------------|------------|-----|-------|-----------------|---------------------|-------|------|------------|
| 46,1 | 7365 | 1,1 | 32,24 | H142 | 225S ⁽²⁾ | | 4 | 37007 |
| 38,2 | 8874 | 0,9 | 38,85 | H142 | 225S ⁽²⁾ | | 4 | 36237 |

45,00 kW

| n2 [rpm] | M2 [Nm] | fs | i | Gear reducer | Size | Motor | Pole | Fr2 [N] |
|-------------|------------|-----|-------|-----------------|---------------------|-------|------|------------|
| 281,5 | 1465 | 3,1 | 5,27 | H142 | 225M ⁽²⁾ | | 4 | 28102 |
| 233,7 | 1766 | 2,8 | 6,36 | H142 | 225M ⁽²⁾ | | 4 | 29265 |
| 210,8 | 1957 | 2,6 | 7,04 | H142 | 225M ⁽²⁾ | | 4 | 29884 |
| 189,3 | 2179 | 2,4 | 7,84 | H142 | 225M ⁽²⁾ | | 4 | 30511 |
| 157,1 | 2625 | 2,5 | 9,45 | H142 | 225M ⁽²⁾ | | 4 | 31525 |
| 141,8 | 2910 | 2,5 | 10,47 | H142 | 225M ⁽²⁾ | | 4 | 32033 |
| 113,6 | 3631 | 2,0 | 13,07 | H142 | 225M ⁽²⁾ | | 4 | 32964 |
| 94,3 | 4376 | 1,8 | 15,75 | H142 | 225M ⁽²⁾ | | 4 | 33519 |
| 85,1 | 4849 | 1,6 | 17,45 | H142 | 225M ⁽²⁾ | | 4 | 33710 |
| 74,1 | 5568 | 1,4 | 20,04 | H142 | 225M ⁽²⁾ | | 4 | 33810 |
| 61,5 | 6709 | 1,2 | 24,15 | H142 | 225M ⁽²⁾ | | 4 | 33598 |
| 55,5 | 7435 | 1,1 | 26,76 | H142 | 225M ⁽²⁾ | | 4 | 33277 |

⁽²⁾ With TBS brake motor, please contact our Technical Sales Support

IHA32

| Mn ₂ [Nm] | i | Pn ₁ [kW] | n ₂ [rpm] | Fr1 [N] | Fr2 [N] |
|-------------------------|-------|-------------------------|-------------------------|------------|------------|
| 75 | 5,38 | 2,67 | 325,3 | 330 | 1018 |
| 75 | 6,52 | 2,20 | 268,5 | 409 | 1085 |
| 71 | 8,11 | 1,66 | 215,8 | 373 | 1167 |
| 85 | 10,94 | 1,48 | 160,0 | 441 | 1289 |
| 75 | 13,25 | 1,08 | 132,1 | 363 | 1374 |
| 75 | 16,49 | 0,87 | 106,1 | 398 | 1478 |
| 85 | 20,26 | 0,80 | 86,4 | 453 | 1583 |
| 80 | 24,55 | 0,62 | 71,3 | 386 | 1688 |
| 75 | 30,55 | 0,47 | 57,3 | 374 | 1816 |
| 85 | 35,44 | 0,46 | 49,4 | 480 | 1908 |
| 85 | 44,10 | 0,37 | 39,7 | 398 | 2000 |
| 75 | 48,75 | 0,29 | 35,9 | 398 | 2000 |
| 89 | 60,67 | 0,28 | 28,9 | 472 | 2000 |

IHA33

| Mn ₂ [Nm] | i | Pn ₁ [kW] | n ₂ [rpm] | Fr1 [N] | Fr2 [N] |
|-------------------------|--------|-------------------------|-------------------------|------------|------------|
| 94 | 51,32 | 0,36 | 34,1 | 472 | 2000 |
| 94 | 59,65 | 0,31 | 29,3 | 472 | 2000 |
| 94 | 72,27 | 0,25 | 24,2 | 472 | 2000 |
| 94 | 89,94 | 0,20 | 19,5 | 472 | 2000 |
| 94 | 110,51 | 0,17 | 15,8 | 472 | 2000 |
| 94 | 133,88 | 0,14 | 13,1 | 472 | 2000 |
| 94 | 166,61 | 0,11 | 10,5 | 472 | 2000 |
| 94 | 193,30 | 0,09 | 9,1 | 472 | 2000 |
| 94 | 240,55 | 0,08 | 7,3 | 472 | 2000 |
| 94 | 279,07 | 0,07 | 6,3 | 472 | 2000 |
| 94 | 347,29 | 0,05 | 5,0 | 472 | 2000 |

IHA41

| Mn ₂ [Nm] | i | Pn ₁ [kW] | n ₂ [rpm] | Fr1 [N] | Fr2 [N] |
|-------------------------|-------|-------------------------|-------------------------|------------|------------|
| 24 | 1,45 | 3,07 | 1208,3 | 330 | 475 |
| 24 | 2,94 | 1,51 | 594,3 | 330 | 602 |
| 28 | 4,75 | 1,12 | 368,4 | 330 | 706 |
| 28 | 5,45 | 0,98 | 320,8 | 330 | 739 |
| 24 | 7,88 | 0,56 | 222,2 | 330 | 835 |
| 19 | 10,83 | 0,33 | 161,5 | 330 | 929 |

IHA42

| Mn_2 [Nm] | i | Pn_1 [kW] | n2 [rpm] | Fr1 [N] | Fr2 [N] |
|----------------|-------|----------------|-------------|------------|------------|
| 132 | 5,38 | 4,67 | 325,3 | 330 | 2143 |
| 132 | 6,52 | 3,85 | 268,5 | 409 | 2284 |
| 122 | 8,11 | 2,88 | 215,8 | 369 | 2457 |
| 141 | 10,94 | 2,46 | 160,0 | 424 | 2714 |
| 132 | 13,25 | 1,90 | 132,1 | 381 | 2894 |
| 132 | 16,49 | 1,52 | 106,1 | 398 | 3112 |
| 141 | 20,26 | 1,33 | 86,4 | 432 | 3334 |
| 146 | 24,55 | 1,13 | 71,3 | 422 | 3554 |
| 132 | 30,55 | 0,82 | 57,3 | 359 | 3823 |
| 141 | 35,44 | 0,76 | 49,4 | 457 | 4017 |
| 132 | 44,10 | 0,57 | 39,7 | 371 | 4300 |
| 108 | 48,75 | 0,42 | 35,9 | 416 | 4300 |
| 122 | 60,67 | 0,38 | 28,9 | 428 | 4300 |

IHA43

| Mn_2 [Nm] | i | Pn_1 [kW] | n2 [rpm] | Fr1 [N] | Fr2 [N] |
|----------------|--------|----------------|-------------|------------|------------|
| 141 | 51,32 | 0,54 | 34,1 | 427 | 4300 |
| 141 | 59,65 | 0,46 | 29,3 | 426 | 4300 |
| 141 | 72,27 | 0,38 | 24,2 | 409 | 4300 |
| 141 | 89,94 | 0,31 | 19,5 | 398 | 4300 |
| 141 | 110,51 | 0,25 | 15,8 | 403 | 4300 |
| 141 | 133,88 | 0,21 | 13,1 | 409 | 4300 |
| 141 | 166,61 | 0,16 | 10,5 | 398 | 4300 |
| 141 | 193,30 | 0,14 | 9,1 | 427 | 4300 |
| 141 | 240,55 | 0,11 | 7,3 | 398 | 4300 |
| 141 | 279,07 | 0,10 | 6,3 | 427 | 4300 |
| 141 | 347,29 | 0,08 | 5,0 | 398 | 4300 |

IHA51

| Mn_2 [Nm] | i | Pn_1 [kW] | n2 [rpm] | Fr1 [N] | Fr2 [N] |
|----------------|-------|----------------|-------------|------------|------------|
| 38 | 1,45 | 4,90 | 1208,3 | 330 | 1309 |
| 38 | 2,94 | 2,41 | 594,3 | 330 | 1658 |
| 47 | 4,75 | 1,87 | 368,4 | 330 | 1945 |
| 47 | 5,45 | 1,63 | 320,8 | 330 | 2036 |
| 38 | 7,88 | 0,90 | 222,2 | 330 | 2302 |
| 24 | 10,83 | 0,41 | 161,5 | 330 | 2560 |

IHA52

| Mn_2 [Nm] | i | Pn_1 [kW] | n_2 [rpm] | Fr_1 [N] | Fr_2 [N] |
|----------------|-------|----------------|----------------|---------------|---------------|
| 226 | 5,14 | 8,37 | 340,3 | 550 | 2638 |
| 226 | 6,22 | 6,92 | 281,2 | 682 | 2811 |
| 226 | 7,73 | 5,57 | 226,3 | 664 | 3023 |
| 282 | 9,64 | 5,58 | 181,5 | 827 | 3253 |
| 263 | 11,67 | 4,31 | 150,0 | 636 | 3467 |
| 263 | 14,50 | 3,46 | 120,7 | 664 | 3727 |
| 282 | 16,91 | 3,18 | 103,5 | 758 | 3924 |
| 273 | 20,46 | 2,54 | 85,5 | 659 | 4181 |
| 263 | 25,43 | 1,98 | 68,8 | 641 | 4495 |
| 282 | 29,89 | 1,80 | 58,5 | 752 | 4744 |
| 282 | 36,17 | 1,49 | 48,4 | 682 | 5055 |
| 263 | 44,95 | 1,12 | 38,9 | 620 | 5435 |
| 282 | 49,78 | 1,08 | 35,2 | 798 | 5623 |
| 273 | 61,87 | 0,84 | 28,3 | 642 | 6000 |

IHA53

| Mn_2 [Nm] | i | Pn_1 [kW] | n_2 [rpm] | Fr_1 [N] | Fr_2 [N] |
|----------------|--------|----------------|----------------|---------------|---------------|
| 282 | 49,80 | 1,10 | 35,1 | 330 | 5624 |
| 282 | 60,25 | 0,91 | 29,1 | 409 | 5992 |
| 282 | 74,88 | 0,73 | 23,4 | 398 | 6000 |
| 282 | 88,02 | 0,62 | 19,9 | 421 | 6000 |
| 282 | 111,61 | 0,49 | 15,7 | 390 | 6000 |
| 282 | 138,71 | 0,40 | 12,6 | 398 | 6000 |
| 282 | 163,05 | 0,34 | 10,7 | 421 | 6000 |
| 282 | 200,27 | 0,27 | 8,7 | 403 | 6000 |
| 282 | 235,41 | 0,23 | 7,4 | 421 | 6000 |
| 282 | 284,81 | 0,19 | 6,1 | 409 | 6000 |
| 282 | 353,98 | 0,16 | 4,9 | 398 | 6000 |

IHA61

| Mn_2 [Nm] | i | Pn_1 [kW] | n_2 [rpm] | Fr_1 [N] | Fr_2 [N] |
|----------------|-------|----------------|----------------|---------------|---------------|
| 85 | 1,33 | 11,99 | 1312,5 | 550 | 1906 |
| 85 | 2,50 | 6,39 | 700,0 | 550 | 2350 |
| 103 | 4,38 | 4,46 | 399,1 | 550 | 2834 |
| 85 | 7,75 | 2,06 | 225,8 | 550 | 3426 |
| 66 | 10,67 | 1,17 | 164,1 | 550 | 3811 |

IHA62

| Mn ₂ [Nm] | i | Pn ₁ [kW] | n ₂ [rpm] | Fr1 [N] | Fr2 [N] |
|-------------------------|-------|-------------------------|-------------------------|------------|------------|
| 357 | 5,14 | 13,26 | 340,3 | 550 | 3894 |
| 357 | 6,22 | 10,96 | 281,2 | 682 | 4150 |
| 357 | 7,73 | 8,82 | 226,3 | 664 | 4462 |
| 432 | 9,64 | 8,56 | 181,5 | 801 | 4802 |
| 414 | 11,67 | 6,77 | 150,0 | 652 | 5117 |
| 395 | 14,50 | 5,20 | 120,7 | 634 | 5502 |
| 470 | 16,91 | 5,30 | 103,5 | 842 | 5791 |
| 432 | 20,46 | 4,03 | 85,5 | 627 | 6171 |
| 404 | 25,43 | 3,03 | 68,8 | 621 | 6635 |
| 423 | 29,89 | 2,70 | 58,5 | 734 | 7002 |
| 442 | 36,17 | 2,33 | 48,4 | 712 | 7461 |
| 414 | 44,95 | 1,76 | 38,9 | 621 | 8000 |
| 348 | 49,78 | 1,33 | 35,2 | 626 | 8000 |
| 414 | 61,87 | 1,28 | 28,3 | 789 | 8000 |

IHA63

| Mn ₂ [Nm] | i | Pn ₁ [kW] | n ₂ [rpm] | Fr1 [N] | Fr2 [N] |
|-------------------------|--------|-------------------------|-------------------------|------------|------------|
| 451 | 49,80 | 1,77 | 35,1 | 330 | 8000 |
| 451 | 60,25 | 1,46 | 29,1 | 409 | 8000 |
| 451 | 74,88 | 1,17 | 23,4 | 398 | 8000 |
| 451 | 88,02 | 1,00 | 19,9 | 421 | 8000 |
| 451 | 111,61 | 0,79 | 15,7 | 390 | 8000 |
| 451 | 138,71 | 0,63 | 12,6 | 398 | 8000 |
| 451 | 163,05 | 0,54 | 10,7 | 421 | 8000 |
| 451 | 200,27 | 0,44 | 8,7 | 403 | 8000 |
| 451 | 235,41 | 0,37 | 7,4 | 421 | 8000 |
| 451 | 284,81 | 0,31 | 6,1 | 409 | 8000 |
| 451 | 353,98 | 0,25 | 4,9 | 398 | 8000 |

IH032

| Mn ₂ [Nm] | i | Pn ₁ [kW] | n ₂ [rpm] | Fr1 [N] | Fr2 [N] |
|-------------------------|-------|-------------------------|-------------------------|------------|------------|
| 89 | 4,70 | 3,63 | 372,7 | 742 | 2769 |
| 99 | 6,23 | 3,02 | 280,9 | 852 | 3037 |
| 118 | 7,76 | 2,89 | 225,4 | 877 | 3151 |
| 122 | 8,87 | 2,63 | 197,4 | 924 | 3300 |
| 132 | 10,14 | 2,48 | 172,5 | 952 | 3412 |
| 136 | 11,76 | 2,21 | 148,8 | 1001 | 3605 |
| 160 | 13,72 | 2,22 | 127,5 | 999 | 3625 |
| 160 | 14,66 | 2,08 | 119,4 | 1024 | 3743 |

IH032

| Mn_2 [Nm] | i | Pn_1 [kW] | n_2 [rpm] | Fr_1 [N] | Fr_2 [N] |
|----------------|-------|----------------|----------------|---------------|---------------|
| 179 | 16,77 | 2,03 | 104,4 | 1033 | 3795 |
| 188 | 18,20 | 1,97 | 96,2 | 1044 | 3854 |
| 188 | 19,90 | 1,80 | 88,0 | 1075 | 4029 |
| 188 | 22,68 | 1,58 | 77,2 | 1115 | 4296 |
| 188 | 23,83 | 1,51 | 73,4 | 1129 | 4400 |
| 188 | 26,39 | 1,36 | 66,3 | 1156 | 4620 |
| 188 | 29,70 | 1,21 | 58,9 | 1184 | 4884 |
| 188 | 32,89 | 1,09 | 53,2 | 1205 | 5120 |
| 188 | 37,92 | 0,95 | 46,1 | 1231 | 5464 |
| 188 | 41,40 | 0,87 | 42,3 | 1246 | 5500 |
| 188 | 47,25 | 0,76 | 37,0 | 1265 | 5500 |

IH033

| Mn_2 [Nm] | i | Pn_1 [kW] | n_2 [rpm] | Fr_1 [N] | Fr_2 [N] |
|----------------|--------|----------------|----------------|---------------|---------------|
| 188 | 53,59 | 0,68 | 32,7 | 1282 | 5500 |
| 188 | 66,78 | 0,55 | 26,2 | 1306 | 5500 |
| 188 | 74,84 | 0,49 | 23,4 | 1316 | 5500 |
| 188 | 99,27 | 0,37 | 17,6 | 1338 | 5500 |
| 188 | 108,05 | 0,34 | 16,2 | 1343 | 5500 |
| 188 | 123,71 | 0,30 | 14,2 | 1351 | 5500 |
| 188 | 143,33 | 0,26 | 12,2 | 1358 | 5500 |
| 188 | 178,61 | 0,21 | 9,8 | 1367 | 5500 |
| 188 | 197,17 | 0,19 | 8,9 | 1371 | 5500 |
| 188 | 245,70 | 0,15 | 7,1 | 1377 | 5500 |

IH042

| Mn_2 [Nm] | i | Pn_1 [kW] | n_2 [rpm] | Fr_1 [N] | Fr_2 [N] |
|----------------|-------|----------------|----------------|---------------|---------------|
| 150 | 5,46 | 5,26 | 320,4 | 494 | 3589 |
| 150 | 7,19 | 3,99 | 243,5 | 718 | 4052 |
| 197 | 8,91 | 4,23 | 196,3 | 676 | 4056 |
| 226 | 10,31 | 4,18 | 169,7 | 686 | 4106 |
| 235 | 11,80 | 3,80 | 148,3 | 752 | 4303 |
| 235 | 13,57 | 3,31 | 128,9 | 841 | 4601 |
| 235 | 15,96 | 2,81 | 109,7 | 929 | 4965 |
| 235 | 19,00 | 2,36 | 92,1 | 1009 | 5379 |
| 235 | 21,00 | 2,14 | 83,3 | 1049 | 5627 |
| 244 | 23,15 | 2,02 | 75,6 | 1070 | 5799 |
| 244 | 26,04 | 1,79 | 67,2 | 1110 | 6112 |
| 263 | 27,50 | 1,83 | 63,6 | 1104 | 6106 |

IH042

| Mn_2 [Nm] | i | Pn_1 [kW] | n_2 [rpm] | Fr_1 [N] | Fr_2 [N] |
|----------------|-------|----------------|----------------|---------------|---------------|
| 263 | 30,45 | 1,65 | 57,5 | 1135 | 6393 |
| 263 | 34,10 | 1,47 | 51,3 | 1166 | 6600 |
| 263 | 37,76 | 1,33 | 46,3 | 1192 | 6600 |
| 263 | 43,75 | 1,15 | 40,0 | 1224 | 6600 |
| 263 | 47,53 | 1,06 | 36,8 | 1240 | 6600 |
| 263 | 54,25 | 0,93 | 32,3 | 1264 | 6600 |

IH043

| Mn_2 [Nm] | i | Pn_1 [kW] | n_2 [rpm] | Fr_1 [N] | Fr_2 [N] |
|----------------|--------|----------------|----------------|---------------|---------------|
| 282 | 61,83 | 0,89 | 28,3 | 1274 | 6600 |
| 282 | 76,67 | 0,72 | 22,8 | 1304 | 6600 |
| 282 | 87,05 | 0,63 | 20,1 | 1319 | 6600 |
| 282 | 114,55 | 0,48 | 15,3 | 1345 | 6600 |
| 282 | 125,69 | 0,44 | 13,9 | 1352 | 6600 |
| 282 | 142,04 | 0,39 | 12,3 | 1361 | 6600 |
| 282 | 165,38 | 0,33 | 10,6 | 1371 | 6600 |
| 282 | 205,07 | 0,27 | 8,5 | 1382 | 6600 |
| 282 | 227,50 | 0,24 | 7,7 | 1386 | 6600 |
| 282 | 282,10 | 0,19 | 6,2 | 1395 | 6600 |

IH052

| Mn_2 [Nm] | i | Pn_1 [kW] | n_2 [rpm] | Fr_1 [N] | Fr_2 [N] |
|----------------|-------|----------------|----------------|---------------|---------------|
| 244 | 5,73 | 8,15 | 305,6 | 328 | 4443 |
| 273 | 6,89 | 7,55 | 253,8 | 406 | 4642 |
| 320 | 8,53 | 7,15 | 205,2 | 458 | 4802 |
| 348 | 9,56 | 6,94 | 183,0 | 486 | 4884 |
| 367 | 11,51 | 6,08 | 152,0 | 599 | 5218 |
| 404 | 14,24 | 5,42 | 122,9 | 686 | 5530 |
| 423 | 16,59 | 4,87 | 105,5 | 759 | 5835 |
| 432 | 18,00 | 4,59 | 97,2 | 796 | 6011 |
| 432 | 19,97 | 4,13 | 87,6 | 855 | 6325 |
| 442 | 21,67 | 3,89 | 80,8 | 887 | 6515 |
| 442 | 24,71 | 3,41 | 70,8 | 950 | 6939 |
| 461 | 26,18 | 3,36 | 66,8 | 957 | 7006 |
| 461 | 28,44 | 3,09 | 61,5 | 992 | 7288 |
| 461 | 31,52 | 2,79 | 55,5 | 1032 | 7649 |
| 461 | 33,00 | 2,66 | 53,0 | 1048 | 7815 |
| 461 | 38,98 | 2,26 | 44,9 | 1102 | 8000 |
| 461 | 45,36 | 1,94 | 38,6 | 1144 | 8000 |

IH052

| Mn ₂ [Nm] | i | Pn ₁ [kW] | n ₂ [rpm] | Fr1 [N] | Fr2 [N] |
|-------------------------|-------|-------------------------|-------------------------|------------|------------|
| 461 | 49,13 | 1,79 | 35,6 | 1163 | 8000 |
| 461 | 56,11 | 1,57 | 31,2 | 1192 | 8000 |

IH053

| Mn ₂ [Nm] | i | Pn ₁ [kW] | n ₂ [rpm] | Fr1 [N] | Fr2 [N] |
|-------------------------|--------|-------------------------|-------------------------|------------|------------|
| 470 | 58,81 | 1,56 | 29,8 | 1198 | 8000 |
| 470 | 72,75 | 1,26 | 24,1 | 1236 | 8000 |
| 470 | 90,51 | 1,01 | 19,3 | 1268 | 8000 |
| 470 | 108,95 | 0,84 | 16,1 | 1290 | 8000 |
| 470 | 134,76 | 0,68 | 13,0 | 1311 | 8000 |
| 470 | 157,29 | 0,58 | 11,1 | 1323 | 8000 |
| 470 | 194,56 | 0,47 | 9,0 | 1338 | 8000 |
| 470 | 216,38 | 0,42 | 8,1 | 1344 | 8000 |
| 470 | 267,65 | 0,34 | 6,5 | 1354 | 8000 |

IH062

| Mn ₂ [Nm] | i | Pn ₁ [kW] | n ₂ [rpm] | Fr1 [N] | Fr2 [N] |
|-------------------------|-------|-------------------------|-------------------------|------------|------------|
| 470 | 5,38 | 16,69 | 325,6 | 972 | 7181 |
| 517 | 5,93 | 16,63 | 294,9 | 979 | 7240 |
| 517 | 7,39 | 13,35 | 236,8 | 1346 | 8018 |
| 564 | 8,50 | 12,67 | 205,9 | 1423 | 8270 |
| 564 | 9,39 | 11,47 | 186,5 | 1557 | 8658 |
| 611 | 11,69 | 9,98 | 149,7 | 1724 | 9291 |
| 658 | 12,67 | 9,92 | 138,2 | 1731 | 9366 |
| 658 | 14,75 | 8,52 | 118,6 | 1888 | 10053 |
| 752 | 16,29 | 8,81 | 107,5 | 1854 | 9972 |
| 780 | 17,67 | 8,43 | 99,1 | 1897 | 10202 |
| 799 | 20,28 | 7,52 | 86,3 | 1999 | 10787 |
| 799 | 23,27 | 6,55 | 75,2 | 2108 | 11512 |
| 799 | 25,70 | 5,94 | 68,1 | 2177 | 12000 |
| 752 | 29,33 | 4,89 | 59,7 | 2293 | 12000 |
| 799 | 32,00 | 4,77 | 54,7 | 2308 | 12000 |
| 752 | 36,99 | 3,88 | 47,3 | 2407 | 12000 |
| 799 | 40,33 | 3,78 | 43,4 | 2418 | 12000 |
| 799 | 46,06 | 3,31 | 38,0 | 2471 | 12000 |

IH063

| Mn_2 [Nm] | i | Pn_1 [kW] | n_2 [rpm] | Fr_1 [N] | Fr_2 [N] |
|----------------|--------|----------------|----------------|---------------|---------------|
| 799 | 49,45 | 3,15 | 35,4 | 2496 | 12000 |
| 799 | 54,61 | 2,85 | 32,0 | 2529 | 12000 |
| 799 | 68,00 | 2,29 | 25,7 | 2590 | 12000 |
| 799 | 85,82 | 1,81 | 20,4 | 2643 | 12000 |
| 799 | 94,76 | 1,64 | 18,5 | 2661 | 12000 |
| 799 | 118,00 | 1,32 | 14,8 | 2697 | 12000 |
| 799 | 135,40 | 1,15 | 12,9 | 2715 | 12000 |
| 799 | 149,51 | 1,04 | 11,7 | 2727 | 12000 |
| 799 | 170,67 | 0,91 | 10,2 | 2742 | 12000 |
| 799 | 186,18 | 0,84 | 9,4 | 2750 | 12000 |
| 799 | 215,21 | 0,72 | 8,1 | 2762 | 12000 |
| 799 | 234,67 | 0,66 | 7,5 | 2769 | 12000 |
| 799 | 268,00 | 0,58 | 6,5 | 2778 | 12000 |

IH082

| Mn_2 [Nm] | i | Pn_1 [kW] | n_2 [rpm] | Fr_1 [N] | Fr_2 [N] |
|----------------|-------|----------------|----------------|---------------|---------------|
| 658 | 5,39 | 23,31 | 324,8 | 947 | 9019 |
| 658 | 5,95 | 21,12 | 294,3 | 1140 | 9420 |
| 752 | 7,39 | 19,41 | 236,7 | 1292 | 9927 |
| 752 | 8,02 | 17,90 | 218,2 | 1426 | 10294 |
| 846 | 8,85 | 18,25 | 197,7 | 1395 | 10322 |
| 1034 | 11,01 | 17,93 | 159,0 | 1423 | 10532 |
| 1316 | 13,50 | 18,61 | 129,6 | 1363 | 10317 |
| 1410 | 14,90 | 18,07 | 117,5 | 1410 | 10432 |
| 1410 | 16,62 | 16,20 | 105,3 | 1576 | 11058 |
| 1410 | 18,53 | 14,53 | 94,5 | 1723 | 11705 |
| 1504 | 19,38 | 14,81 | 90,3 | 1699 | 11551 |
| 1504 | 21,39 | 13,42 | 81,8 | 1821 | 12166 |
| 1504 | 22,80 | 12,59 | 76,8 | 1895 | 12576 |
| 1504 | 26,60 | 10,79 | 65,8 | 2054 | 13601 |
| 1504 | 27,88 | 10,30 | 62,8 | 2098 | 13925 |
| 1504 | 31,15 | 9,22 | 56,2 | 2193 | 14709 |
| 1504 | 34,38 | 8,35 | 50,9 | 2270 | 15429 |
| 1504 | 38,70 | 7,42 | 45,2 | 2352 | 16329 |
| 1504 | 42,75 | 6,72 | 40,9 | 2414 | 17111 |
| 1504 | 48,13 | 5,96 | 36,4 | 2481 | 18000 |

IH083

| Mn ₂ [Nm] | i | Pn ₁ [kW] | n ₂ [rpm] | Fr1 [N] | Fr2 [N] |
|-------------------------|--------|-------------------------|-------------------------|------------|------------|
| 1504 | 56,53 | 5,19 | 31,0 | 2559 | 18000 |
| 1692 | 71,48 | 4,61 | 24,5 | 2609 | 18000 |
| 1692 | 78,87 | 4,18 | 22,2 | 2646 | 18000 |
| 1692 | 85,56 | 3,86 | 20,4 | 2674 | 18000 |
| 1692 | 98,09 | 3,36 | 17,8 | 2717 | 18000 |
| 1692 | 112,78 | 2,92 | 15,5 | 2755 | 18000 |
| 1692 | 124,44 | 2,65 | 14,1 | 2779 | 18000 |
| 1692 | 142,15 | 2,32 | 12,3 | 2807 | 18000 |
| 1692 | 154,76 | 2,13 | 11,3 | 2824 | 18000 |
| 1692 | 162,35 | 2,03 | 10,8 | 2832 | 18000 |
| 1692 | 179,13 | 1,84 | 9,8 | 2849 | 18000 |
| 1692 | 195,07 | 1,69 | 9,0 | 2862 | 18000 |
| 1692 | 222,78 | 1,48 | 7,9 | 2880 | 18000 |

IH102

| Mn ₂ [Nm] | i | Pn ₁ [kW] | n ₂ [rpm] | Fr1 [N] | Fr2 [N] |
|-------------------------|-------|-------------------------|-------------------------|------------|------------|
| 1692 | 5,26 | 61,37 | 332,5 | 1872 | 9555 |
| 1880 | 6,36 | 56,46 | 275,3 | 2050 | 9878 |
| 2162 | 7,05 | 58,53 | 248,2 | 1975 | 9408 |
| 2350 | 8,27 | 54,21 | 211,5 | 2131 | 9660 |
| 2632 | 9,99 | 50,28 | 175,1 | 2273 | 9796 |
| 2820 | 11,09 | 48,56 | 157,9 | 2336 | 9779 |
| 2914 | 13,32 | 41,74 | 131,3 | 2582 | 10718 |
| 3008 | 16,09 | 35,68 | 108,8 | 2801 | 11774 |
| 3008 | 17,85 | 32,16 | 98,0 | 2928 | 12590 |
| 3008 | 19,85 | 28,93 | 88,2 | 3045 | 13453 |
| 3008 | 21,44 | 26,78 | 81,6 | 3123 | 14102 |
| 3102 | 23,97 | 24,70 | 73,0 | 3198 | 14710 |
| 3102 | 25,89 | 22,87 | 67,6 | 3265 | 15401 |
| 3102 | 28,73 | 20,61 | 60,9 | 3346 | 16357 |
| 3008 | 30,72 | 18,69 | 57,0 | 3416 | 17349 |
| 3008 | 34,20 | 16,79 | 51,2 | 3484 | 18396 |
| 2632 | 38,45 | 13,07 | 45,5 | 3619 | 21009 |
| 3102 | 41,30 | 14,34 | 42,4 | 3573 | 19974 |
| 3102 | 45,82 | 12,92 | 38,2 | 3624 | 21091 |
| 3102 | 51,52 | 11,49 | 34,0 | 3676 | 22000 |

IH103

| Mn ₂ [Nm] | i | Pn ₁ [kW] | n ₂ [rpm] | Fr1 [N] | Fr2 [N] |
|-------------------------|--------|-------------------------|-------------------------|------------|------------|
| 3290 | 55,47 | 11,56 | 31,6 | 3682 | 22000 |
| 3290 | 69,69 | 9,20 | 25,1 | 3766 | 22000 |
| 3290 | 79,82 | 8,04 | 21,9 | 3807 | 22000 |
| 3290 | 84,16 | 7,62 | 20,8 | 3822 | 22000 |
| 3290 | 93,36 | 6,87 | 18,7 | 3848 | 22000 |
| 3290 | 100,07 | 6,41 | 17,5 | 3865 | 22000 |
| 3290 | 120,84 | 5,31 | 14,5 | 3904 | 22000 |
| 3290 | 134,06 | 4,78 | 13,1 | 3922 | 22000 |
| 3290 | 143,42 | 4,47 | 12,2 | 3933 | 22000 |
| 3290 | 160,82 | 3,99 | 10,9 | 3950 | 22000 |
| 3290 | 181,07 | 3,54 | 9,7 | 3966 | 22000 |
| 3290 | 194,21 | 3,30 | 9,0 | 3975 | 22000 |
| 3290 | 215,45 | 2,98 | 8,1 | 3986 | 22000 |
| 3384 | 242,59 | 2,72 | 7,2 | 3995 | 22000 |

IH122

| Mn ₂ [Nm] | i | Pn ₁ [kW] | n ₂ [rpm] | Fr1 [N] | Fr2 [N] |
|-------------------------|-------|-------------------------|-------------------------|------------|------------|
| 2820 | 5,27 | 102,05 | 331,8 | 973 | 13873 |
| 3008 | 5,78 | 99,42 | 303,0 | 1052 | 13972 |
| 3384 | 7,05 | 91,64 | 248,3 | 1285 | 14386 |
| 3478 | 7,74 | 85,75 | 226,0 | 1461 | 14886 |
| 3572 | 8,48 | 80,44 | 206,4 | 1620 | 15384 |
| 3760 | 10,35 | 69,37 | 169,2 | 1952 | 16625 |
| 4136 | 12,66 | 62,35 | 138,2 | 2162 | 17416 |
| 4324 | 13,86 | 59,53 | 126,2 | 2246 | 17753 |
| 4512 | 16,92 | 50,90 | 103,4 | 2505 | 19324 |
| 4700 | 19,32 | 46,43 | 90,6 | 2639 | 20249 |
| 4700 | 20,57 | 43,61 | 85,1 | 2723 | 20996 |
| 4700 | 22,52 | 39,83 | 77,7 | 2836 | 22104 |
| 4700 | 24,47 | 36,67 | 71,5 | 2931 | 23147 |
| 4700 | 27,49 | 32,63 | 63,7 | 3052 | 24663 |
| 4700 | 29,86 | 30,04 | 58,6 | 3130 | 25777 |
| 4700 | 33,00 | 27,19 | 53,0 | 3215 | 27161 |
| 4700 | 36,13 | 24,83 | 48,4 | 3286 | 28459 |
| 4700 | 44,10 | 20,34 | 39,7 | 3420 | 30000 |

IH123

| Mn ₂ [Nm] | i | Pn ₁ [kW] | n ₂ [rpm] | Fr1 [N] | Fr2 [N] |
|-------------------------|-------|-------------------------|-------------------------|------------|------------|
| 4700 | 45,77 | 20,02 | 38,2 | 3442 | 30000 |

IH123

| Mn ₂ [Nm] | i | Pn ₁ [kW] | n ₂ [rpm] | Fr1 [N] | Fr2 [N] |
|-------------------------|--------|-------------------------|-------------------------|------------|------------|
| 4700 | 55,87 | 16,40 | 31,3 | 3548 | 30000 |
| 4700 | 67,32 | 13,61 | 26,0 | 3630 | 30000 |
| 4700 | 73,71 | 12,43 | 23,7 | 3665 | 30000 |
| 4700 | 83,34 | 10,99 | 21,0 | 3707 | 30000 |
| 4700 | 89,97 | 10,18 | 19,4 | 3731 | 30000 |
| 4700 | 100,29 | 9,14 | 17,4 | 3761 | 30000 |
| 4700 | 108,34 | 8,46 | 16,1 | 3781 | 30000 |
| 4700 | 118,62 | 7,72 | 14,8 | 3803 | 30000 |
| 4700 | 128,18 | 7,15 | 13,7 | 3820 | 30000 |
| 4700 | 144,79 | 6,33 | 12,1 | 3844 | 30000 |
| 4700 | 155,22 | 5,90 | 11,3 | 3856 | 30000 |
| 4700 | 172,80 | 5,30 | 10,1 | 3874 | 30000 |
| 4700 | 189,19 | 4,84 | 9,2 | 3887 | 30000 |
| 4700 | 207,43 | 4,42 | 8,4 | 3900 | 30000 |
| 4700 | 230,92 | 3,97 | 7,6 | 3913 | 30000 |

IH142

| Mn ₂ [Nm] | i | Pn ₁ [kW] | n ₂ [rpm] | Fr1 [N] | Fr2 [N] |
|-------------------------|-------|-------------------------|-------------------------|------------|------------|
| 4324 | 5,27 | 156,49 | 331,8 | 5427 | 17544 |
| 4606 | 6,36 | 138,34 | 275,4 | 6017 | 18654 |
| 4700 | 7,04 | 127,38 | 248,5 | 6374 | 19503 |
| 4982 | 7,84 | 121,25 | 223,1 | 6573 | 19885 |
| 6110 | 9,45 | 123,42 | 185,2 | 6503 | 18741 |
| 6768 | 10,47 | 123,36 | 167,1 | 6505 | 18062 |
| 6862 | 13,07 | 100,21 | 133,9 | 7258 | 20719 |
| 7332 | 15,75 | 88,86 | 111,1 | 7628 | 21957 |
| 7426 | 17,45 | 81,21 | 100,3 | 7877 | 23205 |
| 7520 | 20,04 | 71,62 | 87,3 | 8189 | 25066 |
| 7520 | 24,15 | 59,44 | 72,5 | 8585 | 28116 |
| 7520 | 26,76 | 53,63 | 65,4 | 8774 | 29879 |
| 7520 | 32,24 | 44,52 | 54,3 | 9071 | 33234 |
| 7520 | 38,85 | 36,95 | 45,0 | 9317 | 36807 |
| 7520 | 43,05 | 33,34 | 40,6 | 9435 | 38874 |

IH143

| Mn ₂ [Nm] | i | Pn ₁ [kW] | n ₂ [rpm] | Fr1 [N] | Fr2 [N] |
|-------------------------|-------|-------------------------|-------------------------|------------|------------|
| 7520 | 48,35 | 30,32 | 36,2 | 9553 | 41292 |
| 7520 | 53,53 | 27,39 | 32,7 | 9647 | 43493 |
| 7520 | 59,22 | 24,76 | 29,6 | 9731 | 45753 |

IH143

| Mn_2 [Nm] | i | Pn_1 [kW] | n_2 [rpm] | Fr_1 [N] | Fr_2 [N] |
|----------------|--------|----------------|----------------|---------------|---------------|
| 7520 | 62,99 | 23,27 | 27,8 | 9778 | 47174 |
| 7520 | 71,35 | 20,55 | 24,5 | 9865 | 50129 |
| 7520 | 79,07 | 18,54 | 22,1 | 9929 | 52660 |
| 7520 | 86,43 | 16,96 | 20,2 | 9979 | 54922 |
| 7520 | 96,21 | 15,24 | 18,2 | 10034 | 55000 |
| 7520 | 104,51 | 14,03 | 16,7 | 10073 | 55000 |
| 7520 | 115,92 | 12,65 | 15,1 | 10117 | 55000 |
| 7520 | 128,47 | 11,41 | 13,6 | 10156 | 55000 |
| 7520 | 139,55 | 10,50 | 12,5 | 10185 | 55000 |
| 7520 | 154,33 | 9,50 | 11,3 | 10217 | 55000 |
| 7520 | 185,96 | 7,88 | 9,4 | 10269 | 55000 |
| 7520 | 206,08 | 7,11 | 8,5 | 10293 | 55000 |

IHR041

| Mn_2 [Nm] | i | Pn_1 [kW] | n_2 [rpm] | Fr_1 [N] | Fr_2 [N] |
|----------------|------|----------------|----------------|---------------|---------------|
| 26 | 1,44 | 3,46 | 1217,4 | 976 | 578 |
| 26 | 2,00 | 2,49 | 875,0 | 1087 | 659 |
| 32 | 2,55 | 2,37 | 687,5 | 1100 | 698 |
| 32 | 2,71 | 2,22 | 644,7 | 1117 | 716 |
| 41 | 3,11 | 2,52 | 563,6 | 1083 | 712 |
| 42 | 3,59 | 2,23 | 487,7 | 1116 | 753 |
| 42 | 4,20 | 1,90 | 416,7 | 1153 | 804 |
| 42 | 5,00 | 1,60 | 350,0 | 1188 | 864 |
| 47 | 5,50 | 1,61 | 318,2 | 1186 | 876 |
| 47 | 6,09 | 1,46 | 287,3 | 1204 | 914 |
| 47 | 7,67 | 1,16 | 228,3 | 1238 | 1000 |
| 52 | 8,75 | 1,12 | 200,0 | 1243 | 1000 |

IHR051

| Mn_2 [Nm] | i | Pn_1 [kW] | n_2 [rpm] | Fr_1 [N] | Fr_2 [N] |
|----------------|------|----------------|----------------|---------------|---------------|
| 42 | 1,27 | 6,28 | 1375,0 | 793 | 1455 |
| 61 | 1,42 | 8,13 | 1233,0 | 616 | 1405 |
| 61 | 2,13 | 5,43 | 823,5 | 874 | 1660 |
| 71 | 2,57 | 5,18 | 680,6 | 898 | 1736 |
| 80 | 3,17 | 4,77 | 552,6 | 937 | 1835 |
| 85 | 3,69 | 4,33 | 474,6 | 979 | 1927 |
| 85 | 4,00 | 4,00 | 437,5 | 1011 | 1994 |
| 89 | 4,77 | 3,54 | 366,9 | 1055 | 2117 |
| 94 | 5,25 | 3,38 | 333,3 | 1070 | 2175 |

IHR051

| Mn_2 [Nm] | i | Pn_1 [kW] | n2 [rpm] | Fr1 [N] | Fr2 [N] |
|----------------|------|----------------|-------------|------------|------------|
| 94 | 5,82 | 3,05 | 300,8 | 1101 | 2271 |
| 94 | 7,33 | 2,42 | 238,6 | 1162 | 2498 |
| 94 | 8,38 | 2,12 | 209,0 | 1191 | 2500 |

IHR061

| Mn_2 [Nm] | i | Pn_1 [kW] | n2 [rpm] | Fr1 [N] | Fr2 [N] |
|----------------|------|----------------|-------------|------------|------------|
| 94 | 1,34 | 13,22 | 1302,3 | 1940 | 2110 |
| 122 | 2,13 | 10,86 | 823,5 | 2124 | 2407 |
| 132 | 2,57 | 9,67 | 680,6 | 2218 | 2560 |
| 132 | 3,17 | 7,85 | 552,6 | 2360 | 2781 |
| 141 | 3,69 | 7,22 | 474,6 | 2410 | 2916 |
| 141 | 4,00 | 6,66 | 437,5 | 2454 | 3012 |
| 150 | 4,77 | 5,96 | 366,9 | 2509 | 3190 |
| 160 | 5,25 | 5,75 | 333,3 | 2525 | 3276 |
| 160 | 5,82 | 5,19 | 300,8 | 2569 | 3412 |
| 160 | 7,33 | 4,12 | 238,6 | 2653 | 3700 |
| 160 | 8,38 | 3,60 | 209,0 | 2693 | 3700 |

IHR081

| Mn_2 [Nm] | i | Pn_1 [kW] | n2 [rpm] | Fr1 [N] | Fr2 [N] |
|----------------|------|----------------|-------------|------------|------------|
| 207 | 1,30 | 30,11 | 1349,0 | 851 | 2272 |
| 226 | 1,43 | 29,83 | 1225,0 | 871 | 2321 |
| 235 | 1,93 | 22,99 | 906,2 | 1368 | 2597 |
| 277 | 2,54 | 20,61 | 688,5 | 1541 | 2804 |
| 296 | 3,25 | 17,21 | 538,5 | 1788 | 3054 |
| 301 | 3,72 | 15,27 | 470,1 | 1930 | 3214 |
| 301 | 4,00 | 14,21 | 437,5 | 2007 | 3308 |
| 301 | 4,67 | 12,18 | 375,0 | 2154 | 3516 |
| 310 | 5,54 | 10,58 | 316,0 | 2270 | 3740 |
| 320 | 6,08 | 9,92 | 287,7 | 2318 | 3860 |
| 329 | 7,50 | 8,29 | 233,3 | 2437 | 4000 |
| 329 | 8,44 | 7,36 | 207,2 | 2504 | 4000 |

IHR101

| Mn_2 [Nm] | i | Pn_1 [kW] | n2 [rpm] | Fr1 [N] | Fr2 [N] |
|----------------|------|----------------|-------------|------------|------------|
| 414 | 1,29 | 60,44 | 1353,8 | 1743 | 2787 |
| 451 | 1,41 | 60,44 | 1240,9 | 1743 | 2834 |

IHR101

| Mn_2 [Nm] | i | Pn_1 [kW] | n_2 [rpm] | Fr_1 [N] | Fr_2 [N] |
|----------------|------|----------------|----------------|---------------|---------------|
| 451 | 2,03 | 41,94 | 861,1 | 2423 | 3282 |
| 541 | 2,48 | 41,15 | 705,2 | 2452 | 3427 |
| 573 | 3,27 | 33,10 | 534,7 | 2748 | 3785 |
| 573 | 3,70 | 29,28 | 473,0 | 2888 | 3976 |
| 573 | 4,22 | 25,66 | 414,5 | 3021 | 4191 |
| 583 | 4,88 | 22,58 | 359,0 | 3134 | 4423 |
| 583 | 5,27 | 20,90 | 332,3 | 3196 | 4559 |
| 602 | 6,23 | 18,24 | 280,9 | 3294 | 4843 |
| 611 | 7,55 | 15,30 | 231,9 | 3402 | 5000 |
| 611 | 8,40 | 13,74 | 208,3 | 3459 | 5000 |

IHR121

| Mn_2 [Nm] | i | Pn_1 [kW] | n_2 [rpm] | Fr_1 [N] | Fr_2 [N] |
|----------------|------|----------------|----------------|---------------|---------------|
| 639 | 1,23 | 98,11 | 1421,9 | 920 | 3501 |
| 696 | 1,42 | 92,76 | 1235,3 | 1084 | 3643 |
| 696 | 1,81 | 72,74 | 968,8 | 1699 | 4010 |
| 733 | 2,00 | 69,26 | 875,0 | 1806 | 4134 |
| 771 | 2,48 | 58,72 | 705,6 | 2129 | 4459 |
| 771 | 2,95 | 49,28 | 592,3 | 2419 | 4773 |
| 790 | 3,14 | 47,46 | 556,8 | 2475 | 4870 |
| 799 | 3,58 | 42,17 | 489,0 | 2637 | 5111 |
| 799 | 4,12 | 36,66 | 425,0 | 2807 | 5394 |
| 818 | 4,80 | 32,19 | 364,6 | 2944 | 5700 |
| 827 | 5,21 | 29,97 | 335,6 | 3012 | 5873 |
| 846 | 6,25 | 25,57 | 280,0 | 3147 | 6000 |
| 940 | 7,70 | 23,06 | 227,3 | 3224 | 6000 |

IHA32

| Mn ₂ [Nm] | i | Pn ₁ [kW] | n ₂ [rpm] | Fr1 [N] | Fr2 [N] |
|-------------------------|-------|-------------------------|-------------------------|------------|------------|
| 80 | 5,38 | 2,27 | 260,3 | 330 | 1096 |
| 80 | 6,52 | 1,87 | 214,8 | 409 | 1169 |
| 75 | 8,11 | 1,41 | 172,6 | 373 | 1257 |
| 90 | 10,94 | 1,26 | 128,0 | 441 | 1389 |
| 80 | 13,25 | 0,92 | 105,7 | 363 | 1481 |
| 80 | 16,49 | 0,74 | 84,9 | 398 | 1593 |
| 90 | 20,26 | 0,68 | 69,1 | 453 | 1706 |
| 85 | 24,55 | 0,53 | 57,0 | 386 | 1818 |
| 80 | 30,55 | 0,40 | 45,8 | 374 | 1956 |
| 90 | 35,44 | 0,39 | 39,5 | 480 | 2000 |
| 90 | 44,10 | 0,31 | 31,8 | 398 | 2000 |
| 80 | 48,75 | 0,25 | 28,7 | 398 | 2000 |
| 95 | 60,67 | 0,24 | 23,1 | 472 | 2000 |

IHA33

| Mn ₂ [Nm] | i | Pn ₁ [kW] | n ₂ [rpm] | Fr1 [N] | Fr2 [N] |
|-------------------------|--------|-------------------------|-------------------------|------------|------------|
| 100 | 51,32 | 0,30 | 27,3 | 472 | 2000 |
| 100 | 59,65 | 0,26 | 23,5 | 472 | 2000 |
| 100 | 72,27 | 0,22 | 19,4 | 472 | 2000 |
| 100 | 89,94 | 0,17 | 15,6 | 472 | 2000 |
| 100 | 110,51 | 0,14 | 12,7 | 472 | 2000 |
| 100 | 133,88 | 0,12 | 10,5 | 472 | 2000 |
| 100 | 166,61 | 0,09 | 8,4 | 472 | 2000 |
| 100 | 193,30 | 0,08 | 7,2 | 472 | 2000 |
| 100 | 240,55 | 0,06 | 5,8 | 472 | 2000 |
| 100 | 279,07 | 0,06 | 5,0 | 472 | 2000 |
| 100 | 347,29 | 0,04 | 4,0 | 472 | 2000 |

IHA41

| Mn ₂ [Nm] | i | Pn ₁ [kW] | n ₂ [rpm] | Fr1 [N] | Fr2 [N] |
|-------------------------|-------|-------------------------|-------------------------|------------|------------|
| 25 | 1,45 | 2,61 | 966,7 | 330 | 512 |
| 25 | 2,94 | 1,28 | 475,5 | 330 | 648 |
| 30 | 4,75 | 0,95 | 294,7 | 330 | 760 |
| 30 | 5,45 | 0,83 | 256,7 | 330 | 796 |
| 25 | 7,88 | 0,48 | 177,8 | 330 | 900 |
| 20 | 10,83 | 0,28 | 129,2 | 330 | 1001 |

IHA42

| Mn_2 [Nm] | i | Pn_1 [kW] | n2 [rpm] | Fr1 [N] | Fr2 [N] |
|----------------|-------|----------------|-------------|------------|------------|
| 140 | 5,38 | 3,97 | 260,3 | 330 | 2308 |
| 140 | 6,52 | 3,28 | 214,8 | 409 | 2461 |
| 130 | 8,11 | 2,45 | 172,6 | 369 | 2647 |
| 150 | 10,94 | 2,09 | 128,0 | 424 | 2924 |
| 140 | 13,25 | 1,61 | 105,7 | 381 | 3117 |
| 140 | 16,49 | 1,30 | 84,9 | 398 | 3353 |
| 150 | 20,26 | 1,13 | 69,1 | 432 | 3591 |
| 155 | 24,55 | 0,96 | 57,0 | 422 | 3828 |
| 140 | 30,55 | 0,70 | 45,8 | 359 | 4118 |
| 150 | 35,44 | 0,65 | 39,5 | 457 | 4300 |
| 140 | 44,10 | 0,48 | 31,8 | 371 | 4300 |
| 115 | 48,75 | 0,36 | 28,7 | 416 | 4300 |
| 130 | 60,67 | 0,33 | 23,1 | 428 | 4300 |

IHA43

| Mn_2 [Nm] | i | Pn_1 [kW] | n2 [rpm] | Fr1 [N] | Fr2 [N] |
|----------------|--------|----------------|-------------|------------|------------|
| 150 | 51,32 | 0,46 | 27,3 | 427 | 4300 |
| 150 | 59,65 | 0,39 | 23,5 | 426 | 4300 |
| 150 | 72,27 | 0,32 | 19,4 | 409 | 4300 |
| 150 | 89,94 | 0,26 | 15,6 | 398 | 4300 |
| 150 | 110,51 | 0,21 | 12,7 | 403 | 4300 |
| 150 | 133,88 | 0,17 | 10,5 | 409 | 4300 |
| 150 | 166,61 | 0,14 | 8,4 | 398 | 4300 |
| 150 | 193,30 | 0,12 | 7,2 | 427 | 4300 |
| 150 | 240,55 | 0,10 | 5,8 | 398 | 4300 |
| 150 | 279,07 | 0,08 | 5,0 | 427 | 4300 |
| 150 | 347,29 | 0,07 | 4,0 | 398 | 4300 |

IHA51

| Mn_2 [Nm] | i | Pn_1 [kW] | n2 [rpm] | Fr1 [N] | Fr2 [N] |
|----------------|-------|----------------|-------------|------------|------------|
| 40 | 1,45 | 4,17 | 966,7 | 330 | 1410 |
| 40 | 2,94 | 2,05 | 475,5 | 330 | 1786 |
| 50 | 4,75 | 1,59 | 294,7 | 330 | 2095 |
| 50 | 5,45 | 1,39 | 256,7 | 330 | 2194 |
| 40 | 7,88 | 0,77 | 177,8 | 330 | 2479 |
| 25 | 10,83 | 0,35 | 129,2 | 330 | 2757 |

IHA52

| Mn ₂ [Nm] | i | Pn ₁ [kW] | n ₂ [rpm] | Fr1 [N] | Fr2 [N] |
|-------------------------|-------|-------------------------|-------------------------|------------|------------|
| 240 | 5,14 | 7,13 | 272,2 | 550 | 2842 |
| 240 | 6,22 | 5,89 | 225,0 | 682 | 3029 |
| 240 | 7,73 | 4,74 | 181,0 | 664 | 3256 |
| 300 | 9,64 | 4,75 | 145,2 | 827 | 3505 |
| 280 | 11,67 | 3,66 | 120,0 | 636 | 3735 |
| 280 | 14,50 | 2,95 | 96,5 | 664 | 4015 |
| 300 | 16,91 | 2,71 | 82,8 | 758 | 4227 |
| 290 | 20,46 | 2,16 | 68,4 | 659 | 4504 |
| 280 | 25,43 | 1,68 | 55,0 | 641 | 4842 |
| 300 | 29,89 | 1,53 | 46,8 | 752 | 5110 |
| 300 | 36,17 | 1,27 | 38,7 | 682 | 5445 |
| 280 | 44,95 | 0,95 | 31,1 | 620 | 5855 |
| 300 | 49,78 | 0,92 | 28,1 | 798 | 6000 |
| 290 | 61,87 | 0,72 | 22,6 | 642 | 6000 |

IHA53

| Mn ₂ [Nm] | i | Pn ₁ [kW] | n ₂ [rpm] | Fr1 [N] | Fr2 [N] |
|-------------------------|--------|-------------------------|-------------------------|------------|------------|
| 300 | 49,80 | 0,94 | 28,1 | 330 | 6000 |
| 300 | 60,25 | 0,78 | 23,2 | 409 | 6000 |
| 300 | 74,88 | 0,62 | 18,7 | 398 | 6000 |
| 300 | 88,02 | 0,53 | 15,9 | 421 | 6000 |
| 300 | 111,61 | 0,42 | 12,5 | 390 | 6000 |
| 300 | 138,71 | 0,34 | 10,1 | 398 | 6000 |
| 300 | 163,05 | 0,29 | 8,6 | 421 | 6000 |
| 300 | 200,27 | 0,23 | 7,0 | 403 | 6000 |
| 300 | 235,41 | 0,20 | 6,0 | 421 | 6000 |
| 300 | 284,81 | 0,16 | 4,9 | 409 | 6000 |
| 300 | 353,98 | 0,13 | 4,0 | 398 | 6000 |

IHA61

| Mn ₂ [Nm] | i | Pn ₁ [kW] | n ₂ [rpm] | Fr1 [N] | Fr2 [N] |
|-------------------------|-------|-------------------------|-------------------------|------------|------------|
| 90 | 1,33 | 10,20 | 1050,0 | 550 | 2053 |
| 90 | 2,50 | 5,44 | 560,0 | 550 | 2531 |
| 110 | 4,38 | 3,79 | 319,3 | 550 | 3053 |
| 90 | 7,75 | 1,76 | 180,7 | 550 | 3691 |
| 70 | 10,67 | 0,99 | 131,2 | 550 | 4106 |

IHA62

| Mn ₂ [Nm] | i | Pn ₁ [kW] | n ₂ [rpm] | Fr1 [N] | Fr2 [N] |
|-------------------------|-------|-------------------------|-------------------------|------------|------------|
| 380 | 5,14 | 11,28 | 272,2 | 550 | 4195 |
| 380 | 6,22 | 9,33 | 225,0 | 682 | 4470 |
| 380 | 7,73 | 7,50 | 181,0 | 664 | 4806 |
| 460 | 9,64 | 7,28 | 145,2 | 801 | 5173 |
| 440 | 11,67 | 5,76 | 120,0 | 652 | 5512 |
| 420 | 14,50 | 4,42 | 96,5 | 634 | 5926 |
| 500 | 16,91 | 4,51 | 82,8 | 842 | 6238 |
| 460 | 20,46 | 3,43 | 68,4 | 627 | 6647 |
| 430 | 25,43 | 2,58 | 55,0 | 621 | 7147 |
| 450 | 29,89 | 2,30 | 46,8 | 734 | 7543 |
| 470 | 36,17 | 1,98 | 38,7 | 712 | 8000 |
| 440 | 44,95 | 1,49 | 31,1 | 621 | 8000 |
| 370 | 49,78 | 1,14 | 28,1 | 626 | 8000 |
| 440 | 61,87 | 1,09 | 22,6 | 789 | 8000 |

IHA63

| Mn ₂ [Nm] | i | Pn ₁ [kW] | n ₂ [rpm] | Fr1 [N] | Fr2 [N] |
|-------------------------|--------|-------------------------|-------------------------|------------|------------|
| 480 | 49,80 | 1,50 | 28,1 | 330 | 8000 |
| 480 | 60,25 | 1,24 | 23,2 | 409 | 8000 |
| 480 | 74,88 | 1,00 | 18,7 | 398 | 8000 |
| 480 | 88,02 | 0,85 | 15,9 | 421 | 8000 |
| 480 | 111,61 | 0,67 | 12,5 | 390 | 8000 |
| 480 | 138,71 | 0,54 | 10,1 | 398 | 8000 |
| 480 | 163,05 | 0,46 | 8,6 | 421 | 8000 |
| 480 | 200,27 | 0,37 | 7,0 | 403 | 8000 |
| 480 | 235,41 | 0,32 | 6,0 | 421 | 8000 |
| 480 | 284,81 | 0,26 | 4,9 | 409 | 8000 |
| 480 | 353,98 | 0,21 | 4,0 | 398 | 8000 |

IH032

| Mn ₂ [Nm] | i | Pn ₁ [kW] | n ₂ [rpm] | Fr1 [N] | Fr2 [N] |
|-------------------------|-------|-------------------------|-------------------------|------------|------------|
| 95 | 4,70 | 3,09 | 298,1 | 700 | 2996 |
| 105 | 6,23 | 2,57 | 224,8 | 817 | 3285 |
| 125 | 7,76 | 2,46 | 180,3 | 843 | 3410 |
| 130 | 8,87 | 2,24 | 157,9 | 894 | 3572 |
| 140 | 10,14 | 2,11 | 138,0 | 924 | 3694 |
| 145 | 11,76 | 1,88 | 119,0 | 975 | 3902 |
| 170 | 13,72 | 1,89 | 102,0 | 973 | 3927 |
| 170 | 14,66 | 1,77 | 95,5 | 1000 | 4054 |

IH032

| Mn_2 [Nm] | i | Pn_1 [kW] | n_2 [rpm] | $Fr1$ [N] | $Fr2$ [N] |
|----------------|-------|----------------|----------------|--------------|--------------|
| 190 | 16,77 | 1,73 | 83,5 | 1010 | 4113 |
| 200 | 18,20 | 1,68 | 76,9 | 1021 | 4178 |
| 200 | 19,90 | 1,53 | 70,4 | 1054 | 4366 |
| 200 | 22,68 | 1,35 | 61,7 | 1097 | 4654 |
| 200 | 23,83 | 1,28 | 58,7 | 1112 | 4766 |
| 200 | 26,39 | 1,16 | 53,0 | 1140 | 5003 |
| 200 | 29,70 | 1,03 | 47,1 | 1169 | 5287 |
| 200 | 32,89 | 0,93 | 42,6 | 1192 | 5500 |
| 200 | 37,92 | 0,81 | 36,9 | 1220 | 5500 |
| 200 | 41,40 | 0,74 | 33,8 | 1236 | 5500 |
| 200 | 47,25 | 0,65 | 29,6 | 1257 | 5500 |

IH033

| Mn_2 [Nm] | i | Pn_1 [kW] | n_2 [rpm] | $Fr1$ [N] | $Fr2$ [N] |
|----------------|--------|----------------|----------------|--------------|--------------|
| 200 | 53,59 | 0,58 | 26,1 | 1274 | 5500 |
| 200 | 66,78 | 0,47 | 21,0 | 1300 | 5500 |
| 200 | 74,84 | 0,42 | 18,7 | 1311 | 5500 |
| 200 | 99,27 | 0,31 | 14,1 | 1334 | 5500 |
| 200 | 108,05 | 0,29 | 13,0 | 1339 | 5500 |
| 200 | 123,71 | 0,25 | 11,3 | 1348 | 5500 |
| 200 | 143,33 | 0,22 | 9,8 | 1355 | 5500 |
| 200 | 178,61 | 0,17 | 7,8 | 1365 | 5500 |
| 200 | 197,17 | 0,16 | 7,1 | 1369 | 5500 |
| 200 | 245,70 | 0,13 | 5,7 | 1375 | 5500 |

IH042

| Mn_2 [Nm] | i | Pn_1 [kW] | n_2 [rpm] | $Fr1$ [N] | $Fr2$ [N] |
|----------------|-------|----------------|----------------|--------------|--------------|
| 160 | 5,46 | 4,47 | 256,3 | 434 | 3883 |
| 160 | 7,19 | 3,40 | 194,8 | 673 | 4382 |
| 210 | 8,91 | 3,60 | 157,1 | 628 | 4391 |
| 240 | 10,31 | 3,55 | 135,7 | 638 | 4449 |
| 250 | 11,80 | 3,24 | 118,6 | 709 | 4661 |
| 250 | 13,57 | 2,81 | 103,2 | 803 | 4983 |
| 250 | 15,96 | 2,39 | 87,7 | 897 | 5374 |
| 250 | 19,00 | 2,01 | 73,7 | 982 | 5820 |
| 250 | 21,00 | 1,82 | 66,7 | 1024 | 6088 |
| 260 | 23,15 | 1,72 | 60,5 | 1047 | 6274 |
| 260 | 26,04 | 1,52 | 53,8 | 1089 | 6600 |
| 280 | 27,50 | 1,55 | 50,9 | 1083 | 6600 |

IH042

| Mn_2 [Nm] | i | Pn_1 [kW] | n_2 [rpm] | Fr_1 [N] | Fr_2 [N] |
|----------------|-------|----------------|----------------|---------------|---------------|
| 280 | 30,45 | 1,40 | 46,0 | 1116 | 6600 |
| 280 | 34,10 | 1,25 | 41,1 | 1150 | 6600 |
| 280 | 37,76 | 1,13 | 37,1 | 1177 | 6600 |
| 280 | 43,75 | 0,98 | 32,0 | 1211 | 6600 |
| 280 | 47,53 | 0,90 | 29,4 | 1228 | 6600 |
| 280 | 54,25 | 0,79 | 25,8 | 1253 | 6600 |

IH043

| Mn_2 [Nm] | i | Pn_1 [kW] | n_2 [rpm] | Fr_1 [N] | Fr_2 [N] |
|----------------|--------|----------------|----------------|---------------|---------------|
| 300 | 61,83 | 0,76 | 22,6 | 1264 | 6600 |
| 300 | 76,67 | 0,61 | 18,3 | 1296 | 6600 |
| 300 | 87,05 | 0,54 | 16,1 | 1311 | 6600 |
| 300 | 114,55 | 0,41 | 12,2 | 1340 | 6600 |
| 300 | 125,69 | 0,37 | 11,1 | 1347 | 6600 |
| 300 | 142,04 | 0,33 | 9,9 | 1357 | 6600 |
| 300 | 165,38 | 0,28 | 8,5 | 1367 | 6600 |
| 300 | 205,07 | 0,23 | 6,8 | 1379 | 6600 |
| 300 | 227,50 | 0,21 | 6,2 | 1384 | 6600 |
| 300 | 282,10 | 0,17 | 5,0 | 1392 | 6600 |

IH052

| Mn_2 [Nm] | i | Pn_1 [kW] | n_2 [rpm] | Fr_1 [N] | Fr_2 [N] |
|----------------|-------|----------------|----------------|---------------|---------------|
| 260 | 5,73 | 6,93 | 244,4 | 259 | 4808 |
| 290 | 6,89 | 6,42 | 203,1 | 343 | 5024 |
| 340 | 8,53 | 6,09 | 164,2 | 398 | 5202 |
| 370 | 9,56 | 5,91 | 146,4 | 428 | 5292 |
| 390 | 11,51 | 5,17 | 121,6 | 548 | 5654 |
| 430 | 14,24 | 4,61 | 98,3 | 641 | 5993 |
| 450 | 16,59 | 4,14 | 84,4 | 718 | 6324 |
| 460 | 18,00 | 3,90 | 77,8 | 757 | 6513 |
| 460 | 19,97 | 3,52 | 70,1 | 821 | 6852 |
| 470 | 21,67 | 3,31 | 64,6 | 854 | 7058 |
| 470 | 24,71 | 2,90 | 56,7 | 921 | 7514 |
| 490 | 26,18 | 2,86 | 53,5 | 929 | 7588 |
| 490 | 28,44 | 2,63 | 49,2 | 966 | 7892 |
| 490 | 31,52 | 2,37 | 44,4 | 1008 | 8000 |
| 490 | 33,00 | 2,27 | 42,4 | 1026 | 8000 |
| 490 | 38,98 | 1,92 | 35,9 | 1083 | 8000 |
| 490 | 45,36 | 1,65 | 30,9 | 1127 | 8000 |

IH052

| Mn_2 [Nm] | i | Pn_1 [kW] | n_2 [rpm] | Fr_1 [N] | Fr_2 [N] |
|----------------|-------|----------------|----------------|---------------|---------------|
| 490 | 49,13 | 1,52 | 28,5 | 1148 | 8000 |
| 490 | 56,11 | 1,33 | 24,9 | 1179 | 8000 |

IH053

| Mn_2 [Nm] | i | Pn_1 [kW] | n_2 [rpm] | Fr_1 [N] | Fr_2 [N] |
|----------------|--------|----------------|----------------|---------------|---------------|
| 500 | 58,81 | 1,33 | 23,8 | 1185 | 8000 |
| 500 | 72,75 | 1,07 | 19,2 | 1226 | 8000 |
| 500 | 90,51 | 0,86 | 15,5 | 1260 | 8000 |
| 500 | 108,95 | 0,72 | 12,8 | 1283 | 8000 |
| 500 | 134,76 | 0,58 | 10,4 | 1305 | 8000 |
| 500 | 157,29 | 0,50 | 8,9 | 1319 | 8000 |
| 500 | 194,56 | 0,40 | 7,2 | 1334 | 8000 |
| 500 | 216,38 | 0,36 | 6,5 | 1340 | 8000 |
| 500 | 267,65 | 0,29 | 5,2 | 1352 | 8000 |

IH062

| Mn_2 [Nm] | i | Pn_1 [kW] | n_2 [rpm] | Fr_1 [N] | Fr_2 [N] |
|----------------|-------|----------------|----------------|---------------|---------------|
| 500 | 5,38 | 14,21 | 260,5 | 853 | 7772 |
| 550 | 5,93 | 14,15 | 235,9 | 860 | 7839 |
| 550 | 7,39 | 11,36 | 189,4 | 1250 | 8677 |
| 600 | 8,50 | 10,78 | 164,7 | 1332 | 8953 |
| 600 | 9,39 | 9,76 | 149,2 | 1475 | 9371 |
| 650 | 11,69 | 8,49 | 119,8 | 1652 | 10056 |
| 700 | 12,67 | 8,44 | 110,5 | 1660 | 10141 |
| 700 | 14,75 | 7,25 | 94,9 | 1827 | 10881 |
| 800 | 16,29 | 7,50 | 86,0 | 1791 | 10801 |
| 830 | 17,67 | 7,17 | 79,2 | 1837 | 11051 |
| 850 | 20,28 | 6,40 | 69,0 | 1946 | 11682 |
| 850 | 23,27 | 5,58 | 60,2 | 2061 | 12000 |
| 850 | 25,70 | 5,05 | 54,5 | 2134 | 12000 |
| 800 | 29,33 | 4,16 | 47,7 | 2259 | 12000 |
| 850 | 32,00 | 4,06 | 43,8 | 2274 | 12000 |
| 800 | 36,99 | 3,30 | 37,9 | 2379 | 12000 |
| 850 | 40,33 | 3,22 | 34,7 | 2391 | 12000 |
| 850 | 46,06 | 2,82 | 30,4 | 2447 | 12000 |

IH063

| Mn_2 [Nm] | i | Pn_1 [kW] | n_2 [rpm] | Fr_1 [N] | Fr_2 [N] |
|----------------|--------|----------------|----------------|---------------|---------------|
| 850 | 49,45 | 2,68 | 28,3 | 2474 | 12000 |
| 850 | 54,61 | 2,43 | 25,6 | 2509 | 12000 |
| 850 | 68,00 | 1,95 | 20,6 | 2574 | 12000 |
| 850 | 85,82 | 1,54 | 16,3 | 2630 | 12000 |
| 850 | 94,76 | 1,40 | 14,8 | 2650 | 12000 |
| 850 | 118,00 | 1,12 | 11,9 | 2688 | 12000 |
| 850 | 135,40 | 0,98 | 10,3 | 2707 | 12000 |
| 850 | 149,51 | 0,89 | 9,4 | 2720 | 12000 |
| 850 | 170,67 | 0,78 | 8,2 | 2735 | 12000 |
| 850 | 186,18 | 0,71 | 7,5 | 2744 | 12000 |
| 850 | 215,21 | 0,62 | 6,5 | 2757 | 12000 |
| 850 | 234,67 | 0,56 | 6,0 | 2764 | 12000 |
| 850 | 268,00 | 0,49 | 5,2 | 2774 | 12000 |

IH082

| Mn_2 [Nm] | i | Pn_1 [kW] | n_2 [rpm] | Fr_1 [N] | Fr_2 [N] |
|----------------|-------|----------------|----------------|---------------|---------------|
| 700 | 5,39 | 19,84 | 259,8 | 816 | 9756 |
| 700 | 5,95 | 17,98 | 235,4 | 1021 | 10188 |
| 800 | 7,39 | 16,52 | 189,3 | 1182 | 10739 |
| 800 | 8,02 | 15,23 | 174,5 | 1325 | 11135 |
| 900 | 8,85 | 15,53 | 158,2 | 1292 | 11171 |
| 1100 | 11,01 | 15,26 | 127,2 | 1321 | 11409 |
| 1400 | 13,50 | 15,84 | 103,7 | 1258 | 11195 |
| 1500 | 14,90 | 15,38 | 94,0 | 1308 | 11324 |
| 1500 | 16,62 | 13,79 | 84,3 | 1484 | 11998 |
| 1500 | 18,53 | 12,36 | 75,6 | 1641 | 12695 |
| 1600 | 19,38 | 12,60 | 72,2 | 1615 | 12535 |
| 1600 | 21,39 | 11,42 | 65,5 | 1745 | 13197 |
| 1600 | 22,80 | 10,72 | 61,4 | 1824 | 13639 |
| 1600 | 26,60 | 9,19 | 52,6 | 1993 | 14744 |
| 1600 | 27,88 | 8,76 | 50,2 | 2040 | 15093 |
| 1600 | 31,15 | 7,84 | 44,9 | 2141 | 15937 |
| 1600 | 34,38 | 7,11 | 40,7 | 2222 | 16712 |
| 1600 | 38,70 | 6,31 | 36,2 | 2310 | 17681 |
| 1600 | 42,75 | 5,72 | 32,8 | 2376 | 18000 |
| 1600 | 48,13 | 5,08 | 29,1 | 2447 | 18000 |

IH083

| Mn ₂ [Nm] | i | Pn ₁ [kW] | n ₂ [rpm] | Fr1 [N] | Fr2 [N] |
|-------------------------|--------|-------------------------|-------------------------|------------|------------|
| 1600 | 56,53 | 4,41 | 24,8 | 2530 | 18000 |
| 1800 | 71,48 | 3,93 | 19,6 | 2583 | 18000 |
| 1800 | 78,87 | 3,56 | 17,8 | 2623 | 18000 |
| 1800 | 85,56 | 3,28 | 16,4 | 2653 | 18000 |
| 1800 | 98,09 | 2,86 | 14,3 | 2698 | 18000 |
| 1800 | 112,78 | 2,49 | 12,4 | 2739 | 18000 |
| 1800 | 124,44 | 2,26 | 11,2 | 2764 | 18000 |
| 1800 | 142,15 | 1,97 | 9,8 | 2794 | 18000 |
| 1800 | 154,76 | 1,81 | 9,1 | 2812 | 18000 |
| 1800 | 162,35 | 1,73 | 8,6 | 2821 | 18000 |
| 1800 | 179,13 | 1,57 | 7,8 | 2838 | 18000 |
| 1800 | 195,07 | 1,44 | 7,2 | 2852 | 18000 |
| 1800 | 222,78 | 1,26 | 6,3 | 2872 | 18000 |

IH102

| Mn ₂ [Nm] | i | Pn ₁ [kW] | n ₂ [rpm] | Fr1 [N] | Fr2 [N] |
|-------------------------|-------|-------------------------|-------------------------|------------|------------|
| 1800 | 5,26 | 52,23 | 266,0 | 1731 | 10378 |
| 2000 | 6,36 | 48,05 | 220,3 | 1919 | 10737 |
| 2300 | 7,05 | 49,81 | 198,6 | 1840 | 10244 |
| 2500 | 8,27 | 46,14 | 169,2 | 2006 | 10525 |
| 2800 | 9,99 | 42,79 | 140,1 | 2157 | 10686 |
| 3000 | 11,09 | 41,33 | 126,3 | 2223 | 10677 |
| 3100 | 13,32 | 35,53 | 105,1 | 2486 | 11693 |
| 3200 | 16,09 | 30,37 | 87,0 | 2719 | 12836 |
| 3200 | 17,85 | 27,37 | 78,4 | 2854 | 13715 |
| 3200 | 19,85 | 24,62 | 70,5 | 2979 | 14645 |
| 3200 | 21,44 | 22,79 | 65,3 | 3061 | 15343 |
| 3300 | 23,97 | 21,02 | 58,4 | 3141 | 16003 |
| 3300 | 25,89 | 19,46 | 54,1 | 3212 | 16747 |
| 3300 | 28,73 | 17,54 | 48,7 | 3299 | 17778 |
| 3200 | 30,72 | 15,91 | 45,6 | 3372 | 18842 |
| 3200 | 34,20 | 14,29 | 40,9 | 3446 | 19969 |
| 2800 | 38,45 | 11,12 | 36,4 | 3589 | 22000 |
| 3300 | 41,30 | 12,20 | 33,9 | 3540 | 21674 |
| 3300 | 45,82 | 11,00 | 30,6 | 3594 | 22000 |
| 3300 | 51,52 | 9,78 | 27,2 | 3649 | 22000 |

IH103

| Mn_2 [Nm] | i | Pn_1 [kW] | n_2 [rpm] | Fr_1 [N] | Fr_2 [N] |
|----------------|--------|----------------|----------------|---------------|---------------|
| 3500 | 55,47 | 9,84 | 25,2 | 3656 | 22000 |
| 3500 | 69,69 | 7,83 | 20,1 | 3745 | 22000 |
| 3500 | 79,82 | 6,84 | 17,5 | 3789 | 22000 |
| 3500 | 84,16 | 6,49 | 16,6 | 3804 | 22000 |
| 3500 | 93,36 | 5,85 | 15,0 | 3833 | 22000 |
| 3500 | 100,07 | 5,45 | 14,0 | 3850 | 22000 |
| 3500 | 120,84 | 4,52 | 11,6 | 3892 | 22000 |
| 3500 | 134,06 | 4,07 | 10,4 | 3911 | 22000 |
| 3500 | 143,42 | 3,81 | 9,8 | 3923 | 22000 |
| 3500 | 160,82 | 3,39 | 8,7 | 3941 | 22000 |
| 3500 | 181,07 | 3,01 | 7,7 | 3958 | 22000 |
| 3500 | 194,21 | 2,81 | 7,2 | 3967 | 22000 |
| 3500 | 215,45 | 2,53 | 6,5 | 3979 | 22000 |
| 3600 | 242,59 | 2,31 | 5,8 | 3989 | 22000 |

IH122

| Mn_2 [Nm] | i | Pn_1 [kW] | n_2 [rpm] | Fr_1 [N] | Fr_2 [N] |
|----------------|-------|----------------|----------------|---------------|---------------|
| 3000 | 5,27 | 86,85 | 265,4 | 778 | 15066 |
| 3200 | 5,78 | 84,61 | 242,4 | 862 | 15180 |
| 3600 | 7,05 | 77,99 | 198,6 | 1110 | 15643 |
| 3700 | 7,74 | 72,98 | 180,8 | 1297 | 16186 |
| 3800 | 8,48 | 68,46 | 165,2 | 1467 | 16726 |
| 4000 | 10,35 | 59,04 | 135,3 | 1819 | 18071 |
| 4400 | 12,66 | 53,06 | 110,6 | 2043 | 18939 |
| 4600 | 13,86 | 50,67 | 101,0 | 2132 | 19311 |
| 4800 | 16,92 | 43,32 | 82,7 | 2408 | 21011 |
| 5000 | 19,32 | 39,52 | 72,5 | 2550 | 22015 |
| 5000 | 20,57 | 37,12 | 68,1 | 2640 | 22820 |
| 5000 | 22,52 | 33,90 | 62,2 | 2760 | 24014 |
| 5000 | 24,47 | 31,21 | 57,2 | 2861 | 25137 |
| 5000 | 27,49 | 27,77 | 50,9 | 2989 | 26770 |
| 5000 | 29,86 | 25,57 | 46,9 | 3072 | 27970 |
| 5000 | 33,00 | 23,14 | 42,4 | 3163 | 29461 |
| 5000 | 36,13 | 21,13 | 38,8 | 3238 | 30000 |
| 5000 | 44,10 | 17,31 | 31,8 | 3381 | 30000 |

IH123

| Mn_2 [Nm] | i | Pn_1 [kW] | n_2 [rpm] | Fr_1 [N] | Fr_2 [N] |
|----------------|-------|----------------|----------------|---------------|---------------|
| 5000 | 45,77 | 17,04 | 30,6 | 3405 | 30000 |

IH123

| Mn ₂ [Nm] | i | Pn ₁ [kW] | n ₂ [rpm] | Fr1 [N] | Fr2 [N] |
|-------------------------|--------|-------------------------|-------------------------|------------|------------|
| 5000 | 55,87 | 13,96 | 25,1 | 3518 | 30000 |
| 5000 | 67,32 | 11,58 | 20,8 | 3605 | 30000 |
| 5000 | 73,71 | 10,58 | 19,0 | 3641 | 30000 |
| 5000 | 83,34 | 9,36 | 16,8 | 3686 | 30000 |
| 5000 | 89,97 | 8,67 | 15,6 | 3711 | 30000 |
| 5000 | 100,29 | 7,78 | 14,0 | 3744 | 30000 |
| 5000 | 108,34 | 7,20 | 12,9 | 3765 | 30000 |
| 5000 | 118,62 | 6,57 | 11,8 | 3788 | 30000 |
| 5000 | 128,18 | 6,08 | 10,9 | 3806 | 30000 |
| 5000 | 144,79 | 5,39 | 9,7 | 3832 | 30000 |
| 5000 | 155,22 | 5,02 | 9,0 | 3845 | 30000 |
| 5000 | 172,80 | 4,51 | 8,1 | 3864 | 30000 |
| 5000 | 189,19 | 4,12 | 7,4 | 3878 | 30000 |
| 5000 | 207,43 | 3,76 | 6,8 | 3891 | 30000 |
| 5000 | 230,92 | 3,38 | 6,1 | 3905 | 30000 |

IH142

| Mn ₂ [Nm] | i | Pn ₁ [kW] | n ₂ [rpm] | Fr1 [N] | Fr2 [N] |
|-------------------------|-------|-------------------------|-------------------------|------------|------------|
| 4600 | 5,27 | 133,18 | 265,4 | 5102 | 19072 |
| 4900 | 6,36 | 117,74 | 220,3 | 5730 | 20279 |
| 5000 | 7,04 | 108,41 | 198,8 | 6109 | 21198 |
| 5300 | 7,84 | 103,19 | 178,5 | 6321 | 21620 |
| 6500 | 9,45 | 105,04 | 148,2 | 6247 | 20432 |
| 7200 | 10,47 | 104,98 | 133,7 | 6249 | 19728 |
| 7300 | 13,07 | 85,28 | 107,1 | 7050 | 22593 |
| 7800 | 15,75 | 75,63 | 88,9 | 7443 | 23946 |
| 7900 | 17,45 | 69,11 | 80,2 | 7708 | 25294 |
| 8000 | 20,04 | 60,95 | 69,8 | 8040 | 27303 |
| 8000 | 24,15 | 50,59 | 58,0 | 8462 | 30588 |
| 8000 | 26,76 | 45,65 | 52,3 | 8663 | 32488 |
| 8000 | 32,24 | 37,89 | 43,4 | 8978 | 36102 |
| 8000 | 38,85 | 31,45 | 36,0 | 9240 | 39950 |
| 8000 | 43,05 | 28,37 | 32,5 | 9365 | 42176 |

IH143

| Mn ₂ [Nm] | i | Pn ₁ [kW] | n ₂ [rpm] | Fr1 [N] | Fr2 [N] |
|-------------------------|-------|-------------------------|-------------------------|------------|------------|
| 8000 | 48,35 | 25,81 | 29,0 | 9492 | 44781 |
| 8000 | 53,53 | 23,31 | 26,1 | 9591 | 47153 |
| 8000 | 59,22 | 21,07 | 23,6 | 9680 | 49587 |

IH143

| Mn_2 [Nm] | i | Pn_1 [kW] | n_2 [rpm] | Fr_1 [N] | Fr_2 [N] |
|----------------|--------|----------------|----------------|---------------|---------------|
| 8000 | 62,99 | 19,81 | 22,2 | 9731 | 51117 |
| 8000 | 71,35 | 17,49 | 19,6 | 9823 | 54301 |
| 8000 | 79,07 | 15,78 | 17,7 | 9891 | 55000 |
| 8000 | 86,43 | 14,43 | 16,2 | 9945 | 55000 |
| 8000 | 96,21 | 12,97 | 14,6 | 10003 | 55000 |
| 8000 | 104,51 | 11,94 | 13,4 | 10044 | 55000 |
| 8000 | 115,92 | 10,76 | 12,1 | 10091 | 55000 |
| 8000 | 128,47 | 9,71 | 10,9 | 10133 | 55000 |
| 8000 | 139,55 | 8,94 | 10,0 | 10164 | 55000 |
| 8000 | 154,33 | 8,08 | 9,1 | 10198 | 55000 |
| 8000 | 185,96 | 6,71 | 7,5 | 10252 | 55000 |
| 8000 | 206,08 | 6,05 | 6,8 | 10279 | 55000 |

IHR041

| Mn_2 [Nm] | i | Pn_1 [kW] | n_2 [rpm] | Fr_1 [N] | Fr_2 [N] |
|----------------|------|----------------|----------------|---------------|---------------|
| 28 | 1,44 | 2,94 | 973,9 | 951 | 624 |
| 28 | 2,00 | 2,12 | 700,0 | 1069 | 711 |
| 34 | 2,55 | 2,02 | 550,0 | 1082 | 754 |
| 34 | 2,71 | 1,89 | 515,8 | 1100 | 774 |
| 44 | 3,11 | 2,14 | 450,9 | 1065 | 770 |
| 45 | 3,59 | 1,90 | 390,2 | 1100 | 813 |
| 45 | 4,20 | 1,62 | 333,3 | 1139 | 869 |
| 45 | 5,00 | 1,36 | 280,0 | 1176 | 933 |
| 50 | 5,50 | 1,37 | 254,6 | 1174 | 947 |
| 50 | 6,09 | 1,24 | 229,8 | 1193 | 988 |
| 50 | 7,67 | 0,99 | 182,6 | 1230 | 1000 |
| 55 | 8,75 | 0,95 | 160,0 | 1235 | 1000 |

IHR051

| Mn_2 [Nm] | i | Pn_1 [kW] | n_2 [rpm] | Fr_1 [N] | Fr_2 [N] |
|----------------|------|----------------|----------------|---------------|---------------|
| 45 | 1,27 | 5,34 | 1100,0 | 754 | 1570 |
| 65 | 1,42 | 6,92 | 986,4 | 566 | 1518 |
| 65 | 2,13 | 4,62 | 658,8 | 841 | 1793 |
| 75 | 2,57 | 4,41 | 544,4 | 866 | 1876 |
| 85 | 3,17 | 4,06 | 442,1 | 908 | 1983 |
| 90 | 3,69 | 3,69 | 379,7 | 952 | 2083 |
| 90 | 4,00 | 3,40 | 350,0 | 987 | 2155 |
| 95 | 4,77 | 3,01 | 293,6 | 1033 | 2288 |
| 100 | 5,25 | 2,88 | 266,7 | 1049 | 2351 |

IHR051

| Mn_2 [Nm] | i | Pn_1 [kW] | n2 [rpm] | Fr1 [N] | Fr2 [N] |
|----------------|------|----------------|-------------|------------|------------|
| 100 | 5,82 | 2,60 | 240,6 | 1083 | 2454 |
| 100 | 7,33 | 2,06 | 190,9 | 1147 | 2500 |
| 100 | 8,38 | 1,80 | 167,2 | 1178 | 2500 |

IHR061

| Mn_2 [Nm] | i | Pn_1 [kW] | n2 [rpm] | Fr1 [N] | Fr2 [N] |
|----------------|------|----------------|-------------|------------|------------|
| 100 | 1,34 | 11,25 | 1041,9 | 1874 | 2277 |
| 130 | 2,13 | 9,25 | 658,8 | 2070 | 2600 |
| 140 | 2,57 | 8,23 | 544,4 | 2170 | 2764 |
| 140 | 3,17 | 6,68 | 442,1 | 2321 | 3003 |
| 150 | 3,69 | 6,15 | 379,7 | 2374 | 3149 |
| 150 | 4,00 | 5,67 | 350,0 | 2421 | 3252 |
| 160 | 4,77 | 5,07 | 293,6 | 2479 | 3444 |
| 170 | 5,25 | 4,89 | 266,7 | 2496 | 3537 |
| 170 | 5,82 | 4,42 | 240,6 | 2543 | 3684 |
| 170 | 7,33 | 3,50 | 190,9 | 2632 | 3700 |
| 170 | 8,38 | 3,07 | 167,2 | 2675 | 3700 |

IHR081

| Mn_2 [Nm] | i | Pn_1 [kW] | n2 [rpm] | Fr1 [N] | Fr2 [N] |
|----------------|------|----------------|-------------|------------|------------|
| 220 | 1,30 | 25,63 | 1079,2 | 711 | 2454 |
| 240 | 1,43 | 25,39 | 980,0 | 733 | 2507 |
| 250 | 1,93 | 19,57 | 725,0 | 1262 | 2804 |
| 295 | 2,54 | 17,54 | 550,8 | 1446 | 3029 |
| 315 | 3,25 | 14,65 | 430,8 | 1708 | 3298 |
| 320 | 3,72 | 12,99 | 376,1 | 1859 | 3471 |
| 320 | 4,00 | 12,09 | 350,0 | 1941 | 3572 |
| 320 | 4,67 | 10,36 | 300,0 | 2098 | 3796 |
| 330 | 5,54 | 9,00 | 252,8 | 2221 | 4000 |
| 340 | 6,08 | 8,45 | 230,1 | 2272 | 4000 |
| 350 | 7,50 | 7,05 | 186,7 | 2398 | 4000 |
| 350 | 8,44 | 6,26 | 165,8 | 2470 | 4000 |

IHR101

| Mn_2 [Nm] | i | Pn_1 [kW] | n2 [rpm] | Fr1 [N] | Fr2 [N] |
|----------------|------|----------------|-------------|------------|------------|
| 440 | 1,29 | 51,44 | 1083,0 | 1601 | 3010 |
| 480 | 1,41 | 51,44 | 992,7 | 1601 | 3061 |

IHR101

| Mn_2 [Nm] | i | Pn_1 [kW] | n_2 [rpm] | Fr_1 [N] | Fr_2 [N] |
|----------------|------|----------------|----------------|---------------|---------------|
| 480 | 2,03 | 35,70 | 688,9 | 2324 | 3544 |
| 575 | 2,48 | 35,02 | 564,2 | 2356 | 3702 |
| 610 | 3,27 | 28,17 | 427,8 | 2670 | 4088 |
| 610 | 3,70 | 24,92 | 378,4 | 2820 | 4294 |
| 610 | 4,22 | 21,83 | 331,6 | 2961 | 4525 |
| 620 | 4,88 | 19,22 | 287,2 | 3081 | 4775 |
| 620 | 5,27 | 17,79 | 265,8 | 3147 | 4922 |
| 640 | 6,23 | 15,52 | 224,7 | 3251 | 5000 |
| 650 | 7,55 | 13,02 | 185,5 | 3366 | 5000 |
| 650 | 8,40 | 11,69 | 166,7 | 3427 | 5000 |

IHR121

| Mn_2 [Nm] | i | Pn_1 [kW] | n_2 [rpm] | Fr_1 [N] | Fr_2 [N] |
|----------------|------|----------------|----------------|---------------|---------------|
| 680 | 1,23 | 83,50 | 1137,5 | 727 | 3780 |
| 740 | 1,42 | 78,94 | 988,2 | 902 | 3934 |
| 740 | 1,81 | 61,91 | 775,0 | 1556 | 4329 |
| 780 | 2,00 | 58,94 | 700,0 | 1670 | 4463 |
| 820 | 2,48 | 49,97 | 564,5 | 2014 | 4813 |
| 820 | 2,95 | 41,94 | 473,9 | 2322 | 5152 |
| 840 | 3,14 | 40,39 | 445,4 | 2382 | 5257 |
| 850 | 3,58 | 35,89 | 391,2 | 2555 | 5517 |
| 850 | 4,12 | 31,20 | 340,0 | 2735 | 5821 |
| 870 | 4,80 | 27,39 | 291,7 | 2881 | 6000 |
| 880 | 5,21 | 25,51 | 268,5 | 2953 | 6000 |
| 900 | 6,25 | 21,76 | 224,0 | 3097 | 6000 |
| 1000 | 7,70 | 19,63 | 181,8 | 3179 | 6000 |

IHA32

| Mn_2 [Nm] | i | Pn_1 [kW] | n_2 [rpm] | Fr_1 [N] | Fr_2 [N] |
|----------------|-------|----------------|----------------|---------------|---------------|
| 82 | 5,38 | 1,88 | 211,9 | 330 | 1174 |
| 82 | 6,52 | 1,55 | 174,9 | 409 | 1252 |
| 77 | 8,11 | 1,17 | 140,6 | 373 | 1346 |
| 92 | 10,94 | 1,04 | 104,2 | 441 | 1487 |
| 82 | 13,25 | 0,76 | 86,0 | 363 | 1586 |
| 82 | 16,49 | 0,61 | 69,1 | 398 | 1705 |
| 92 | 20,26 | 0,56 | 56,3 | 453 | 1827 |
| 87 | 24,55 | 0,44 | 46,4 | 386 | 1947 |
| 82 | 30,55 | 0,33 | 37,3 | 374 | 2000 |
| 92 | 35,44 | 0,32 | 32,2 | 480 | 2000 |
| 92 | 44,10 | 0,26 | 25,9 | 398 | 2000 |
| 82 | 48,75 | 0,21 | 23,4 | 398 | 2000 |
| 97 | 60,67 | 0,20 | 18,8 | 472 | 2000 |

IHA33

| Mn_2 [Nm] | i | Pn_1 [kW] | n_2 [rpm] | Fr_1 [N] | Fr_2 [N] |
|----------------|--------|----------------|----------------|---------------|---------------|
| 103 | 51,32 | 0,25 | 22,2 | 472 | 2000 |
| 103 | 59,65 | 0,22 | 19,1 | 472 | 2000 |
| 103 | 72,27 | 0,18 | 15,8 | 472 | 2000 |
| 103 | 89,94 | 0,14 | 12,7 | 472 | 2000 |
| 103 | 110,51 | 0,12 | 10,3 | 472 | 2000 |
| 103 | 133,88 | 0,10 | 8,5 | 472 | 2000 |
| 103 | 166,61 | 0,08 | 6,8 | 472 | 2000 |
| 103 | 193,30 | 0,07 | 5,9 | 472 | 2000 |
| 103 | 240,55 | 0,05 | 4,7 | 472 | 2000 |
| 103 | 279,07 | 0,05 | 4,1 | 472 | 2000 |
| 103 | 347,29 | 0,04 | 3,3 | 472 | 2000 |

IHA41

| Mn_2 [Nm] | i | Pn_1 [kW] | n_2 [rpm] | Fr_1 [N] | Fr_2 [N] |
|----------------|-------|----------------|----------------|---------------|---------------|
| 26 | 1,45 | 2,16 | 787,1 | 330 | 548 |
| 26 | 2,94 | 1,06 | 387,2 | 330 | 694 |
| 31 | 4,75 | 0,79 | 240,0 | 330 | 814 |
| 31 | 5,45 | 0,69 | 209,0 | 330 | 852 |
| 26 | 7,88 | 0,40 | 144,8 | 330 | 963 |
| 21 | 10,83 | 0,23 | 105,2 | 330 | 1072 |

IHA42

| Mn_2 [Nm] | i | Pn_1 [kW] | n2 [rpm] | Fr1 [N] | Fr2 [N] |
|----------------|-------|----------------|-------------|------------|------------|
| 144 | 5,38 | 3,28 | 211,9 | 330 | 2472 |
| 144 | 6,52 | 2,71 | 174,9 | 409 | 2635 |
| 133 | 8,11 | 2,02 | 140,6 | 369 | 2834 |
| 154 | 10,94 | 1,73 | 104,2 | 424 | 3131 |
| 144 | 13,25 | 1,33 | 86,0 | 381 | 3338 |
| 144 | 16,49 | 1,07 | 69,1 | 398 | 3590 |
| 154 | 20,26 | 0,93 | 56,3 | 432 | 3846 |
| 159 | 24,55 | 0,80 | 46,4 | 422 | 4100 |
| 144 | 30,55 | 0,58 | 37,3 | 359 | 4300 |
| 154 | 35,44 | 0,53 | 32,2 | 457 | 4300 |
| 144 | 44,10 | 0,40 | 25,9 | 371 | 4300 |
| 118 | 48,75 | 0,30 | 23,4 | 416 | 4300 |
| 133 | 60,67 | 0,27 | 18,8 | 428 | 4300 |

IHA43

| Mn_2 [Nm] | i | Pn_1 [kW] | n2 [rpm] | Fr1 [N] | Fr2 [N] |
|----------------|--------|----------------|-------------|------------|------------|
| 154 | 51,32 | 0,38 | 22,2 | 427 | 4300 |
| 154 | 59,65 | 0,32 | 19,1 | 426 | 4300 |
| 154 | 72,27 | 0,27 | 15,8 | 409 | 4300 |
| 154 | 89,94 | 0,21 | 12,7 | 398 | 4300 |
| 154 | 110,51 | 0,17 | 10,3 | 403 | 4300 |
| 154 | 133,88 | 0,14 | 8,5 | 409 | 4300 |
| 154 | 166,61 | 0,12 | 6,8 | 398 | 4300 |
| 154 | 193,30 | 0,10 | 5,9 | 427 | 4300 |
| 154 | 240,55 | 0,08 | 4,7 | 398 | 4300 |
| 154 | 279,07 | 0,07 | 4,1 | 427 | 4300 |
| 154 | 347,29 | 0,06 | 3,3 | 398 | 4300 |

IHA51

| Mn_2 [Nm] | i | Pn_1 [kW] | n2 [rpm] | Fr1 [N] | Fr2 [N] |
|----------------|-------|----------------|-------------|------------|------------|
| 41 | 1,45 | 3,45 | 787,1 | 330 | 1510 |
| 41 | 2,94 | 1,70 | 387,2 | 330 | 1913 |
| 51 | 4,75 | 1,31 | 240,0 | 330 | 2243 |
| 51 | 5,45 | 1,14 | 209,0 | 330 | 2349 |
| 41 | 7,88 | 0,63 | 144,8 | 330 | 2655 |
| 26 | 10,83 | 0,29 | 105,2 | 330 | 2953 |

IHA52

| Mn ₂ [Nm] | i | Pn ₁ [kW] | n ₂ [rpm] | Fr1 [N] | Fr2 [N] |
|-------------------------|-------|-------------------------|-------------------------|------------|------------|
| 246 | 5,14 | 5,89 | 221,7 | 550 | 3044 |
| 246 | 6,22 | 4,87 | 183,2 | 682 | 3243 |
| 246 | 7,73 | 3,92 | 147,4 | 664 | 3487 |
| 308 | 9,64 | 3,93 | 118,2 | 827 | 3753 |
| 287 | 11,67 | 3,03 | 97,7 | 636 | 3999 |
| 287 | 14,50 | 2,44 | 78,6 | 664 | 4300 |
| 308 | 16,91 | 2,24 | 67,4 | 758 | 4526 |
| 297 | 20,46 | 1,79 | 55,7 | 659 | 4823 |
| 287 | 25,43 | 1,39 | 44,8 | 641 | 5185 |
| 308 | 29,89 | 1,27 | 38,1 | 752 | 5472 |
| 308 | 36,17 | 1,05 | 31,5 | 682 | 5831 |
| 287 | 44,95 | 0,79 | 25,4 | 620 | 6000 |
| 308 | 49,78 | 0,76 | 22,9 | 798 | 6000 |
| 297 | 61,87 | 0,59 | 18,4 | 642 | 6000 |

IHA53

| Mn ₂ [Nm] | i | Pn ₁ [kW] | n ₂ [rpm] | Fr1 [N] | Fr2 [N] |
|-------------------------|--------|-------------------------|-------------------------|------------|------------|
| 308 | 49,80 | 0,78 | 22,9 | 330 | 6000 |
| 308 | 60,25 | 0,64 | 18,9 | 409 | 6000 |
| 308 | 74,88 | 0,52 | 15,2 | 398 | 6000 |
| 308 | 88,02 | 0,44 | 12,9 | 421 | 6000 |
| 308 | 111,61 | 0,35 | 10,2 | 390 | 6000 |
| 308 | 138,71 | 0,28 | 8,2 | 398 | 6000 |
| 308 | 163,05 | 0,24 | 7,0 | 421 | 6000 |
| 308 | 200,27 | 0,19 | 5,7 | 403 | 6000 |
| 308 | 235,41 | 0,16 | 4,8 | 421 | 6000 |
| 308 | 284,81 | 0,14 | 4,0 | 409 | 6000 |
| 308 | 353,98 | 0,11 | 3,2 | 398 | 6000 |

IHA61

| Mn ₂ [Nm] | i | Pn ₁ [kW] | n ₂ [rpm] | Fr1 [N] | Fr2 [N] |
|-------------------------|-------|-------------------------|-------------------------|------------|------------|
| 92 | 1,33 | 8,43 | 855,0 | 550 | 2198 |
| 92 | 2,50 | 4,50 | 456,0 | 550 | 2711 |
| 113 | 4,38 | 3,13 | 260,0 | 550 | 3269 |
| 92 | 7,75 | 1,45 | 147,1 | 550 | 3953 |
| 72 | 10,67 | 0,82 | 106,9 | 550 | 4397 |

IHA62

| Mn ₂ [Nm] | i | Pn ₁ [kW] | n ₂ [rpm] | Fr1 [N] | Fr2 [N] |
|-------------------------|-------|-------------------------|-------------------------|------------|------------|
| 390 | 5,14 | 9,32 | 221,7 | 550 | 4492 |
| 390 | 6,22 | 7,71 | 183,2 | 682 | 4787 |
| 390 | 7,73 | 6,20 | 147,4 | 664 | 5147 |
| 472 | 9,64 | 6,02 | 118,2 | 801 | 5540 |
| 451 | 11,67 | 4,76 | 97,7 | 652 | 5903 |
| 431 | 14,50 | 3,66 | 78,6 | 634 | 6346 |
| 513 | 16,91 | 3,73 | 67,4 | 842 | 6681 |
| 472 | 20,46 | 2,84 | 55,7 | 627 | 7119 |
| 441 | 25,43 | 2,13 | 44,8 | 621 | 7654 |
| 461 | 29,89 | 1,90 | 38,1 | 734 | 8000 |
| 482 | 36,17 | 1,64 | 31,5 | 712 | 8000 |
| 451 | 44,95 | 1,24 | 25,4 | 621 | 8000 |
| 379 | 49,78 | 0,94 | 22,9 | 626 | 8000 |
| 451 | 61,87 | 0,90 | 18,4 | 789 | 8000 |

IHA63

| Mn ₂ [Nm] | i | Pn ₁ [kW] | n ₂ [rpm] | Fr1 [N] | Fr2 [N] |
|-------------------------|--------|-------------------------|-------------------------|------------|------------|
| 492 | 49,80 | 1,24 | 22,9 | 330 | 8000 |
| 492 | 60,25 | 1,03 | 18,9 | 409 | 8000 |
| 492 | 74,88 | 0,83 | 15,2 | 398 | 8000 |
| 492 | 88,02 | 0,70 | 12,9 | 421 | 8000 |
| 492 | 111,61 | 0,55 | 10,2 | 390 | 8000 |
| 492 | 138,71 | 0,45 | 8,2 | 398 | 8000 |
| 492 | 163,05 | 0,38 | 7,0 | 421 | 8000 |
| 492 | 200,27 | 0,31 | 5,7 | 403 | 8000 |
| 492 | 235,41 | 0,26 | 4,8 | 421 | 8000 |
| 492 | 284,81 | 0,22 | 4,0 | 409 | 8000 |
| 492 | 353,98 | 0,17 | 3,2 | 398 | 8000 |

IH032

| Mn ₂ [Nm] | i | Pn ₁ [kW] | n ₂ [rpm] | Fr1 [N] | Fr2 [N] |
|-------------------------|-------|-------------------------|-------------------------|------------|------------|
| 97 | 4,70 | 2,55 | 242,8 | 682 | 3253 |
| 108 | 6,23 | 2,13 | 183,0 | 803 | 3568 |
| 128 | 7,76 | 2,03 | 146,9 | 829 | 3712 |
| 133 | 8,87 | 1,85 | 128,6 | 881 | 3887 |
| 144 | 10,14 | 1,74 | 112,4 | 912 | 4022 |
| 149 | 11,76 | 1,56 | 96,9 | 964 | 4248 |
| 174 | 13,72 | 1,56 | 83,1 | 962 | 4287 |
| 174 | 14,66 | 1,46 | 77,8 | 990 | 4422 |

IH032

| Mn_2 [Nm] | i | Pn_1 [kW] | n_2 [rpm] | Fr_1 [N] | Fr_2 [N] |
|----------------|-------|----------------|----------------|---------------|---------------|
| 195 | 16,77 | 1,43 | 68,0 | 1000 | 4495 |
| 205 | 18,20 | 1,39 | 62,6 | 1012 | 4569 |
| 205 | 19,90 | 1,27 | 57,3 | 1045 | 4771 |
| 205 | 22,68 | 1,11 | 50,3 | 1089 | 5079 |
| 205 | 23,83 | 1,06 | 47,8 | 1105 | 5199 |
| 205 | 26,39 | 0,96 | 43,2 | 1134 | 5453 |
| 205 | 29,70 | 0,85 | 38,4 | 1164 | 5500 |
| 205 | 32,89 | 0,77 | 34,7 | 1187 | 5500 |
| 205 | 37,92 | 0,67 | 30,1 | 1216 | 5500 |
| 205 | 41,40 | 0,61 | 27,5 | 1232 | 5500 |
| 205 | 47,25 | 0,53 | 24,1 | 1253 | 5500 |

IH033

| Mn_2 [Nm] | i | Pn_1 [kW] | n_2 [rpm] | Fr_1 [N] | Fr_2 [N] |
|----------------|--------|----------------|----------------|---------------|---------------|
| 205 | 53,59 | 0,48 | 21,3 | 1271 | 5500 |
| 205 | 66,78 | 0,39 | 17,1 | 1297 | 5500 |
| 205 | 74,84 | 0,34 | 15,2 | 1308 | 5500 |
| 205 | 99,27 | 0,26 | 11,5 | 1332 | 5500 |
| 205 | 108,05 | 0,24 | 10,6 | 1338 | 5500 |
| 205 | 123,71 | 0,21 | 9,2 | 1346 | 5500 |
| 205 | 143,33 | 0,18 | 8,0 | 1354 | 5500 |
| 205 | 178,61 | 0,14 | 6,4 | 1364 | 5500 |
| 205 | 197,17 | 0,13 | 5,8 | 1368 | 5500 |
| 205 | 245,70 | 0,10 | 4,6 | 1375 | 5500 |

IH042

| Mn_2 [Nm] | i | Pn_1 [kW] | n_2 [rpm] | Fr_1 [N] | Fr_2 [N] |
|----------------|-------|----------------|----------------|---------------|---------------|
| 164 | 5,46 | 3,70 | 208,7 | 409 | 4219 |
| 164 | 7,19 | 2,81 | 158,6 | 654 | 4753 |
| 215 | 8,91 | 2,97 | 127,9 | 608 | 4783 |
| 246 | 10,31 | 2,94 | 110,5 | 619 | 4855 |
| 256 | 11,80 | 2,67 | 96,6 | 691 | 5087 |
| 256 | 13,57 | 2,32 | 84,0 | 787 | 5431 |
| 256 | 15,96 | 1,98 | 71,4 | 883 | 5850 |
| 256 | 19,00 | 1,66 | 60,0 | 971 | 6328 |
| 256 | 21,00 | 1,50 | 54,3 | 1014 | 6600 |
| 267 | 23,15 | 1,42 | 49,2 | 1038 | 6600 |
| 267 | 26,04 | 1,26 | 43,8 | 1081 | 6600 |
| 287 | 27,50 | 1,28 | 41,5 | 1074 | 6600 |

IH042

| Mn ₂ [Nm] | i | Pn ₁ [kW] | n ₂ [rpm] | Fr1 [N] | Fr2 [N] |
|-------------------------|-------|-------------------------|-------------------------|------------|------------|
| 287 | 30,45 | 1,16 | 37,4 | 1109 | 6600 |
| 287 | 34,10 | 1,04 | 33,4 | 1143 | 6600 |
| 287 | 37,76 | 0,94 | 30,2 | 1170 | 6600 |
| 287 | 43,75 | 0,81 | 26,1 | 1206 | 6600 |
| 287 | 47,53 | 0,74 | 24,0 | 1223 | 6600 |
| 287 | 54,25 | 0,65 | 21,0 | 1249 | 6600 |

IH043

| Mn ₂ [Nm] | i | Pn ₁ [kW] | n ₂ [rpm] | Fr1 [N] | Fr2 [N] |
|-------------------------|--------|-------------------------|-------------------------|------------|------------|
| 308 | 61,83 | 0,63 | 18,4 | 1260 | 6600 |
| 308 | 76,67 | 0,50 | 14,9 | 1292 | 6600 |
| 308 | 87,05 | 0,44 | 13,1 | 1309 | 6600 |
| 308 | 114,55 | 0,34 | 9,9 | 1337 | 6600 |
| 308 | 125,69 | 0,31 | 9,1 | 1345 | 6600 |
| 308 | 142,04 | 0,27 | 8,0 | 1355 | 6600 |
| 308 | 165,38 | 0,23 | 6,9 | 1365 | 6600 |
| 308 | 205,07 | 0,19 | 5,6 | 1378 | 6600 |
| 308 | 227,50 | 0,17 | 5,0 | 1383 | 6600 |
| 308 | 282,10 | 0,14 | 4,0 | 1391 | 6600 |

IH052

| Mn ₂ [Nm] | i | Pn ₁ [kW] | n ₂ [rpm] | Fr1 [N] | Fr2 [N] |
|-------------------------|-------|-------------------------|-------------------------|------------|------------|
| 267 | 5,73 | 5,73 | 199,1 | 231 | 5228 |
| 297 | 6,89 | 5,31 | 165,4 | 317 | 5469 |
| 349 | 8,53 | 5,03 | 133,7 | 373 | 5675 |
| 379 | 9,56 | 4,88 | 119,2 | 403 | 5781 |
| 400 | 11,51 | 4,28 | 99,0 | 527 | 6174 |
| 441 | 14,24 | 3,81 | 80,1 | 622 | 6550 |
| 461 | 16,59 | 3,42 | 68,7 | 701 | 6910 |
| 472 | 18,00 | 3,22 | 63,3 | 741 | 7116 |
| 472 | 19,97 | 2,91 | 57,1 | 806 | 7478 |
| 482 | 21,67 | 2,74 | 52,6 | 841 | 7702 |
| 482 | 24,71 | 2,40 | 46,1 | 909 | 8000 |
| 502 | 26,18 | 2,36 | 43,5 | 917 | 8000 |
| 502 | 28,44 | 2,17 | 40,1 | 955 | 8000 |
| 502 | 31,52 | 1,96 | 36,2 | 999 | 8000 |
| 502 | 33,00 | 1,87 | 34,5 | 1017 | 8000 |
| 502 | 38,98 | 1,59 | 29,2 | 1075 | 8000 |
| 502 | 45,36 | 1,36 | 25,1 | 1121 | 8000 |

IH052

| Mn ₂ [Nm] | i | Pn ₁ [kW] | n ₂ [rpm] | Fr1 [N] | Fr2 [N] |
|-------------------------|-------|-------------------------|-------------------------|------------|------------|
| 502 | 49,13 | 1,26 | 23,2 | 1142 | 8000 |
| 502 | 56,11 | 1,10 | 20,3 | 1174 | 8000 |

IH053

| Mn ₂ [Nm] | i | Pn ₁ [kW] | n ₂ [rpm] | Fr1 [N] | Fr2 [N] |
|-------------------------|--------|-------------------------|-------------------------|------------|------------|
| 513 | 58,81 | 1,10 | 19,4 | 1180 | 8000 |
| 513 | 72,75 | 0,89 | 15,7 | 1222 | 8000 |
| 513 | 90,51 | 0,71 | 12,6 | 1256 | 8000 |
| 513 | 108,95 | 0,59 | 10,5 | 1280 | 8000 |
| 513 | 134,76 | 0,48 | 8,5 | 1303 | 8000 |
| 513 | 157,29 | 0,41 | 7,2 | 1317 | 8000 |
| 513 | 194,56 | 0,33 | 5,9 | 1332 | 8000 |
| 513 | 216,38 | 0,30 | 5,3 | 1339 | 8000 |
| 513 | 267,65 | 0,24 | 4,3 | 1350 | 8000 |

IH062

| Mn ₂ [Nm] | i | Pn ₁ [kW] | n ₂ [rpm] | Fr1 [N] | Fr2 [N] |
|-------------------------|-------|-------------------------|-------------------------|------------|------------|
| 513 | 5,38 | 11,74 | 212,1 | 803 | 8456 |
| 564 | 5,93 | 11,69 | 192,1 | 811 | 8542 |
| 564 | 7,39 | 9,39 | 154,2 | 1211 | 9439 |
| 615 | 8,50 | 8,91 | 134,1 | 1295 | 9748 |
| 615 | 9,39 | 8,07 | 121,5 | 1441 | 10196 |
| 666 | 11,69 | 7,02 | 97,5 | 1623 | 10942 |
| 718 | 12,67 | 6,97 | 90,0 | 1630 | 11047 |
| 718 | 14,75 | 5,99 | 77,3 | 1802 | 11839 |
| 820 | 16,29 | 6,20 | 70,0 | 1765 | 11780 |
| 851 | 17,67 | 5,93 | 64,5 | 1812 | 12000 |
| 871 | 20,28 | 5,29 | 56,2 | 1923 | 12000 |
| 871 | 23,27 | 4,61 | 49,0 | 2041 | 12000 |
| 871 | 25,70 | 4,17 | 44,4 | 2117 | 12000 |
| 820 | 29,33 | 3,44 | 38,9 | 2244 | 12000 |
| 871 | 32,00 | 3,35 | 35,6 | 2259 | 12000 |
| 820 | 36,99 | 2,73 | 30,8 | 2368 | 12000 |
| 871 | 40,33 | 2,66 | 28,3 | 2380 | 12000 |
| 871 | 46,06 | 2,33 | 24,8 | 2437 | 12000 |

IH063

| Mn_2 [Nm] | i | Pn_1 [kW] | n_2 [rpm] | Fr_1 [N] | Fr_2 [N] |
|----------------|--------|----------------|----------------|---------------|---------------|
| 871 | 49,45 | 2,22 | 23,1 | 2465 | 12000 |
| 871 | 54,61 | 2,01 | 20,9 | 2500 | 12000 |
| 871 | 68,00 | 1,61 | 16,8 | 2568 | 12000 |
| 871 | 85,82 | 1,28 | 13,3 | 2625 | 12000 |
| 871 | 94,76 | 1,16 | 12,0 | 2645 | 12000 |
| 871 | 118,00 | 0,93 | 9,7 | 2684 | 12000 |
| 871 | 135,40 | 0,81 | 8,4 | 2704 | 12000 |
| 871 | 149,51 | 0,73 | 7,6 | 2717 | 12000 |
| 871 | 170,67 | 0,64 | 6,7 | 2732 | 12000 |
| 871 | 186,18 | 0,59 | 6,1 | 2742 | 12000 |
| 871 | 215,21 | 0,51 | 5,3 | 2755 | 12000 |
| 871 | 234,67 | 0,47 | 4,9 | 2762 | 12000 |
| 871 | 268,00 | 0,41 | 4,2 | 2772 | 12000 |

IH082

| Mn_2 [Nm] | i | Pn_1 [kW] | n_2 [rpm] | Fr_1 [N] | Fr_2 [N] |
|----------------|-------|----------------|----------------|---------------|---------------|
| 718 | 5,39 | 16,39 | 211,6 | 761 | 10594 |
| 718 | 5,95 | 14,86 | 191,7 | 971 | 11056 |
| 820 | 7,39 | 13,65 | 154,2 | 1136 | 11669 |
| 820 | 8,02 | 12,59 | 142,1 | 1283 | 12092 |
| 923 | 8,85 | 12,83 | 128,8 | 1249 | 12152 |
| 1128 | 11,01 | 12,61 | 103,6 | 1279 | 12448 |
| 1435 | 13,50 | 13,09 | 84,4 | 1214 | 12282 |
| 1538 | 14,90 | 12,71 | 76,5 | 1266 | 12441 |
| 1538 | 16,62 | 11,39 | 68,6 | 1446 | 13164 |
| 1538 | 18,53 | 10,22 | 61,5 | 1607 | 13909 |
| 1640 | 19,38 | 10,42 | 58,8 | 1580 | 13760 |
| 1640 | 21,39 | 9,44 | 53,3 | 1714 | 14468 |
| 1640 | 22,80 | 8,86 | 50,0 | 1794 | 14941 |
| 1640 | 26,60 | 7,59 | 42,9 | 1967 | 16125 |
| 1640 | 27,88 | 7,24 | 40,9 | 2015 | 16498 |
| 1640 | 31,15 | 6,48 | 36,6 | 2120 | 17402 |
| 1640 | 34,38 | 5,87 | 33,2 | 2203 | 18000 |
| 1640 | 38,70 | 5,22 | 29,4 | 2293 | 18000 |
| 1640 | 42,75 | 4,72 | 26,7 | 2361 | 18000 |
| 1640 | 48,13 | 4,19 | 23,7 | 2433 | 18000 |

IH083

| Mn ₂ [Nm] | i | Pn ₁ [kW] | n ₂ [rpm] | Fr1 [N] | Fr2 [N] |
|-------------------------|--------|-------------------------|-------------------------|------------|------------|
| 1640 | 56,53 | 3,65 | 20,2 | 2518 | 18000 |
| 1845 | 71,48 | 3,25 | 15,9 | 2572 | 18000 |
| 1845 | 78,87 | 2,94 | 14,4 | 2613 | 18000 |
| 1845 | 85,56 | 2,71 | 13,3 | 2644 | 18000 |
| 1845 | 98,09 | 2,37 | 11,6 | 2691 | 18000 |
| 1845 | 112,78 | 2,06 | 10,1 | 2732 | 18000 |
| 1845 | 124,44 | 1,86 | 9,2 | 2758 | 18000 |
| 1845 | 142,15 | 1,63 | 8,0 | 2789 | 18000 |
| 1845 | 154,76 | 1,50 | 7,4 | 2807 | 18000 |
| 1845 | 162,35 | 1,43 | 7,0 | 2816 | 18000 |
| 1845 | 179,13 | 1,30 | 6,4 | 2834 | 18000 |
| 1845 | 195,07 | 1,19 | 5,8 | 2848 | 18000 |
| 1845 | 222,78 | 1,04 | 5,1 | 2868 | 18000 |

IH102

| Mn ₂ [Nm] | i | Pn ₁ [kW] | n ₂ [rpm] | Fr1 [N] | Fr2 [N] |
|-------------------------|-------|-------------------------|-------------------------|------------|------------|
| 1845 | 5,26 | 43,16 | 216,6 | 1672 | 11427 |
| 2050 | 6,36 | 39,71 | 179,4 | 1865 | 11846 |
| 2358 | 7,05 | 41,16 | 161,7 | 1784 | 11371 |
| 2563 | 8,27 | 38,13 | 137,8 | 1954 | 11706 |
| 2870 | 9,99 | 35,36 | 114,1 | 2109 | 11930 |
| 3075 | 11,09 | 34,15 | 102,8 | 2177 | 11956 |
| 3178 | 13,32 | 29,36 | 85,6 | 2445 | 13061 |
| 3280 | 16,09 | 25,10 | 70,8 | 2684 | 14302 |
| 3280 | 17,85 | 22,62 | 63,9 | 2823 | 15244 |
| 3280 | 19,85 | 20,35 | 57,4 | 2951 | 16239 |
| 3280 | 21,44 | 18,83 | 53,2 | 3036 | 16988 |
| 3383 | 23,97 | 17,37 | 47,6 | 3117 | 17712 |
| 3383 | 25,89 | 16,08 | 44,0 | 3190 | 18508 |
| 3383 | 28,73 | 14,50 | 39,7 | 3279 | 19612 |
| 3280 | 30,72 | 13,14 | 37,1 | 3354 | 20734 |
| 3280 | 34,20 | 11,81 | 33,3 | 3429 | 21942 |
| 2870 | 38,45 | 9,19 | 29,6 | 3576 | 22000 |
| 3383 | 41,30 | 10,08 | 27,6 | 3526 | 22000 |
| 3383 | 45,82 | 9,09 | 24,9 | 3582 | 22000 |
| 3383 | 51,52 | 8,08 | 22,1 | 3638 | 22000 |

IH103

| Mn ₂ [Nm] | i | Pn ₁ [kW] | n ₂ [rpm] | Fr1 [N] | Fr2 [N] |
|-------------------------|--------|-------------------------|-------------------------|------------|------------|
| 3588 | 55,47 | 8,13 | 20,6 | 3645 | 22000 |
| 3588 | 69,69 | 6,47 | 16,4 | 3736 | 22000 |
| 3588 | 79,82 | 5,65 | 14,3 | 3781 | 22000 |
| 3588 | 84,16 | 5,36 | 13,6 | 3797 | 22000 |
| 3588 | 93,36 | 4,83 | 12,2 | 3826 | 22000 |
| 3588 | 100,07 | 4,51 | 11,4 | 3844 | 22000 |
| 3588 | 120,84 | 3,73 | 9,4 | 3887 | 22000 |
| 3588 | 134,06 | 3,36 | 8,5 | 3907 | 22000 |
| 3588 | 143,42 | 3,15 | 8,0 | 3919 | 22000 |
| 3588 | 160,82 | 2,80 | 7,1 | 3937 | 22000 |
| 3588 | 181,07 | 2,49 | 6,3 | 3955 | 22000 |
| 3588 | 194,21 | 2,32 | 5,9 | 3964 | 22000 |
| 3588 | 215,45 | 2,09 | 5,3 | 3977 | 22000 |
| 3690 | 242,59 | 1,91 | 4,7 | 3986 | 22000 |

IH122

| Mn ₂ [Nm] | i | Pn ₁ [kW] | n ₂ [rpm] | Fr1 [N] | Fr2 [N] |
|-------------------------|-------|-------------------------|-------------------------|------------|------------|
| 3075 | 5,27 | 71,77 | 216,1 | 697 | 16577 |
| 3280 | 5,78 | 69,92 | 197,4 | 783 | 16729 |
| 3690 | 7,05 | 64,45 | 161,7 | 1037 | 17284 |
| 3793 | 7,74 | 60,31 | 147,2 | 1229 | 17880 |
| 3895 | 8,48 | 56,57 | 134,5 | 1402 | 18473 |
| 4100 | 10,35 | 48,79 | 110,2 | 1764 | 19943 |
| 4510 | 12,66 | 43,85 | 90,0 | 1993 | 20932 |
| 4715 | 13,86 | 41,87 | 82,2 | 2085 | 21359 |
| 4920 | 16,92 | 35,80 | 67,4 | 2367 | 23209 |
| 5125 | 19,32 | 32,66 | 59,0 | 2513 | 24314 |
| 5125 | 20,57 | 30,67 | 55,4 | 2605 | 25176 |
| 5125 | 22,52 | 28,01 | 50,6 | 2728 | 26455 |
| 5125 | 24,47 | 25,79 | 46,6 | 2832 | 27657 |
| 5125 | 27,49 | 22,95 | 41,5 | 2964 | 29406 |
| 5125 | 29,86 | 21,13 | 38,2 | 3048 | 30000 |
| 5125 | 33,00 | 19,12 | 34,5 | 3141 | 30000 |
| 5125 | 36,13 | 17,46 | 31,6 | 3218 | 30000 |
| 5125 | 44,10 | 14,31 | 25,9 | 3365 | 30000 |

IH123

| Mn ₂ [Nm] | i | Pn ₁ [kW] | n ₂ [rpm] | Fr1 [N] | Fr2 [N] |
|-------------------------|-------|-------------------------|-------------------------|------------|------------|
| 5125 | 45,77 | 14,08 | 24,9 | 3389 | 30000 |

IH123

| Mn_2 [Nm] | i | Pn_1 [kW] | n_2 [rpm] | Fr_1 [N] | Fr_2 [N] |
|----------------|--------|----------------|----------------|---------------|---------------|
| 5125 | 55,87 | 11,53 | 20,4 | 3505 | 30000 |
| 5125 | 67,32 | 9,57 | 16,9 | 3594 | 30000 |
| 5125 | 73,71 | 8,74 | 15,5 | 3632 | 30000 |
| 5125 | 83,34 | 7,73 | 13,7 | 3678 | 30000 |
| 5125 | 89,97 | 7,16 | 12,7 | 3704 | 30000 |
| 5125 | 100,29 | 6,43 | 11,4 | 3737 | 30000 |
| 5125 | 108,34 | 5,95 | 10,5 | 3759 | 30000 |
| 5125 | 118,62 | 5,43 | 9,6 | 3782 | 30000 |
| 5125 | 128,18 | 5,03 | 8,9 | 3801 | 30000 |
| 5125 | 144,79 | 4,45 | 7,9 | 3827 | 30000 |
| 5125 | 155,22 | 4,15 | 7,3 | 3840 | 30000 |
| 5125 | 172,80 | 3,73 | 6,6 | 3860 | 30000 |
| 5125 | 189,19 | 3,41 | 6,0 | 3874 | 30000 |
| 5125 | 207,43 | 3,11 | 5,5 | 3888 | 30000 |
| 5125 | 230,92 | 2,79 | 4,9 | 3902 | 30000 |

IH142

| Mn_2 [Nm] | i | Pn_1 [kW] | n_2 [rpm] | Fr_1 [N] | Fr_2 [N] |
|----------------|-------|----------------|----------------|---------------|---------------|
| 4715 | 5,27 | 110,06 | 216,1 | 4966 | 21055 |
| 5023 | 6,36 | 97,30 | 179,4 | 5610 | 22389 |
| 5125 | 7,04 | 89,59 | 161,9 | 5999 | 23386 |
| 5433 | 7,84 | 85,28 | 145,4 | 6216 | 23880 |
| 6663 | 9,45 | 86,80 | 120,6 | 6140 | 22773 |
| 7380 | 10,47 | 86,76 | 108,8 | 6142 | 22114 |
| 7483 | 13,07 | 70,47 | 87,2 | 6963 | 25197 |
| 7995 | 15,75 | 62,50 | 72,4 | 7366 | 26714 |
| 8098 | 17,45 | 57,12 | 65,3 | 7638 | 28172 |
| 8200 | 20,04 | 50,37 | 56,9 | 7978 | 30336 |
| 8200 | 24,15 | 41,80 | 47,2 | 8410 | 33854 |
| 8200 | 26,76 | 37,72 | 42,6 | 8616 | 35889 |
| 8200 | 32,24 | 31,31 | 35,4 | 8940 | 39759 |
| 8200 | 38,85 | 25,99 | 29,3 | 9208 | 43880 |
| 8200 | 43,05 | 23,45 | 26,5 | 9337 | 46264 |

IH143

| Mn_2 [Nm] | i | Pn_1 [kW] | n_2 [rpm] | Fr_1 [N] | Fr_2 [N] |
|----------------|-------|----------------|----------------|---------------|---------------|
| 8200 | 48,35 | 21,33 | 23,6 | 9466 | 49054 |
| 8200 | 53,53 | 19,26 | 21,3 | 9568 | 51593 |
| 8200 | 59,22 | 17,41 | 19,2 | 9659 | 54200 |

IH143

| Mn_2 [Nm] | i | Pn_1 [kW] | n_2 [rpm] | Fr_1 [N] | Fr_2 [N] |
|----------------|--------|----------------|----------------|---------------|---------------|
| 8200 | 62,99 | 16,37 | 18,1 | 9711 | 55000 |
| 8200 | 71,35 | 14,45 | 16,0 | 9806 | 55000 |
| 8200 | 79,07 | 13,04 | 14,4 | 9876 | 55000 |
| 8200 | 86,43 | 11,93 | 13,2 | 9930 | 55000 |
| 8200 | 96,21 | 10,72 | 11,8 | 9990 | 55000 |
| 8200 | 104,51 | 9,87 | 10,9 | 10032 | 55000 |
| 8200 | 115,92 | 8,89 | 9,8 | 10080 | 55000 |
| 8200 | 128,47 | 8,03 | 8,9 | 10123 | 55000 |
| 8200 | 139,55 | 7,39 | 8,2 | 10155 | 55000 |
| 8200 | 154,33 | 6,68 | 7,4 | 10190 | 55000 |
| 8200 | 185,96 | 5,54 | 6,1 | 10246 | 55000 |
| 8200 | 206,08 | 5,00 | 5,5 | 10273 | 55000 |

IHR041

| Mn_2 [Nm] | i | Pn_1 [kW] | n_2 [rpm] | Fr_1 [N] | Fr_2 [N] |
|----------------|------|----------------|----------------|---------------|---------------|
| 29 | 1,44 | 2,43 | 793,0 | 940 | 674 |
| 29 | 2,00 | 1,75 | 570,0 | 1061 | 768 |
| 35 | 2,55 | 1,67 | 447,9 | 1075 | 815 |
| 35 | 2,71 | 1,56 | 420,0 | 1094 | 836 |
| 45 | 3,11 | 1,77 | 367,1 | 1057 | 834 |
| 46 | 3,59 | 1,57 | 317,7 | 1093 | 881 |
| 46 | 4,20 | 1,34 | 271,4 | 1134 | 940 |
| 46 | 5,00 | 1,12 | 228,0 | 1171 | 1000 |
| 51 | 5,50 | 1,14 | 207,3 | 1169 | 1000 |
| 51 | 6,09 | 1,03 | 187,2 | 1189 | 1000 |
| 51 | 7,67 | 0,81 | 148,7 | 1226 | 1000 |
| 56 | 8,75 | 0,79 | 130,3 | 1231 | 1000 |

IHR051

| Mn_2 [Nm] | i | Pn_1 [kW] | n_2 [rpm] | Fr_1 [N] | Fr_2 [N] |
|----------------|------|----------------|----------------|---------------|---------------|
| 46 | 1,27 | 4,42 | 895,7 | 739 | 1694 |
| 67 | 1,42 | 5,72 | 803,2 | 545 | 1644 |
| 67 | 2,13 | 3,82 | 536,5 | 827 | 1938 |
| 77 | 2,57 | 3,64 | 443,3 | 853 | 2030 |
| 87 | 3,17 | 3,35 | 360,0 | 896 | 2147 |
| 92 | 3,69 | 3,05 | 309,1 | 941 | 2255 |
| 92 | 4,00 | 2,81 | 285,0 | 977 | 2333 |
| 97 | 4,77 | 2,49 | 239,0 | 1024 | 2476 |
| 103 | 5,25 | 2,38 | 217,1 | 1041 | 2500 |

IHR051

| Mn ₂ [Nm] | i | Pn ₁ [kW] | n ₂ [rpm] | Fr1 [N] | Fr2 [N] |
|-------------------------|------|-------------------------|-------------------------|------------|------------|
| 103 | 5,82 | 2,15 | 195,9 | 1075 | 2500 |
| 103 | 7,33 | 1,70 | 155,4 | 1141 | 2500 |
| 103 | 8,38 | 1,49 | 136,1 | 1172 | 2500 |

IHR061

| Mn ₂ [Nm] | i | Pn ₁ [kW] | n ₂ [rpm] | Fr1 [N] | Fr2 [N] |
|-------------------------|------|-------------------------|-------------------------|------------|------------|
| 103 | 1,34 | 9,29 | 848,4 | 1847 | 2457 |
| 133 | 2,13 | 7,64 | 536,5 | 2047 | 2808 |
| 144 | 2,57 | 6,80 | 443,3 | 2150 | 2986 |
| 144 | 3,17 | 5,52 | 360,0 | 2305 | 3242 |
| 154 | 3,69 | 5,08 | 309,1 | 2358 | 3399 |
| 154 | 4,00 | 4,68 | 285,0 | 2407 | 3510 |
| 164 | 4,77 | 4,19 | 239,0 | 2467 | 3700 |
| 174 | 5,25 | 4,04 | 217,1 | 2484 | 3700 |
| 174 | 5,82 | 3,65 | 195,9 | 2532 | 3700 |
| 174 | 7,33 | 2,90 | 155,4 | 2624 | 3700 |
| 174 | 8,38 | 2,54 | 136,1 | 2668 | 3700 |

IHR081

| Mn ₂ [Nm] | i | Pn ₁ [kW] | n ₂ [rpm] | Fr1 [N] | Fr2 [N] |
|-------------------------|------|-------------------------|-------------------------|------------|------------|
| 226 | 1,30 | 21,18 | 878,8 | 653 | 2649 |
| 246 | 1,43 | 20,98 | 798,0 | 675 | 2708 |
| 256 | 1,93 | 16,17 | 590,4 | 1217 | 3027 |
| 302 | 2,54 | 14,50 | 448,5 | 1406 | 3272 |
| 323 | 3,25 | 12,10 | 350,8 | 1675 | 3563 |
| 328 | 3,72 | 10,74 | 306,3 | 1829 | 3748 |
| 328 | 4,00 | 9,99 | 285,0 | 1913 | 3856 |
| 328 | 4,67 | 8,56 | 244,3 | 2074 | 4000 |
| 338 | 5,54 | 7,44 | 205,8 | 2201 | 4000 |
| 349 | 6,08 | 6,98 | 187,4 | 2253 | 4000 |
| 359 | 7,50 | 5,83 | 152,0 | 2382 | 4000 |
| 359 | 8,44 | 5,18 | 135,0 | 2456 | 4000 |

IHR101

| Mn ₂ [Nm] | i | Pn ₁ [kW] | n ₂ [rpm] | Fr1 [N] | Fr2 [N] |
|-------------------------|------|-------------------------|-------------------------|------------|------------|
| 451 | 1,29 | 42,51 | 881,9 | 1542 | 3251 |
| 492 | 1,41 | 42,51 | 808,4 | 1542 | 3309 |

IHR101

| Mn_2 [Nm] | i | Pn_1 [kW] | n2 [rpm] | Fr1 [N] | Fr2 [N] |
|----------------|------|----------------|-------------|------------|------------|
| 492 | 2,03 | 29,50 | 561,0 | 2283 | 3825 |
| 589 | 2,48 | 28,94 | 459,4 | 2315 | 4001 |
| 625 | 3,27 | 23,28 | 348,3 | 2638 | 4417 |
| 625 | 3,70 | 20,59 | 308,1 | 2791 | 4637 |
| 625 | 4,22 | 18,04 | 270,0 | 2936 | 4885 |
| 636 | 4,88 | 15,88 | 233,8 | 3059 | 5000 |
| 636 | 5,27 | 14,70 | 216,5 | 3126 | 5000 |
| 656 | 6,23 | 12,83 | 183,0 | 3233 | 5000 |
| 666 | 7,55 | 10,76 | 151,1 | 3351 | 5000 |
| 666 | 8,40 | 9,66 | 135,7 | 3414 | 5000 |

IHR121

| Mn_2 [Nm] | i | Pn_1 [kW] | n2 [rpm] | Fr1 [N] | Fr2 [N] |
|----------------|------|----------------|-------------|------------|------------|
| 697 | 1,23 | 69,00 | 926,2 | 647 | 4079 |
| 759 | 1,42 | 65,24 | 804,7 | 826 | 4247 |
| 759 | 1,81 | 51,16 | 631,1 | 1497 | 4670 |
| 800 | 2,00 | 48,71 | 570,0 | 1613 | 4816 |
| 841 | 2,48 | 41,29 | 459,7 | 1966 | 5192 |
| 841 | 2,95 | 34,66 | 385,9 | 2282 | 5555 |
| 861 | 3,14 | 33,38 | 362,7 | 2343 | 5668 |
| 871 | 3,58 | 29,66 | 318,5 | 2520 | 5947 |
| 871 | 4,12 | 25,78 | 276,9 | 2705 | 6000 |
| 892 | 4,80 | 22,64 | 237,5 | 2855 | 6000 |
| 902 | 5,21 | 21,08 | 218,6 | 2929 | 6000 |
| 923 | 6,25 | 17,98 | 182,4 | 3076 | 6000 |
| 1025 | 7,70 | 16,22 | 148,1 | 3160 | 6000 |

IHA32

| Mn ₂ [Nm] | i | Pn ₁ [kW] | n ₂ [rpm] | Fr1 [N] | Fr2 [N] |
|-------------------------|-------|-------------------------|-------------------------|------------|------------|
| 84 | 5,38 | 1,52 | 167,3 | 330 | 1270 |
| 84 | 6,52 | 1,25 | 138,1 | 409 | 1354 |
| 79 | 8,11 | 0,94 | 111,0 | 373 | 1457 |
| 95 | 10,94 | 0,84 | 82,3 | 441 | 1609 |
| 84 | 13,25 | 0,62 | 67,9 | 363 | 1716 |
| 84 | 16,49 | 0,50 | 54,6 | 398 | 1845 |
| 95 | 20,26 | 0,45 | 44,4 | 453 | 1976 |
| 89 | 24,55 | 0,35 | 36,7 | 386 | 2000 |
| 84 | 30,55 | 0,27 | 29,5 | 374 | 2000 |
| 95 | 35,44 | 0,26 | 25,4 | 480 | 2000 |
| 95 | 44,10 | 0,21 | 20,4 | 398 | 2000 |
| 84 | 48,75 | 0,17 | 18,5 | 398 | 2000 |
| 100 | 60,67 | 0,16 | 14,8 | 472 | 2000 |

IHA33

| Mn ₂ [Nm] | i | Pn ₁ [kW] | n ₂ [rpm] | Fr1 [N] | Fr2 [N] |
|-------------------------|--------|-------------------------|-------------------------|------------|------------|
| 105 | 51,32 | 0,20 | 17,5 | 472 | 2000 |
| 105 | 59,65 | 0,17 | 15,1 | 472 | 2000 |
| 105 | 72,27 | 0,14 | 12,4 | 472 | 2000 |
| 105 | 89,94 | 0,12 | 10,0 | 472 | 2000 |
| 105 | 110,51 | 0,09 | 8,1 | 472 | 2000 |
| 105 | 133,88 | 0,08 | 6,7 | 472 | 2000 |
| 105 | 166,61 | 0,06 | 5,4 | 472 | 2000 |
| 105 | 193,30 | 0,05 | 4,7 | 472 | 2000 |
| 105 | 240,55 | 0,04 | 3,7 | 472 | 2000 |
| 105 | 279,07 | 0,04 | 3,2 | 472 | 2000 |
| 105 | 347,29 | 0,03 | 2,6 | 472 | 2000 |

IHA41

| Mn ₂ [Nm] | i | Pn ₁ [kW] | n ₂ [rpm] | Fr1 [N] | Fr2 [N] |
|-------------------------|-------|-------------------------|-------------------------|------------|------------|
| 26 | 1,45 | 1,74 | 621,4 | 330 | 593 |
| 26 | 2,94 | 0,86 | 305,7 | 330 | 751 |
| 32 | 4,75 | 0,64 | 189,5 | 330 | 881 |
| 32 | 5,45 | 0,56 | 165,0 | 330 | 922 |
| 26 | 7,88 | 0,32 | 114,3 | 330 | 1042 |
| 21 | 10,83 | 0,19 | 83,1 | 330 | 1100 |

IHA42

| Mn_2 [Nm] | i | Pn_1 [kW] | n2 [rpm] | Fr1 [N] | Fr2 [N] |
|----------------|-------|----------------|-------------|------------|------------|
| 147 | 5,38 | 2,66 | 167,3 | 330 | 2674 |
| 147 | 6,52 | 2,19 | 138,1 | 409 | 2851 |
| 137 | 8,11 | 1,64 | 111,0 | 369 | 3067 |
| 158 | 10,94 | 1,40 | 82,3 | 424 | 3388 |
| 147 | 13,25 | 1,08 | 67,9 | 381 | 3612 |
| 147 | 16,49 | 0,87 | 54,6 | 398 | 3885 |
| 158 | 20,26 | 0,76 | 44,4 | 432 | 4161 |
| 163 | 24,55 | 0,64 | 36,7 | 422 | 4300 |
| 147 | 30,55 | 0,47 | 29,5 | 359 | 4300 |
| 158 | 35,44 | 0,43 | 25,4 | 457 | 4300 |
| 147 | 44,10 | 0,32 | 20,4 | 371 | 4300 |
| 121 | 48,75 | 0,24 | 18,5 | 416 | 4300 |
| 137 | 60,67 | 0,22 | 14,8 | 428 | 4300 |

IHA43

| Mn_2 [Nm] | i | Pn_1 [kW] | n2 [rpm] | Fr1 [N] | Fr2 [N] |
|----------------|--------|----------------|-------------|------------|------------|
| 158 | 51,32 | 0,30 | 17,5 | 427 | 4300 |
| 158 | 59,65 | 0,26 | 15,1 | 426 | 4300 |
| 158 | 72,27 | 0,22 | 12,4 | 409 | 4300 |
| 158 | 89,94 | 0,17 | 10,0 | 398 | 4300 |
| 158 | 110,51 | 0,14 | 8,1 | 403 | 4300 |
| 158 | 133,88 | 0,12 | 6,7 | 409 | 4300 |
| 158 | 166,61 | 0,09 | 5,4 | 398 | 4300 |
| 158 | 193,30 | 0,08 | 4,7 | 427 | 4300 |
| 158 | 240,55 | 0,06 | 3,7 | 398 | 4300 |
| 158 | 279,07 | 0,06 | 3,2 | 427 | 4300 |
| 158 | 347,29 | 0,05 | 2,6 | 398 | 4300 |

IHA51

| Mn_2 [Nm] | i | Pn_1 [kW] | n2 [rpm] | Fr1 [N] | Fr2 [N] |
|----------------|-------|----------------|-------------|------------|------------|
| 42 | 1,45 | 2,79 | 621,4 | 330 | 1634 |
| 42 | 2,94 | 1,37 | 305,7 | 330 | 2069 |
| 53 | 4,75 | 1,06 | 189,5 | 330 | 2427 |
| 53 | 5,45 | 0,93 | 165,0 | 330 | 2542 |
| 42 | 7,88 | 0,51 | 114,3 | 330 | 2873 |
| 26 | 10,83 | 0,23 | 83,1 | 330 | 3000 |

IHA52

| Mn ₂ [Nm] | i | Pn ₁ [kW] | n ₂ [rpm] | Fr1 [N] | Fr2 [N] |
|-------------------------|-------|-------------------------|-------------------------|------------|------------|
| 252 | 5,14 | 4,76 | 175,0 | 550 | 3293 |
| 252 | 6,22 | 3,94 | 144,6 | 682 | 3509 |
| 252 | 7,73 | 3,17 | 116,4 | 664 | 3773 |
| 315 | 9,64 | 3,18 | 93,3 | 827 | 4061 |
| 294 | 11,67 | 2,45 | 77,1 | 636 | 4327 |
| 294 | 14,50 | 1,97 | 62,1 | 664 | 4652 |
| 315 | 16,91 | 1,81 | 53,2 | 758 | 4897 |
| 305 | 20,46 | 1,45 | 44,0 | 659 | 5218 |
| 294 | 25,43 | 1,12 | 35,4 | 641 | 5610 |
| 315 | 29,89 | 1,02 | 30,1 | 752 | 5921 |
| 315 | 36,17 | 0,85 | 24,9 | 682 | 6000 |
| 294 | 44,95 | 0,64 | 20,0 | 620 | 6000 |
| 315 | 49,78 | 0,62 | 18,1 | 798 | 6000 |
| 305 | 61,87 | 0,48 | 14,6 | 642 | 6000 |

IHA53

| Mn ₂ [Nm] | i | Pn ₁ [kW] | n ₂ [rpm] | Fr1 [N] | Fr2 [N] |
|-------------------------|--------|-------------------------|-------------------------|------------|------------|
| 315 | 49,80 | 0,63 | 18,1 | 330 | 6000 |
| 315 | 60,25 | 0,52 | 14,9 | 409 | 6000 |
| 315 | 74,88 | 0,42 | 12,0 | 398 | 6000 |
| 315 | 88,02 | 0,36 | 10,2 | 421 | 6000 |
| 315 | 111,61 | 0,28 | 8,1 | 390 | 6000 |
| 315 | 138,71 | 0,23 | 6,5 | 398 | 6000 |
| 315 | 163,05 | 0,19 | 5,5 | 421 | 6000 |
| 315 | 200,27 | 0,16 | 4,5 | 403 | 6000 |
| 315 | 235,41 | 0,13 | 3,8 | 421 | 6000 |
| 315 | 284,81 | 0,11 | 3,2 | 409 | 6000 |
| 315 | 353,98 | 0,09 | 2,5 | 398 | 6000 |

IHA61

| Mn ₂ [Nm] | i | Pn ₁ [kW] | n ₂ [rpm] | Fr1 [N] | Fr2 [N] |
|-------------------------|-------|-------------------------|-------------------------|------------|------------|
| 95 | 1,33 | 6,82 | 675,0 | 550 | 2379 |
| 95 | 2,50 | 3,64 | 360,0 | 550 | 2933 |
| 116 | 4,38 | 2,53 | 205,3 | 550 | 3537 |
| 95 | 7,75 | 1,17 | 116,1 | 550 | 4277 |
| 74 | 10,67 | 0,66 | 84,4 | 550 | 4500 |

IHA62

| Mn ₂ [Nm] | i | Pn ₁ [kW] | n ₂ [rpm] | Fr1 [N] | Fr2 [N] |
|-------------------------|-------|-------------------------|-------------------------|------------|------------|
| 399 | 5,14 | 7,54 | 175,0 | 550 | 4861 |
| 399 | 6,22 | 6,23 | 144,6 | 682 | 5179 |
| 399 | 7,73 | 5,01 | 116,4 | 664 | 5569 |
| 483 | 9,64 | 4,87 | 93,3 | 801 | 5994 |
| 462 | 11,67 | 3,85 | 77,1 | 652 | 6387 |
| 441 | 14,50 | 2,96 | 62,1 | 634 | 6867 |
| 525 | 16,91 | 3,02 | 53,2 | 842 | 7228 |
| 483 | 20,46 | 2,29 | 44,0 | 627 | 7702 |
| 452 | 25,43 | 1,73 | 35,4 | 621 | 8000 |
| 473 | 29,89 | 1,54 | 30,1 | 734 | 8000 |
| 494 | 36,17 | 1,33 | 24,9 | 712 | 8000 |
| 462 | 44,95 | 1,00 | 20,0 | 621 | 8000 |
| 389 | 49,78 | 0,76 | 18,1 | 626 | 8000 |
| 462 | 61,87 | 0,73 | 14,6 | 789 | 8000 |

IHA63

| Mn ₂ [Nm] | i | Pn ₁ [kW] | n ₂ [rpm] | Fr1 [N] | Fr2 [N] |
|-------------------------|--------|-------------------------|-------------------------|------------|------------|
| 504 | 49,80 | 1,00 | 18,1 | 330 | 8000 |
| 504 | 60,25 | 0,83 | 14,9 | 409 | 8000 |
| 504 | 74,88 | 0,67 | 12,0 | 398 | 8000 |
| 504 | 88,02 | 0,57 | 10,2 | 421 | 8000 |
| 504 | 111,61 | 0,45 | 8,1 | 390 | 8000 |
| 504 | 138,71 | 0,36 | 6,5 | 398 | 8000 |
| 504 | 163,05 | 0,31 | 5,5 | 421 | 8000 |
| 504 | 200,27 | 0,25 | 4,5 | 403 | 8000 |
| 504 | 235,41 | 0,21 | 3,8 | 421 | 8000 |
| 504 | 284,81 | 0,18 | 3,2 | 409 | 8000 |
| 504 | 353,98 | 0,14 | 2,5 | 398 | 8000 |

IH032

| Mn ₂ [Nm] | i | Pn ₁ [kW] | n ₂ [rpm] | Fr1 [N] | Fr2 [N] |
|-------------------------|-------|-------------------------|-------------------------|------------|------------|
| 100 | 4,70 | 2,06 | 191,7 | 665 | 3578 |
| 110 | 6,23 | 1,72 | 144,5 | 788 | 3925 |
| 131 | 7,76 | 1,64 | 115,9 | 815 | 4093 |
| 137 | 8,87 | 1,50 | 101,5 | 868 | 4285 |
| 147 | 10,14 | 1,41 | 88,7 | 900 | 4438 |
| 152 | 11,76 | 1,26 | 76,5 | 953 | 4685 |
| 179 | 13,72 | 1,26 | 65,6 | 951 | 4742 |
| 179 | 14,66 | 1,18 | 61,4 | 980 | 4889 |

IH032

| Mn ₂ [Nm] | i | Pn ₁ [kW] | n ₂ [rpm] | Fr1 [N] | Fr2 [N] |
|-------------------------|-------|-------------------------|-------------------------|------------|------------|
| 200 | 16,77 | 1,16 | 53,7 | 990 | 4980 |
| 210 | 18,20 | 1,12 | 49,5 | 1002 | 5066 |
| 210 | 19,90 | 1,03 | 45,2 | 1037 | 5285 |
| 210 | 22,68 | 0,90 | 39,7 | 1082 | 5500 |
| 210 | 23,83 | 0,86 | 37,8 | 1097 | 5500 |
| 210 | 26,39 | 0,77 | 34,1 | 1127 | 5500 |
| 210 | 29,70 | 0,69 | 30,3 | 1158 | 5500 |
| 210 | 32,89 | 0,62 | 27,4 | 1182 | 5500 |
| 210 | 37,92 | 0,54 | 23,7 | 1211 | 5500 |
| 210 | 41,40 | 0,49 | 21,7 | 1227 | 5500 |
| 210 | 47,25 | 0,43 | 19,1 | 1249 | 5500 |

IH033

| Mn ₂ [Nm] | i | Pn ₁ [kW] | n ₂ [rpm] | Fr1 [N] | Fr2 [N] |
|-------------------------|--------|-------------------------|-------------------------|------------|------------|
| 210 | 53,59 | 0,39 | 16,8 | 1267 | 5500 |
| 210 | 66,78 | 0,31 | 13,5 | 1294 | 5500 |
| 210 | 74,84 | 0,28 | 12,0 | 1306 | 5500 |
| 210 | 99,27 | 0,21 | 9,1 | 1330 | 5500 |
| 210 | 108,05 | 0,19 | 8,3 | 1336 | 5500 |
| 210 | 123,71 | 0,17 | 7,3 | 1345 | 5500 |
| 210 | 143,33 | 0,15 | 6,3 | 1353 | 5500 |
| 210 | 178,61 | 0,12 | 5,0 | 1363 | 5500 |
| 210 | 197,17 | 0,11 | 4,6 | 1367 | 5500 |
| 210 | 245,70 | 0,08 | 3,7 | 1374 | 5500 |

IH042

| Mn ₂ [Nm] | i | Pn ₁ [kW] | n ₂ [rpm] | Fr1 [N] | Fr2 [N] |
|-------------------------|-------|-------------------------|-------------------------|------------|------------|
| 168 | 5,46 | 2,99 | 164,8 | 384 | 4643 |
| 168 | 7,19 | 2,27 | 125,2 | 635 | 5221 |
| 221 | 8,91 | 2,40 | 101,0 | 588 | 5278 |
| 252 | 10,31 | 2,37 | 87,3 | 599 | 5371 |
| 263 | 11,80 | 2,16 | 76,3 | 673 | 5626 |
| 263 | 13,57 | 1,88 | 66,3 | 772 | 5998 |
| 263 | 15,96 | 1,60 | 56,4 | 870 | 6452 |
| 263 | 19,00 | 1,34 | 47,4 | 959 | 6600 |
| 263 | 21,00 | 1,21 | 42,9 | 1004 | 6600 |
| 273 | 23,15 | 1,15 | 38,9 | 1028 | 6600 |
| 273 | 26,04 | 1,02 | 34,6 | 1073 | 6600 |
| 294 | 27,50 | 1,04 | 32,7 | 1065 | 6600 |

IH042

| Mn_2 [Nm] | i | Pn_1 [kW] | n_2 [rpm] | Fr_1 [N] | Fr_2 [N] |
|----------------|-------|----------------|----------------|---------------|---------------|
| 294 | 30,45 | 0,94 | 29,6 | 1101 | 6600 |
| 294 | 34,10 | 0,84 | 26,4 | 1136 | 6600 |
| 294 | 37,76 | 0,76 | 23,8 | 1164 | 6600 |
| 294 | 43,75 | 0,65 | 20,6 | 1200 | 6600 |
| 294 | 47,53 | 0,60 | 18,9 | 1218 | 6600 |
| 294 | 54,25 | 0,53 | 16,6 | 1244 | 6600 |

IH043

| Mn_2 [Nm] | i | Pn_1 [kW] | n_2 [rpm] | Fr_1 [N] | Fr_2 [N] |
|----------------|--------|----------------|----------------|---------------|---------------|
| 315 | 61,83 | 0,51 | 14,6 | 1256 | 6600 |
| 315 | 76,67 | 0,41 | 11,7 | 1289 | 6600 |
| 315 | 87,05 | 0,36 | 10,3 | 1306 | 6600 |
| 315 | 114,55 | 0,27 | 7,9 | 1335 | 6600 |
| 315 | 125,69 | 0,25 | 7,2 | 1343 | 6600 |
| 315 | 142,04 | 0,22 | 6,3 | 1353 | 6600 |
| 315 | 165,38 | 0,19 | 5,4 | 1364 | 6600 |
| 315 | 205,07 | 0,15 | 4,4 | 1376 | 6600 |
| 315 | 227,50 | 0,14 | 4,0 | 1381 | 6600 |
| 315 | 282,10 | 0,11 | 3,2 | 1391 | 6600 |

IH052

| Mn_2 [Nm] | i | Pn_1 [kW] | n_2 [rpm] | Fr_1 [N] | Fr_2 [N] |
|----------------|-------|----------------|----------------|---------------|---------------|
| 273 | 5,73 | 4,63 | 157,1 | 202 | 5759 |
| 305 | 6,89 | 4,29 | 130,6 | 290 | 6032 |
| 357 | 8,53 | 4,07 | 105,5 | 348 | 6274 |
| 389 | 9,56 | 3,95 | 94,1 | 379 | 6401 |
| 410 | 11,51 | 3,46 | 78,2 | 506 | 6834 |
| 452 | 14,24 | 3,08 | 63,2 | 603 | 7256 |
| 473 | 16,59 | 2,77 | 54,2 | 684 | 7654 |
| 483 | 18,00 | 2,61 | 50,0 | 725 | 7881 |
| 483 | 19,97 | 2,35 | 45,1 | 792 | 8000 |
| 494 | 21,67 | 2,21 | 41,5 | 827 | 8000 |
| 494 | 24,71 | 1,94 | 36,4 | 897 | 8000 |
| 515 | 26,18 | 1,91 | 34,4 | 905 | 8000 |
| 515 | 28,44 | 1,76 | 31,6 | 945 | 8000 |
| 515 | 31,52 | 1,59 | 28,6 | 989 | 8000 |
| 515 | 33,00 | 1,52 | 27,3 | 1007 | 8000 |
| 515 | 38,98 | 1,28 | 23,1 | 1067 | 8000 |
| 515 | 45,36 | 1,10 | 19,8 | 1114 | 8000 |

IH052

| Mn_2 [Nm] | i | Pn_1 [kW] | n_2 [rpm] | Fr_1 [N] | Fr_2 [N] |
|----------------|-------|----------------|----------------|---------------|---------------|
| 515 | 49,13 | 1,02 | 18,3 | 1136 | 8000 |
| 515 | 56,11 | 0,89 | 16,0 | 1168 | 8000 |

IH053

| Mn_2 [Nm] | i | Pn_1 [kW] | n_2 [rpm] | Fr_1 [N] | Fr_2 [N] |
|----------------|--------|----------------|----------------|---------------|---------------|
| 525 | 58,81 | 0,89 | 15,3 | 1174 | 8000 |
| 525 | 72,75 | 0,72 | 12,4 | 1217 | 8000 |
| 525 | 90,51 | 0,58 | 9,9 | 1253 | 8000 |
| 525 | 108,95 | 0,48 | 8,3 | 1278 | 8000 |
| 525 | 134,76 | 0,39 | 6,7 | 1301 | 8000 |
| 525 | 157,29 | 0,33 | 5,7 | 1315 | 8000 |
| 525 | 194,56 | 0,27 | 4,6 | 1331 | 8000 |
| 525 | 216,38 | 0,24 | 4,2 | 1338 | 8000 |
| 525 | 267,65 | 0,19 | 3,4 | 1349 | 8000 |

IH062

| Mn_2 [Nm] | i | Pn_1 [kW] | n_2 [rpm] | Fr_1 [N] | Fr_2 [N] |
|----------------|-------|----------------|----------------|---------------|---------------|
| 525 | 5,38 | 9,49 | 167,4 | 753 | 9322 |
| 578 | 5,93 | 9,46 | 151,7 | 761 | 9432 |
| 578 | 7,39 | 7,59 | 121,8 | 1171 | 10402 |
| 630 | 8,50 | 7,20 | 105,9 | 1257 | 10753 |
| 630 | 9,39 | 6,52 | 95,9 | 1406 | 11238 |
| 683 | 11,69 | 5,68 | 77,0 | 1593 | 12000 |
| 735 | 12,67 | 5,64 | 71,0 | 1601 | 12000 |
| 735 | 14,75 | 4,84 | 61,0 | 1776 | 12000 |
| 840 | 16,29 | 5,01 | 55,3 | 1739 | 12000 |
| 872 | 17,67 | 4,79 | 50,9 | 1787 | 12000 |
| 893 | 20,28 | 4,28 | 44,4 | 1901 | 12000 |
| 893 | 23,27 | 3,73 | 38,7 | 2022 | 12000 |
| 893 | 25,70 | 3,38 | 35,0 | 2099 | 12000 |
| 840 | 29,33 | 2,78 | 30,7 | 2229 | 12000 |
| 893 | 32,00 | 2,71 | 28,1 | 2245 | 12000 |
| 840 | 36,99 | 2,21 | 24,3 | 2356 | 12000 |
| 893 | 40,33 | 2,15 | 22,3 | 2369 | 12000 |
| 893 | 46,06 | 1,88 | 19,5 | 2427 | 12000 |

IH063

| Mn ₂ [Nm] | i | Pn ₁ [kW] | n ₂ [rpm] | Fr1 [N] | Fr2 [N] |
|-------------------------|--------|-------------------------|-------------------------|------------|------------|
| 893 | 49,45 | 1,79 | 18,2 | 2456 | 12000 |
| 893 | 54,61 | 1,62 | 16,5 | 2492 | 12000 |
| 893 | 68,00 | 1,30 | 13,2 | 2561 | 12000 |
| 893 | 85,82 | 1,03 | 10,5 | 2619 | 12000 |
| 893 | 94,76 | 0,93 | 9,5 | 2640 | 12000 |
| 893 | 118,00 | 0,75 | 7,6 | 2680 | 12000 |
| 893 | 135,40 | 0,65 | 6,7 | 2701 | 12000 |
| 893 | 149,51 | 0,59 | 6,0 | 2714 | 12000 |
| 893 | 170,67 | 0,52 | 5,3 | 2730 | 12000 |
| 893 | 186,18 | 0,48 | 4,8 | 2739 | 12000 |
| 893 | 215,21 | 0,41 | 4,2 | 2753 | 12000 |
| 893 | 234,67 | 0,38 | 3,8 | 2760 | 12000 |
| 893 | 268,00 | 0,33 | 3,4 | 2770 | 12000 |

IH082

| Mn ₂ [Nm] | i | Pn ₁ [kW] | n ₂ [rpm] | Fr1 [N] | Fr2 [N] |
|-------------------------|-------|-------------------------|-------------------------|------------|------------|
| 735 | 5,39 | 13,26 | 167,0 | 706 | 11651 |
| 735 | 5,95 | 12,01 | 151,4 | 922 | 12152 |
| 840 | 7,39 | 11,04 | 121,7 | 1091 | 12841 |
| 840 | 8,02 | 10,18 | 112,2 | 1241 | 13300 |
| 945 | 8,85 | 10,38 | 101,7 | 1206 | 13391 |
| 1155 | 11,01 | 10,20 | 81,8 | 1237 | 13766 |
| 1470 | 13,50 | 10,58 | 66,7 | 1170 | 13667 |
| 1575 | 14,90 | 10,28 | 60,4 | 1223 | 13866 |
| 1575 | 16,62 | 9,21 | 54,2 | 1408 | 14648 |
| 1575 | 18,53 | 8,26 | 48,6 | 1573 | 15455 |
| 1680 | 19,38 | 8,42 | 46,4 | 1545 | 15320 |
| 1680 | 21,39 | 7,63 | 42,1 | 1682 | 16087 |
| 1680 | 22,80 | 7,16 | 39,5 | 1764 | 16598 |
| 1680 | 26,60 | 6,14 | 33,8 | 1942 | 17879 |
| 1680 | 27,88 | 5,86 | 32,3 | 1991 | 18000 |
| 1680 | 31,15 | 5,24 | 28,9 | 2098 | 18000 |
| 1680 | 34,38 | 4,75 | 26,2 | 2183 | 18000 |
| 1680 | 38,70 | 4,22 | 23,2 | 2275 | 18000 |
| 1680 | 42,75 | 3,82 | 21,1 | 2345 | 18000 |
| 1680 | 48,13 | 3,39 | 18,7 | 2419 | 18000 |

IH083

| Mn ₂ [Nm] | i | Pn ₁ [kW] | n ₂ [rpm] | Fr1 [N] | Fr2 [N] |
|-------------------------|--------|-------------------------|-------------------------|------------|------------|
| 1680 | 56,53 | 2,95 | 15,9 | 2506 | 18000 |
| 1890 | 71,48 | 2,62 | 12,6 | 2562 | 18000 |
| 1890 | 78,87 | 2,38 | 11,4 | 2604 | 18000 |
| 1890 | 85,56 | 2,19 | 10,5 | 2635 | 18000 |
| 1890 | 98,09 | 1,91 | 9,2 | 2683 | 18000 |
| 1890 | 112,78 | 1,66 | 8,0 | 2725 | 18000 |
| 1890 | 124,44 | 1,51 | 7,2 | 2752 | 18000 |
| 1890 | 142,15 | 1,32 | 6,3 | 2784 | 18000 |
| 1890 | 154,76 | 1,21 | 5,8 | 2802 | 18000 |
| 1890 | 162,35 | 1,16 | 5,5 | 2812 | 18000 |
| 1890 | 179,13 | 1,05 | 5,0 | 2830 | 18000 |
| 1890 | 195,07 | 0,96 | 4,6 | 2845 | 18000 |
| 1890 | 222,78 | 0,84 | 4,0 | 2865 | 18000 |

IH102

| Mn ₂ [Nm] | i | Pn ₁ [kW] | n ₂ [rpm] | Fr1 [N] | Fr2 [N] |
|-------------------------|-------|-------------------------|-------------------------|------------|------------|
| 1890 | 5,26 | 34,90 | 171,0 | 1613 | 12767 |
| 2100 | 6,36 | 32,11 | 141,6 | 1811 | 13264 |
| 2415 | 7,05 | 33,29 | 127,6 | 1727 | 12817 |
| 2625 | 8,27 | 30,84 | 108,8 | 1902 | 13225 |
| 2940 | 9,99 | 28,60 | 90,1 | 2061 | 13535 |
| 3150 | 11,09 | 27,62 | 81,2 | 2130 | 13608 |
| 3255 | 13,32 | 23,74 | 67,5 | 2405 | 14826 |
| 3360 | 16,09 | 20,30 | 55,9 | 2650 | 16191 |
| 3360 | 17,85 | 18,29 | 50,4 | 2792 | 17209 |
| 3360 | 19,85 | 16,45 | 45,3 | 2923 | 18287 |
| 3360 | 21,44 | 15,23 | 42,0 | 3010 | 19096 |
| 3465 | 23,97 | 14,05 | 37,5 | 3094 | 19902 |
| 3465 | 25,89 | 13,01 | 34,8 | 3168 | 20764 |
| 3465 | 28,73 | 11,72 | 31,3 | 3259 | 21958 |
| 3360 | 30,72 | 10,63 | 29,3 | 3337 | 22000 |
| 3360 | 34,20 | 9,55 | 26,3 | 3413 | 22000 |
| 2940 | 38,45 | 7,43 | 23,4 | 3564 | 22000 |
| 3465 | 41,30 | 8,15 | 21,8 | 3512 | 22000 |
| 3465 | 45,82 | 7,35 | 19,6 | 3569 | 22000 |
| 3465 | 51,52 | 6,54 | 17,5 | 3627 | 22000 |

IH103

| Mn ₂ [Nm] | i | Pn ₁ [kW] | n ₂ [rpm] | Fr1 [N] | Fr2 [N] |
|-------------------------|--------|-------------------------|-------------------------|------------|------------|
| 3675 | 55,47 | 6,58 | 16,2 | 3634 | 22000 |
| 3675 | 69,69 | 5,23 | 12,9 | 3727 | 22000 |
| 3675 | 79,82 | 4,57 | 11,3 | 3774 | 22000 |
| 3675 | 84,16 | 4,33 | 10,7 | 3790 | 22000 |
| 3675 | 93,36 | 3,91 | 9,6 | 3820 | 22000 |
| 3675 | 100,07 | 3,65 | 9,0 | 3838 | 22000 |
| 3675 | 120,84 | 3,02 | 7,5 | 3882 | 22000 |
| 3675 | 134,06 | 2,72 | 6,7 | 3902 | 22000 |
| 3675 | 143,42 | 2,54 | 6,3 | 3915 | 22000 |
| 3675 | 160,82 | 2,27 | 5,6 | 3934 | 22000 |
| 3675 | 181,07 | 2,01 | 5,0 | 3951 | 22000 |
| 3675 | 194,21 | 1,88 | 4,6 | 3961 | 22000 |
| 3675 | 215,45 | 1,69 | 4,2 | 3974 | 22000 |
| 3780 | 242,59 | 1,55 | 3,7 | 3984 | 22000 |

IH122

| Mn ₂ [Nm] | i | Pn ₁ [kW] | n ₂ [rpm] | Fr1 [N] | Fr2 [N] |
|-------------------------|-------|-------------------------|-------------------------|------------|------------|
| 3150 | 5,27 | 58,04 | 170,6 | 616 | 18507 |
| 3360 | 5,78 | 56,55 | 155,8 | 703 | 18709 |
| 3780 | 7,05 | 52,12 | 127,7 | 964 | 19385 |
| 3885 | 7,74 | 48,77 | 116,2 | 1161 | 20049 |
| 3990 | 8,48 | 45,75 | 106,2 | 1338 | 20710 |
| 4200 | 10,35 | 39,46 | 87,0 | 1709 | 22339 |
| 4620 | 12,66 | 35,46 | 71,1 | 1944 | 23484 |
| 4830 | 13,86 | 33,86 | 64,9 | 2038 | 23985 |
| 5040 | 16,92 | 28,95 | 53,2 | 2327 | 26025 |
| 5250 | 19,32 | 26,41 | 46,6 | 2476 | 27258 |
| 5250 | 20,57 | 24,81 | 43,8 | 2570 | 28191 |
| 5250 | 22,52 | 22,66 | 40,0 | 2697 | 29575 |
| 5250 | 24,47 | 20,86 | 36,8 | 2803 | 30000 |
| 5250 | 27,49 | 18,56 | 32,7 | 2938 | 30000 |
| 5250 | 29,86 | 17,09 | 30,1 | 3024 | 30000 |
| 5250 | 33,00 | 15,46 | 27,3 | 3120 | 30000 |
| 5250 | 36,13 | 14,12 | 24,9 | 3199 | 30000 |
| 5250 | 44,10 | 11,57 | 20,4 | 3349 | 30000 |

IH123

| Mn ₂ [Nm] | i | Pn ₁ [kW] | n ₂ [rpm] | Fr1 [N] | Fr2 [N] |
|-------------------------|-------|-------------------------|-------------------------|------------|------------|
| 5250 | 45,77 | 11,39 | 19,7 | 3374 | 30000 |

IH123

| Mn_2 [Nm] | i | Pn_1 [kW] | n_2 [rpm] | Fr_1 [N] | Fr_2 [N] |
|----------------|--------|----------------|----------------|---------------|---------------|
| 5250 | 55,87 | 9,33 | 16,1 | 3492 | 30000 |
| 5250 | 67,32 | 7,74 | 13,4 | 3583 | 30000 |
| 5250 | 73,71 | 7,07 | 12,2 | 3622 | 30000 |
| 5250 | 83,34 | 6,25 | 10,8 | 3669 | 30000 |
| 5250 | 89,97 | 5,79 | 10,0 | 3696 | 30000 |
| 5250 | 100,29 | 5,20 | 9,0 | 3730 | 30000 |
| 5250 | 108,34 | 4,81 | 8,3 | 3752 | 30000 |
| 5250 | 118,62 | 4,39 | 7,6 | 3776 | 30000 |
| 5250 | 128,18 | 4,07 | 7,0 | 3795 | 30000 |
| 5250 | 144,79 | 3,60 | 6,2 | 3822 | 30000 |
| 5250 | 155,22 | 3,36 | 5,8 | 3836 | 30000 |
| 5250 | 172,80 | 3,02 | 5,2 | 3855 | 30000 |
| 5250 | 189,19 | 2,75 | 4,8 | 3871 | 30000 |
| 5250 | 207,43 | 2,51 | 4,3 | 3884 | 30000 |
| 5250 | 230,92 | 2,26 | 3,9 | 3899 | 30000 |

IH142

| Mn_2 [Nm] | i | Pn_1 [kW] | n_2 [rpm] | Fr_1 [N] | Fr_2 [N] |
|----------------|-------|----------------|----------------|---------------|---------------|
| 4830 | 5,27 | 89,01 | 170,6 | 4831 | 23594 |
| 5145 | 6,36 | 78,69 | 141,6 | 5490 | 25090 |
| 5250 | 7,04 | 72,45 | 127,8 | 5889 | 26187 |
| 5565 | 7,84 | 68,97 | 114,8 | 6111 | 26774 |
| 6825 | 9,45 | 70,20 | 95,2 | 6033 | 25788 |
| 7560 | 10,47 | 70,16 | 85,9 | 6035 | 25199 |
| 7665 | 13,07 | 56,99 | 68,8 | 6877 | 28552 |
| 8190 | 15,75 | 50,54 | 57,1 | 7289 | 30282 |
| 8295 | 17,45 | 46,19 | 51,6 | 7567 | 31876 |
| 8400 | 20,04 | 40,73 | 44,9 | 7916 | 34236 |
| 8400 | 24,15 | 33,81 | 37,3 | 8359 | 38042 |
| 8400 | 26,76 | 30,51 | 33,6 | 8570 | 40244 |
| 8400 | 32,24 | 25,32 | 27,9 | 8901 | 44431 |
| 8400 | 38,85 | 21,02 | 23,2 | 9176 | 48891 |
| 8400 | 43,05 | 18,96 | 20,9 | 9308 | 51470 |

IH143

| Mn_2 [Nm] | i | Pn_1 [kW] | n_2 [rpm] | Fr_1 [N] | Fr_2 [N] |
|----------------|-------|----------------|----------------|---------------|---------------|
| 8400 | 48,35 | 17,25 | 18,6 | 9440 | 54488 |
| 8400 | 53,53 | 15,58 | 16,8 | 9545 | 55000 |
| 8400 | 59,22 | 14,08 | 15,2 | 9638 | 55000 |

IH143

| Mn_2 [Nm] | i | Pn_1 [kW] | n_2 [rpm] | Fr_1 [N] | Fr_2 [N] |
|----------------|--------|----------------|----------------|---------------|---------------|
| 8400 | 62,99 | 13,24 | 14,3 | 9691 | 55000 |
| 8400 | 71,35 | 11,69 | 12,6 | 9788 | 55000 |
| 8400 | 79,07 | 10,54 | 11,4 | 9860 | 55000 |
| 8400 | 86,43 | 9,65 | 10,4 | 9916 | 55000 |
| 8400 | 96,21 | 8,67 | 9,3 | 9977 | 55000 |
| 8400 | 104,51 | 7,98 | 8,6 | 10020 | 55000 |
| 8400 | 115,92 | 7,19 | 7,8 | 10070 | 55000 |
| 8400 | 128,47 | 6,49 | 7,0 | 10114 | 55000 |
| 8400 | 139,55 | 5,97 | 6,5 | 10146 | 55000 |
| 8400 | 154,33 | 5,40 | 5,8 | 10182 | 55000 |
| 8400 | 185,96 | 4,48 | 4,8 | 10239 | 55000 |
| 8400 | 206,08 | 4,05 | 4,4 | 10267 | 55000 |

IHR041

| Mn_2 [Nm] | i | Pn_1 [kW] | n_2 [rpm] | Fr_1 [N] | Fr_2 [N] |
|----------------|------|----------------|----------------|---------------|---------------|
| 29 | 1,44 | 1,97 | 626,1 | 930 | 737 |
| 29 | 2,00 | 1,41 | 450,0 | 1054 | 838 |
| 36 | 2,55 | 1,35 | 353,6 | 1068 | 891 |
| 36 | 2,71 | 1,27 | 331,6 | 1087 | 914 |
| 46 | 3,11 | 1,43 | 289,8 | 1050 | 914 |
| 47 | 3,59 | 1,27 | 250,8 | 1087 | 965 |
| 47 | 4,20 | 1,08 | 214,3 | 1128 | 1000 |
| 47 | 5,00 | 0,91 | 180,0 | 1167 | 1000 |
| 53 | 5,50 | 0,92 | 163,6 | 1164 | 1000 |
| 53 | 6,09 | 0,83 | 147,8 | 1184 | 1000 |
| 53 | 7,67 | 0,66 | 117,4 | 1223 | 1000 |
| 58 | 8,75 | 0,63 | 102,9 | 1228 | 1000 |

IHR051

| Mn_2 [Nm] | i | Pn_1 [kW] | n_2 [rpm] | Fr_1 [N] | Fr_2 [N] |
|----------------|------|----------------|----------------|---------------|---------------|
| 47 | 1,27 | 3,57 | 707,1 | 723 | 1849 |
| 68 | 1,42 | 4,63 | 634,1 | 525 | 1801 |
| 68 | 2,13 | 3,09 | 423,5 | 813 | 2120 |
| 79 | 2,57 | 2,95 | 350,0 | 840 | 2223 |
| 89 | 3,17 | 2,71 | 284,2 | 884 | 2353 |
| 95 | 3,69 | 2,47 | 244,1 | 930 | 2472 |
| 95 | 4,00 | 2,27 | 225,0 | 966 | 2500 |
| 100 | 4,77 | 2,01 | 188,7 | 1015 | 2500 |
| 105 | 5,25 | 1,92 | 171,4 | 1032 | 2500 |

IHR051

| Mn_2 [Nm] | i | Pn_1 [kW] | n2 [rpm] | Fr1 [N] | Fr2 [N] |
|----------------|------|----------------|-------------|------------|------------|
| 105 | 5,82 | 1,74 | 154,7 | 1067 | 2500 |
| 105 | 7,33 | 1,38 | 122,7 | 1135 | 2500 |
| 105 | 8,38 | 1,21 | 107,5 | 1167 | 2500 |

IHR061

| Mn_2 [Nm] | i | Pn_1 [kW] | n2 [rpm] | Fr1 [N] | Fr2 [N] |
|----------------|------|----------------|-------------|------------|------------|
| 105 | 1,34 | 7,52 | 669,8 | 1819 | 2682 |
| 137 | 2,13 | 6,18 | 423,5 | 2025 | 3068 |
| 147 | 2,57 | 5,50 | 350,0 | 2129 | 3264 |
| 147 | 3,17 | 4,47 | 284,2 | 2289 | 3540 |
| 158 | 3,69 | 4,11 | 244,1 | 2343 | 3700 |
| 158 | 4,00 | 3,79 | 225,0 | 2393 | 3700 |
| 168 | 4,77 | 3,39 | 188,7 | 2454 | 3700 |
| 179 | 5,25 | 3,27 | 171,4 | 2472 | 3700 |
| 179 | 5,82 | 2,95 | 154,7 | 2522 | 3700 |
| 179 | 7,33 | 2,34 | 122,7 | 2615 | 3700 |
| 179 | 8,38 | 2,05 | 107,5 | 2660 | 3700 |

IHR081

| Mn_2 [Nm] | i | Pn_1 [kW] | n2 [rpm] | Fr1 [N] | Fr2 [N] |
|----------------|------|----------------|-------------|------------|------------|
| 231 | 1,30 | 17,13 | 693,8 | 594 | 2894 |
| 252 | 1,43 | 16,97 | 630,0 | 617 | 2960 |
| 263 | 1,93 | 13,08 | 466,1 | 1173 | 3306 |
| 310 | 2,54 | 11,72 | 354,1 | 1366 | 3577 |
| 331 | 3,25 | 9,79 | 276,9 | 1642 | 3894 |
| 336 | 3,72 | 8,68 | 241,8 | 1800 | 4000 |
| 336 | 4,00 | 8,08 | 225,0 | 1886 | 4000 |
| 336 | 4,67 | 6,93 | 192,9 | 2051 | 4000 |
| 347 | 5,54 | 6,02 | 162,5 | 2180 | 4000 |
| 357 | 6,08 | 5,65 | 147,9 | 2233 | 4000 |
| 368 | 7,50 | 4,71 | 120,0 | 2366 | 4000 |
| 368 | 8,44 | 4,19 | 106,6 | 2442 | 4000 |

IHR101

| Mn_2 [Nm] | i | Pn_1 [kW] | n2 [rpm] | Fr1 [N] | Fr2 [N] |
|----------------|------|----------------|-------------|------------|------------|
| 462 | 1,29 | 34,38 | 696,2 | 1483 | 3554 |
| 504 | 1,41 | 34,38 | 638,2 | 1483 | 3619 |

IHR101

| Mn_2 [Nm] | i | Pn_1 [kW] | n_2 [rpm] | Fr_1 [N] | Fr_2 [N] |
|----------------|------|----------------|----------------|---------------|---------------|
| 504 | 2,03 | 23,86 | 442,9 | 2242 | 4178 |
| 604 | 2,48 | 23,40 | 362,7 | 2275 | 4376 |
| 641 | 3,27 | 18,83 | 275,0 | 2606 | 4829 |
| 641 | 3,70 | 16,65 | 243,2 | 2762 | 5000 |
| 641 | 4,22 | 14,59 | 213,2 | 2911 | 5000 |
| 651 | 4,88 | 12,85 | 184,6 | 3037 | 5000 |
| 651 | 5,27 | 11,89 | 170,9 | 3106 | 5000 |
| 672 | 6,23 | 10,37 | 144,4 | 3215 | 5000 |
| 683 | 7,55 | 8,70 | 119,3 | 3336 | 5000 |
| 683 | 8,40 | 7,82 | 107,1 | 3400 | 5000 |

IHR121

| Mn_2 [Nm] | i | Pn_1 [kW] | n_2 [rpm] | Fr_1 [N] | Fr_2 [N] |
|----------------|------|----------------|----------------|---------------|---------------|
| 714 | 1,23 | 55,80 | 731,2 | 567 | 4454 |
| 777 | 1,42 | 52,76 | 635,3 | 751 | 4639 |
| 777 | 1,81 | 41,38 | 498,2 | 1437 | 5096 |
| 819 | 2,00 | 39,39 | 450,0 | 1557 | 5257 |
| 861 | 2,48 | 33,40 | 362,9 | 1918 | 5667 |
| 861 | 2,95 | 28,03 | 304,6 | 2242 | 6000 |
| 882 | 3,14 | 27,00 | 286,4 | 2304 | 6000 |
| 893 | 3,58 | 23,99 | 251,5 | 2486 | 6000 |
| 893 | 4,12 | 20,85 | 218,6 | 2675 | 6000 |
| 914 | 4,80 | 18,31 | 187,5 | 2828 | 6000 |
| 924 | 5,21 | 17,05 | 172,6 | 2905 | 6000 |
| 945 | 6,25 | 14,54 | 144,0 | 3055 | 6000 |
| 1050 | 7,70 | 13,12 | 116,9 | 3141 | 6000 |

IHA32

| Mn ₂ [Nm] | i | Pn ₁ [kW] | n ₂ [rpm] | Fr1 [N] | Fr2 [N] |
|-------------------------|-------|-------------------------|-------------------------|------------|------------|
| 85 | 5,38 | 1,19 | 130,1 | 330 | 1381 |
| 85 | 6,52 | 0,98 | 107,4 | 409 | 1473 |
| 80 | 8,11 | 0,74 | 86,3 | 373 | 1584 |
| 96 | 10,94 | 0,66 | 64,0 | 441 | 1750 |
| 85 | 13,25 | 0,48 | 52,8 | 363 | 1865 |
| 85 | 16,49 | 0,39 | 42,5 | 398 | 2000 |
| 96 | 20,26 | 0,36 | 34,5 | 453 | 2000 |
| 90 | 24,55 | 0,28 | 28,5 | 386 | 2000 |
| 85 | 30,55 | 0,21 | 22,9 | 374 | 2000 |
| 96 | 35,44 | 0,20 | 19,8 | 480 | 2000 |
| 96 | 44,10 | 0,16 | 15,9 | 398 | 2000 |
| 85 | 48,75 | 0,13 | 14,4 | 398 | 2000 |
| 101 | 60,67 | 0,13 | 11,5 | 472 | 2000 |

IHA33

| Mn ₂ [Nm] | i | Pn ₁ [kW] | n ₂ [rpm] | Fr1 [N] | Fr2 [N] |
|-------------------------|--------|-------------------------|-------------------------|------------|------------|
| 106 | 51,32 | 0,16 | 13,6 | 472 | 2000 |
| 106 | 59,65 | 0,14 | 11,7 | 472 | 2000 |
| 106 | 72,27 | 0,11 | 9,7 | 472 | 2000 |
| 106 | 89,94 | 0,09 | 7,8 | 472 | 2000 |
| 106 | 110,51 | 0,07 | 6,3 | 472 | 2000 |
| 106 | 133,88 | 0,06 | 5,2 | 472 | 2000 |
| 106 | 166,61 | 0,05 | 4,2 | 472 | 2000 |
| 106 | 193,30 | 0,04 | 3,6 | 472 | 2000 |
| 106 | 240,55 | 0,03 | 2,9 | 472 | 2000 |
| 106 | 279,07 | 0,03 | 2,5 | 472 | 2000 |
| 106 | 347,29 | 0,02 | 2,0 | 472 | 2000 |

IHA41

| Mn ₂ [Nm] | i | Pn ₁ [kW] | n ₂ [rpm] | Fr1 [N] | Fr2 [N] |
|-------------------------|-------|-------------------------|-------------------------|------------|------------|
| 27 | 1,45 | 1,37 | 483,3 | 330 | 645 |
| 27 | 2,94 | 0,67 | 237,7 | 330 | 817 |
| 32 | 4,75 | 0,50 | 147,4 | 330 | 958 |
| 32 | 5,45 | 0,44 | 128,3 | 330 | 1003 |
| 27 | 7,88 | 0,25 | 88,9 | 330 | 1100 |
| 21 | 10,83 | 0,15 | 64,6 | 330 | 1100 |

IHA42

| Mn_2 [Nm] | i | Pn_1 [kW] | n2 [rpm] | Fr1 [N] | Fr2 [N] |
|----------------|-------|----------------|-------------|------------|------------|
| 149 | 5,38 | 2,08 | 130,1 | 330 | 2908 |
| 149 | 6,52 | 1,72 | 107,4 | 409 | 3100 |
| 138 | 8,11 | 1,28 | 86,3 | 369 | 3334 |
| 159 | 10,94 | 1,10 | 64,0 | 424 | 3684 |
| 149 | 13,25 | 0,84 | 52,8 | 381 | 3927 |
| 149 | 16,49 | 0,68 | 42,5 | 398 | 4224 |
| 159 | 20,26 | 0,59 | 34,5 | 432 | 4300 |
| 165 | 24,55 | 0,50 | 28,5 | 422 | 4300 |
| 149 | 30,55 | 0,37 | 22,9 | 359 | 4300 |
| 159 | 35,44 | 0,34 | 19,8 | 457 | 4300 |
| 149 | 44,10 | 0,25 | 15,9 | 371 | 4300 |
| 122 | 48,75 | 0,19 | 14,4 | 416 | 4300 |
| 138 | 60,67 | 0,17 | 11,5 | 428 | 4300 |

IHA43

| Mn_2 [Nm] | i | Pn_1 [kW] | n2 [rpm] | Fr1 [N] | Fr2 [N] |
|----------------|--------|----------------|-------------|------------|------------|
| 159 | 51,32 | 0,24 | 13,6 | 427 | 4300 |
| 159 | 59,65 | 0,21 | 11,7 | 426 | 4300 |
| 159 | 72,27 | 0,17 | 9,7 | 409 | 4300 |
| 159 | 89,94 | 0,14 | 7,8 | 398 | 4300 |
| 159 | 110,51 | 0,11 | 6,3 | 403 | 4300 |
| 159 | 133,88 | 0,09 | 5,2 | 409 | 4300 |
| 159 | 166,61 | 0,07 | 4,2 | 398 | 4300 |
| 159 | 193,30 | 0,06 | 3,6 | 427 | 4300 |
| 159 | 240,55 | 0,05 | 2,9 | 398 | 4300 |
| 159 | 279,07 | 0,04 | 2,5 | 427 | 4300 |
| 159 | 347,29 | 0,04 | 2,0 | 398 | 4300 |

IHA51

| Mn_2 [Nm] | i | Pn_1 [kW] | n2 [rpm] | Fr1 [N] | Fr2 [N] |
|----------------|-------|----------------|-------------|------------|------------|
| 43 | 1,45 | 2,18 | 483,3 | 330 | 1776 |
| 43 | 2,94 | 1,07 | 237,7 | 330 | 2250 |
| 53 | 4,75 | 0,83 | 147,4 | 330 | 2639 |
| 53 | 5,45 | 0,73 | 128,3 | 330 | 2764 |
| 43 | 7,88 | 0,40 | 88,9 | 330 | 3000 |
| 27 | 10,83 | 0,18 | 64,6 | 330 | 3000 |

IHA52

| Mn ₂ [Nm] | i | Pn ₁ [kW] | n ₂ [rpm] | Fr1 [N] | Fr2 [N] |
|-------------------------|-------|-------------------------|-------------------------|------------|------------|
| 255 | 5,14 | 3,73 | 136,1 | 550 | 3581 |
| 255 | 6,22 | 3,08 | 112,5 | 682 | 3816 |
| 255 | 7,73 | 2,48 | 90,5 | 664 | 4103 |
| 319 | 9,64 | 2,49 | 72,6 | 827 | 4416 |
| 298 | 11,67 | 1,92 | 60,0 | 636 | 4705 |
| 298 | 14,50 | 1,54 | 48,3 | 664 | 5059 |
| 319 | 16,91 | 1,42 | 41,4 | 758 | 5325 |
| 308 | 20,46 | 1,13 | 34,2 | 659 | 5674 |
| 298 | 25,43 | 0,88 | 27,5 | 641 | 6000 |
| 319 | 29,89 | 0,80 | 23,4 | 752 | 6000 |
| 319 | 36,17 | 0,66 | 19,4 | 682 | 6000 |
| 298 | 44,95 | 0,50 | 15,6 | 620 | 6000 |
| 319 | 49,78 | 0,48 | 14,1 | 798 | 6000 |
| 308 | 61,87 | 0,37 | 11,3 | 642 | 6000 |

IHA53

| Mn ₂ [Nm] | i | Pn ₁ [kW] | n ₂ [rpm] | Fr1 [N] | Fr2 [N] |
|-------------------------|--------|-------------------------|-------------------------|------------|------------|
| 319 | 49,80 | 0,49 | 14,1 | 330 | 6000 |
| 319 | 60,25 | 0,41 | 11,6 | 409 | 6000 |
| 319 | 74,88 | 0,33 | 9,3 | 398 | 6000 |
| 319 | 88,02 | 0,28 | 8,0 | 421 | 6000 |
| 319 | 111,61 | 0,22 | 6,3 | 390 | 6000 |
| 319 | 138,71 | 0,18 | 5,0 | 398 | 6000 |
| 319 | 163,05 | 0,15 | 4,3 | 421 | 6000 |
| 319 | 200,27 | 0,12 | 3,5 | 403 | 6000 |
| 319 | 235,41 | 0,10 | 3,0 | 421 | 6000 |
| 319 | 284,81 | 0,09 | 2,5 | 409 | 6000 |
| 319 | 353,98 | 0,07 | 2,0 | 398 | 6000 |

IHA61

| Mn ₂ [Nm] | i | Pn ₁ [kW] | n ₂ [rpm] | Fr1 [N] | Fr2 [N] |
|-------------------------|-------|-------------------------|-------------------------|------------|------------|
| 96 | 1,33 | 5,34 | 525,0 | 550 | 2586 |
| 96 | 2,50 | 2,85 | 280,0 | 550 | 3189 |
| 117 | 4,38 | 1,98 | 159,7 | 550 | 3846 |
| 96 | 7,75 | 0,92 | 90,3 | 550 | 4500 |
| 74 | 10,67 | 0,52 | 65,6 | 550 | 4500 |

IHA62

| Mn ₂ [Nm] | i | Pn ₁ [kW] | n ₂ [rpm] | Fr1 [N] | Fr2 [N] |
|-------------------------|-------|-------------------------|-------------------------|------------|------------|
| 404 | 5,14 | 5,91 | 136,1 | 550 | 5285 |
| 404 | 6,22 | 4,88 | 112,5 | 682 | 5632 |
| 404 | 7,73 | 3,93 | 90,5 | 664 | 6055 |
| 489 | 9,64 | 3,81 | 72,6 | 801 | 6518 |
| 468 | 11,67 | 3,01 | 60,0 | 652 | 6945 |
| 446 | 14,50 | 2,32 | 48,3 | 634 | 7467 |
| 531 | 16,91 | 2,36 | 41,4 | 842 | 7860 |
| 489 | 20,46 | 1,80 | 34,2 | 627 | 8000 |
| 457 | 25,43 | 1,35 | 27,5 | 621 | 8000 |
| 478 | 29,89 | 1,20 | 23,4 | 734 | 8000 |
| 499 | 36,17 | 1,04 | 19,4 | 712 | 8000 |
| 468 | 44,95 | 0,78 | 15,6 | 621 | 8000 |
| 393 | 49,78 | 0,59 | 14,1 | 626 | 8000 |
| 468 | 61,87 | 0,57 | 11,3 | 789 | 8000 |

IHA63

| Mn ₂ [Nm] | i | Pn ₁ [kW] | n ₂ [rpm] | Fr1 [N] | Fr2 [N] |
|-------------------------|--------|-------------------------|-------------------------|------------|------------|
| 510 | 49,80 | 0,79 | 14,1 | 330 | 8000 |
| 510 | 60,25 | 0,65 | 11,6 | 409 | 8000 |
| 510 | 74,88 | 0,52 | 9,3 | 398 | 8000 |
| 510 | 88,02 | 0,45 | 8,0 | 421 | 8000 |
| 510 | 111,61 | 0,35 | 6,3 | 390 | 8000 |
| 510 | 138,71 | 0,28 | 5,0 | 398 | 8000 |
| 510 | 163,05 | 0,24 | 4,3 | 421 | 8000 |
| 510 | 200,27 | 0,20 | 3,5 | 403 | 8000 |
| 510 | 235,41 | 0,17 | 3,0 | 421 | 8000 |
| 510 | 284,81 | 0,14 | 2,5 | 409 | 8000 |
| 510 | 353,98 | 0,11 | 2,0 | 398 | 8000 |

IH032

| Mn ₂ [Nm] | i | Pn ₁ [kW] | n ₂ [rpm] | Fr1 [N] | Fr2 [N] |
|-------------------------|-------|-------------------------|-------------------------|------------|------------|
| 101 | 4,70 | 1,62 | 149,1 | 656 | 3969 |
| 112 | 6,23 | 1,35 | 112,4 | 781 | 4355 |
| 133 | 7,76 | 1,29 | 90,2 | 808 | 4553 |
| 138 | 8,87 | 1,17 | 79,0 | 862 | 4767 |
| 149 | 10,14 | 1,10 | 69,0 | 894 | 4941 |
| 154 | 11,76 | 0,99 | 59,5 | 948 | 5214 |
| 181 | 13,72 | 0,99 | 51,0 | 946 | 5297 |
| 181 | 14,66 | 0,93 | 47,8 | 975 | 5457 |

IH032

| Mn_2 [Nm] | i | Pn_1 [kW] | n_2 [rpm] | Fr_1 [N] | Fr_2 [N] |
|----------------|-------|----------------|----------------|---------------|---------------|
| 202 | 16,77 | 0,91 | 41,8 | 985 | 5500 |
| 213 | 18,20 | 0,88 | 38,5 | 998 | 5500 |
| 213 | 19,90 | 0,80 | 35,2 | 1032 | 5500 |
| 213 | 22,68 | 0,70 | 30,9 | 1078 | 5500 |
| 213 | 23,83 | 0,67 | 29,4 | 1094 | 5500 |
| 213 | 26,39 | 0,61 | 26,5 | 1124 | 5500 |
| 213 | 29,70 | 0,54 | 23,6 | 1155 | 5500 |
| 213 | 32,89 | 0,49 | 21,3 | 1179 | 5500 |
| 213 | 37,92 | 0,42 | 18,5 | 1209 | 5500 |
| 213 | 41,40 | 0,39 | 16,9 | 1225 | 5500 |
| 213 | 47,25 | 0,34 | 14,8 | 1247 | 5500 |

IH033

| Mn_2 [Nm] | i | Pn_1 [kW] | n_2 [rpm] | Fr_1 [N] | Fr_2 [N] |
|----------------|--------|----------------|----------------|---------------|---------------|
| 213 | 53,59 | 0,30 | 13,1 | 1266 | 5500 |
| 213 | 66,78 | 0,24 | 10,5 | 1293 | 5500 |
| 213 | 74,84 | 0,22 | 9,3 | 1305 | 5500 |
| 213 | 99,27 | 0,16 | 7,0 | 1329 | 5500 |
| 213 | 108,05 | 0,15 | 6,5 | 1335 | 5500 |
| 213 | 123,71 | 0,13 | 5,7 | 1344 | 5500 |
| 213 | 143,33 | 0,11 | 4,9 | 1352 | 5500 |
| 213 | 178,61 | 0,09 | 3,9 | 1362 | 5500 |
| 213 | 197,17 | 0,08 | 3,5 | 1366 | 5500 |
| 213 | 245,70 | 0,07 | 2,9 | 1374 | 5500 |

IH042

| Mn_2 [Nm] | i | Pn_1 [kW] | n_2 [rpm] | Fr_1 [N] | Fr_2 [N] |
|----------------|-------|----------------|----------------|---------------|---------------|
| 170 | 5,46 | 2,34 | 128,2 | 372 | 5154 |
| 170 | 7,19 | 1,78 | 97,4 | 625 | 5783 |
| 223 | 8,91 | 1,88 | 78,5 | 578 | 5877 |
| 255 | 10,31 | 1,86 | 67,9 | 589 | 5998 |
| 266 | 11,80 | 1,69 | 59,3 | 664 | 6282 |
| 266 | 13,57 | 1,47 | 51,6 | 764 | 6600 |
| 266 | 15,96 | 1,25 | 43,9 | 863 | 6600 |
| 266 | 19,00 | 1,05 | 36,8 | 954 | 6600 |
| 266 | 21,00 | 0,95 | 33,3 | 999 | 6600 |
| 276 | 23,15 | 0,90 | 30,2 | 1023 | 6600 |
| 276 | 26,04 | 0,80 | 26,9 | 1068 | 6600 |
| 298 | 27,50 | 0,81 | 25,4 | 1061 | 6600 |

IH042

| Mn_2 [Nm] | i | Pn_1 [kW] | n2 [rpm] | Fr1 [N] | Fr2 [N] |
|----------------|-------|----------------|-------------|------------|------------|
| 298 | 30,45 | 0,73 | 23,0 | 1097 | 6600 |
| 298 | 34,10 | 0,66 | 20,5 | 1132 | 6600 |
| 298 | 37,76 | 0,59 | 18,5 | 1161 | 6600 |
| 298 | 43,75 | 0,51 | 16,0 | 1198 | 6600 |
| 298 | 47,53 | 0,47 | 14,7 | 1216 | 6600 |
| 298 | 54,25 | 0,41 | 12,9 | 1242 | 6600 |

IH043

| Mn_2 [Nm] | i | Pn_1 [kW] | n2 [rpm] | Fr1 [N] | Fr2 [N] |
|----------------|--------|----------------|-------------|------------|------------|
| 319 | 61,83 | 0,40 | 11,3 | 1253 | 6600 |
| 319 | 76,67 | 0,32 | 9,1 | 1287 | 6600 |
| 319 | 87,05 | 0,28 | 8,0 | 1304 | 6600 |
| 319 | 114,55 | 0,21 | 6,1 | 1334 | 6600 |
| 319 | 125,69 | 0,19 | 5,6 | 1342 | 6600 |
| 319 | 142,04 | 0,17 | 4,9 | 1352 | 6600 |
| 319 | 165,38 | 0,15 | 4,2 | 1363 | 6600 |
| 319 | 205,07 | 0,12 | 3,4 | 1376 | 6600 |
| 319 | 227,50 | 0,11 | 3,1 | 1381 | 6600 |
| 319 | 282,10 | 0,09 | 2,5 | 1390 | 6600 |

IH052

| Mn_2 [Nm] | i | Pn_1 [kW] | n2 [rpm] | Fr1 [N] | Fr2 [N] |
|----------------|-------|----------------|-------------|------------|------------|
| 276 | 5,73 | 3,63 | 122,2 | 188 | 6400 |
| 308 | 6,89 | 3,36 | 101,5 | 277 | 6713 |
| 361 | 8,53 | 3,19 | 82,1 | 336 | 7002 |
| 393 | 9,56 | 3,09 | 73,2 | 367 | 7156 |
| 414 | 11,51 | 2,71 | 60,8 | 495 | 7637 |
| 457 | 14,24 | 2,41 | 49,2 | 593 | 8000 |
| 478 | 16,59 | 2,17 | 42,2 | 675 | 8000 |
| 489 | 18,00 | 2,04 | 38,9 | 717 | 8000 |
| 489 | 19,97 | 1,84 | 35,0 | 784 | 8000 |
| 499 | 21,67 | 1,73 | 32,3 | 820 | 8000 |
| 499 | 24,71 | 1,52 | 28,3 | 891 | 8000 |
| 521 | 26,18 | 1,50 | 26,7 | 900 | 8000 |
| 521 | 28,44 | 1,38 | 24,6 | 939 | 8000 |
| 521 | 31,52 | 1,24 | 22,2 | 984 | 8000 |
| 521 | 33,00 | 1,19 | 21,2 | 1003 | 8000 |
| 521 | 38,98 | 1,00 | 18,0 | 1063 | 8000 |
| 521 | 45,36 | 0,86 | 15,4 | 1111 | 8000 |

IH052

| Mn_2 [Nm] | i | Pn_1 [kW] | n_2 [rpm] | Fr_1 [N] | Fr_2 [N] |
|----------------|-------|----------------|----------------|---------------|---------------|
| 521 | 49,13 | 0,80 | 14,2 | 1133 | 8000 |
| 521 | 56,11 | 0,70 | 12,5 | 1166 | 8000 |

IH053

| Mn_2 [Nm] | i | Pn_1 [kW] | n_2 [rpm] | Fr_1 [N] | Fr_2 [N] |
|----------------|--------|----------------|----------------|---------------|---------------|
| 531 | 58,81 | 0,69 | 11,9 | 1172 | 8000 |
| 531 | 72,75 | 0,56 | 9,6 | 1215 | 8000 |
| 531 | 90,51 | 0,45 | 7,7 | 1251 | 8000 |
| 531 | 108,95 | 0,37 | 6,4 | 1276 | 8000 |
| 531 | 134,76 | 0,30 | 5,2 | 1300 | 8000 |
| 531 | 157,29 | 0,26 | 4,5 | 1314 | 8000 |
| 531 | 194,56 | 0,21 | 3,6 | 1330 | 8000 |
| 531 | 216,38 | 0,19 | 3,2 | 1337 | 8000 |
| 531 | 267,65 | 0,15 | 2,6 | 1349 | 8000 |

IH062

| Mn_2 [Nm] | i | Pn_1 [kW] | n_2 [rpm] | Fr_1 [N] | Fr_2 [N] |
|----------------|-------|----------------|----------------|---------------|---------------|
| 531 | 5,38 | 7,43 | 130,2 | 728 | 10367 |
| 584 | 5,93 | 7,41 | 118,0 | 736 | 10510 |
| 584 | 7,39 | 5,95 | 94,7 | 1151 | 11565 |
| 638 | 8,50 | 5,64 | 82,3 | 1238 | 11970 |
| 638 | 9,39 | 5,11 | 74,6 | 1389 | 12000 |
| 691 | 11,69 | 4,45 | 59,9 | 1578 | 12000 |
| 744 | 12,67 | 4,42 | 55,3 | 1586 | 12000 |
| 744 | 14,75 | 3,79 | 47,5 | 1763 | 12000 |
| 850 | 16,29 | 3,93 | 43,0 | 1726 | 12000 |
| 882 | 17,67 | 3,75 | 39,6 | 1774 | 12000 |
| 903 | 20,28 | 3,35 | 34,5 | 1890 | 12000 |
| 903 | 23,27 | 2,92 | 30,1 | 2012 | 12000 |
| 903 | 25,70 | 2,64 | 27,2 | 2090 | 12000 |
| 850 | 29,33 | 2,18 | 23,9 | 2222 | 12000 |
| 903 | 32,00 | 2,12 | 21,9 | 2238 | 12000 |
| 850 | 36,99 | 1,73 | 18,9 | 2350 | 12000 |
| 903 | 40,33 | 1,68 | 17,4 | 2363 | 12000 |
| 903 | 46,06 | 1,47 | 15,2 | 2422 | 12000 |

IH063

| Mn ₂ [Nm] | i | Pn ₁ [kW] | n ₂ [rpm] | Fr1 [N] | Fr2 [N] |
|-------------------------|--------|-------------------------|-------------------------|------------|------------|
| 903 | 49,45 | 1,40 | 14,2 | 2451 | 12000 |
| 903 | 54,61 | 1,27 | 12,8 | 2488 | 12000 |
| 903 | 68,00 | 1,02 | 10,3 | 2558 | 12000 |
| 903 | 85,82 | 0,81 | 8,2 | 2617 | 12000 |
| 903 | 94,76 | 0,73 | 7,4 | 2638 | 12000 |
| 903 | 118,00 | 0,59 | 5,9 | 2678 | 12000 |
| 903 | 135,40 | 0,51 | 5,2 | 2699 | 12000 |
| 903 | 149,51 | 0,46 | 4,7 | 2712 | 12000 |
| 903 | 170,67 | 0,41 | 4,1 | 2728 | 12000 |
| 903 | 186,18 | 0,37 | 3,8 | 2738 | 12000 |
| 903 | 215,21 | 0,32 | 3,2 | 2752 | 12000 |
| 903 | 234,67 | 0,30 | 3,0 | 2759 | 12000 |
| 903 | 268,00 | 0,26 | 2,6 | 2770 | 12000 |

IH082

| Mn ₂ [Nm] | i | Pn ₁ [kW] | n ₂ [rpm] | Fr1 [N] | Fr2 [N] |
|-------------------------|-------|-------------------------|-------------------------|------------|------------|
| 744 | 5,39 | 10,38 | 129,9 | 679 | 12923 |
| 744 | 5,95 | 9,41 | 117,7 | 897 | 13467 |
| 850 | 7,39 | 8,65 | 94,7 | 1068 | 14253 |
| 850 | 8,02 | 7,97 | 87,3 | 1219 | 14752 |
| 956 | 8,85 | 8,13 | 79,1 | 1184 | 14887 |
| 1169 | 11,01 | 7,99 | 63,6 | 1216 | 15367 |
| 1488 | 13,50 | 8,29 | 51,9 | 1148 | 15368 |
| 1594 | 14,90 | 8,05 | 47,0 | 1202 | 15622 |
| 1594 | 16,62 | 7,22 | 42,1 | 1389 | 16471 |
| 1594 | 18,53 | 6,47 | 37,8 | 1556 | 17349 |
| 1700 | 19,38 | 6,60 | 36,1 | 1528 | 17238 |
| 1700 | 21,39 | 5,98 | 32,7 | 1667 | 18000 |
| 1700 | 22,80 | 5,61 | 30,7 | 1750 | 18000 |
| 1700 | 26,60 | 4,81 | 26,3 | 1929 | 18000 |
| 1700 | 27,88 | 4,59 | 25,1 | 1979 | 18000 |
| 1700 | 31,15 | 4,10 | 22,5 | 2087 | 18000 |
| 1700 | 34,38 | 3,72 | 20,4 | 2173 | 18000 |
| 1700 | 38,70 | 3,30 | 18,1 | 2267 | 18000 |
| 1700 | 42,75 | 2,99 | 16,4 | 2337 | 18000 |
| 1700 | 48,13 | 2,66 | 14,5 | 2412 | 18000 |

IH083

| Mn ₂ [Nm] | i | Pn ₁ [kW] | n ₂ [rpm] | Fr1 [N] | Fr2 [N] |
|-------------------------|--------|-------------------------|-------------------------|------------|------------|
| 1700 | 56,53 | 2,31 | 12,4 | 2500 | 18000 |
| 1913 | 71,48 | 2,06 | 9,8 | 2556 | 18000 |
| 1913 | 78,87 | 1,86 | 8,9 | 2599 | 18000 |
| 1913 | 85,56 | 1,72 | 8,2 | 2631 | 18000 |
| 1913 | 98,09 | 1,50 | 7,1 | 2679 | 18000 |
| 1913 | 112,78 | 1,30 | 6,2 | 2722 | 18000 |
| 1913 | 124,44 | 1,18 | 5,6 | 2749 | 18000 |
| 1913 | 142,15 | 1,03 | 4,9 | 2781 | 18000 |
| 1913 | 154,76 | 0,95 | 4,5 | 2799 | 18000 |
| 1913 | 162,35 | 0,91 | 4,3 | 2809 | 18000 |
| 1913 | 179,13 | 0,82 | 3,9 | 2828 | 18000 |
| 1913 | 195,07 | 0,75 | 3,6 | 2843 | 18000 |
| 1913 | 222,78 | 0,66 | 3,1 | 2863 | 18000 |

IH102

| Mn ₂ [Nm] | i | Pn ₁ [kW] | n ₂ [rpm] | Fr1 [N] | Fr2 [N] |
|-------------------------|-------|-------------------------|-------------------------|------------|------------|
| 1913 | 5,26 | 27,34 | 133,0 | 1583 | 14423 |
| 2125 | 6,36 | 25,15 | 110,1 | 1784 | 15024 |
| 2444 | 7,05 | 26,07 | 99,3 | 1699 | 14628 |
| 2656 | 8,27 | 24,15 | 84,6 | 1876 | 15132 |
| 2975 | 9,99 | 22,40 | 70,1 | 2036 | 15559 |
| 3188 | 11,09 | 21,63 | 63,1 | 2107 | 15698 |
| 3294 | 13,32 | 18,59 | 52,5 | 2385 | 17053 |
| 3400 | 16,09 | 15,89 | 43,5 | 2633 | 18567 |
| 3400 | 17,85 | 14,33 | 39,2 | 2777 | 19675 |
| 3400 | 19,85 | 12,89 | 35,3 | 2909 | 20846 |
| 3400 | 21,44 | 11,93 | 32,6 | 2997 | 21727 |
| 3506 | 23,97 | 11,00 | 29,2 | 3082 | 22000 |
| 3506 | 25,89 | 10,19 | 27,0 | 3157 | 22000 |
| 3506 | 28,73 | 9,18 | 24,4 | 3249 | 22000 |
| 3400 | 30,72 | 8,33 | 22,8 | 3328 | 22000 |
| 3400 | 34,20 | 7,48 | 20,5 | 3405 | 22000 |
| 2975 | 38,45 | 5,82 | 18,2 | 3557 | 22000 |
| 3506 | 41,30 | 6,39 | 16,9 | 3505 | 22000 |
| 3506 | 45,82 | 5,76 | 15,3 | 3563 | 22000 |
| 3506 | 51,52 | 5,12 | 13,6 | 3622 | 22000 |

IH103

| Mn ₂ [Nm] | i | Pn ₁ [kW] | n ₂ [rpm] | Fr1 [N] | Fr2 [N] |
|-------------------------|--------|-------------------------|-------------------------|------------|------------|
| 3719 | 55,47 | 5,15 | 12,6 | 3629 | 22000 |
| 3719 | 69,69 | 4,10 | 10,0 | 3723 | 22000 |
| 3719 | 79,82 | 3,58 | 8,8 | 3770 | 22000 |
| 3719 | 84,16 | 3,39 | 8,3 | 3786 | 22000 |
| 3719 | 93,36 | 3,06 | 7,5 | 3817 | 22000 |
| 3719 | 100,07 | 2,86 | 7,0 | 3835 | 22000 |
| 3719 | 120,84 | 2,36 | 5,8 | 3879 | 22000 |
| 3719 | 134,06 | 2,13 | 5,2 | 3900 | 22000 |
| 3719 | 143,42 | 1,99 | 4,9 | 3912 | 22000 |
| 3719 | 160,82 | 1,78 | 4,3 | 3932 | 22000 |
| 3719 | 181,07 | 1,58 | 3,9 | 3950 | 22000 |
| 3719 | 194,21 | 1,47 | 3,6 | 3959 | 22000 |
| 3719 | 215,45 | 1,33 | 3,2 | 3972 | 22000 |
| 3825 | 242,59 | 1,21 | 2,9 | 3983 | 22000 |

IH122

| Mn ₂ [Nm] | i | Pn ₁ [kW] | n ₂ [rpm] | Fr1 [N] | Fr2 [N] |
|-------------------------|-------|-------------------------|-------------------------|------------|------------|
| 3188 | 5,27 | 45,46 | 132,7 | 575 | 20890 |
| 3400 | 5,78 | 44,29 | 121,2 | 664 | 21161 |
| 3825 | 7,05 | 40,82 | 99,3 | 927 | 21998 |
| 3931 | 7,74 | 38,20 | 90,4 | 1127 | 22745 |
| 4038 | 8,48 | 35,83 | 82,6 | 1306 | 23489 |
| 4250 | 10,35 | 30,90 | 67,7 | 1681 | 25312 |
| 4675 | 12,66 | 27,77 | 55,3 | 1919 | 26660 |
| 4888 | 13,86 | 26,52 | 50,5 | 2014 | 27255 |
| 5100 | 16,92 | 22,67 | 41,4 | 2306 | 29524 |
| 5313 | 19,32 | 20,68 | 36,2 | 2457 | 30000 |
| 5313 | 20,57 | 19,43 | 34,0 | 2553 | 30000 |
| 5313 | 22,52 | 17,74 | 31,1 | 2681 | 30000 |
| 5313 | 24,47 | 16,33 | 28,6 | 2788 | 30000 |
| 5313 | 27,49 | 14,54 | 25,5 | 2925 | 30000 |
| 5313 | 29,86 | 13,38 | 23,4 | 3012 | 30000 |
| 5313 | 33,00 | 12,11 | 21,2 | 3109 | 30000 |
| 5313 | 36,13 | 11,06 | 19,4 | 3189 | 30000 |
| 5313 | 44,10 | 9,06 | 15,9 | 3341 | 30000 |

IH123

| Mn ₂ [Nm] | i | Pn ₁ [kW] | n ₂ [rpm] | Fr1 [N] | Fr2 [N] |
|-------------------------|-------|-------------------------|-------------------------|------------|------------|
| 5313 | 45,77 | 8,92 | 15,3 | 3366 | 30000 |

IH123

| Mn ₂ [Nm] | i | Pn ₁ [kW] | n ₂ [rpm] | Fr1 [N] | Fr2 [N] |
|-------------------------|--------|-------------------------|-------------------------|------------|------------|
| 5313 | 55,87 | 7,31 | 12,5 | 3486 | 30000 |
| 5313 | 67,32 | 6,06 | 10,4 | 3578 | 30000 |
| 5313 | 73,71 | 5,54 | 9,5 | 3617 | 30000 |
| 5313 | 83,34 | 4,90 | 8,4 | 3665 | 30000 |
| 5313 | 89,97 | 4,54 | 7,8 | 3692 | 30000 |
| 5313 | 100,29 | 4,07 | 7,0 | 3726 | 30000 |
| 5313 | 108,34 | 3,77 | 6,5 | 3749 | 30000 |
| 5313 | 118,62 | 3,44 | 5,9 | 3773 | 30000 |
| 5313 | 128,18 | 3,18 | 5,5 | 3792 | 30000 |
| 5313 | 144,79 | 2,82 | 4,8 | 3819 | 30000 |
| 5313 | 155,22 | 2,63 | 4,5 | 3834 | 30000 |
| 5313 | 172,80 | 2,36 | 4,0 | 3853 | 30000 |
| 5313 | 189,19 | 2,16 | 3,7 | 3869 | 30000 |
| 5313 | 207,43 | 1,97 | 3,4 | 3883 | 30000 |
| 5313 | 230,92 | 1,77 | 3,0 | 3898 | 30000 |

IH142

| Mn ₂ [Nm] | i | Pn ₁ [kW] | n ₂ [rpm] | Fr1 [N] | Fr2 [N] |
|-------------------------|-------|-------------------------|-------------------------|------------|------------|
| 4888 | 5,27 | 69,71 | 132,7 | 4763 | 26746 |
| 5206 | 6,36 | 61,62 | 110,1 | 5430 | 28444 |
| 5313 | 7,04 | 56,74 | 99,4 | 5834 | 29660 |
| 5631 | 7,84 | 54,01 | 89,2 | 6059 | 30370 |
| 6906 | 9,45 | 54,98 | 74,1 | 5979 | 29582 |
| 7650 | 10,47 | 54,95 | 66,8 | 5982 | 29108 |
| 7756 | 13,07 | 44,64 | 53,5 | 6833 | 32777 |
| 8288 | 15,75 | 39,58 | 44,4 | 7251 | 34777 |
| 8394 | 17,45 | 36,17 | 40,1 | 7532 | 36535 |
| 8500 | 20,04 | 31,90 | 34,9 | 7885 | 39125 |
| 8500 | 24,15 | 26,48 | 29,0 | 8333 | 43263 |
| 8500 | 26,76 | 23,89 | 26,1 | 8547 | 45657 |
| 8500 | 32,24 | 19,83 | 21,7 | 8882 | 50210 |
| 8500 | 38,85 | 16,46 | 18,0 | 9160 | 55000 |
| 8500 | 43,05 | 14,85 | 16,3 | 9293 | 55000 |

IH143

| Mn ₂ [Nm] | i | Pn ₁ [kW] | n ₂ [rpm] | Fr1 [N] | Fr2 [N] |
|-------------------------|-------|-------------------------|-------------------------|------------|------------|
| 8500 | 48,35 | 13,51 | 14,5 | 9428 | 55000 |
| 8500 | 53,53 | 12,20 | 13,1 | 9533 | 55000 |
| 8500 | 59,22 | 11,03 | 11,8 | 9628 | 55000 |

IH143

| Mn_2 [Nm] | i | Pn_1 [kW] | n_2 [rpm] | Fr_1 [N] | Fr_2 [N] |
|----------------|--------|----------------|----------------|---------------|---------------|
| 8500 | 62,99 | 10,37 | 11,1 | 9681 | 55000 |
| 8500 | 71,35 | 9,15 | 9,8 | 9780 | 55000 |
| 8500 | 79,07 | 8,26 | 8,8 | 9852 | 55000 |
| 8500 | 86,43 | 7,56 | 8,1 | 9909 | 55000 |
| 8500 | 96,21 | 6,79 | 7,3 | 9971 | 55000 |
| 8500 | 104,51 | 6,25 | 6,7 | 10014 | 55000 |
| 8500 | 115,92 | 5,63 | 6,0 | 10064 | 55000 |
| 8500 | 128,47 | 5,08 | 5,5 | 10109 | 55000 |
| 8500 | 139,55 | 4,68 | 5,0 | 10141 | 55000 |
| 8500 | 154,33 | 4,23 | 4,5 | 10178 | 55000 |
| 8500 | 185,96 | 3,51 | 3,8 | 10236 | 55000 |
| 8500 | 206,08 | 3,17 | 3,4 | 10264 | 55000 |

IHR041

| Mn_2 [Nm] | i | Pn_1 [kW] | n_2 [rpm] | Fr_1 [N] | Fr_2 [N] |
|----------------|------|----------------|----------------|---------------|---------------|
| 30 | 1,44 | 1,54 | 487,0 | 925 | 812 |
| 30 | 2,00 | 1,11 | 350,0 | 1050 | 922 |
| 36 | 2,55 | 1,06 | 275,0 | 1064 | 981 |
| 36 | 2,71 | 0,99 | 257,9 | 1083 | 1000 |
| 47 | 3,11 | 1,12 | 225,4 | 1046 | 1000 |
| 48 | 3,59 | 0,99 | 195,1 | 1083 | 1000 |
| 48 | 4,20 | 0,85 | 166,7 | 1125 | 1000 |
| 48 | 5,00 | 0,71 | 140,0 | 1164 | 1000 |
| 53 | 5,50 | 0,72 | 127,3 | 1162 | 1000 |
| 53 | 6,09 | 0,65 | 114,9 | 1182 | 1000 |
| 53 | 7,67 | 0,52 | 91,3 | 1221 | 1000 |
| 58 | 8,75 | 0,50 | 80,0 | 1226 | 1000 |

IHR051

| Mn_2 [Nm] | i | Pn_1 [kW] | n_2 [rpm] | Fr_1 [N] | Fr_2 [N] |
|----------------|------|----------------|----------------|---------------|---------------|
| 48 | 1,27 | 2,80 | 550,0 | 715 | 2032 |
| 69 | 1,42 | 3,62 | 493,2 | 514 | 1990 |
| 69 | 2,13 | 2,42 | 329,4 | 806 | 2336 |
| 80 | 2,57 | 2,31 | 272,2 | 833 | 2453 |
| 90 | 3,17 | 2,12 | 221,1 | 878 | 2500 |
| 96 | 3,69 | 1,93 | 189,8 | 925 | 2500 |
| 96 | 4,00 | 1,78 | 175,0 | 961 | 2500 |
| 101 | 4,77 | 1,58 | 146,8 | 1011 | 2500 |
| 106 | 5,25 | 1,51 | 133,3 | 1028 | 2500 |

IHR051

| Mn_2 [Nm] | i | Pn_1 [kW] | n2 [rpm] | Fr1 [N] | Fr2 [N] |
|----------------|------|----------------|-------------|------------|------------|
| 106 | 5,82 | 1,36 | 120,3 | 1063 | 2500 |
| 106 | 7,33 | 1,08 | 95,5 | 1132 | 2500 |
| 106 | 8,38 | 0,94 | 83,6 | 1164 | 2500 |

IHR061

| Mn_2 [Nm] | i | Pn_1 [kW] | n2 [rpm] | Fr1 [N] | Fr2 [N] |
|----------------|------|----------------|-------------|------------|------------|
| 106 | 1,34 | 5,89 | 520,9 | 1805 | 2948 |
| 138 | 2,13 | 4,84 | 329,4 | 2013 | 3378 |
| 149 | 2,57 | 4,31 | 272,2 | 2119 | 3593 |
| 149 | 3,17 | 3,50 | 221,1 | 2280 | 3700 |
| 159 | 3,69 | 3,22 | 189,8 | 2336 | 3700 |
| 159 | 4,00 | 2,97 | 175,0 | 2386 | 3700 |
| 170 | 4,77 | 2,65 | 146,8 | 2448 | 3700 |
| 181 | 5,25 | 2,56 | 133,3 | 2466 | 3700 |
| 181 | 5,82 | 2,31 | 120,3 | 2516 | 3700 |
| 181 | 7,33 | 1,83 | 95,5 | 2611 | 3700 |
| 181 | 8,38 | 1,61 | 83,6 | 2656 | 3700 |

IHR081

| Mn_2 [Nm] | i | Pn_1 [kW] | n2 [rpm] | Fr1 [N] | Fr2 [N] |
|----------------|------|----------------|-------------|------------|------------|
| 234 | 1,30 | 13,41 | 539,6 | 565 | 3183 |
| 255 | 1,43 | 13,29 | 490,0 | 588 | 3258 |
| 266 | 1,93 | 10,24 | 362,5 | 1151 | 3637 |
| 313 | 2,54 | 9,18 | 275,4 | 1346 | 3939 |
| 335 | 3,25 | 7,67 | 215,4 | 1625 | 4000 |
| 340 | 3,72 | 6,80 | 188,1 | 1785 | 4000 |
| 340 | 4,00 | 6,33 | 175,0 | 1872 | 4000 |
| 340 | 4,67 | 5,42 | 150,0 | 2039 | 4000 |
| 351 | 5,54 | 4,71 | 126,4 | 2170 | 4000 |
| 361 | 6,08 | 4,42 | 115,1 | 2224 | 4000 |
| 372 | 7,50 | 3,69 | 93,3 | 2358 | 4000 |
| 372 | 8,44 | 3,28 | 82,9 | 2435 | 4000 |

IHR101

| Mn_2 [Nm] | i | Pn_1 [kW] | n2 [rpm] | Fr1 [N] | Fr2 [N] |
|----------------|------|----------------|-------------|------------|------------|
| 468 | 1,29 | 26,92 | 541,5 | 1453 | 3913 |
| 510 | 1,41 | 26,92 | 496,4 | 1454 | 3988 |

IHR101

| Mn_2 [Nm] | i | Pn_1 [kW] | n_2 [rpm] | Fr_1 [N] | Fr_2 [N] |
|----------------|------|----------------|----------------|---------------|---------------|
| 510 | 2,03 | 18,68 | 344,4 | 2222 | 4596 |
| 611 | 2,48 | 18,33 | 282,1 | 2255 | 4821 |
| 648 | 3,27 | 14,74 | 213,9 | 2589 | 5000 |
| 648 | 3,70 | 13,04 | 189,2 | 2748 | 5000 |
| 648 | 4,22 | 11,43 | 165,8 | 2899 | 5000 |
| 659 | 4,88 | 10,06 | 143,6 | 3026 | 5000 |
| 659 | 5,27 | 9,31 | 132,9 | 3096 | 5000 |
| 680 | 6,23 | 8,13 | 112,3 | 3207 | 5000 |
| 691 | 7,55 | 6,81 | 92,8 | 3329 | 5000 |
| 691 | 8,40 | 6,12 | 83,3 | 3393 | 5000 |

IHR121

| Mn_2 [Nm] | i | Pn_1 [kW] | n_2 [rpm] | Fr_1 [N] | Fr_2 [N] |
|----------------|------|----------------|----------------|---------------|---------------|
| 723 | 1,23 | 43,70 | 568,8 | 527 | 4897 |
| 786 | 1,42 | 41,32 | 494,1 | 713 | 5103 |
| 786 | 1,81 | 32,40 | 387,5 | 1408 | 5601 |
| 829 | 2,00 | 30,85 | 350,0 | 1529 | 5779 |
| 871 | 2,48 | 26,15 | 282,3 | 1894 | 6000 |
| 871 | 2,95 | 21,95 | 236,9 | 2222 | 6000 |
| 893 | 3,14 | 21,14 | 222,7 | 2285 | 6000 |
| 903 | 3,58 | 18,79 | 195,6 | 2469 | 6000 |
| 903 | 4,12 | 16,33 | 170,0 | 2660 | 6000 |
| 924 | 4,80 | 14,34 | 145,8 | 2815 | 6000 |
| 935 | 5,21 | 13,35 | 134,2 | 2892 | 6000 |
| 956 | 6,25 | 11,39 | 112,0 | 3045 | 6000 |
| 1063 | 7,70 | 10,27 | 90,9 | 3132 | 6000 |

IHA32

| Mn ₂ [Nm] | i | Pn ₁ [kW] | n ₂ [rpm] | Fr1 [N] | Fr2 [N] |
|-------------------------|-------|-------------------------|-------------------------|------------|------------|
| 86 | 5,38 | 0,85 | 93,0 | 330 | 1545 |
| 86 | 6,52 | 0,71 | 76,7 | 409 | 1647 |
| 81 | 8,11 | 0,53 | 61,6 | 373 | 1772 |
| 97 | 10,94 | 0,47 | 45,7 | 441 | 1958 |
| 86 | 13,25 | 0,35 | 37,7 | 363 | 2000 |
| 86 | 16,49 | 0,28 | 30,3 | 398 | 2000 |
| 97 | 20,26 | 0,26 | 24,7 | 453 | 2000 |
| 91 | 24,55 | 0,20 | 20,4 | 386 | 2000 |
| 86 | 30,55 | 0,15 | 16,4 | 374 | 2000 |
| 97 | 35,44 | 0,15 | 14,1 | 480 | 2000 |
| 97 | 44,10 | 0,12 | 11,3 | 398 | 2000 |
| 86 | 48,75 | 0,09 | 10,3 | 398 | 2000 |
| 102 | 60,67 | 0,09 | 8,2 | 472 | 2000 |

IHA33

| Mn ₂ [Nm] | i | Pn ₁ [kW] | n ₂ [rpm] | Fr1 [N] | Fr2 [N] |
|-------------------------|--------|-------------------------|-------------------------|------------|------------|
| 108 | 51,32 | 0,11 | 9,7 | 472 | 2000 |
| 108 | 59,65 | 0,10 | 8,4 | 472 | 2000 |
| 108 | 72,27 | 0,08 | 6,9 | 472 | 2000 |
| 108 | 89,94 | 0,07 | 5,6 | 472 | 2000 |
| 108 | 110,51 | 0,05 | 4,5 | 472 | 2000 |
| 108 | 133,88 | 0,04 | 3,7 | 472 | 2000 |
| 108 | 166,61 | 0,04 | 3,0 | 472 | 2000 |
| 108 | 193,30 | 0,03 | 2,6 | 472 | 2000 |
| 108 | 240,55 | 0,02 | 2,1 | 472 | 2000 |
| 108 | 279,07 | 0,02 | 1,8 | 472 | 2000 |
| 108 | 347,29 | 0,02 | 1,4 | 472 | 2000 |

IHA41

| Mn ₂ [Nm] | i | Pn ₁ [kW] | n ₂ [rpm] | Fr1 [N] | Fr2 [N] |
|-------------------------|-------|-------------------------|-------------------------|------------|------------|
| 27 | 1,45 | 0,98 | 345,2 | 330 | 721 |
| 27 | 2,94 | 0,48 | 169,8 | 330 | 914 |
| 32 | 4,75 | 0,36 | 105,3 | 330 | 1071 |
| 32 | 5,45 | 0,31 | 91,7 | 330 | 1100 |
| 27 | 7,88 | 0,18 | 63,5 | 330 | 1100 |
| 22 | 10,83 | 0,11 | 46,1 | 330 | 1100 |

IHA42

| Mn_2 [Nm] | i | Pn_1 [kW] | n2 [rpm] | Fr1 [N] | Fr2 [N] |
|----------------|-------|----------------|-------------|------------|------------|
| 151 | 5,38 | 1,50 | 93,0 | 330 | 3253 |
| 151 | 6,52 | 1,23 | 76,7 | 409 | 3468 |
| 140 | 8,11 | 0,92 | 61,6 | 369 | 3730 |
| 161 | 10,94 | 0,79 | 45,7 | 424 | 4121 |
| 151 | 13,25 | 0,61 | 37,7 | 381 | 4300 |
| 151 | 16,49 | 0,49 | 30,3 | 398 | 4300 |
| 161 | 20,26 | 0,43 | 24,7 | 432 | 4300 |
| 167 | 24,55 | 0,36 | 20,4 | 422 | 4300 |
| 151 | 30,55 | 0,26 | 16,4 | 359 | 4300 |
| 161 | 35,44 | 0,24 | 14,1 | 457 | 4300 |
| 151 | 44,10 | 0,18 | 11,3 | 371 | 4300 |
| 124 | 48,75 | 0,14 | 10,3 | 416 | 4300 |
| 140 | 60,67 | 0,12 | 8,2 | 428 | 4300 |

IHA43

| Mn_2 [Nm] | i | Pn_1 [kW] | n2 [rpm] | Fr1 [N] | Fr2 [N] |
|----------------|--------|----------------|-------------|------------|------------|
| 161 | 51,32 | 0,17 | 9,7 | 427 | 4300 |
| 161 | 59,65 | 0,15 | 8,4 | 426 | 4300 |
| 161 | 72,27 | 0,12 | 6,9 | 409 | 4300 |
| 161 | 89,94 | 0,10 | 5,6 | 398 | 4300 |
| 161 | 110,51 | 0,08 | 4,5 | 403 | 4300 |
| 161 | 133,88 | 0,07 | 3,7 | 409 | 4300 |
| 161 | 166,61 | 0,05 | 3,0 | 398 | 4300 |
| 161 | 193,30 | 0,05 | 2,6 | 427 | 4300 |
| 161 | 240,55 | 0,04 | 2,1 | 398 | 4300 |
| 161 | 279,07 | 0,03 | 1,8 | 427 | 4300 |
| 161 | 347,29 | 0,03 | 1,4 | 398 | 4300 |

IHA51

| Mn_2 [Nm] | i | Pn_1 [kW] | n2 [rpm] | Fr1 [N] | Fr2 [N] |
|----------------|-------|----------------|-------------|------------|------------|
| 43 | 1,45 | 1,57 | 345,2 | 330 | 1987 |
| 43 | 2,94 | 0,77 | 169,8 | 330 | 2517 |
| 54 | 4,75 | 0,60 | 105,3 | 330 | 2952 |
| 54 | 5,45 | 0,52 | 91,7 | 330 | 3000 |
| 43 | 7,88 | 0,29 | 63,5 | 330 | 3000 |
| 27 | 10,83 | 0,13 | 46,1 | 330 | 3000 |

IHA52

| Mn ₂ [Nm] | i | Pn ₁ [kW] | n ₂ [rpm] | Fr1 [N] | Fr2 [N] |
|-------------------------|-------|-------------------------|-------------------------|------------|------------|
| 258 | 5,14 | 2,68 | 97,2 | 550 | 4006 |
| 258 | 6,22 | 2,22 | 80,4 | 682 | 4269 |
| 258 | 7,73 | 1,78 | 64,7 | 664 | 4589 |
| 323 | 9,64 | 1,79 | 51,9 | 827 | 4940 |
| 301 | 11,67 | 1,38 | 42,9 | 636 | 5264 |
| 301 | 14,50 | 1,11 | 34,5 | 664 | 5659 |
| 323 | 16,91 | 1,02 | 29,6 | 758 | 5957 |
| 312 | 20,46 | 0,81 | 24,4 | 659 | 6000 |
| 301 | 25,43 | 0,63 | 19,7 | 641 | 6000 |
| 323 | 29,89 | 0,58 | 16,7 | 752 | 6000 |
| 323 | 36,17 | 0,48 | 13,8 | 682 | 6000 |
| 301 | 44,95 | 0,36 | 11,1 | 620 | 6000 |
| 323 | 49,78 | 0,35 | 10,0 | 798 | 6000 |
| 312 | 61,87 | 0,27 | 8,1 | 642 | 6000 |

IHA53

| Mn ₂ [Nm] | i | Pn ₁ [kW] | n ₂ [rpm] | Fr1 [N] | Fr2 [N] |
|-------------------------|--------|-------------------------|-------------------------|------------|------------|
| 323 | 49,80 | 0,35 | 10,0 | 330 | 6000 |
| 323 | 60,25 | 0,29 | 8,3 | 409 | 6000 |
| 323 | 74,88 | 0,24 | 6,7 | 398 | 6000 |
| 323 | 88,02 | 0,20 | 5,7 | 421 | 6000 |
| 323 | 111,61 | 0,16 | 4,5 | 390 | 6000 |
| 323 | 138,71 | 0,13 | 3,6 | 398 | 6000 |
| 323 | 163,05 | 0,11 | 3,1 | 421 | 6000 |
| 323 | 200,27 | 0,09 | 2,5 | 403 | 6000 |
| 323 | 235,41 | 0,07 | 2,1 | 421 | 6000 |
| 323 | 284,81 | 0,06 | 1,8 | 409 | 6000 |
| 323 | 353,98 | 0,05 | 1,4 | 398 | 6000 |

IHA61

| Mn ₂ [Nm] | i | Pn ₁ [kW] | n ₂ [rpm] | Fr1 [N] | Fr2 [N] |
|-------------------------|-------|-------------------------|-------------------------|------------|------------|
| 97 | 1,33 | 3,84 | 375,0 | 550 | 2893 |
| 97 | 2,50 | 2,05 | 200,0 | 550 | 3568 |
| 118 | 4,38 | 1,43 | 114,0 | 550 | 4303 |
| 97 | 7,75 | 0,66 | 64,5 | 550 | 4500 |
| 75 | 10,67 | 0,37 | 46,9 | 550 | 4500 |

IHA62

| Mn ₂ [Nm] | i | Pn ₁ [kW] | n ₂ [rpm] | Fr1 [N] | Fr2 [N] |
|-------------------------|-------|-------------------------|-------------------------|------------|------------|
| 409 | 5,14 | 4,25 | 97,2 | 550 | 5913 |
| 409 | 6,22 | 3,51 | 80,4 | 682 | 6300 |
| 409 | 7,73 | 2,82 | 64,7 | 664 | 6774 |
| 495 | 9,64 | 2,74 | 51,9 | 801 | 7291 |
| 473 | 11,67 | 2,17 | 42,9 | 652 | 7769 |
| 452 | 14,50 | 1,66 | 34,5 | 634 | 8000 |
| 538 | 16,91 | 1,70 | 29,6 | 842 | 8000 |
| 495 | 20,46 | 1,29 | 24,4 | 627 | 8000 |
| 462 | 25,43 | 0,97 | 19,7 | 621 | 8000 |
| 484 | 29,89 | 0,87 | 16,7 | 734 | 8000 |
| 505 | 36,17 | 0,75 | 13,8 | 712 | 8000 |
| 473 | 44,95 | 0,56 | 11,1 | 621 | 8000 |
| 398 | 49,78 | 0,43 | 10,0 | 626 | 8000 |
| 473 | 61,87 | 0,41 | 8,1 | 789 | 8000 |

IHA63

| Mn ₂ [Nm] | i | Pn ₁ [kW] | n ₂ [rpm] | Fr1 [N] | Fr2 [N] |
|-------------------------|--------|-------------------------|-------------------------|------------|------------|
| 516 | 49,80 | 0,57 | 10,0 | 330 | 8000 |
| 516 | 60,25 | 0,47 | 8,3 | 409 | 8000 |
| 516 | 74,88 | 0,38 | 6,7 | 398 | 8000 |
| 516 | 88,02 | 0,32 | 5,7 | 421 | 8000 |
| 516 | 111,61 | 0,25 | 4,5 | 390 | 8000 |
| 516 | 138,71 | 0,20 | 3,6 | 398 | 8000 |
| 516 | 163,05 | 0,17 | 3,1 | 421 | 8000 |
| 516 | 200,27 | 0,14 | 2,5 | 403 | 8000 |
| 516 | 235,41 | 0,12 | 2,1 | 421 | 8000 |
| 516 | 284,81 | 0,10 | 1,8 | 409 | 8000 |
| 516 | 353,98 | 0,08 | 1,4 | 398 | 8000 |

IH032

| Mn ₂ [Nm] | i | Pn ₁ [kW] | n ₂ [rpm] | Fr1 [N] | Fr2 [N] |
|-------------------------|-------|-------------------------|-------------------------|------------|------------|
| 102 | 4,70 | 1,16 | 106,5 | 647 | 4553 |
| 113 | 6,23 | 0,97 | 80,3 | 773 | 4995 |
| 134 | 7,76 | 0,93 | 64,4 | 801 | 5241 |
| 140 | 8,87 | 0,84 | 56,4 | 855 | 5486 |
| 151 | 10,14 | 0,79 | 49,3 | 888 | 5500 |
| 156 | 11,76 | 0,71 | 42,5 | 943 | 5500 |
| 183 | 13,72 | 0,71 | 36,4 | 940 | 5500 |
| 183 | 14,66 | 0,67 | 34,1 | 970 | 5500 |

IH032

| Mn_2 [Nm] | i | Pn_1 [kW] | n_2 [rpm] | Fr_1 [N] | Fr_2 [N] |
|----------------|-------|----------------|----------------|---------------|---------------|
| 204 | 16,77 | 0,65 | 29,8 | 980 | 5500 |
| 215 | 18,20 | 0,63 | 27,5 | 993 | 5500 |
| 215 | 19,90 | 0,58 | 25,1 | 1028 | 5500 |
| 215 | 22,68 | 0,51 | 22,1 | 1074 | 5500 |
| 215 | 23,83 | 0,48 | 21,0 | 1090 | 5500 |
| 215 | 26,39 | 0,44 | 18,9 | 1120 | 5500 |
| 215 | 29,70 | 0,39 | 16,8 | 1152 | 5500 |
| 215 | 32,89 | 0,35 | 15,2 | 1176 | 5500 |
| 215 | 37,92 | 0,30 | 13,2 | 1207 | 5500 |
| 215 | 41,40 | 0,28 | 12,1 | 1223 | 5500 |
| 215 | 47,25 | 0,24 | 10,6 | 1245 | 5500 |

IH033

| Mn_2 [Nm] | i | Pn_1 [kW] | n_2 [rpm] | Fr_1 [N] | Fr_2 [N] |
|----------------|--------|----------------|----------------|---------------|---------------|
| 215 | 53,59 | 0,22 | 9,3 | 1264 | 5500 |
| 215 | 66,78 | 0,18 | 7,5 | 1292 | 5500 |
| 215 | 74,84 | 0,16 | 6,7 | 1304 | 5500 |
| 215 | 99,27 | 0,12 | 5,0 | 1328 | 5500 |
| 215 | 108,05 | 0,11 | 4,6 | 1335 | 5500 |
| 215 | 123,71 | 0,09 | 4,0 | 1343 | 5500 |
| 215 | 143,33 | 0,08 | 3,5 | 1352 | 5500 |
| 215 | 178,61 | 0,07 | 2,8 | 1362 | 5500 |
| 215 | 197,17 | 0,06 | 2,5 | 1366 | 5500 |
| 215 | 245,70 | 0,05 | 2,0 | 1373 | 5500 |

IH042

| Mn_2 [Nm] | i | Pn_1 [kW] | n_2 [rpm] | Fr_1 [N] | Fr_2 [N] |
|----------------|-------|----------------|----------------|---------------|---------------|
| 172 | 5,46 | 1,68 | 91,5 | 359 | 5916 |
| 172 | 7,19 | 1,28 | 69,6 | 616 | 6600 |
| 226 | 8,91 | 1,35 | 56,1 | 568 | 6600 |
| 258 | 10,31 | 1,34 | 48,5 | 579 | 6600 |
| 269 | 11,80 | 1,22 | 42,4 | 655 | 6600 |
| 269 | 13,57 | 1,06 | 36,8 | 756 | 6600 |
| 269 | 15,96 | 0,90 | 31,3 | 857 | 6600 |
| 269 | 19,00 | 0,76 | 26,3 | 948 | 6600 |
| 269 | 21,00 | 0,68 | 23,8 | 994 | 6600 |
| 280 | 23,15 | 0,65 | 21,6 | 1018 | 6600 |
| 280 | 26,04 | 0,57 | 19,2 | 1064 | 6600 |
| 301 | 27,50 | 0,59 | 18,2 | 1057 | 6600 |

IH042

| Mn ₂ [Nm] | i | Pn ₁ [kW] | n ₂ [rpm] | Fr1 [N] | Fr2 [N] |
|-------------------------|-------|-------------------------|-------------------------|------------|------------|
| 301 | 30,45 | 0,53 | 16,4 | 1093 | 6600 |
| 301 | 34,10 | 0,47 | 14,7 | 1129 | 6600 |
| 301 | 37,76 | 0,43 | 13,2 | 1158 | 6600 |
| 301 | 43,75 | 0,37 | 11,4 | 1195 | 6600 |
| 301 | 47,53 | 0,34 | 10,5 | 1213 | 6600 |
| 301 | 54,25 | 0,30 | 9,2 | 1240 | 6600 |

IH043

| Mn ₂ [Nm] | i | Pn ₁ [kW] | n ₂ [rpm] | Fr1 [N] | Fr2 [N] |
|-------------------------|--------|-------------------------|-------------------------|------------|------------|
| 323 | 61,83 | 0,28 | 8,1 | 1251 | 6600 |
| 323 | 76,67 | 0,23 | 6,5 | 1286 | 6600 |
| 323 | 87,05 | 0,20 | 5,7 | 1303 | 6600 |
| 323 | 114,55 | 0,15 | 4,4 | 1333 | 6600 |
| 323 | 125,69 | 0,14 | 4,0 | 1341 | 6600 |
| 323 | 142,04 | 0,12 | 3,5 | 1351 | 6600 |
| 323 | 165,38 | 0,11 | 3,0 | 1362 | 6600 |
| 323 | 205,07 | 0,09 | 2,4 | 1375 | 6600 |
| 323 | 227,50 | 0,08 | 2,2 | 1380 | 6600 |
| 323 | 282,10 | 0,06 | 1,8 | 1390 | 6600 |

IH052

| Mn ₂ [Nm] | i | Pn ₁ [kW] | n ₂ [rpm] | Fr1 [N] | Fr2 [N] |
|-------------------------|-------|-------------------------|-------------------------|------------|------------|
| 280 | 5,73 | 2,61 | 87,3 | 174 | 7357 |
| 312 | 6,89 | 2,42 | 72,5 | 264 | 7730 |
| 366 | 8,53 | 2,29 | 58,6 | 323 | 8000 |
| 398 | 9,56 | 2,22 | 52,3 | 355 | 8000 |
| 419 | 11,51 | 1,95 | 43,4 | 485 | 8000 |
| 462 | 14,24 | 1,74 | 35,1 | 584 | 8000 |
| 484 | 16,59 | 1,56 | 30,1 | 667 | 8000 |
| 495 | 18,00 | 1,47 | 27,8 | 709 | 8000 |
| 495 | 19,97 | 1,32 | 25,0 | 777 | 8000 |
| 505 | 21,67 | 1,25 | 23,1 | 813 | 8000 |
| 505 | 24,71 | 1,09 | 20,2 | 885 | 8000 |
| 527 | 26,18 | 1,08 | 19,1 | 894 | 8000 |
| 527 | 28,44 | 0,99 | 17,6 | 934 | 8000 |
| 527 | 31,52 | 0,89 | 15,9 | 979 | 8000 |
| 527 | 33,00 | 0,85 | 15,2 | 998 | 8000 |
| 527 | 38,98 | 0,72 | 12,8 | 1059 | 8000 |
| 527 | 45,36 | 0,62 | 11,0 | 1107 | 8000 |

IH052

| Mn ₂ [Nm] | i | Pn ₁ [kW] | n ₂ [rpm] | Fr1 [N] | Fr2 [N] |
|-------------------------|-------|-------------------------|-------------------------|------------|------------|
| 527 | 49,13 | 0,57 | 10,2 | 1129 | 8000 |
| 527 | 56,11 | 0,50 | 8,9 | 1163 | 8000 |

IH053

| Mn ₂ [Nm] | i | Pn ₁ [kW] | n ₂ [rpm] | Fr1 [N] | Fr2 [N] |
|-------------------------|--------|-------------------------|-------------------------|------------|------------|
| 538 | 58,81 | 0,50 | 8,5 | 1169 | 8000 |
| 538 | 72,75 | 0,40 | 6,9 | 1213 | 8000 |
| 538 | 90,51 | 0,32 | 5,5 | 1249 | 8000 |
| 538 | 108,95 | 0,27 | 4,6 | 1275 | 8000 |
| 538 | 134,76 | 0,22 | 3,7 | 1298 | 8000 |
| 538 | 157,29 | 0,19 | 3,2 | 1313 | 8000 |
| 538 | 194,56 | 0,15 | 2,6 | 1329 | 8000 |
| 538 | 216,38 | 0,14 | 2,3 | 1336 | 8000 |
| 538 | 267,65 | 0,11 | 1,9 | 1348 | 8000 |

IH062

| Mn ₂ [Nm] | i | Pn ₁ [kW] | n ₂ [rpm] | Fr1 [N] | Fr2 [N] |
|-------------------------|-------|-------------------------|-------------------------|------------|------------|
| 538 | 5,38 | 5,35 | 93,0 | 703 | 11929 |
| 591 | 5,93 | 5,33 | 84,2 | 712 | 12000 |
| 591 | 7,39 | 4,28 | 67,7 | 1131 | 12000 |
| 645 | 8,50 | 4,06 | 58,8 | 1219 | 12000 |
| 645 | 9,39 | 3,67 | 53,3 | 1372 | 12000 |
| 699 | 11,69 | 3,20 | 42,8 | 1563 | 12000 |
| 753 | 12,67 | 3,18 | 39,5 | 1571 | 12000 |
| 753 | 14,75 | 2,73 | 33,9 | 1751 | 12000 |
| 860 | 16,29 | 2,82 | 30,7 | 1713 | 12000 |
| 892 | 17,67 | 2,70 | 28,3 | 1762 | 12000 |
| 914 | 20,28 | 2,41 | 24,6 | 1878 | 12000 |
| 914 | 23,27 | 2,10 | 21,5 | 2002 | 12000 |
| 914 | 25,70 | 1,90 | 19,5 | 2081 | 12000 |
| 860 | 29,33 | 1,57 | 17,1 | 2215 | 12000 |
| 914 | 32,00 | 1,53 | 15,6 | 2231 | 12000 |
| 860 | 36,99 | 1,24 | 13,5 | 2345 | 12000 |
| 914 | 40,33 | 1,21 | 12,4 | 2357 | 12000 |
| 914 | 46,06 | 1,06 | 10,8 | 2417 | 12000 |

IH063

| Mn ₂ [Nm] | i | Pn ₁ [kW] | n ₂ [rpm] | Fr1 [N] | Fr2 [N] |
|-------------------------|--------|-------------------------|-------------------------|------------|------------|
| 914 | 49,45 | 1,01 | 10,1 | 2447 | 12000 |
| 914 | 54,61 | 0,91 | 9,2 | 2484 | 12000 |
| 914 | 68,00 | 0,73 | 7,3 | 2554 | 12000 |
| 914 | 85,82 | 0,58 | 5,8 | 2614 | 12000 |
| 914 | 94,76 | 0,53 | 5,3 | 2635 | 12000 |
| 914 | 118,00 | 0,42 | 4,2 | 2676 | 12000 |
| 914 | 135,40 | 0,37 | 3,7 | 2697 | 12000 |
| 914 | 149,51 | 0,33 | 3,3 | 2711 | 12000 |
| 914 | 170,67 | 0,29 | 2,9 | 2727 | 12000 |
| 914 | 186,18 | 0,27 | 2,7 | 2737 | 12000 |
| 914 | 215,21 | 0,23 | 2,3 | 2751 | 12000 |
| 914 | 234,67 | 0,21 | 2,1 | 2758 | 12000 |
| 914 | 268,00 | 0,19 | 1,9 | 2769 | 12000 |

IH082

| Mn ₂ [Nm] | i | Pn ₁ [kW] | n ₂ [rpm] | Fr1 [N] | Fr2 [N] |
|-------------------------|-------|-------------------------|-------------------------|------------|------------|
| 753 | 5,39 | 7,47 | 92,8 | 651 | 14821 |
| 753 | 5,95 | 6,77 | 84,1 | 872 | 15430 |
| 860 | 7,39 | 6,22 | 67,6 | 1045 | 16361 |
| 860 | 8,02 | 5,73 | 62,3 | 1198 | 16918 |
| 968 | 8,85 | 5,84 | 56,5 | 1163 | 17122 |
| 1183 | 11,01 | 5,74 | 45,4 | 1195 | 17763 |
| 1505 | 13,50 | 5,96 | 37,0 | 1126 | 17920 |
| 1613 | 14,90 | 5,79 | 33,6 | 1181 | 18000 |
| 1613 | 16,62 | 5,19 | 30,1 | 1370 | 18000 |
| 1613 | 18,53 | 4,65 | 27,0 | 1539 | 18000 |
| 1720 | 19,38 | 4,74 | 25,8 | 1510 | 18000 |
| 1720 | 21,39 | 4,30 | 23,4 | 1651 | 18000 |
| 1720 | 22,80 | 4,03 | 21,9 | 1735 | 18000 |
| 1720 | 26,60 | 3,46 | 18,8 | 1917 | 18000 |
| 1720 | 27,88 | 3,30 | 17,9 | 1967 | 18000 |
| 1720 | 31,15 | 2,95 | 16,1 | 2076 | 18000 |
| 1720 | 34,38 | 2,68 | 14,6 | 2164 | 18000 |
| 1720 | 38,70 | 2,38 | 12,9 | 2258 | 18000 |
| 1720 | 42,75 | 2,15 | 11,7 | 2329 | 18000 |
| 1720 | 48,13 | 1,91 | 10,4 | 2405 | 18000 |

IH083

| Mn ₂ [Nm] | i | Pn ₁ [kW] | n ₂ [rpm] | Fr1 [N] | Fr2 [N] |
|-------------------------|--------|-------------------------|-------------------------|------------|------------|
| 1720 | 56,53 | 1,66 | 8,8 | 2494 | 18000 |
| 1935 | 71,48 | 1,48 | 7,0 | 2551 | 18000 |
| 1935 | 78,87 | 1,34 | 6,3 | 2594 | 18000 |
| 1935 | 85,56 | 1,24 | 5,8 | 2626 | 18000 |
| 1935 | 98,09 | 1,08 | 5,1 | 2675 | 18000 |
| 1935 | 112,78 | 0,94 | 4,4 | 2718 | 18000 |
| 1935 | 124,44 | 0,85 | 4,0 | 2746 | 18000 |
| 1935 | 142,15 | 0,74 | 3,5 | 2778 | 18000 |
| 1935 | 154,76 | 0,68 | 3,2 | 2797 | 18000 |
| 1935 | 162,35 | 0,65 | 3,1 | 2807 | 18000 |
| 1935 | 179,13 | 0,59 | 2,8 | 2826 | 18000 |
| 1935 | 195,07 | 0,54 | 2,6 | 2841 | 18000 |
| 1935 | 222,78 | 0,47 | 2,2 | 2861 | 18000 |

IH102

| Mn ₂ [Nm] | i | Pn ₁ [kW] | n ₂ [rpm] | Fr1 [N] | Fr2 [N] |
|-------------------------|-------|-------------------------|-------------------------|------------|------------|
| 1935 | 5,26 | 19,66 | 95,0 | 1554 | 16910 |
| 2150 | 6,36 | 18,09 | 78,7 | 1757 | 17669 |
| 2473 | 7,05 | 18,75 | 70,9 | 1671 | 17355 |
| 2688 | 8,27 | 17,37 | 60,4 | 1850 | 18004 |
| 3010 | 9,99 | 16,11 | 50,0 | 2012 | 18611 |
| 3225 | 11,09 | 15,56 | 45,1 | 2083 | 18853 |
| 3333 | 13,32 | 13,37 | 37,5 | 2365 | 20412 |
| 3440 | 16,09 | 11,43 | 31,1 | 2616 | 22000 |
| 3440 | 17,85 | 10,30 | 28,0 | 2761 | 22000 |
| 3440 | 19,85 | 9,27 | 25,2 | 2895 | 22000 |
| 3440 | 21,44 | 8,58 | 23,3 | 2984 | 22000 |
| 3548 | 23,97 | 7,91 | 20,9 | 3070 | 22000 |
| 3548 | 25,89 | 7,33 | 19,3 | 3146 | 22000 |
| 3548 | 28,73 | 6,60 | 17,4 | 3239 | 22000 |
| 3440 | 30,72 | 5,99 | 16,3 | 3319 | 22000 |
| 3440 | 34,20 | 5,38 | 14,6 | 3397 | 22000 |
| 3010 | 38,45 | 4,19 | 13,0 | 3551 | 22000 |
| 3548 | 41,30 | 4,59 | 12,1 | 3499 | 22000 |
| 3548 | 45,82 | 4,14 | 10,9 | 3557 | 22000 |
| 3548 | 51,52 | 3,68 | 9,7 | 3616 | 22000 |

IH103

| Mn ₂ [Nm] | i | Pn ₁ [kW] | n ₂ [rpm] | Fr1 [N] | Fr2 [N] |
|-------------------------|--------|-------------------------|-------------------------|------------|------------|
| 3763 | 55,47 | 3,70 | 9,0 | 3623 | 22000 |
| 3763 | 69,69 | 2,95 | 7,2 | 3719 | 22000 |
| 3763 | 79,82 | 2,57 | 6,3 | 3766 | 22000 |
| 3763 | 84,16 | 2,44 | 5,9 | 3783 | 22000 |
| 3763 | 93,36 | 2,20 | 5,4 | 3813 | 22000 |
| 3763 | 100,07 | 2,05 | 5,0 | 3832 | 22000 |
| 3763 | 120,84 | 1,70 | 4,1 | 3877 | 22000 |
| 3763 | 134,06 | 1,53 | 3,7 | 3898 | 22000 |
| 3763 | 143,42 | 1,43 | 3,5 | 3910 | 22000 |
| 3763 | 160,82 | 1,28 | 3,1 | 3930 | 22000 |
| 3763 | 181,07 | 1,13 | 2,8 | 3948 | 22000 |
| 3763 | 194,21 | 1,06 | 2,6 | 3958 | 22000 |
| 3763 | 215,45 | 0,95 | 2,3 | 3971 | 22000 |
| 3870 | 242,59 | 0,87 | 2,1 | 3981 | 22000 |

IH122

| Mn ₂ [Nm] | i | Pn ₁ [kW] | n ₂ [rpm] | Fr1 [N] | Fr2 [N] |
|-------------------------|-------|-------------------------|-------------------------|------------|------------|
| 3225 | 5,27 | 32,69 | 94,8 | 534 | 24467 |
| 3440 | 5,78 | 31,85 | 86,6 | 624 | 24843 |
| 3870 | 7,05 | 29,35 | 70,9 | 891 | 25926 |
| 3978 | 7,74 | 27,47 | 64,6 | 1092 | 26799 |
| 4085 | 8,48 | 25,77 | 59,0 | 1274 | 27668 |
| 4300 | 10,35 | 22,22 | 48,3 | 1653 | 29780 |
| 4730 | 12,66 | 19,97 | 39,5 | 1894 | 30000 |
| 4945 | 13,86 | 19,07 | 36,1 | 1990 | 30000 |
| 5160 | 16,92 | 16,30 | 29,6 | 2286 | 30000 |
| 5375 | 19,32 | 14,87 | 25,9 | 2439 | 30000 |
| 5375 | 20,57 | 13,97 | 24,3 | 2536 | 30000 |
| 5375 | 22,52 | 12,76 | 22,2 | 2665 | 30000 |
| 5375 | 24,47 | 11,75 | 20,4 | 2773 | 30000 |
| 5375 | 27,49 | 10,45 | 18,2 | 2912 | 30000 |
| 5375 | 29,86 | 9,62 | 16,7 | 3000 | 30000 |
| 5375 | 33,00 | 8,71 | 15,2 | 3098 | 30000 |
| 5375 | 36,13 | 7,95 | 13,8 | 3179 | 30000 |
| 5375 | 44,10 | 6,52 | 11,3 | 3332 | 30000 |

IH123

| Mn ₂ [Nm] | i | Pn ₁ [kW] | n ₂ [rpm] | Fr1 [N] | Fr2 [N] |
|-------------------------|-------|-------------------------|-------------------------|------------|------------|
| 5375 | 45,77 | 6,41 | 10,9 | 3358 | 30000 |

IH123

| Mn ₂ [Nm] | i | Pn ₁ [kW] | n ₂ [rpm] | Fr1 [N] | Fr2 [N] |
|-------------------------|--------|-------------------------|-------------------------|------------|------------|
| 5375 | 55,87 | 5,25 | 8,9 | 3479 | 30000 |
| 5375 | 67,32 | 4,36 | 7,4 | 3573 | 30000 |
| 5375 | 73,71 | 3,98 | 6,8 | 3612 | 30000 |
| 5375 | 83,34 | 3,52 | 6,0 | 3660 | 30000 |
| 5375 | 89,97 | 3,26 | 5,6 | 3688 | 30000 |
| 5375 | 100,29 | 2,93 | 5,0 | 3723 | 30000 |
| 5375 | 108,34 | 2,71 | 4,6 | 3746 | 30000 |
| 5375 | 118,62 | 2,47 | 4,2 | 3770 | 30000 |
| 5375 | 128,18 | 2,29 | 3,9 | 3789 | 30000 |
| 5375 | 144,79 | 2,03 | 3,5 | 3817 | 30000 |
| 5375 | 155,22 | 1,89 | 3,2 | 3831 | 30000 |
| 5375 | 172,80 | 1,70 | 2,9 | 3851 | 30000 |
| 5375 | 189,19 | 1,55 | 2,6 | 3867 | 30000 |
| 5375 | 207,43 | 1,41 | 2,4 | 3881 | 30000 |
| 5375 | 230,92 | 1,27 | 2,2 | 3896 | 30000 |

IH142

| Mn ₂ [Nm] | i | Pn ₁ [kW] | n ₂ [rpm] | Fr1 [N] | Fr2 [N] |
|-------------------------|-------|-------------------------|-------------------------|------------|------------|
| 4945 | 5,27 | 50,13 | 94,8 | 4695 | 31484 |
| 5268 | 6,36 | 44,32 | 78,7 | 5370 | 33486 |
| 5375 | 7,04 | 40,80 | 71,0 | 5778 | 34880 |
| 5698 | 7,84 | 38,84 | 63,8 | 6007 | 35776 |
| 6988 | 9,45 | 39,54 | 52,9 | 5926 | 35303 |
| 7740 | 10,47 | 39,52 | 47,7 | 5928 | 35010 |
| 7848 | 13,07 | 32,10 | 38,2 | 6790 | 39149 |
| 8385 | 15,75 | 28,47 | 31,8 | 7212 | 41556 |
| 8493 | 17,45 | 26,01 | 28,6 | 7497 | 43556 |
| 8600 | 20,04 | 22,94 | 24,9 | 7854 | 46487 |
| 8600 | 24,15 | 19,04 | 20,7 | 8307 | 51117 |
| 8600 | 26,76 | 17,18 | 18,7 | 8523 | 53795 |
| 8600 | 32,24 | 14,26 | 15,5 | 8863 | 55000 |
| 8600 | 38,85 | 11,84 | 12,9 | 9145 | 55000 |
| 8600 | 43,05 | 10,68 | 11,6 | 9279 | 55000 |

IH143

| Mn ₂ [Nm] | i | Pn ₁ [kW] | n ₂ [rpm] | Fr1 [N] | Fr2 [N] |
|-------------------------|-------|-------------------------|-------------------------|------------|------------|
| 8600 | 48,35 | 9,71 | 10,3 | 9415 | 55000 |
| 8600 | 53,53 | 8,77 | 9,3 | 9522 | 55000 |
| 8600 | 59,22 | 7,93 | 8,4 | 9618 | 55000 |

IH143

| Mn_2 [Nm] | i | Pn_1 [kW] | n2 [rpm] | Fr1 [N] | Fr2 [N] |
|----------------|--------|----------------|-------------|------------|------------|
| 8600 | 62,99 | 7,46 | 7,9 | 9672 | 55000 |
| 8600 | 71,35 | 6,58 | 7,0 | 9771 | 55000 |
| 8600 | 79,07 | 5,94 | 6,3 | 9844 | 55000 |
| 8600 | 86,43 | 5,43 | 5,8 | 9902 | 55000 |
| 8600 | 96,21 | 4,88 | 5,2 | 9964 | 55000 |
| 8600 | 104,51 | 4,49 | 4,8 | 10009 | 55000 |
| 8600 | 115,92 | 4,05 | 4,3 | 10059 | 55000 |
| 8600 | 128,47 | 3,66 | 3,9 | 10104 | 55000 |
| 8600 | 139,55 | 3,37 | 3,6 | 10137 | 55000 |
| 8600 | 154,33 | 3,04 | 3,2 | 10174 | 55000 |
| 8600 | 185,96 | 2,53 | 2,7 | 10232 | 55000 |
| 8600 | 206,08 | 2,28 | 2,4 | 10260 | 55000 |

IHR041

| Mn_2 [Nm] | i | Pn_1 [kW] | n2 [rpm] | Fr1 [N] | Fr2 [N] |
|----------------|------|----------------|-------------|------------|------------|
| 30 | 1,44 | 1,11 | 347,8 | 919 | 923 |
| 30 | 2,00 | 0,80 | 250,0 | 1046 | 1000 |
| 37 | 2,55 | 0,76 | 196,4 | 1061 | 1000 |
| 37 | 2,71 | 0,71 | 184,2 | 1080 | 1000 |
| 47 | 3,11 | 0,81 | 161,0 | 1042 | 1000 |
| 48 | 3,59 | 0,71 | 139,3 | 1080 | 1000 |
| 48 | 4,20 | 0,61 | 119,0 | 1122 | 1000 |
| 48 | 5,00 | 0,51 | 100,0 | 1162 | 1000 |
| 54 | 5,50 | 0,52 | 90,9 | 1160 | 1000 |
| 54 | 6,09 | 0,47 | 82,1 | 1180 | 1000 |
| 54 | 7,67 | 0,37 | 65,2 | 1219 | 1000 |
| 59 | 8,75 | 0,36 | 57,1 | 1224 | 1000 |

IHR051

| Mn_2 [Nm] | i | Pn_1 [kW] | n2 [rpm] | Fr1 [N] | Fr2 [N] |
|----------------|------|----------------|-------------|------------|------------|
| 48 | 1,27 | 2,01 | 392,9 | 707 | 2304 |
| 70 | 1,42 | 2,61 | 352,3 | 504 | 2271 |
| 70 | 2,13 | 1,74 | 235,3 | 799 | 2500 |
| 81 | 2,57 | 1,66 | 194,4 | 827 | 2500 |
| 91 | 3,17 | 1,53 | 157,9 | 872 | 2500 |
| 97 | 3,69 | 1,39 | 135,6 | 919 | 2500 |
| 97 | 4,00 | 1,28 | 125,0 | 956 | 2500 |
| 102 | 4,77 | 1,13 | 104,8 | 1006 | 2500 |
| 108 | 5,25 | 1,08 | 95,2 | 1023 | 2500 |

IHR051

| Mn_2 [Nm] | i | Pn_1 [kW] | n2 [rpm] | Fr1 [N] | Fr2 [N] |
|----------------|------|----------------|-------------|------------|------------|
| 108 | 5,82 | 0,98 | 85,9 | 1060 | 2500 |
| 108 | 7,33 | 0,78 | 68,2 | 1128 | 2500 |
| 108 | 8,38 | 0,68 | 59,7 | 1161 | 2500 |

IHR061

| Mn_2 [Nm] | i | Pn_1 [kW] | n2 [rpm] | Fr1 [N] | Fr2 [N] |
|----------------|------|----------------|-------------|------------|------------|
| 108 | 1,34 | 4,23 | 372,1 | 1791 | 3343 |
| 140 | 2,13 | 3,48 | 235,3 | 2002 | 3700 |
| 151 | 2,57 | 3,10 | 194,4 | 2109 | 3700 |
| 151 | 3,17 | 2,51 | 157,9 | 2272 | 3700 |
| 161 | 3,69 | 2,31 | 135,6 | 2328 | 3700 |
| 161 | 4,00 | 2,13 | 125,0 | 2379 | 3700 |
| 172 | 4,77 | 1,91 | 104,8 | 2442 | 3700 |
| 183 | 5,25 | 1,84 | 95,2 | 2460 | 3700 |
| 183 | 5,82 | 1,66 | 85,9 | 2511 | 3700 |
| 183 | 7,33 | 1,32 | 68,2 | 2607 | 3700 |
| 183 | 8,38 | 1,15 | 59,7 | 2653 | 3700 |

IHR081

| Mn_2 [Nm] | i | Pn_1 [kW] | n2 [rpm] | Fr1 [N] | Fr2 [N] |
|----------------|------|----------------|-------------|------------|------------|
| 237 | 1,30 | 9,65 | 385,4 | 536 | 3614 |
| 258 | 1,43 | 9,56 | 350,0 | 560 | 3703 |
| 269 | 1,93 | 7,36 | 258,9 | 1128 | 4000 |
| 317 | 2,54 | 6,60 | 196,7 | 1326 | 4000 |
| 339 | 3,25 | 5,51 | 153,8 | 1609 | 4000 |
| 344 | 3,72 | 4,89 | 134,3 | 1770 | 4000 |
| 344 | 4,00 | 4,55 | 125,0 | 1858 | 4000 |
| 344 | 4,67 | 3,90 | 107,1 | 2027 | 4000 |
| 355 | 5,54 | 3,39 | 90,3 | 2160 | 4000 |
| 366 | 6,08 | 3,18 | 82,2 | 2214 | 4000 |
| 376 | 7,50 | 2,65 | 66,7 | 2350 | 4000 |
| 376 | 8,44 | 2,36 | 59,2 | 2427 | 4000 |

IHR101

| Mn_2 [Nm] | i | Pn_1 [kW] | n2 [rpm] | Fr1 [N] | Fr2 [N] |
|----------------|------|----------------|-------------|------------|------------|
| 473 | 1,29 | 19,36 | 386,8 | 1424 | 4447 |
| 516 | 1,41 | 19,36 | 354,6 | 1424 | 4537 |

IHR101

| Mn_2 [Nm] | i | Pn_1 [kW] | n_2 [rpm] | Fr_1 [N] | Fr_2 [N] |
|----------------|------|----------------|----------------|---------------|---------------|
| 516 | 2,03 | 13,44 | 246,0 | 2202 | 5000 |
| 618 | 2,48 | 13,18 | 201,5 | 2235 | 5000 |
| 656 | 3,27 | 10,60 | 152,8 | 2573 | 5000 |
| 656 | 3,70 | 9,38 | 135,1 | 2734 | 5000 |
| 656 | 4,22 | 8,22 | 118,4 | 2886 | 5000 |
| 667 | 4,88 | 7,23 | 102,6 | 3015 | 5000 |
| 667 | 5,27 | 6,70 | 94,9 | 3086 | 5000 |
| 688 | 6,23 | 5,84 | 80,2 | 3198 | 5000 |
| 699 | 7,55 | 4,90 | 66,3 | 3321 | 5000 |
| 699 | 8,40 | 4,40 | 59,5 | 3387 | 5000 |

IHR121

| Mn_2 [Nm] | i | Pn_1 [kW] | n_2 [rpm] | Fr_1 [N] | Fr_2 [N] |
|----------------|------|----------------|----------------|---------------|---------------|
| 731 | 1,23 | 31,43 | 406,2 | 487 | 5556 |
| 796 | 1,42 | 29,71 | 352,9 | 675 | 5794 |
| 796 | 1,81 | 23,30 | 276,8 | 1378 | 6000 |
| 839 | 2,00 | 22,19 | 250,0 | 1500 | 6000 |
| 882 | 2,48 | 18,81 | 201,6 | 1871 | 6000 |
| 882 | 2,95 | 15,79 | 169,2 | 2202 | 6000 |
| 903 | 3,14 | 15,20 | 159,1 | 2266 | 6000 |
| 914 | 3,58 | 13,51 | 139,7 | 2451 | 6000 |
| 914 | 4,12 | 11,74 | 121,4 | 2645 | 6000 |
| 935 | 4,80 | 10,31 | 104,2 | 2802 | 6000 |
| 946 | 5,21 | 9,60 | 95,9 | 2880 | 6000 |
| 968 | 6,25 | 8,19 | 80,0 | 3035 | 6000 |
| 1075 | 7,70 | 7,39 | 64,9 | 3123 | 6000 |

All supplies effected by MOTOVARIO are governed exclusively by the general terms of sale that you can find on our website:

<http://www.motovario.com/eng/corporate/sales-conditions>

